



US00D965219S

(12) **United States Design Patent**
Li

(10) **Patent No.:** **US D965,219 S**

(45) **Date of Patent:** **** Sep. 27, 2022**

(54) **HAIR CLIP**

(71) Applicant: **Bizhu Li**, Zhaoqing (CN)

(72) Inventor: **Bizhu Li**, Zhaoqing (CN)

(**) Term: **15 Years**

(21) Appl. No.: **29/806,358**

(22) Filed: **Sep. 2, 2021**

(51) **LOC (13) Cl.** **28-03**

(52) **U.S. Cl.**
USPC **D28/40**

(58) **Field of Classification Search**
USPC D28/39, 40, 42, 43
CPC . A45D 8/00; A45D 8/002; A45D 8/14; A45D
8/16; A45D 8/18; A45D 8/20; A45D
8/22; A45D 8/24; A45D 8/30
See application file for complete search history.

(56) **References Cited**

U.S. PATENT DOCUMENTS

D769,525 S	*	10/2016	Coral	D28/40
D918,473 S	*	5/2021	Xiao	D28/40
D923,245 S		6/2021	Liu		
D923,246 S		6/2021	Triulzi et al.		

2004/0231691	A1*	11/2004	Shyu	A45D 8/20 132/277
2009/0255552	A1*	10/2009	Hsu	A45D 8/20 132/277
2021/0022469	A1*	1/2021	Freeman	A45D 8/20

FOREIGN PATENT DOCUMENTS

CN	305923981	S	7/2020
CN	306505715	S	4/2021

* cited by examiner

Primary Examiner — Zenia I Bennett

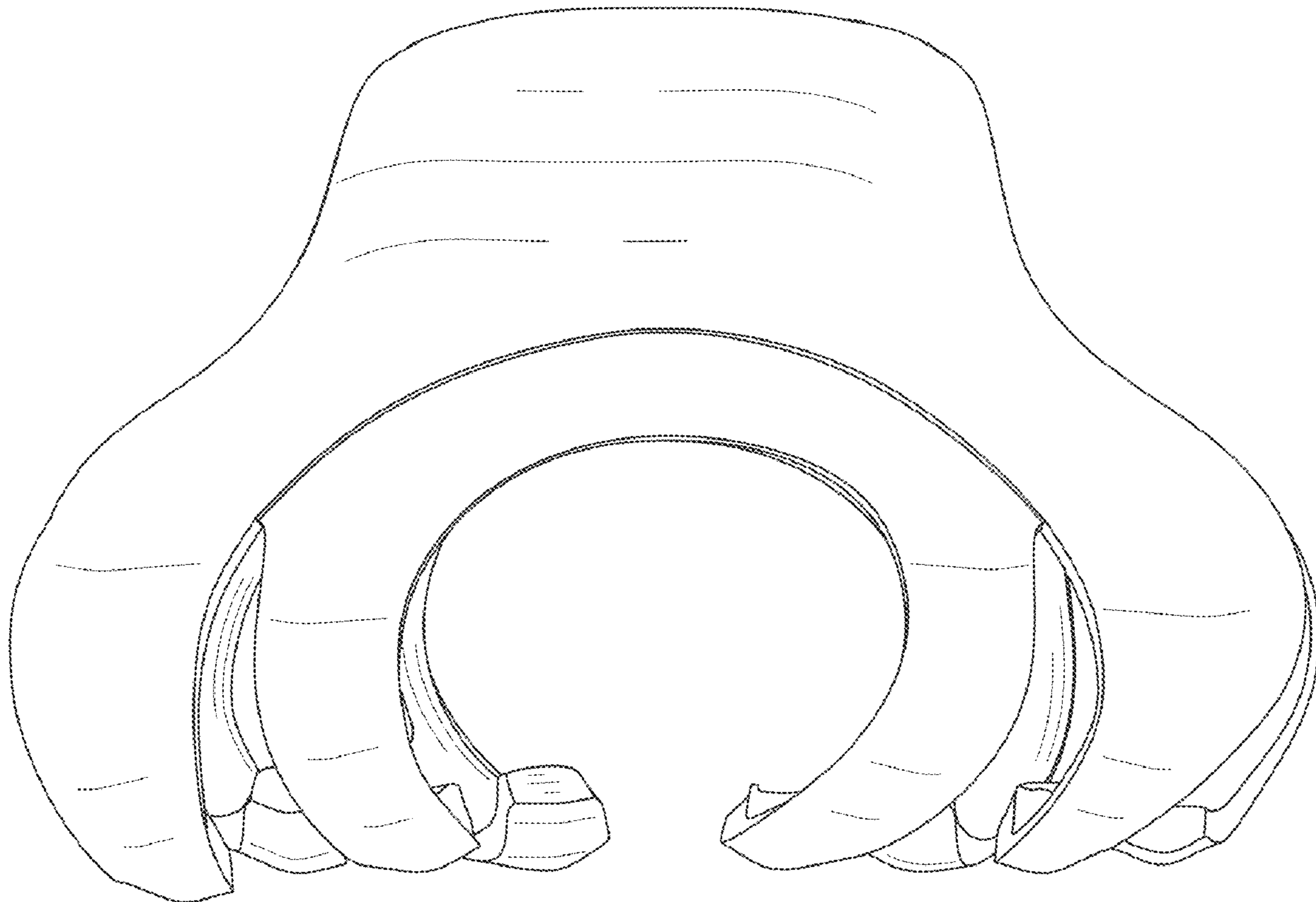
(57) **CLAIM**

The ornamental design for hair clip, substantially as shown and described.

DESCRIPTION

FIG. 1 is a top, front and left side perspective view of hair clip, showing my new design;
FIG. 2 is a front elevational view thereof;
FIG. 3 is a rear elevational view thereof;
FIG. 4 is a left side elevational view thereof;
FIG. 5 is a right side elevational view thereof;
FIG. 6 is a top plan view thereof; and,
FIG. 7 is a bottom plan view thereof.

1 Claim, 7 Drawing Sheets



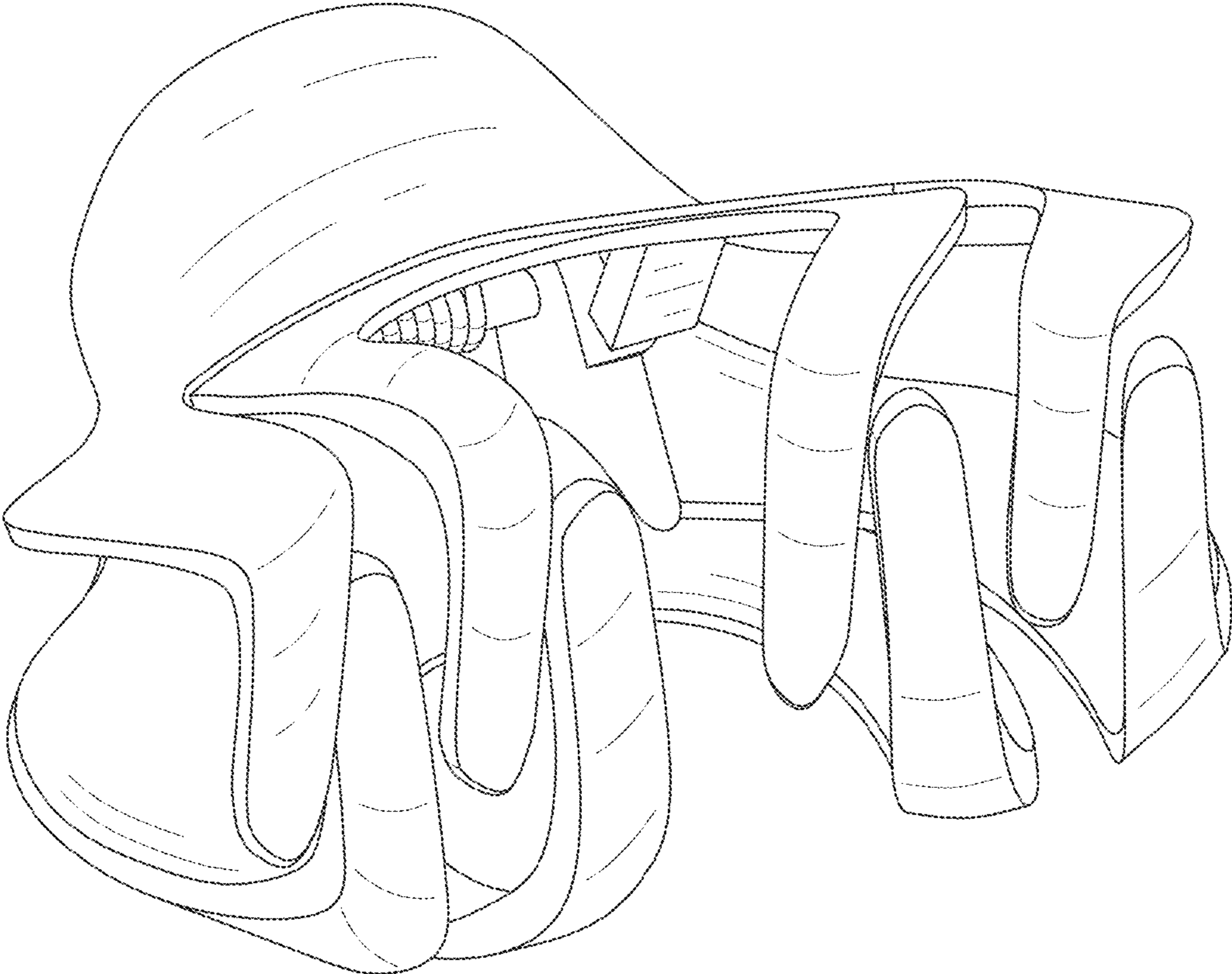


FIG. 1

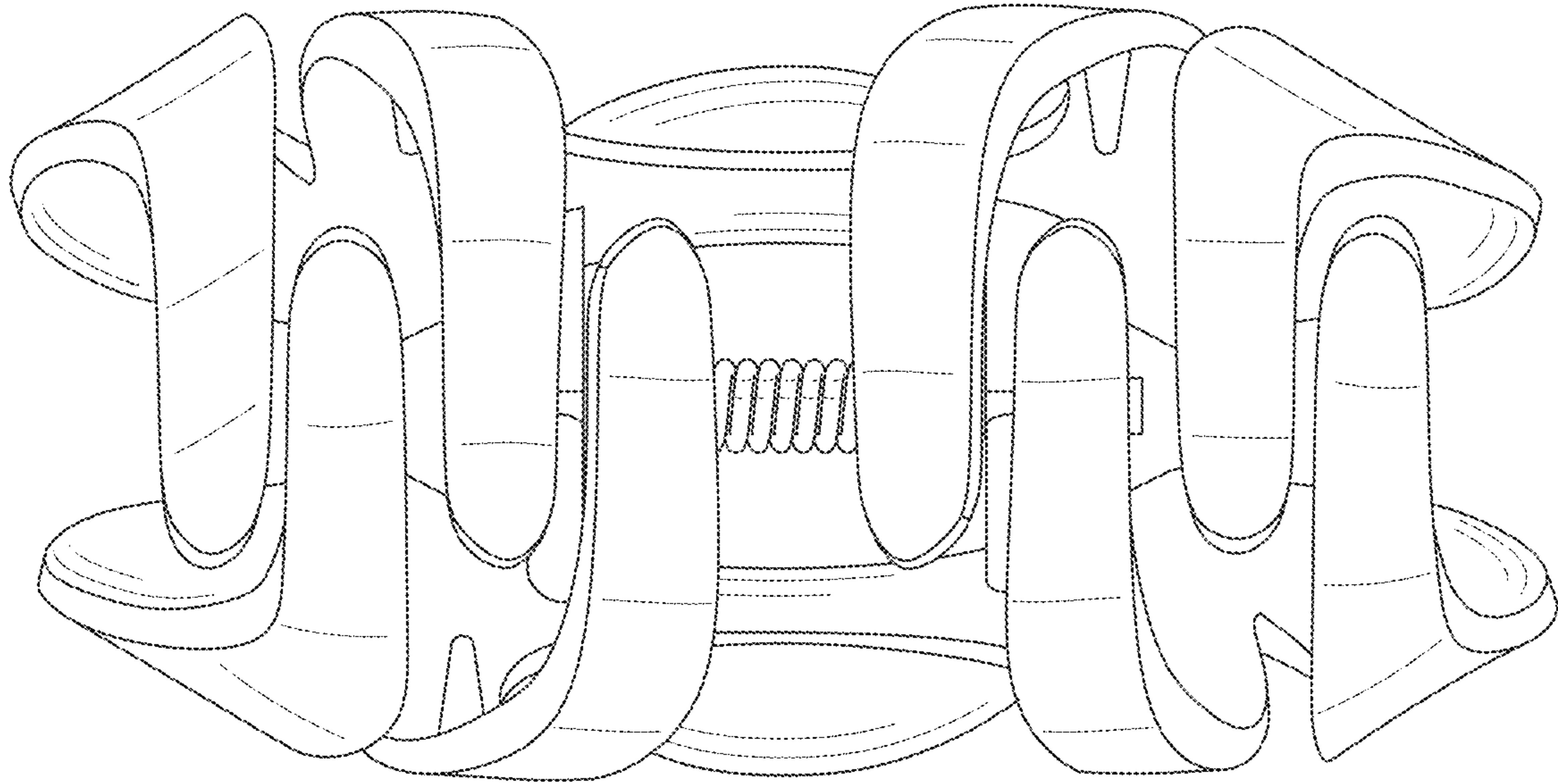


FIG. 2

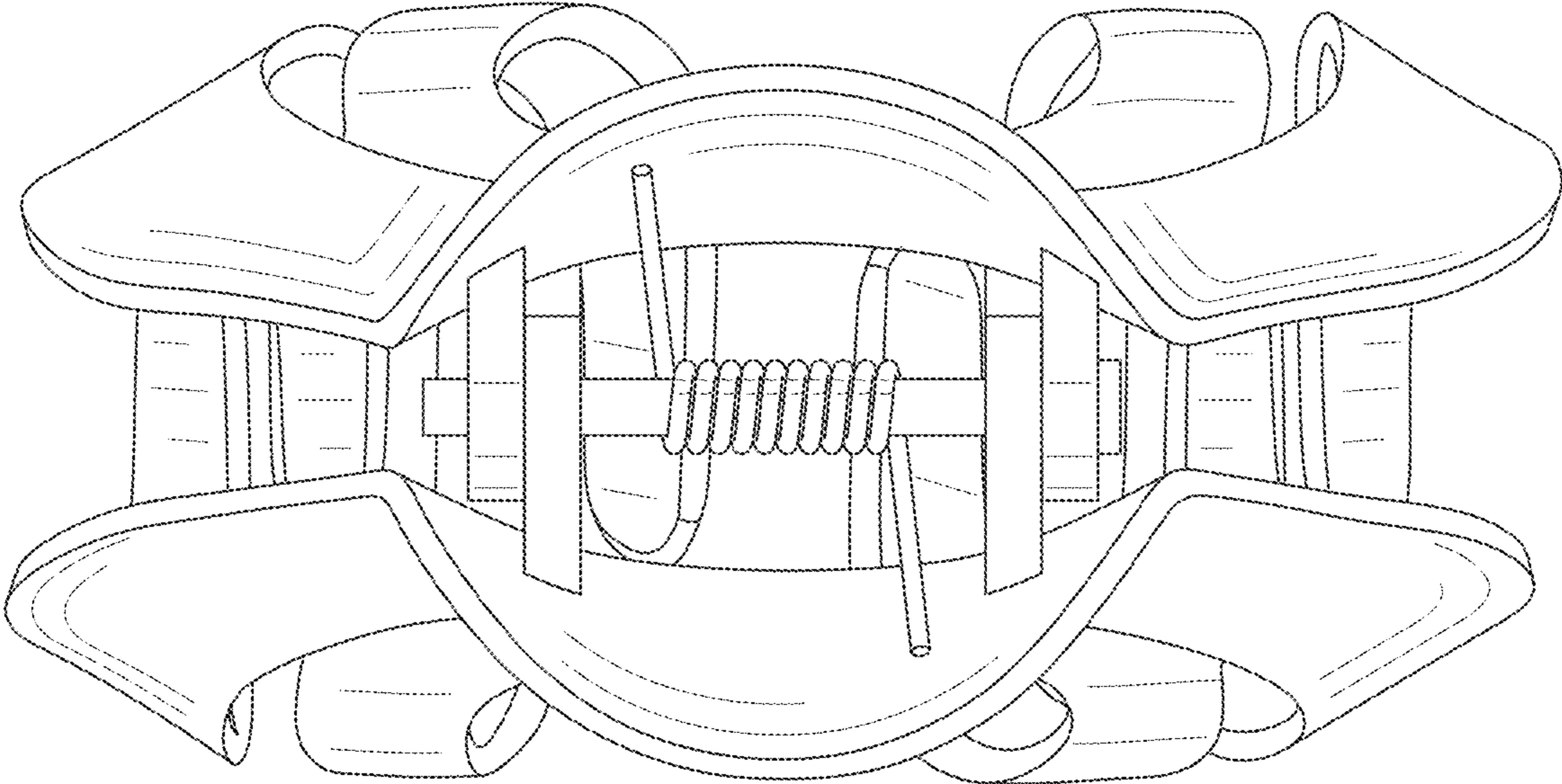


FIG. 3

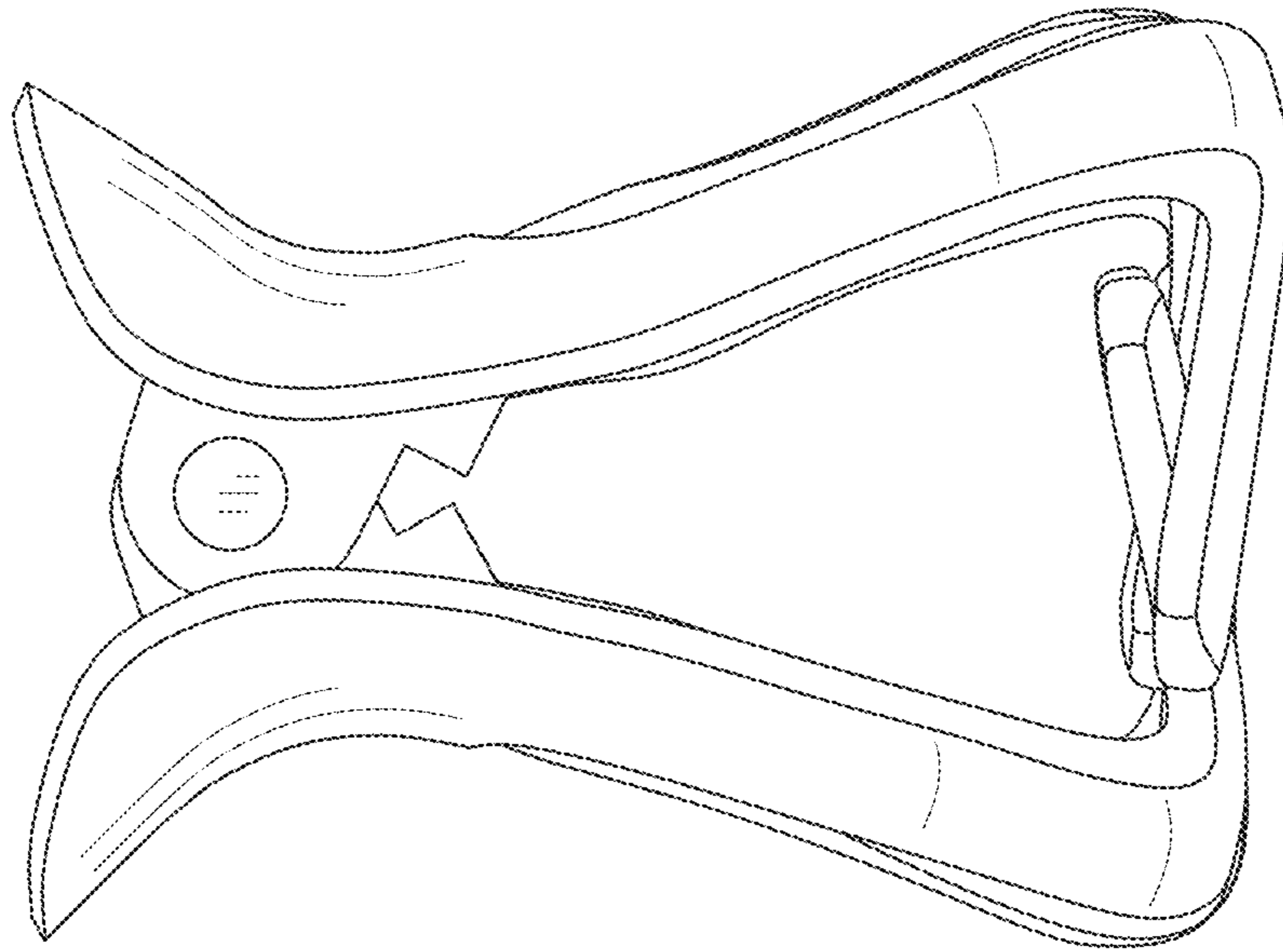


FIG. 4

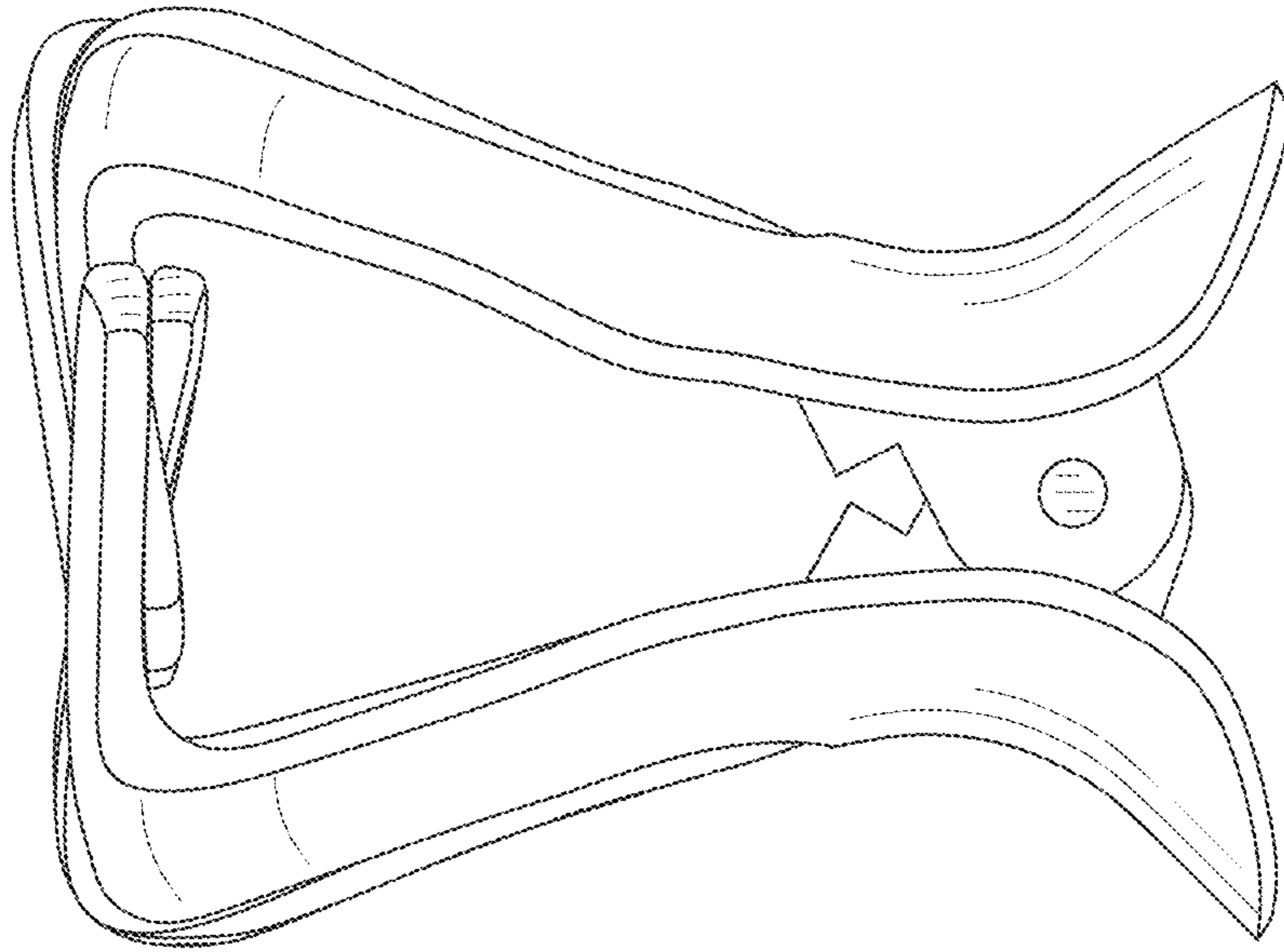


FIG. 5

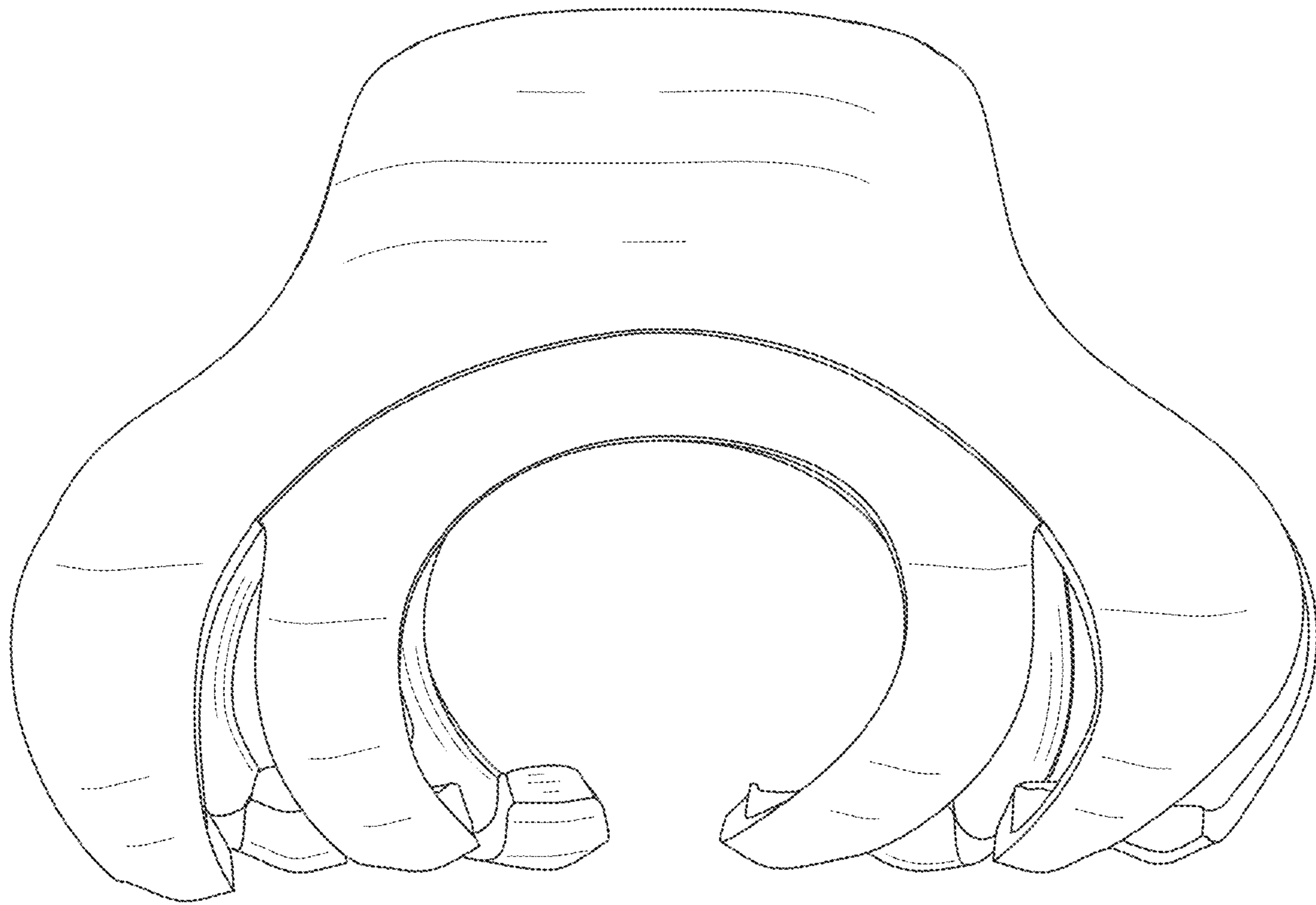


FIG. 6

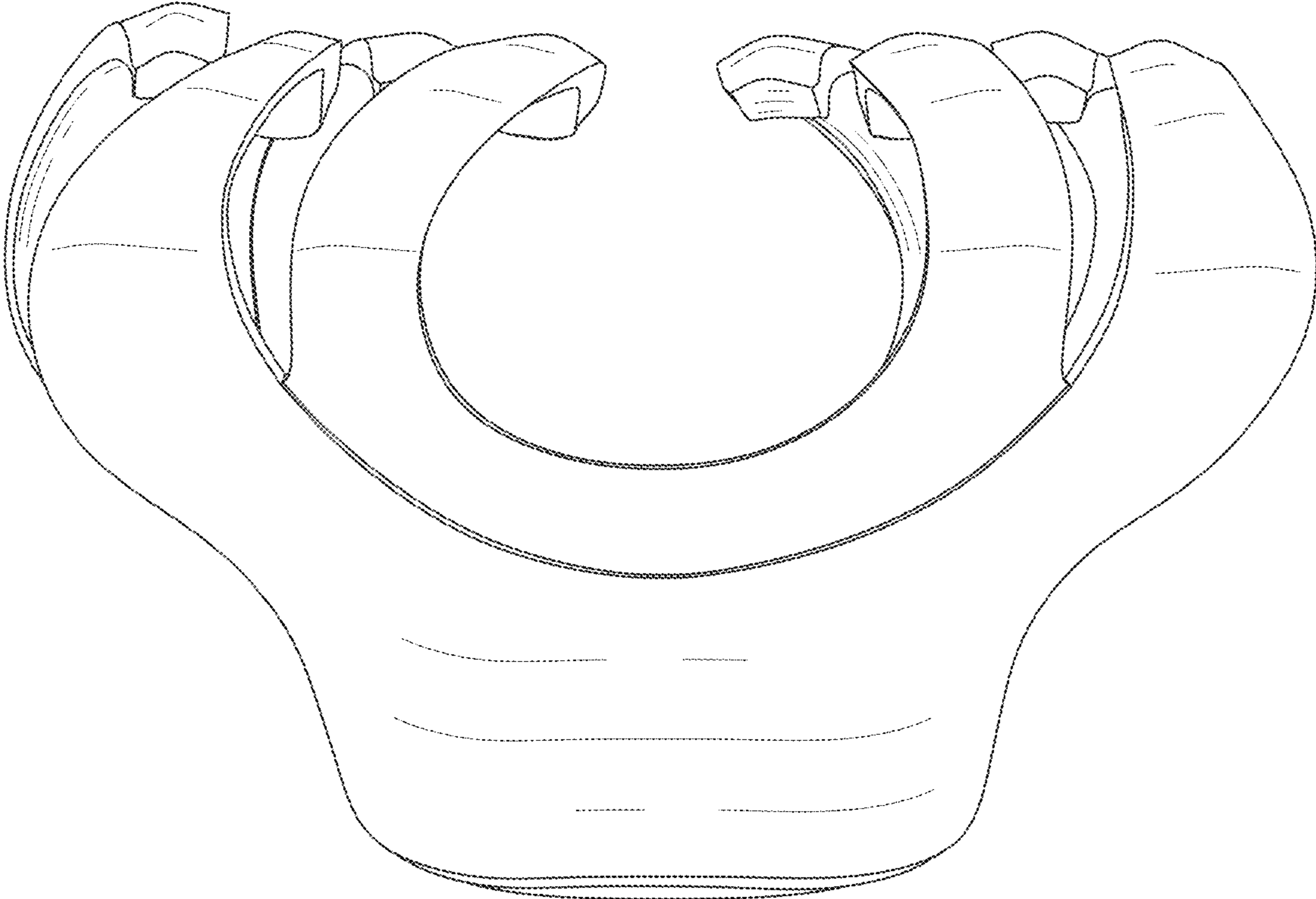


FIG. 7