



US00D965216S

(12) **United States Design Patent** (10) **Patent No.:** **US D965,216 S**
Hoch et al. (45) **Date of Patent:** **** Sep. 27, 2022**

(54) **SMOKING APPARATUS**

FOREIGN PATENT DOCUMENTS

(71) Applicant: **WAREHOUSE GOODS LLC**, Boca Raton, FL (US)

CL 303891842 S 10/2016
CN 200979176 Y 11/2007

(Continued)

(72) Inventors: **Charles Vincent Hoch**, Boca Raton, FL (US); **Bruce A. Hoch**, Boca Raton, FL (US)

OTHER PUBLICATIONS

(73) Assignee: **Warehouse Goods LLC**, Boca Raton, FL (US)

Glass Hand Pipe By: SmokeDay found on line (May 6, 2022) <https://www.smokeday.com/glass-pipes/spoon-pipes/the-galaxy-traveler-4-glass-hand-pipe.html> (Sep. 9, 2020).*

(Continued)

(**) Term: **15 Years**

Primary Examiner — Rebecca Tsehaye

(21) Appl. No.: **29/768,816**

(74) *Attorney, Agent, or Firm* — Ryan Dean; Umberg Zipser LLP

(22) Filed: **Feb. 1, 2021**

(57) **CLAIM**

The ornamental design for a smoking apparatus, as shown and described.

Related U.S. Application Data

DESCRIPTION

(63) Continuation of application No. 29/718,031, filed on Dec. 20, 2019, now Pat. No. Des. 909,671, which is a continuation of application No. 29/658,714, filed on Aug. 2, 2018, now Pat. No. Des. 872,357, which is a continuation of application No. 29/604,098, filed on May 15, 2007, now Pat. No. Des. 825,101.

FIG. 1 is a perspective view of a smoking apparatus in accordance with the present invention.

(51) **LOC (13) Cl.** **27-02**
(52) **U.S. Cl.**
USPC **D27/163**

FIG. 2 is a left side elevation view of the smoking apparatus of FIG. 1.

(58) **Field of Classification Search**
USPC D27/162–169, 194; D8/300, 301, 303, D8/310, 314, 321

FIG. 3 is a right side elevation view of the smoking apparatus of FIG. 1.

(Continued)

FIG. 4 is a rear elevation view of the smoking apparatus of FIG. 1.

(56) **References Cited**

U.S. PATENT DOCUMENTS

D2,505 S 11/1866 Harry
214,586 A 4/1879 Riedel

FIG. 5 is a front elevation view of the smoking apparatus of FIG. 1.

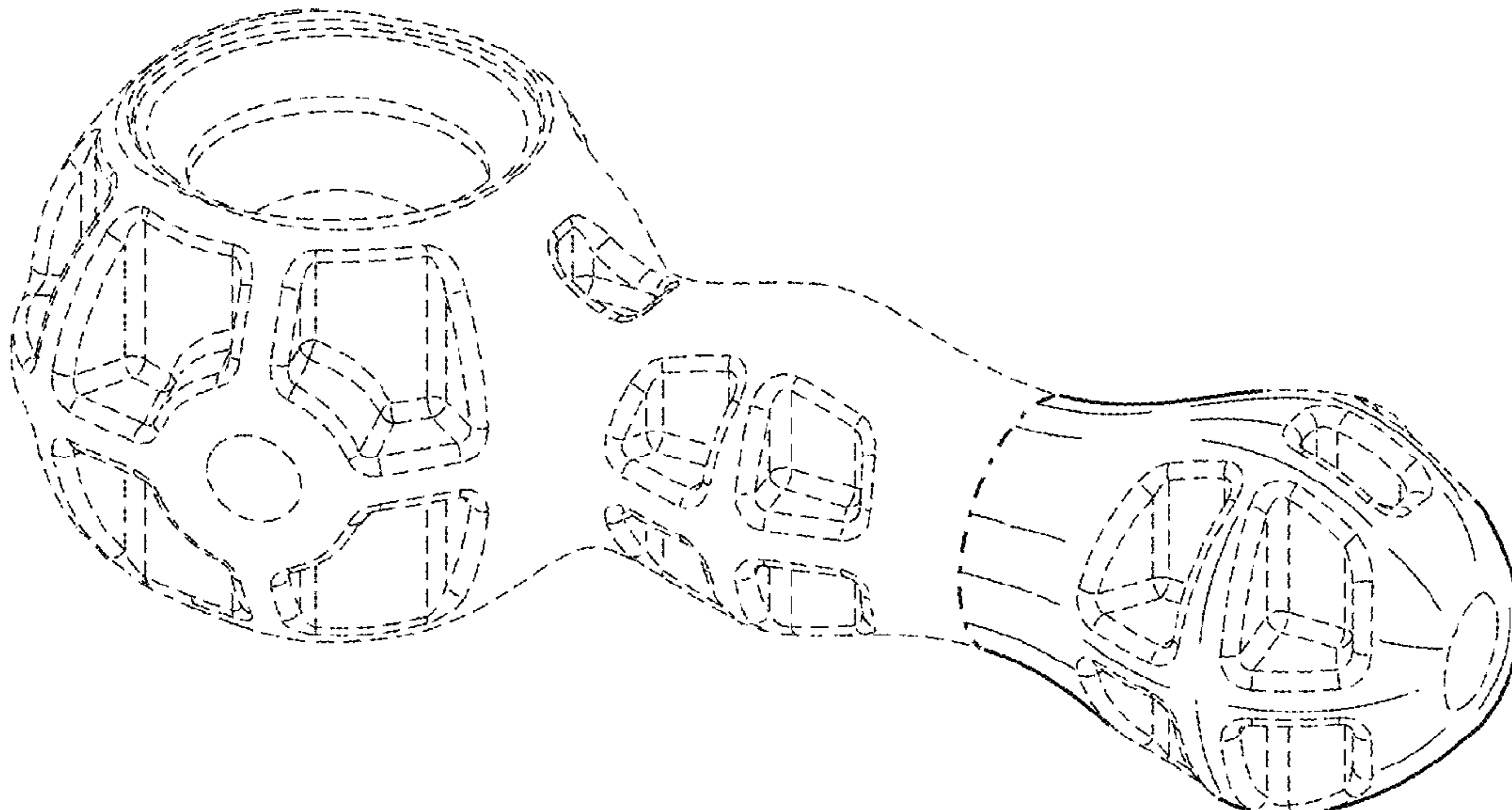
(Continued)

FIG. 6 is a top plan of the smoking apparatus of FIG. 1.

FIG. 7 is a bottom plan of the smoking apparatus of FIG. 1; and,
FIG. 8 is an exploded view of the smoking apparatus of FIG. 1 shown in an exemplary environment with accessories.

The features shown in broken lines in the figures indicate environment only and form no part of the claimed design. The dot-dash line in the figures indicates a boundary and the area within forms no part of the claimed design.

1 Claim, 5 Drawing Sheets



(58) **Field of Classification Search**
 CPC A24F 1/00; A24F 1/30
 See application file for complete search history.

(56) **References Cited**
 U.S. PATENT DOCUMENTS

895,626 A 8/1908 Geltz
 945,973 A 1/1910 Miles et al.
 1,051,328 A 1/1913 Harnes et al.
 D54,831 S 4/1920 Campbell
 1,617,113 A 2/1927 Hirschl
 D74,334 S 1/1928 Sorbello
 1,881,793 A 10/1932 Mariani
 1,967,438 A 7/1934 Hartzes
 1,987,407 A 1/1935 McAllister
 2,040,704 A 5/1936 Modine
 D100,535 S 7/1936 Ackerman
 D102,406 S 12/1936 Altizer et al.
 D102,637 S 1/1937 Millsap
 D111,276 S 9/1938 Cippico
 2,192,448 A 3/1940 Lingo
 D122,042 S 4/1940 Bressle
 D120,674 S 5/1940 Miller
 D126,132 S 3/1941 Harris
 D127,324 S 5/1941 Leser
 D131,197 S 1/1942 Leser
 D132,045 S 4/1942 Borger
 D132,046 S 4/1942 Borger
 D132,561 S 5/1942 Clements
 2,285,057 A 6/1942 Russell
 2,325,412 A 7/1943 Martin
 2,335,087 A 11/1943 Schimer
 2,385,312 A 9/1945 Swift
 D142,572 S 10/1945 Leipper
 D142,760 S 10/1945 Wyse
 2,387,381 A 10/1945 Zuckerman
 D142,922 S 11/1945 Von Rosenberg
 D143,423 S 1/1946 Goulston
 D143,593 S 1/1946 Hollenbeck
 D144,346 S 4/1946 Ash
 D146,209 S 1/1947 Baxter
 D147,035 S 7/1947 Chistensen
 D150,219 S 7/1948 Furedy et al.
 D152,369 S 1/1949 Sampson
 D154,917 S 8/1949 Galashek
 D159,295 S 7/1950 Park
 2,529,278 A 11/1950 Bowers
 2,628,622 A 2/1953 Smith
 2,637,327 A 5/1953 Nadelson
 D170,257 S 8/1953 Francken
 D171,694 S 3/1954 Gevirman
 D172,008 S 4/1954 David
 D176,221 S 11/1955 Lieber
 D177,036 S 3/1956 Gavirman
 D177,226 S 3/1956 Gevirman
 D177,321 S 4/1956 Gevirman
 D177,602 S 5/1956 Wang
 D177,952 S 6/1956 Wang
 D178,959 S 10/1956 Hodgkins
 D179,116 S 11/1956 Bugg
 D179,117 S 11/1956 Bugg
 D179,179 S 11/1956 Atkins
 D179,373 S 12/1956 Berenson
 2,807,816 A 10/1957 O'Brien
 2,827,059 A 3/1958 Czap
 2,864,382 A 12/1958 Hercules
 2,884,931 A 5/1959 Fred
 3,091,246 A 5/1963 Mahieux
 D199,552 S 11/1964 Brenson
 D201,104 S 5/1965 Du Pree
 3,209,764 A 10/1965 Shih
 D203,430 S 1/1966 Chernock
 D203,914 S 2/1966 Fassbender
 D204,922 S 5/1966 Jeannin
 3,308,834 A 3/1967 Wideen-Furedy
 D207,376 S 4/1967 Chernock

D212,179 S 9/1968 Chernock
 D217,520 S 5/1970 Gordon
 D219,566 S 12/1970 Fish
 3,669,127 A 6/1972 Owends
 D224,760 S 9/1972 Chernack
 D229,726 S 12/1973 Finn
 3,792,705 A 2/1974 Frederick
 D231,640 S 5/1974 Kahler
 D233,863 S 12/1974 Keidl et al.
 3,881,499 A 5/1975 McFadden et al.
 3,882,875 A 5/1975 Frost
 D240,541 S 7/1976 Rupert
 D240,542 S 7/1976 Murray, Jr.
 D240,938 S 8/1976 Kahler
 4,031,905 A 6/1977 Dunn
 D246,391 S 11/1977 Lefkow
 D246,604 S 12/1977 Frost
 D247,255 S 2/1978 Frost
 D247,408 S 3/1978 Ventura
 D248,572 S 7/1978 Graham
 D248,671 S 7/1978 Graham
 D249,070 S 8/1978 Evans
 D249,281 S 9/1978 Graham
 D249,282 S 9/1978 Nielsen
 4,111,213 A 9/1978 Shanto et al.
 D249,896 S 10/1978 Graham
 4,146,042 A 3/1979 Maiorana
 4,164,949 A 8/1979 Diven
 4,171,703 A 10/1979 Locke
 D253,848 S 1/1980 Karp
 4,187,885 A 2/1980 Kahler et al.
 D254,510 S 3/1980 Shaak
 4,223,686 A 9/1980 Murray, Jr.
 D258,012 S 1/1981 Murphy
 D258,013 S 1/1981 Murphy
 4,253,475 A 3/1981 Schreiber et al.
 D261,439 S 10/1981 Sher
 D261,689 S 11/1981 Weglein
 D261,690 S 11/1981 Murray, Jr.
 D262,144 S 12/1981 Sher
 D262,672 S 1/1982 Iten et al.
 D264,885 S 6/1982 Irelan
 D265,595 S 7/1982 Galanter
 D265,766 S 8/1982 Sher
 D273,713 S 5/1984 Sher
 D273,714 S 5/1984 Sher
 D273,715 S 5/1984 Sher
 D276,377 S 11/1984 Martin
 D287,668 S 1/1987 Kelly et al.
 D295,921 S 5/1988 Roman et al.
 4,788,988 A 12/1988 Titus
 4,812,070 A 3/1989 Marty
 D304,625 S 11/1989 Katayama
 D304,771 S 11/1989 Katayama
 D305,804 S 1/1990 Browning
 D325,472 S 4/1992 Premack
 D342,805 S 12/1993 Heins et al.
 5,316,401 A 5/1994 Sears
 D349,065 S 7/1994 West
 D350,411 S 9/1994 Heine
 D358,227 S 5/1995 Heine
 D358,228 S 5/1995 Heine
 5,476,110 A 12/1995 Baig et al.
 D368,324 S 3/1996 Heine
 D368,325 S 3/1996 Heine
 D369,026 S 4/1996 Furbert et al.
 D371,632 S 7/1996 Truelove
 D376,033 S 11/1996 Heine
 D387,476 S 12/1997 Chambers
 D401,071 S 11/1998 Laster
 5,908,031 A 6/1999 Clark et al.
 RE36,254 E 7/1999 Newman
 D413,002 S 8/1999 Melograno
 5,967,147 A 10/1999 Newman
 5,993,748 A 11/1999 Wheeler
 RE36,523 E 1/2000 Newman
 6,035,477 A 3/2000 Robert
 6,067,993 A 5/2000 Mahoney, III
 D436,686 S 1/2001 Fujisawa

(56)

References Cited

U.S. PATENT DOCUMENTS

D438,708 S 3/2001 Weiner
 D442,327 S 5/2001 Neason
 D442,329 S 5/2001 Najar et al.
 D443,103 S 5/2001 Neason
 D443,950 S 6/2001 Neason
 6,270,278 B1 8/2001 Mauro
 D456,607 S 5/2002 Carlucci et al.
 6,418,936 B1 7/2002 Lee
 6,598,256 B2 7/2003 Theriault
 D480,216 S 10/2003 Weihrauch
 D485,639 S 1/2004 Stronski
 6,745,777 B2 6/2004 Liu
 D532,892 S 11/2006 Koon
 D539,978 S 4/2007 Kassir
 D542,115 S * 5/2007 Hanna D8/310
 D542,968 S 5/2007 Guan
 D543,312 S 5/2007 Guan
 D547,125 S 7/2007 Wasserman et al.
 D547,489 S 7/2007 Kassir
 D548,398 S 8/2007 Chaoui
 D552,790 S 10/2007 Catron et al.
 D554,797 S 11/2007 Kassir
 D558,370 S 12/2007 Mohammed
 D558,919 S 1/2008 Kassir
 D561,388 S 2/2008 Kassir
 D566,328 S 4/2008 Catron
 D582,094 S 12/2008 Lee
 D584,853 S 1/2009 Kassir
 D585,263 S * 1/2009 Jou D8/305
 D608,097 S 1/2010 Zanjani et al.
 D617,939 S 6/2010 Mansour et al.
 D617,940 S 6/2010 Mansour et al.
 D618,389 S 6/2010 Masri
 D625,851 S 10/2010 Furner et al.
 D633,660 S * 3/2011 Cooke D30/156
 D634,065 S 3/2011 Borushek et al.
 D636,849 S 4/2011 Yoo et al.
 D638,984 S 5/2011 Gould
 D649,700 S 11/2011 Mehio
 D650,520 S 12/2011 Timmermans
 D658,807 S 5/2012 Aboushi
 8,342,768 B1 1/2013 Johnston et al.
 D679,980 S * 4/2013 Ramsland D8/305
 D684,313 S 6/2013 Wu
 8,490,629 B1 7/2013 Shenassa et al.
 D692,548 S 10/2013 Wirz
 D692,550 S 10/2013 Wirz
 D699,037 S 2/2014 Morrison
 D710,984 S 8/2014 Hsiao
 D711,522 S 8/2014 Hsiao
 D711,523 S 8/2014 Hsiao
 D711,524 S 8/2014 Hsiao
 D711,656 S 8/2014 Brewer et al.
 D715,553 S 10/2014 Brewer et al.
 D717,994 S 11/2014 Alima
 D722,720 S 2/2015 Garbo
 8,955,521 B1 2/2015 Hanson
 8,973,585 B2 3/2015 Goldstein
 D726,364 S 4/2015 Weigensberg
 D726,365 S 4/2015 Weigensberg
 D728,854 S 5/2015 Siniakov
 D729,976 S 5/2015 Mehio
 D733,280 S 6/2015 Bourne
 D736,644 S 8/2015 Hamilton
 D739,601 S 9/2015 Bahbah
 D740,681 S 10/2015 Hamilton
 D741,003 S 10/2015 Von Schoultz
 D742,587 S 11/2015 Masri
 D743,098 S 11/2015 Hehir
 D745,738 S 12/2015 Abdelmaseh
 D745,739 S 12/2015 Abadi et al.
 D745,994 S 12/2015 Hanna
 D749,262 S 2/2016 Schoenfeld
 D751,755 S 3/2016 Van Riper
 D754,392 S 4/2016 Helou

D754,914 S 4/2016 Helou
 D754,915 S 4/2016 Helou
 D754,918 S 4/2016 Jergenson
 D755,439 S 5/2016 Helou
 D757,355 S 5/2016 Al Arja et al.
 D757,357 S 5/2016 Helfrich
 D758,003 S 5/2016 Merwin
 D758,648 S 6/2016 Wu
 D759,305 S 6/2016 Gamble, Jr. et al.
 D762,004 S 7/2016 Kesselman
 D768,917 S 10/2016 Salem
 D783,209 S 4/2017 Morris
 D785,236 S 4/2017 Elhalwani
 D787,715 S 5/2017 Nechita et al.
 D790,123 S 6/2017 Beer et al.
 D790,124 S 6/2017 Beer et al.
 D790,125 S 6/2017 Beer et al.
 D790,767 S 6/2017 Rush et al.
 9,700,198 B1 7/2017 Olson
 D802,727 S 11/2017 Cabrera
 9,848,637 B2 12/2017 Haddad
 D806,945 S 1/2018 Lepper
 D807,578 S 1/2018 Barkowski
 D809,193 S 1/2018 Mcintyre et al.
 D818,639 S 5/2018 Kayvon et al.
 9,955,722 B2 5/2018 Reyes et al.
 D820,516 S 6/2018 Swanson et al.
 D825,101 S * 8/2018 Hoch D27/162
 D825,839 S 8/2018 Rhoades
 D832,502 S 10/2018 Durand
 D838,409 S 1/2019 Reimann
 D864,478 S * 10/2019 Reimann D27/168
 D872,357 S * 1/2020 Hoch D27/194
 D909,671 S * 2/2021 Hoch D27/162
 D926,364 S * 7/2021 Folmann D27/163
 11,058,148 B2 * 7/2021 Hoch B29C 45/14819
 D932,688 S * 10/2021 Shigapov D27/162
 2003/0146360 A1 8/2003 Steinmetz et al.
 2006/0086364 A1 4/2006 Liu
 2006/0207621 A1 9/2006 Shraiber
 2007/0034219 A1 2/2007 Affinito
 2007/0071542 A1 3/2007 Cicero
 2009/0258117 A1 10/2009 Lee et al.
 2011/0005533 A1 1/2011 Evans
 2011/0167836 A1 7/2011 Zorovich et al.
 2012/0006970 A1 1/2012 Evans et al.
 2012/0200079 A1 8/2012 Williams
 2012/0205331 A1 8/2012 Stejskal et al.
 2013/0032159 A1 2/2013 Capuano
 2013/0104738 A1 5/2013 Goldstein
 2014/0130812 A1 5/2014 Kling et al.
 2014/0182604 A1 7/2014 Hutton
 2014/0326256 A1 11/2014 Mckay
 2014/0338679 A1 11/2014 Gransar
 2015/0068540 A1 3/2015 Hoch et al.
 2015/0167884 A1 6/2015 King et al.
 2015/0181931 A1 6/2015 Hoover et al.
 2015/0257443 A1 9/2015 Rado
 2015/0342250 A1 12/2015 Hoch et al.
 2016/0249678 A1 9/2016 Katz
 2016/0295911 A1 10/2016 Kalousek
 2017/0055579 A1 3/2017 Kuna et al.
 2017/0056607 A1 3/2017 Jones
 2017/0099872 A1 4/2017 Reimann
 2017/0099874 A1 4/2017 Reimann
 2017/0105447 A1 4/2017 Gay
 2017/0143035 A1 5/2017 Pucci
 2017/0361040 A1 12/2017 Trzeciecki
 2018/0027872 A1 2/2018 Galaviz, Jr.

FOREIGN PATENT DOCUMENTS

CN 300807820 7/2008
 CN 3010373742 12/2009
 CN 301146305 2/2010
 CN 302311386 S 1/2013
 CN 302311389 1/2013
 CN 302343695 3/2013
 CN 203646495 U 6/2014

(56)

References Cited

FOREIGN PATENT DOCUMENTS

CN	302933191	S	9/2014
CN	302996416		11/2014
CN	303120981		3/2015
CN	303322979	S	8/2015
CN	303350916	S	8/2015
CN	303417590		10/2015
CN	303544998		1/2016
CN	303574257		1/2016
CN	303781526	S	8/2016
CN	303865031	S	9/2016
CN	303972355	S	9/2016
CN	303939468	S	11/2016
CN	304133137	S	5/2017
CN	206294887	U	7/2017
CN	304195595	S	7/2017
CN	304355617	S	11/2017
CN	304355618	S	11/2017
CN	304790175	S	8/2018
CN	304840656	S	10/2018
CN	304947931	S	12/2018
CN	304982670	S	1/2019
EM	000855317-0002		2/2008
EM	002198838-0002		5/2013
EM	002546481-0002		10/2014
JP	D1478668		8/2013
JP	D1537305		10/2015

OTHER PUBLICATIONS

Entry Single Cylinder Door Knob By: Summary found on line (May 7, 2022) [https://www.build.com/product/summary/1113667?uid=2670991&jmtest=gg-gbav2_2670991&inv=1&&source=\(2020\).](https://www.build.com/product/summary/1113667?uid=2670991&jmtest=gg-gbav2_2670991&inv=1&&source=(2020).)*
 10" Tall Gilded Glass Pink Slyme Concentrate Water Pipe w/ Shower-Head to Vortex Pere / Headshop Hub; Dec. 7, 2017 <https://headshophub.com/10-tall-gilded-glass-pink-slyme-concentrate-water-pipe-w-showerhead-to-vortex-perc>, 3 pages.
 11" Dual Honeycomb Elbow Sidecar Water Pipe / 4 Aces Wholesale; Dec. 7, 2017 <https://4aceswholesale.com/11-Dual-Honeycomb-Elbow-Sidecar-Water-Pipe>, 2 pages.
 12; Dec. 19, 2017; <https://www.funkypiece.com/Grav-Labs-Aqua-Green-Spoon-Pipep/1208.htm>; 8 pages.
 127; Dec. 19, 2017; https://www.artfire.com/ext/shop/product_view/LeoGlassworks/12723637/bb8_marble_blue_spoon_pipe; 3 pages.
 2015-new-spoon-pipe-glass-handy-; Dec. 19, 2017; <https://www.dhgate.com/product/2015-new-spoon-pipe-glass-handy-pipeglass/240336898.html>; 3 pages.
 2016-new-arrival-smoking-pipe-gl; Dec. 19, 2017; <https://www.dhgate.com/product/2016-new-arrival-smoking-pipe-glassspoon/373506482.html>; 3 pages.
 2018 22cm Tall Mobius Matrix Sidecar Glass Bubbler Pipe Bubbler Glass Bong Vase Per . . . /DHGate.com; Dec. 7, 2017 <https://www.dhgate.com/product/22cm-tall-mobius-matrix-sidecar-glassbubbler/385497852.html>, 3 pages.
 2018 Glass Oil Rigs with 4mm Quartz Banger Nail Thick Glass Bongs Male Joint 14.5mm Bubbler Dab Rig; Dec. 11, 2017 <https://www.dhgate.com/product/toro-glass-oil-rigs-with-4mm-quartzbanger/384573278.html#s1-0-1b;srpl0418288305>, 3 pages.
 2018 Hot Sell Sidecar Glass Bong Water Pipe Smoking Pipe Water Pipe Bongs With Fritt . . . /DHGate.com; Dec. 7, 2017 <https://www.dhgate.com/product/hot-sell-glass-bong-glass-smoking-pipe-with/205698028.html>, 3 pages.
 2018 Mini Hookah Glass Bongs Sidecar Design Snowman Bong Dab Rigs 14.5 Male Join . . . /DHGate.com; Dec. 7, 2017 <https://www.dhgate.com/product/mini-hookah-glass-bongs-sidecar-designsnowman/406309950.html#s1-5-1;disc13599369937>, 4 pages.
 420 Science "Kargo 2" Sidecar Bubbler / Smoke Cartel Dec. 8, 2017, <https://www.smokecartel.com/products/420-science-kargo-2-sidecar-bubbler>, 7 pages.

5-black-white-dichro-he; Dec. 19, 2017; <https://www.pipesbyga.com/product-page/5-black-white-dichro-heavy-glass-spoon-pipe>; 1 page.
 7" Stemless + Honeycomb + Showerhead + Sidecar water pipe/ rig / 420 Glass City; Dec. 7, 2017 http://www.420glasscity.com/7-STEMLESS-HONEYCOMB-SHOWERHEAD-SIDECAR-waterpipe-rig_p_300.html, 3 pages.
 AEON Glass by Jhanpixel / p. 18/ FC Vaporizer Review Form, FuckCombustion; Dec. 11, 2017 <http://fuckcombustion.com/threads/aeon-glass-by-jhanpixel.7673/page-18>, 19 pages.
 AMG Red Eye Design Showerhead Sidecar Oil Rig for sale / KING's Pipe; Dec. 7, 2017 <https://www.kings-pipe.com/AMG-red-eye-showerhead-sidecar-oil-rig-p/wp-196.htm>, 6 pages.
 Best-spoon-pipes-reviewed; Dec. 19, 2017; <https://collegeofcannabis.com/reviews/best-spoon-pipes-reviewed/>; 4 pages.
 Big-spoon-pipe-octopus-starfish; Dec. 19, 2017; <https://www.bongin.com/big-spoonpipe-octopus-starfish>; 3 pages.
 Black-pokemon-go-mystic-4inch-spoon-pipe-on; Dec. 19, 2017; <http://chicpipe.com/black-pokemon-go-mystic-4inch-spoon-pipe-online-for-salep529711.html>; 3 pages.
 Borodirect Sandblasted Stemline Perc Rig with Sidecar Mouthpiece / Cloud Chasers; Dec. 8, 2017 <https://www.cloudchasers.com/products/borodirect-sandblasted-stemline-perc-rig-with-sidecarmouthpiece>, 7 pages.
 Cheech-water-pipes-glass-honey-c; Dec. 19, 2017; <https://www.dhgate.com/product/cheech-water-pipes-glass-honey-cup-miniglass/216667731.html>; 4 pages.
 China Sidecar rigs mini glass tobacco bubbler bong smoking matrix PERC water pipe oil . . . /Global Sources; Dec. 7, 2017 <http://www.globalsources.com/gso1/I/Bong/p/sm/1149651685.htm#1149651685>, 3 pages.
 China-; Dec. 19, 2017; <http://hfglass.en.made-in-china.com/product/GvIJNacCZFkf/China-Thick-Heady-Tobacco-Wholesale-Smoking-Glass-Pipe-Hookah-Hand-Blown-Spoon-Pipe.html>; 4 pages.
 Classic-green-spoon-marijuana-p; Dec. 19, 2017; <https://archive.theweedlog.com/classic-green-spoon-marijuana-pipe/>; 3 pages.
 Clear 14mm Mini Sidecar Dab Rig/Wicked Sands Glass/Glass & Other Smoking Device.; Explore Sand Glass, Dab Rig, and More!; Dec. 11, 2017 <https://www.pinterest.com/pin/686728643149634849/>, 6 pages.
 Cobalt Sprinkler Dab Rig; Dec. 11, 2017 <https://cloudculturestore.com/products/cobalt-sprinkler-vapor-rig>, 6 pages.
 Color-changing-spoon-pipe-paris; Dec. 19, 2017; <https://www.smoketower.ca/store/color-changing-spoon-pipe-paris-hilton>; 10 pages.
 Color-explosion-big-spo; Dec. 19, 2017; <https://www.water-bongs-glasspipes.com/color-explosion-big-spoon-pipe/d-37046/>; 6 pages.
 Colorful-glass-spoon-pipe-hookah; Dec. 19, 2017; <https://www.dhgate.com/product/colorful-glass-spoon-pipe-hookahs-longglass/385608315.html>; 4 pages.
 Crystal Ball to Pillar Pere Sidecar Bong—Stash Lab Technologies; Dec. 11, 2017 <https://www.stashlabtechnologies.com/products/dankstop-crystal-ball-to-pillar-perc-sidecarbong>, 5 pages.
 Crystal Ball to Pillar Pere Sidecar Bong—Toker Supply; Dec. 11, 2017 <https://www.tokersupply.com/products/crystal-ball-to-pillar-perc-sidecar-bong>, 3 pages.
 Dab Bong with Matrix Perc-Sidecar Bubbler Rig / Hasmoke Online Headshop; Dec. 7, 2017 <https://www.hasmoke.com/Mobius-glass-pipe-with-matrix-perc-18-mm-joint-s157.html>, 5 pages.
 Dankstop—Honeycomb to Turbine Perc Sidecar Water Pipe/ Dr. Piece; Dec. 7, 2017 <http://piecedr.com/shop/dab-rigs-and-oil-rigs/dankstop-honeycomb-to-turbine-perc-sidecarwater-pipe/>, 2 pages.
 Dichro_spoon_color_changing_glass_pipe; Dec. 19, 2017; http://www.gogopipes.com/dichro_spoon_color_changing_glass_pipes.html; 6 pages.
 DoUQjzpBnYRO; Dec. 19, 2017; <http://szbontek.en.made-in-china.com/productgroup/doUQjzpBnYRO/Glass-Hand-pipes-Bubblers-catalog-1.html>; 5 pages.
 Empire Glassworks Hootie Owl Vapor Bong / Grasscity 2017; Dec. 11 https://www.grasscity.com/us_en/empire-glassworks-hootie-owl-vapor-bong.html, 6 pages.
 Eyce-silicone-spoon-pipe_variant=35; Dec. 19, 2017; <https://smokea.com/products/eyce-silicone-spoon-pipe?variant=35536508865>; 8 pages.

(56)

References Cited

OTHER PUBLICATIONS

Eyce-silicone-spoon-pipe-a; Dec. 19, 2017; <http://afgdistribution.com/index.php/eycesilicone-spoon-pipe-assorted-1Opc-display.html>; 1 page.

Glass SideCar WP1895 Water Pipes / GogoPipes.com; Dec. 7, 2017 <http://www.gogopipes.com/sidecar-water-pipes-wp1895.html>, 4 pages.

Glass Pipes-Swirl Spoon Pipes; Dec. 19, 2017; http://www.gogowholesale.com/Glass_Pipes-Swirl_Spoon_Pipes.html; 2 pages.

Glass spoon pipe; Dec. 19, 2017; https://www.etsy.com/market/glass_spoon_pipe; 69 pages.

Glasscity-clear-glass-spoon-pip; Dec. 19, 2017; https://www.grasscity.com/us_en/glasscity-clear-glass-spoon-pipe-with-cane-swirl-3-inch.html; 6 pages.

Glassheads-rainbow-ripper-spoon; Dec. 19, 2017; https://www.grasscity.com/us_en/glassheads-rainbow-ripper-spoon-pipe-with-marblehead.html; 6 pages.

Glass-pipes; Dec. 19, 2017; <https://angiesboutiques.com/pipes/glass-pipes.html>; 17 pages.

Glass-spoon-pipe-green-glass-wi; Dec. 19, 2017; https://www.grasscity.com/us_en/glass-spoon-pipe-green-glass-with-switchbacks-onbowl.html; 6 pages.

Glass-Spoon-Pipe-Green-Honeycomb; Dec. 19, 2017; <http://www.cheappipesbongs.com/Glass-Spoon-Pipe-Green-Honeycomb-with-Handlep346035.html>; 7 pages.

Glass-spoon-pipe-heavy-gold-f; Dec. 19, 2017; <https://mamarijuana.com/926/bongs/glass-spoon-pipe-heavy-gold-fume-small-heartreview/>; 2 pages.

Glass-spoon-pipe-roll-stopper-carb; Dec. 19, 2017; <https://shadedco.com/product/glass-spoon-pipe-roll-stopper-carb-hole/>; 4 pages.

Glass-spoon-pipes; Dec. 19, 2017; <https://www.badassglass.com/glass-spoonpipes.html>; 16 pages.

Glass-spoon-pipe-sandbla; Dec. 19, 2017; <https://www.etsy.com/listing/165903284/glass-spoon-pipe-sandblasted-spoon>; 3 pages.

Glass-spoons-pipes; Dec. 19, 2017; <https://www.everyonedoesit.com/collections/glassspoons-pipes>; 19 pages.

Goo Roo Designs Sidecar Rig / Uncle Ikes Glass & Goods; Dec. 7, 2017 <https://uncleikesglassandgoods.com/product/goo-roo-designs-sidecar-rig-2/>, 4 pages.

Grav-Labs-Clear-Blue-Glass-Spoon-Pip; Dec. 19, 2017; <https://www.funkypiece.com/Grav-Labs-Clear-Blue-Glass-Spoon-Pipe-p/1217.htm>; 8 pages.

Grav-Labs-Two-Foot-Spoon-Pipes-f; Dec. 19, 2017; <http://www.cheappipesbongs.com/Grav-Labs-Two-Foot-Spoon-Pipes-for-Tobaccop346728.html>; 10 pages.

G-spot-glass-spoon-pipe-red-fr; Dec. 19, 2017; https://www.grasscity.com/int_en/gspot-glass-spoon-pipe-red-frit-with-blue-stripe.html; 6 pages.

Heady-spoon-pipe-flower-hand-pip; Dec. 19, 2017; <https://www.dhgate.com/product/heady-spoon-pipe-flower-hand-pipes-forsmoking/397847829.html>; 4 pages.

Hitman Glass E-nail Sidecar Rig / HellaWicked Inc.; Dec. 8, 2017 <https://www.hellawicked.com/hitman-glass-e-nail-sidecar-rig>, 2 pages.

Honeycomb to Tornado Pere Sidecar Glass Water Pipe / KING's Pipe Online Headshop; Dec. 7, 2017 <https://www.kings-pipe.com/honeycomb-ttornado-sidecar-water-pipe-p/wp-242.htm>, 7 pages.

Honeycomb to Turbine Sidecar Dab Rig / CloudCulture; Dec. 7, 2017 <https://cloudculturestore.com/products/honeycomb-to-turbine-perc-bent-neck-bubblerrig?variant=12146112134>, 6 pages.

<http://ehoy.com>; Dec. 19, 2017; <http://ehoy.us/smoking-spoon-pipes/>; 8 pages.

<http://smokesy.com>; Dec. 19, 2017; <http://smokesy.com/reviews/best-spoon-pipe-of-2016/>; 20 pages.

<http://spoon.edot.com>; Dec. 19, 2017; <http://spoon.edot.us/smoking-spoon/>; 8 pages.

<http://stuffforstoners.com>; Dec. 19, 2017; <http://stuffforstoners.com/icy-penguins-glassspoon-pipe/>; 11 pages.

<http://sunflowerpipes.com>; Dec. 19, 2017; <http://sunflowerpipes.com/product/saturnraver-glass-pipe/>; 4 pages.

<http://vapesterdam.com>; Dec. 19, 2017; <http://vapesterdam.com/blog/glass-spoon-pipesbasics/>; 4 pages.

<http://www.formax420.com>; Dec. 19, 2017; <http://www.formax420.com/shop/formax420-glass-spoon-pipe-2/>; 4 pages.

<https://nmmmj.com>; Dec. 19, 2017; <https://nmmmj.com/5002/bongs/glass-spoon-pipe/>; 2 pages.

<https://nyvapeshop.com>; Dec. 19, 2017; <https://nyvapeshop.com/glass-pipes/>; 22 pages.

<https://skyhighsmokeshop.com>; Dec. 19, 2017; <https://skyhighsmokeshop.com/product/vengeance-spoon-pipe/>; 2 pages.

<https://www.aevape.com>; Dec. 19, 2017; <https://www.aevape.com/product/4-5-borosilicate-hand-pipe/>; 9 pages.

<https://www.glassnation.com>; Dec. 19, 2017; <https://www.glassnation.com/product/eycesilicone-pipe/>; 4 pages.

<https://www.hippiebutler.com>; Dec. 19, 2017; <https://www.hippiebutler.com/product/glass-spoon-pipe/>; 2 pages.

<https://www.pinterest.com>; Dec. 19, 2017; <https://www.pinterest.com/explore/spoonpipe/>; 5 pages.

<https://www.smoknfly.com> (2); Dec. 19, 2017; <https://www.smoknfly.com/product/5-5-green-hand-pipe/>; 4 pages.

<https://www.smoknfly.com>; Dec. 19, 2017; <https://www.smoknfly.com/product/meteorholes-glass-spoon-pipe/>; 3 pages.

Latticello-bulb-glass-spoon-pipe; Dec. 19, 2017; <https://www.smokingoutlet.net/latticello-bulb-glass-spoon-pipe>; 6 pages.

Liberty-503-glass-gear-sandbl; Dec. 19, 2017; <https://www.wickiepipes.com/pipes/liberty-503-glass-gear-sandblsted-fumed-spoon-pipe>; 4 pages.

Mav-five-hole-spoon-pip; Dec. 19, 2017; <https://store.nvsglassworks.com/product/mav-five-hole-spoon-pipe-cobalt/>; 7 pages.

Medium Stemless GoG Sidecar Water Pipe with Showerhead Perc—WP1041/ SPS Wholesale; Dec. 7, 2017 <https://spswholesale.com/medium-stemless-gog-sidecar-water-pipe-with-showerhead-percwp1041/>, 3 pages.

Multi-colored-5-glass-pipe-spo; Dec. 19, 2017; <https://bizarrosmoke.com/product/multi-colored-5-glass-pipe-spoon-shape-insense-holdermanufactured-by-crystal-rose-handmade-glass-art-pipe-inside-double-blown-one-of-a-kinddesign/>; 5 pages.

New Mobius Matrix Sidecar Glass Bong Birdcage Pere Glass Pipe Thick Glass Smoking . . . / DHGate.com; Dec. 7, 2017 <https://www.dhgate.com/store/product/new-mobius-matrix-sidecar-glass-bongbirdcage/377298496.html>, 2 pages.

New-smoking-glass-pipes-new-desi; Dec. 19, 2017; <https://www.dhgate.com/product/new-smoking-glass-pipes-new-designpicture/256081886.html>; 4 pages.

Pink Turbine + Sidecar + Stemless + Black Rim water pipe rig /420 Glass City; Dec. 7, 2017 http://www.420glasscity.com/PINK-TURBINE-SIDECAR-STEMLESS-BLACK-RIM-water-piperig_p_224.html, 3 pages.

Pip; Dec. 19, 2017; <https://www.kings-pipe.com/yellow-techno-glass-spoon-pipe/p/pipe-134.htm>; 3 pages.

Pipe-; Dec. 19, 2017; <https://www.kings-pipe.com/amg-blue-lv-spoon-glass-pipe/p/pipe-127.htm>; 4 pages.

Pipe-1; Dec. 19, 2017; <https://www.kings-pipe.com/red-techno-glass-spoon-pipe/p/pipe-133.htm>; 3 pages.

Pipe-124; Dec. 19, 2017; <https://www.kings-pipe.com/purr-green-spoon-pipe-p/pipe-124.htm>; 4 pages.

Pipe-125; Dec. 19, 2017; <https://www.kings-pipe.com/purr-blue-spoon-pipe-p/pipe-125.htm>; 4 pages.

Pipe-140; Dec. 19, 2017; <https://www.kings-pipe.com/mav-pink-glass-spoon-pipe/p/pipe-140.htm>; 4 pages.

Pipe-206; Dec. 19, 2017; https://www.grasscity.com/us_en/glassheads-inside-outspoon-pipe-usa.html; 6 pages.

Pipe-206; Dec. 19, 2017; <https://www.kings-pipe.com/grav-jane-west-spoon-p/pipe-206.htm>; 6 pages.

Purr 14mm Concentrate Full Sidecar Honeycomb—Clear / Windship Trading; Dec. 8, 2017 <http://www.windshiptrading.com/sale-purr-14mm-concentrate-full-sidecar-honeycomb-clear/>, 3 pages.

PURR 4 Inch Spoon Pipe Product Review; Dec. 19, 2017; <https://www.youtube.com/watch?v=4tZjTwBP4XU>; 2 pages.

Purr Glass Honeycomb Sidecar Dab Rig / Kings's Pipe Online Headshop; Dec. 7, 2017 <https://www.kings-pipe.com/purr-honeycomb-sidecar-dab-rig-p/wp-325.htm>, 5 pages.

Red-eye-spoon-pi; Dec. 19, 2017; https://azarius.net/headshop/pipes/glass_pipes/redeye-spoon-pipe/; 7 pages.

(56)

References Cited

OTHER PUBLICATIONS

Sidecar Rigs Sprinkler Perc Bong Glass Bong Glass Smoking Pipe Perc Flow Bong Da . . . /DHGate Alpine Glass; Dec. 7, 2017 <https://www.dhgate.com/store/product/sidecar-rigs-sprinkler-perc-bongs-glassbongs/391352990.html>, 2 pages.

Sidecar Water Pipe—T Perc to Turbine Perc / BadAssGlass.com—YouTube; Dec. 8, 2017 <https://www.youtube.com/watch?v=kUIBBhikgzQ>, 2 pages.

Spoon__pipes; Dec. 19, 2017; https://www.etsy.com/market/spoon_pipes; 32 pages.

Spoon-pipe (2); Dec. 19, 2017; <http://www.sandipointe.com/appliances/spoon-pipe>; 2 pages.

Spoon-pipe; Dec. 19, 2017; <http://www.blumaize.net/appliances/spoon-pipe>; 2 pages.

Spoon-pipes; Dec. 19, 2017; <https://www.wickiepipes.com/pipes/glass-pipes/spoonpipes>; 9 pages.

Spoon-pipe-vs-sherlock-pipe-supe; author staff writer; Dec. 19, 2017; <https://magazine.grasscity.com/spoon-pipe-vs-sherlock-pipe-superior-smoking-device-3734/>; 9 pages.

Totem Ice; “How to make a pipe out of ice [Part 2 of 2]”; Published Feb. 27, 2010; Youtube; <<https://www.youtube.com/watch?v=OTOC68rt7K8>>. (Year: 2010), 3 pages.

Turbine Sidecar Waterpipe by CLV / Badass Glass; Dec. 7, 2017 <https://www.badassglass.com/turbine-sidecar-waterpipe.html>, 2 pages.

Unique-glass-pipes-grav-labs-; Dec. 19, 2017; <https://www.421store.com/products/unique-glass-pipes-grav-labs-pipe>; 3 pages.

Up%20&%20Down%20Sho; Dec. 19, 2017; <http://production.elpasotimes.net/TestLinks/Up%208%20Down%20Shop/smokingpipes.html>; 2 pages.

USA Assorted GRAV Labs Frit Hand Pipe 4; Dec. 19, 2017; <http://www.marijuanapackaging.com/assorted-grav-labs-frit-hand-pipe-4.html>; 2 pages.

Wholesale Hookahs At \$22.92, Get 2015 New Mobius Matrix Sidecar Glass Bong Birdca . . . /DHGate.com; Dec. 8, 2017 <https://www.dhgate.com/product/2015-new-mobius-matrix-sidecar-glass-bong/264836611.html>, 4 pages.

Wicked Sands Glass Honeycomb Sidecar Hash Bubbler #bongs #wicked Sands #vapor #ha . . . /Aqua Lab; Dec. 7, 2017 <https://www.pinterest.com/pin/107242034852412438/>, 3 pages.

Wicked Sands Sidecar Bubbler / Oz Bong; Dec. 7, 2017 <https://ozbongs.com.au/wicked-sands-sidecar-bubbler.html>, 2 pages.

Wizardtooth Glass—Sidecar / Flameworked; Dec. 7, 2017 <https://www.flameworked.com/product/wizardtooth-glass-sidecar/>, 3 pages.

WP-0174 6" Stemless + Barrel Showerhead + Sidecar Water Pipe/rig; Dec. 11, 2017 https://www.usglobalimports.com/product_p/wp-0174.htm, 5 pages.

China Tall Mobius Matrix Sidecar Glass Bong from Jinhua Manufacturer: Yiwu Hao Ke Smoking Supplies Co., Ltd.; Dec. 11, 2017, <http://smokingdogo.manufacturer.globalsources.com/si/6008851944093/pdtl/Bong/1146785450/Tall-Mobius-Matrix-sidecar-glass-bong.htm>, 3 pages.

Upgraded Mobius Matrix sidecar oil rigs glass bong water pipes birdcage perc 9" inches g . . . / One Smoker; Dec. 7, 2017, <http://www.funny-smoke.com/bongs-water-pipes/upgraded-mobius-matrix-sidecar-oil-rigsglass-bongs-water-pipes-birdcage-perc-9inches-glass-smoking-pipes-ash-catcher-19mmp48337.html>, 2 pages.

JM Flow Sidecar rigs Sprinkler perc bong glass bong glass smoking pipe perc flow bong dab oil rig tornado perc water pipes percolator; Dec. 11, 2017, <https://www.dhgate.com/store/product/2016-new-sprinkler-perc-bongs-glassbongs/386444370.html>, 2 pages.

“American Standard huntley SelectFlo Scrub Brush for Kitchen Faucet (2-Pack)-1660403.007—The Home Depot”, American Standard huntley SelectFlo Scrub Brush for Kitchen Faucet (2-Pack)-1660403.007—The Home Depot, [https://www.homedepot.com/p/American-Standard-Huntley-SelectFlo-Scrub-Brush-for-Kitchen-Faucet-2-Pack-1660403-007/206090739?cm_mmc=Shopping%7cT . . .](https://www.homedepot.com/p/American-Standard-Huntley-SelectFlo-Scrub-Brush-for-Kitchen-Faucet-2-Pack-1660403-007/206090739?cm_mmc=Shopping%7cT...), 3.

“Brush Attach F for Fisher—Part# 2949-9001”, [https://www.sharpteksupply.com/index.php/catalog/product/view/id/28859/s/fisher-2949-9001/?zmam=25112989&zmas=3&zmac=1&zmap=282121-2949-9001-LE . . .](https://www.sharpteksupply.com/index.php/catalog/product/view/id/28859/s/fisher-2949-9001/?zmam=25112989&zmas=3&zmac=1&zmap=282121-2949-9001-LE...), Jul. 31, 2018.

“<http://www.vaporizerecig.net/silicone-pipes/silicone-spoon-pipes.html>”.

“<https://oilslickpad.com/collections/spoons/products/silicone-lightweight-spoon>”.

“https://oilslickpad.com/products/4-inch-silicone-spoon-glass-bowl?variant=29207607115875&utm_medium=cpc&utm_source=google&utm_campaign=Google%20Shopping&cmp_id=2045022620&adg_id=72590894296&kwd=&device=c&gclid=Cj0KCCQiAk7TuBRDQARIsAMRrfUaDM0KYITmt3KbjA4F9Bw”.

Eyce, “Eyce Molds Eyce Shorty”, <https://eycemolds.com/collections/shop-accessories/products/eyce-shorty#shopify-product-reviews> (Found Online Aug. 5, 2019; Accessed Sep. 11, 2019), Apr. 4, 2019, 8 pages.

Wolff-Mann, Ethan, Finally, a Brush Attachment for Your Sink Sprayer—Reviewed.com Dishwashers, <https://www.reviewed.com/dishwashers/news/finally-a-brush-attachment-for-your-sink-sprayer>, Jun. 4, 2013, 2.

* cited by examiner

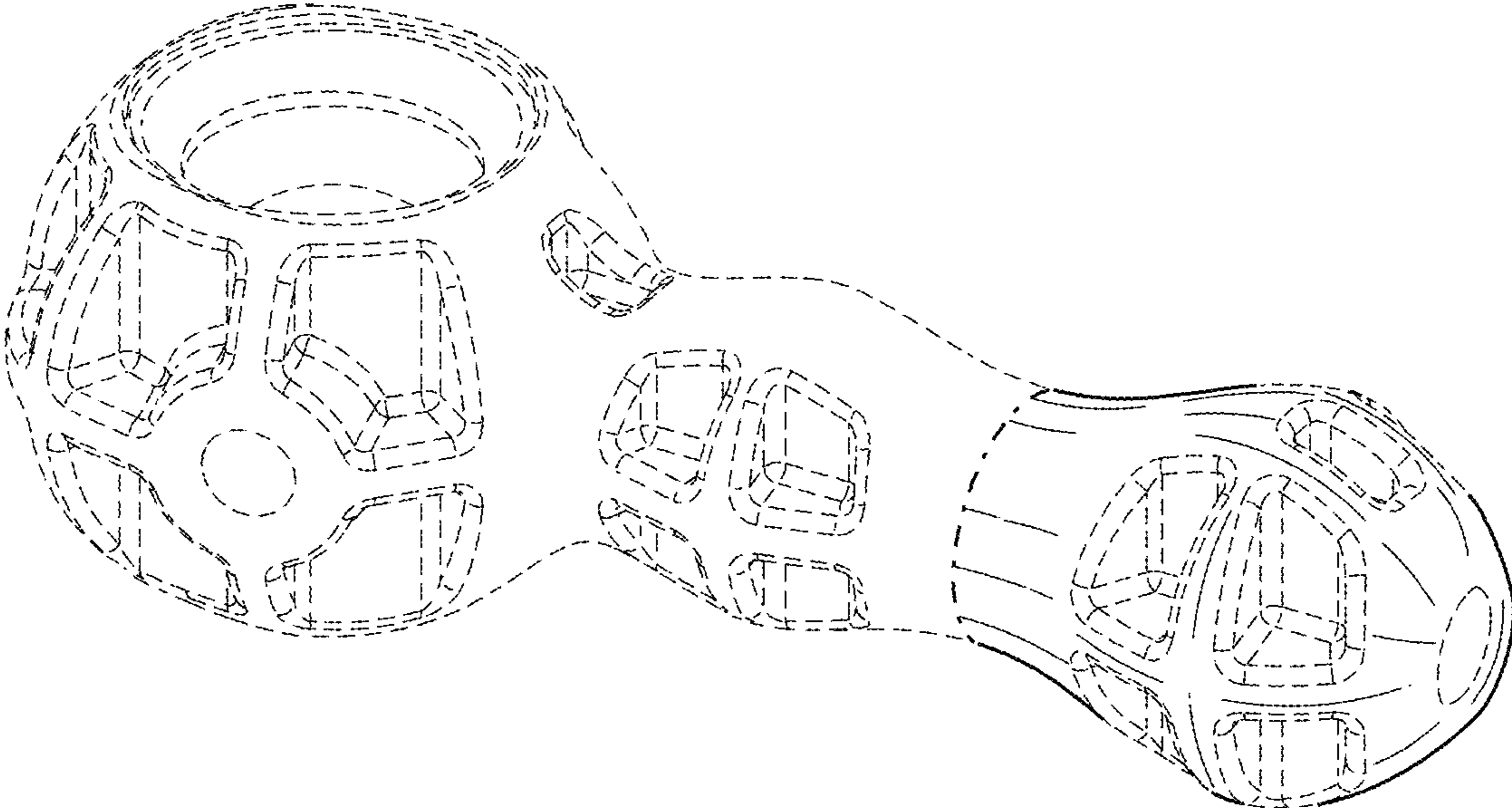


FIG. 1

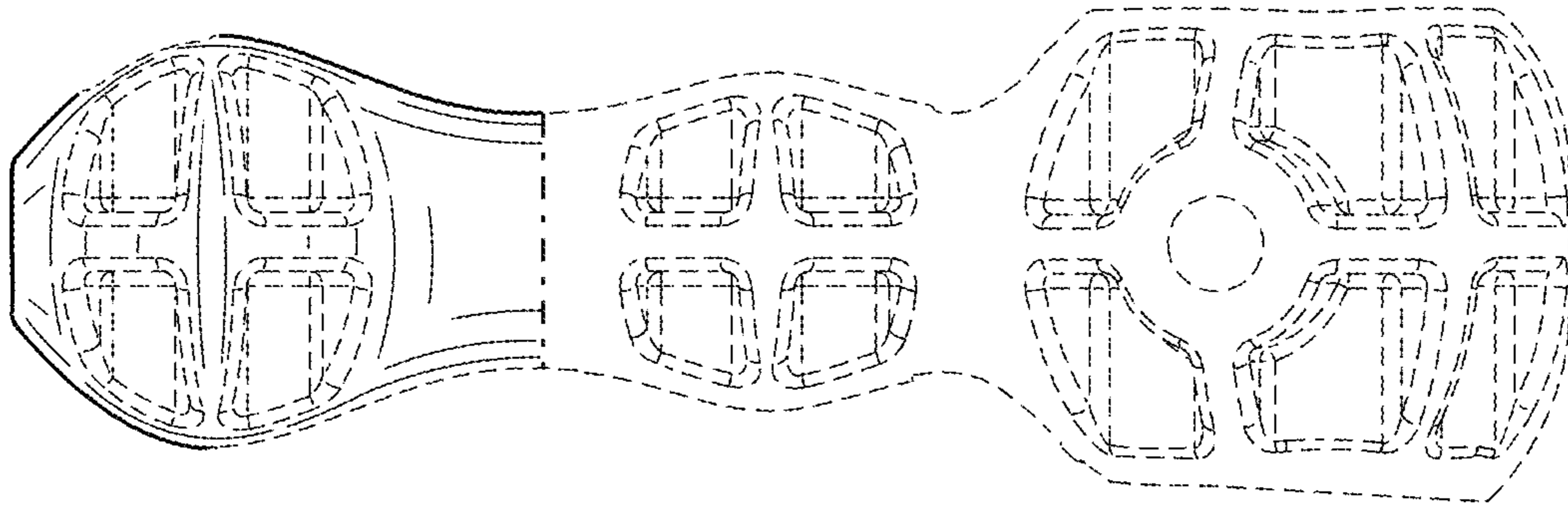


FIG. 2

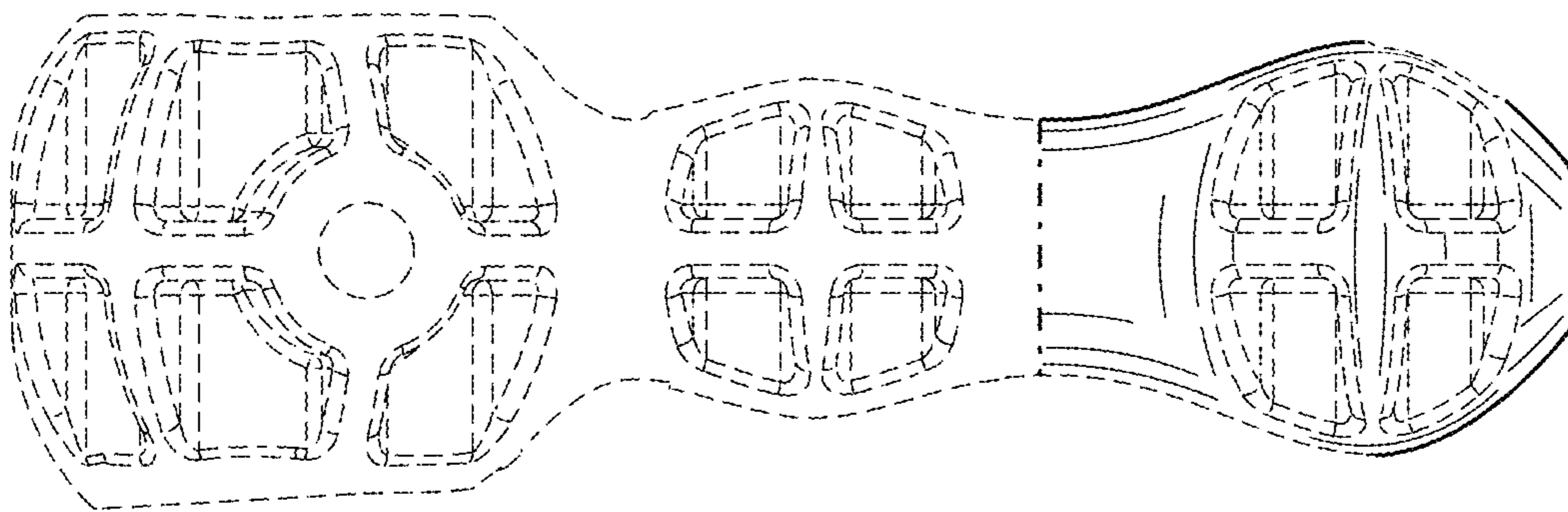


FIG. 3

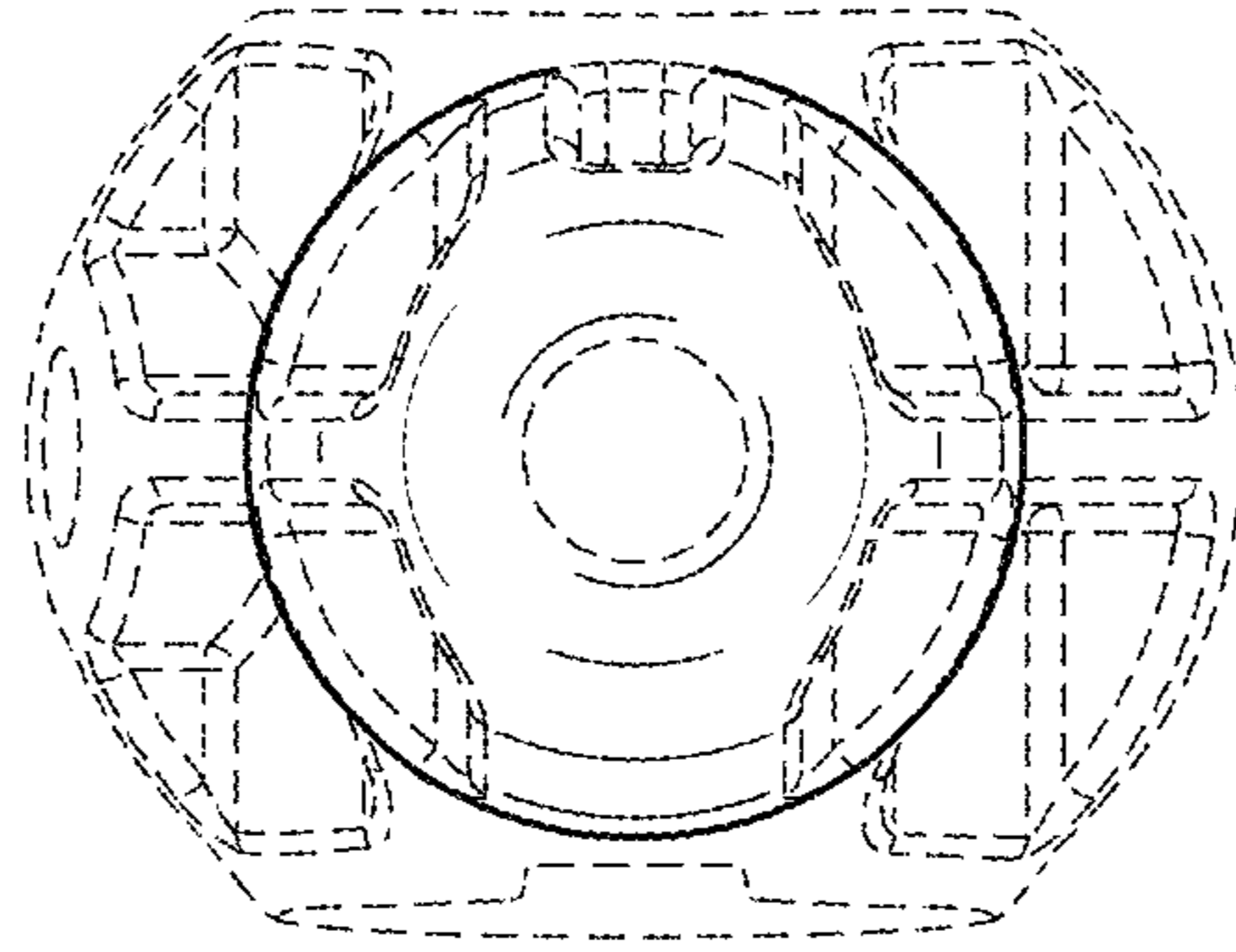


FIG. 4

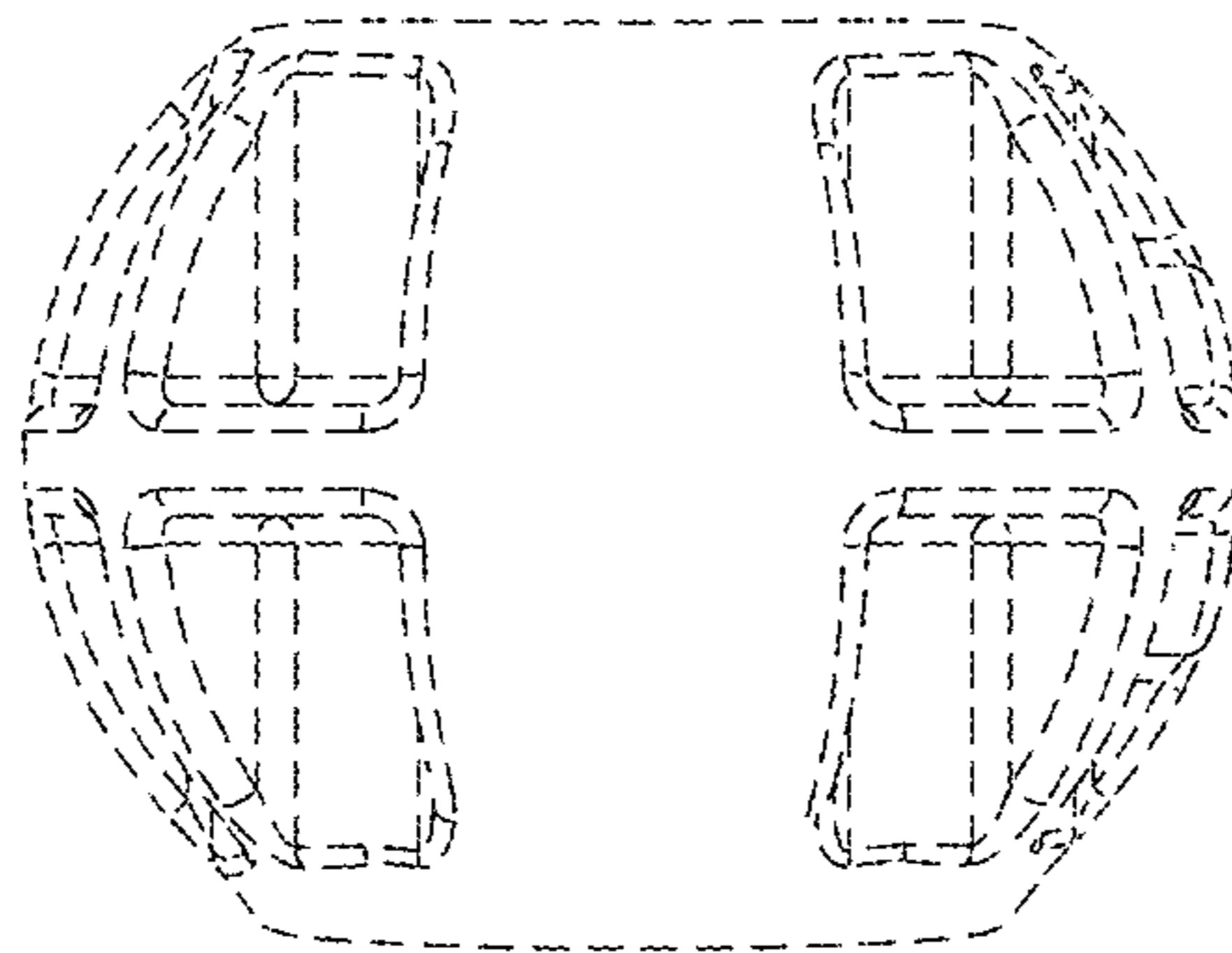


FIG. 5

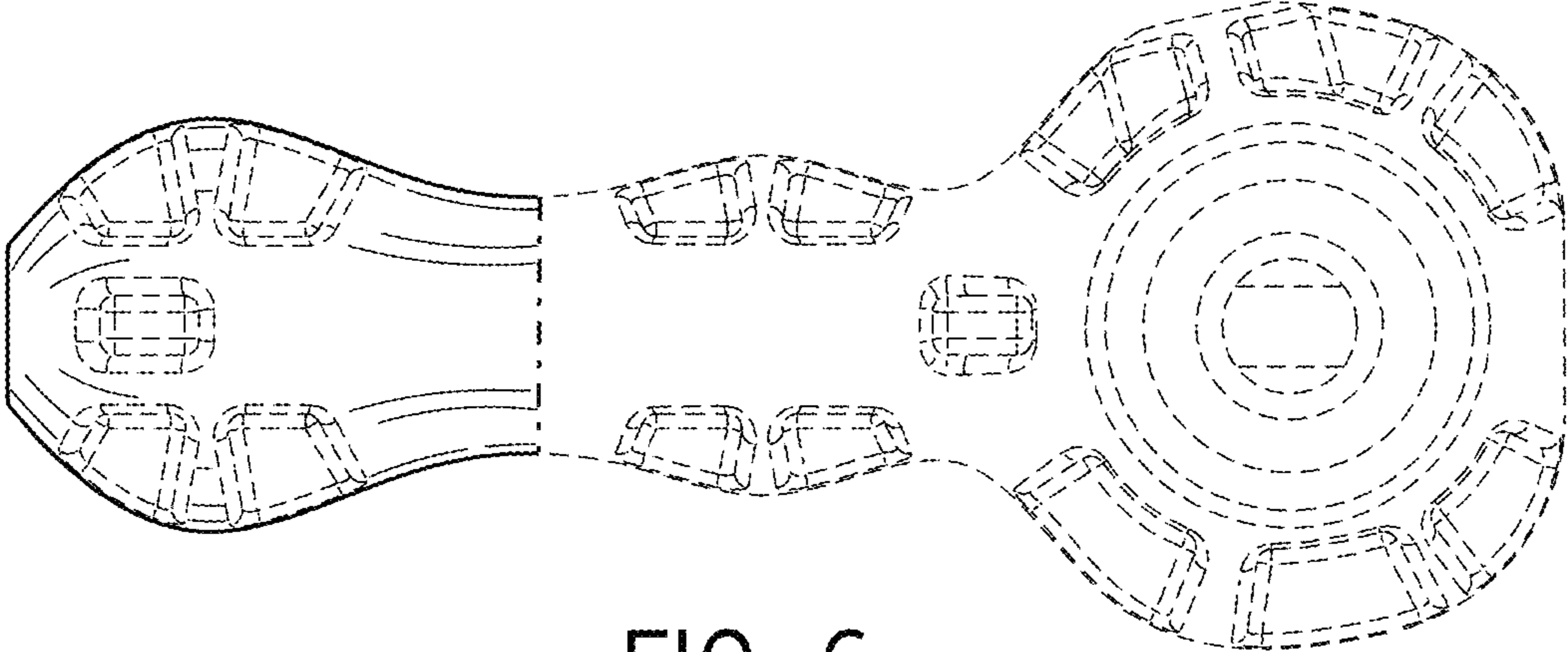


FIG. 6

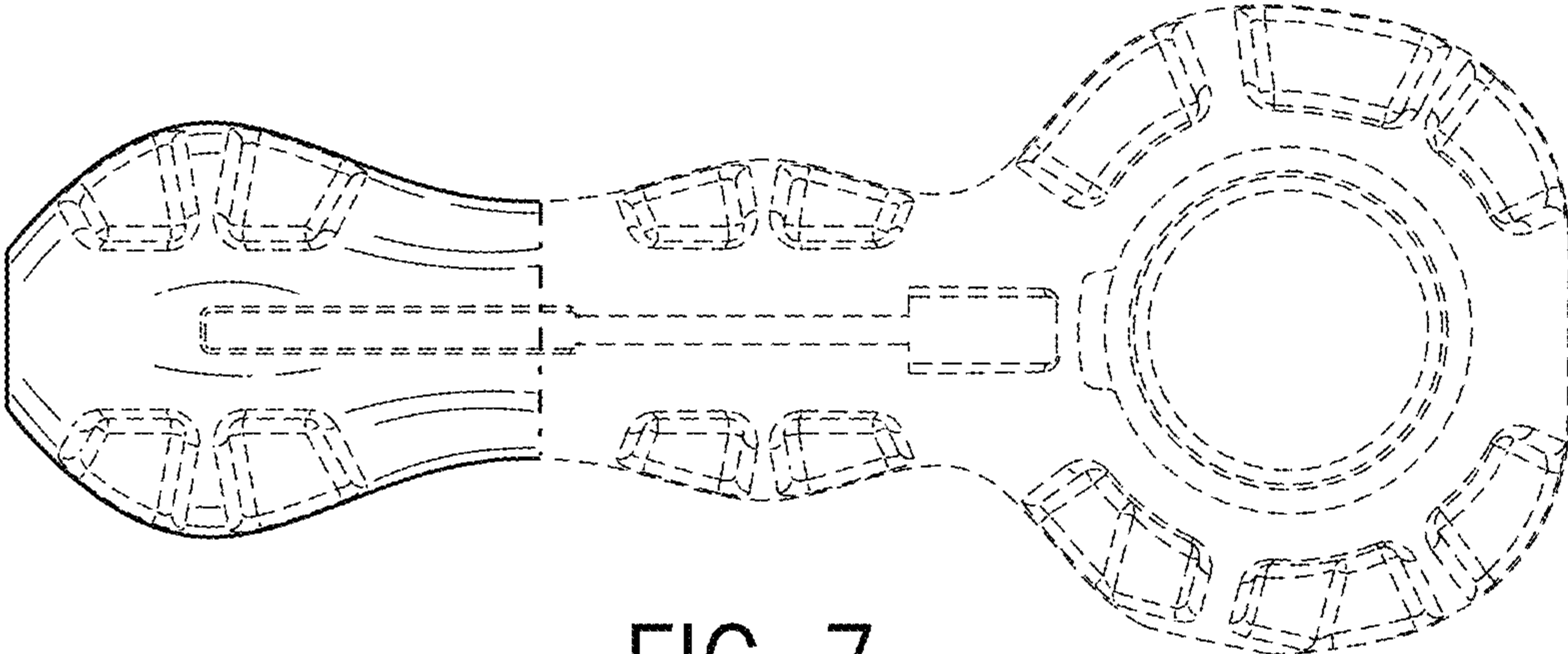


FIG. 7

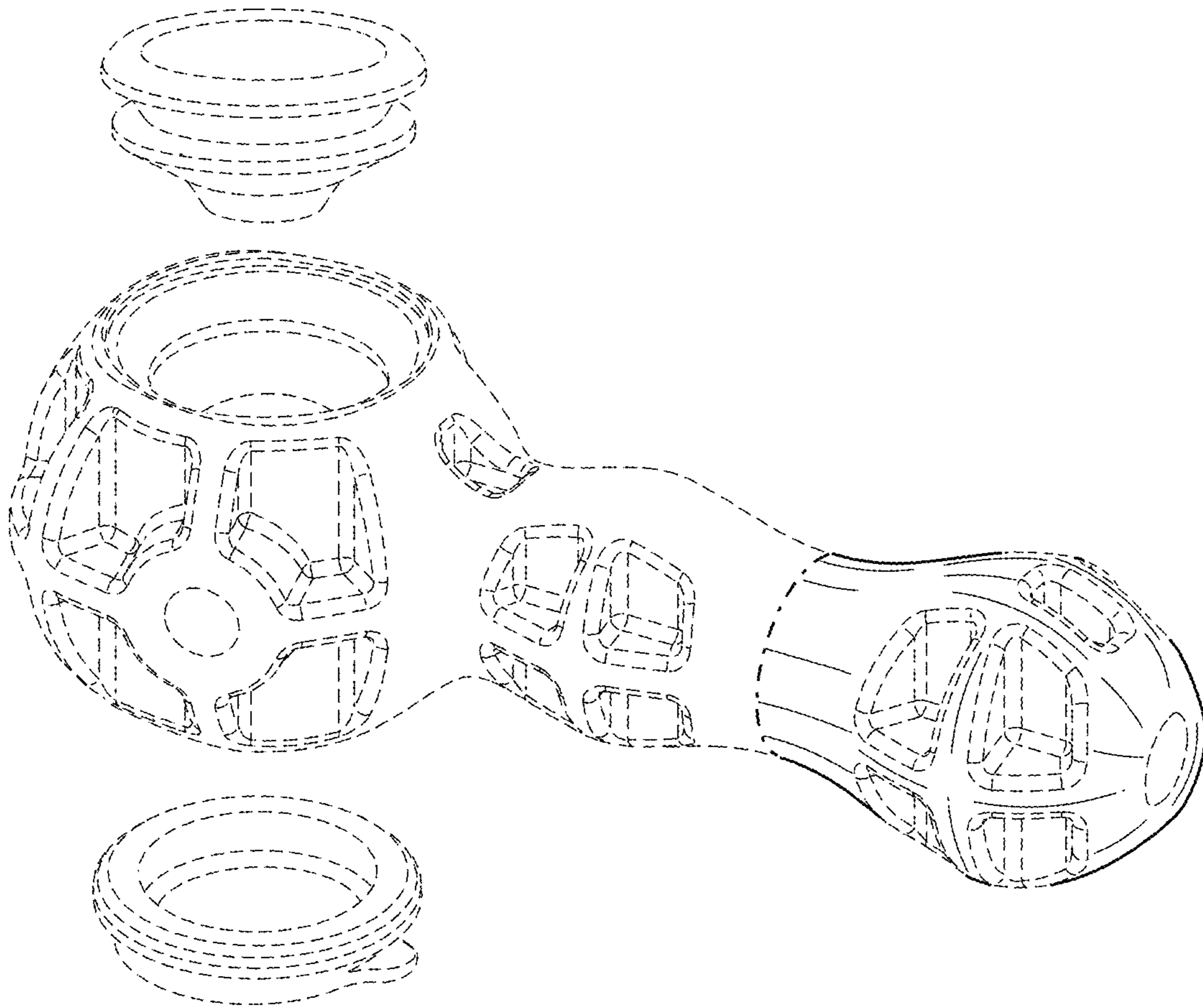


FIG. 8