

US00D965215S

(12) **United States Design Patent** (10) **Patent No.:** **US D965,215 S**
Chen (45) **Date of Patent:** **** Sep. 27, 2022**

(54) **HOOKAH**
(71) Applicant: **Suzhi Chen**, Ningbo (CN)
(72) Inventor: **Suzhi Chen**, Ningbo (CN)
(**) Term: **15 Years**
(21) Appl. No.: **29/846,325**
(22) Filed: **Jul. 15, 2022**
(30) **Foreign Application Priority Data**

D828,953 S * 9/2018 Chen D27/167
D832,502 S 10/2018 Durand
D864,473 S * 10/2019 Reimann D27/162
D875,301 S 2/2020 Masri
D882,749 S * 4/2020 Vo D23/383
D917,381 S * 4/2021 Ouyang D27/162
D917,681 S * 4/2021 Zhang D23/339
D925,822 S * 7/2021 Lin D27/183
D932,093 S * 9/2021 Shi D27/162
D943,720 S * 2/2022 Pease D23/335
D945,513 S * 3/2022 Han D16/218
D946,202 S * 3/2022 Zouev D27/162
D947,447 S * 3/2022 Liu D27/162
D950,696 S * 5/2022 Xie D23/359
D959,736 S * 8/2022 Chen D27/162

May 31, 2022 (CN) 202230329299.0

(51) **LOC (13) Cl.** **27-02**
(52) **U.S. Cl.**
USPC **D27/162**
(58) **Field of Classification Search**
USPC D27/162, 100, 103, 163–165, 167, 169,
D27/180, 181, 183, 194; D23/332, 335,
D23/317, 360, 370, 359
CPC A24F 1/30; A24F 1/02; A24F 1/00; A24F
47/008; A24F 47/002; A61M 11/00;
F24H 3/0417; F24H 3/0405; F24H 3/02;
F24H 3/022; F24H 3/002; F24H 3/00
See application file for complete search history.

* cited by examiner

Primary Examiner — Rebecca Tsehaye
(74) *Attorney, Agent, or Firm* — Rमित Ranjit Kanakia

(56) **References Cited**

U.S. PATENT DOCUMENTS

D587,796 S * 3/2009 Reese D23/370
D606,639 S * 12/2009 Chung D23/332
D694,380 S * 11/2013 Crowe D23/317
D771,420 S * 11/2016 Almaghlouth D6/691.4
D779,723 S 2/2017 Marrakchi
D791,848 S * 7/2017 Zhu D16/200
D816,895 S * 5/2018 Ren D27/162

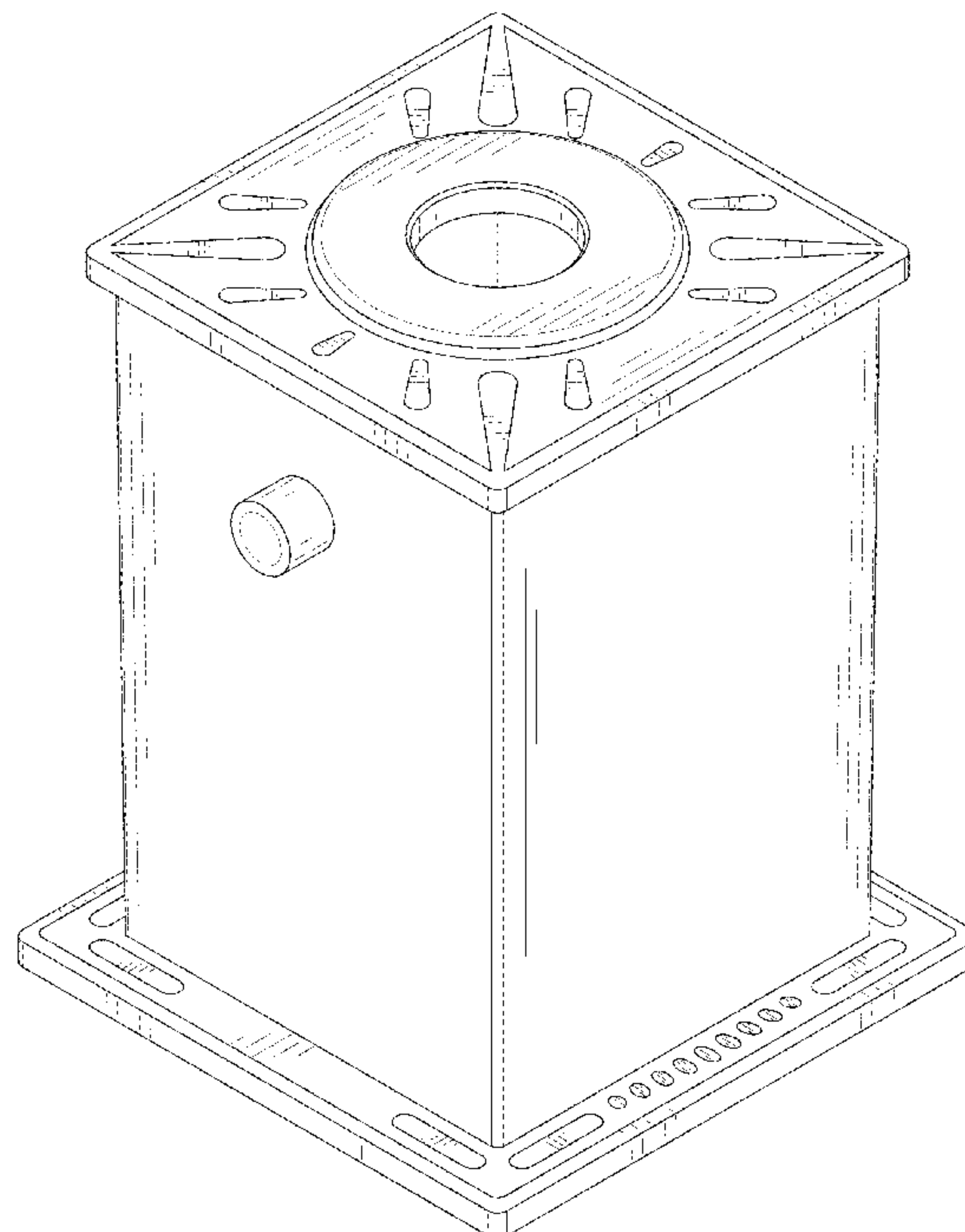
(57) **CLAIM**

The ornamental design for a hookah, as shown and described.

DESCRIPTION

FIG. 1 is a first perspective view of a hookah showing my new design;
FIG. 2 is a second perspective view thereof;
FIG. 3 is a front view thereof;
FIG. 4 is a back view thereof;
FIG. 5 is a left side view thereof;
FIG. 6 is a right side view thereof;
FIG. 7 is a top view thereof; and,
FIG. 8 is a bottom view thereof.
The broken lines shown in the drawings depict portions of the hookah that form no part of the claimed design.

1 Claim, 8 Drawing Sheets



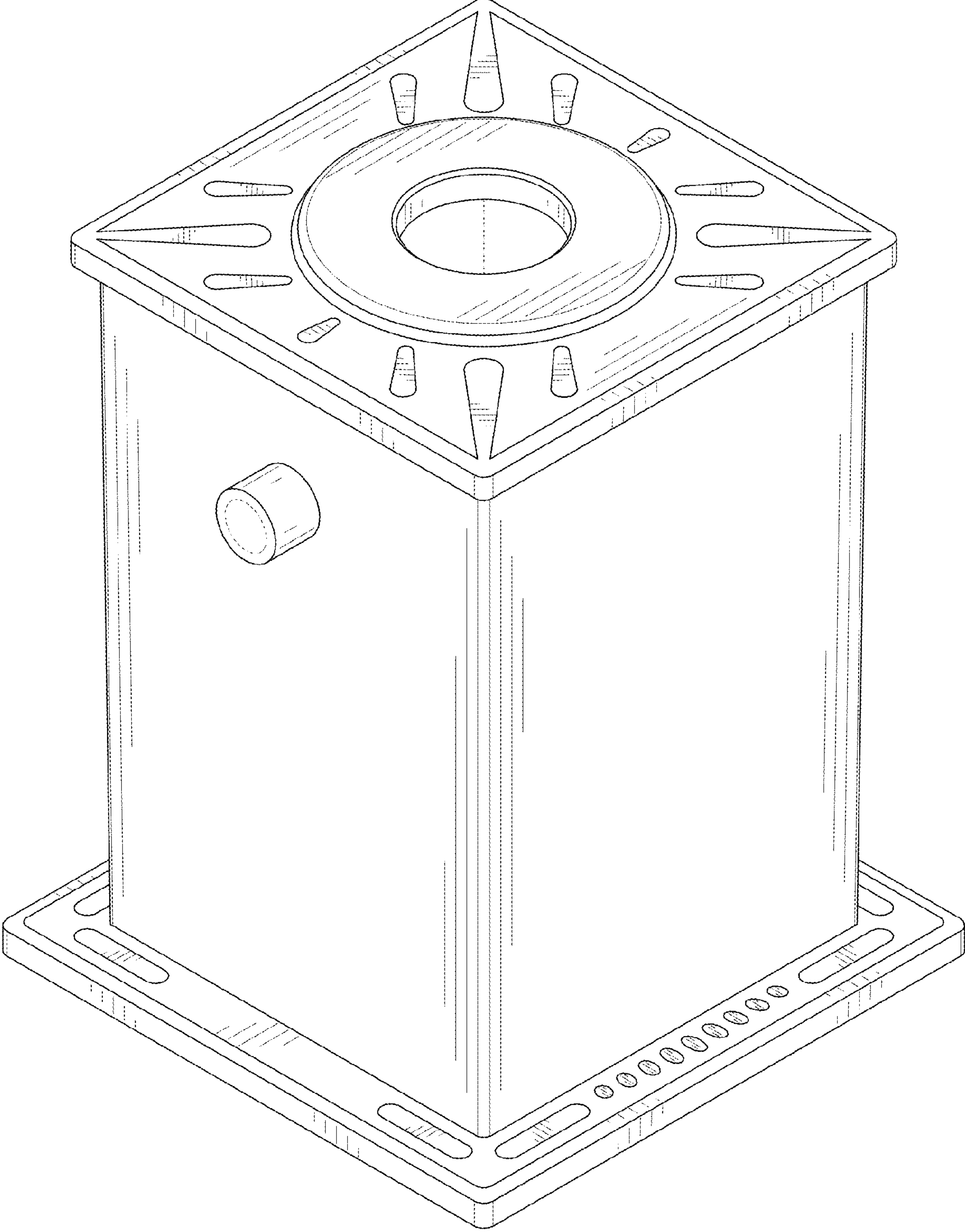


FIG. 1

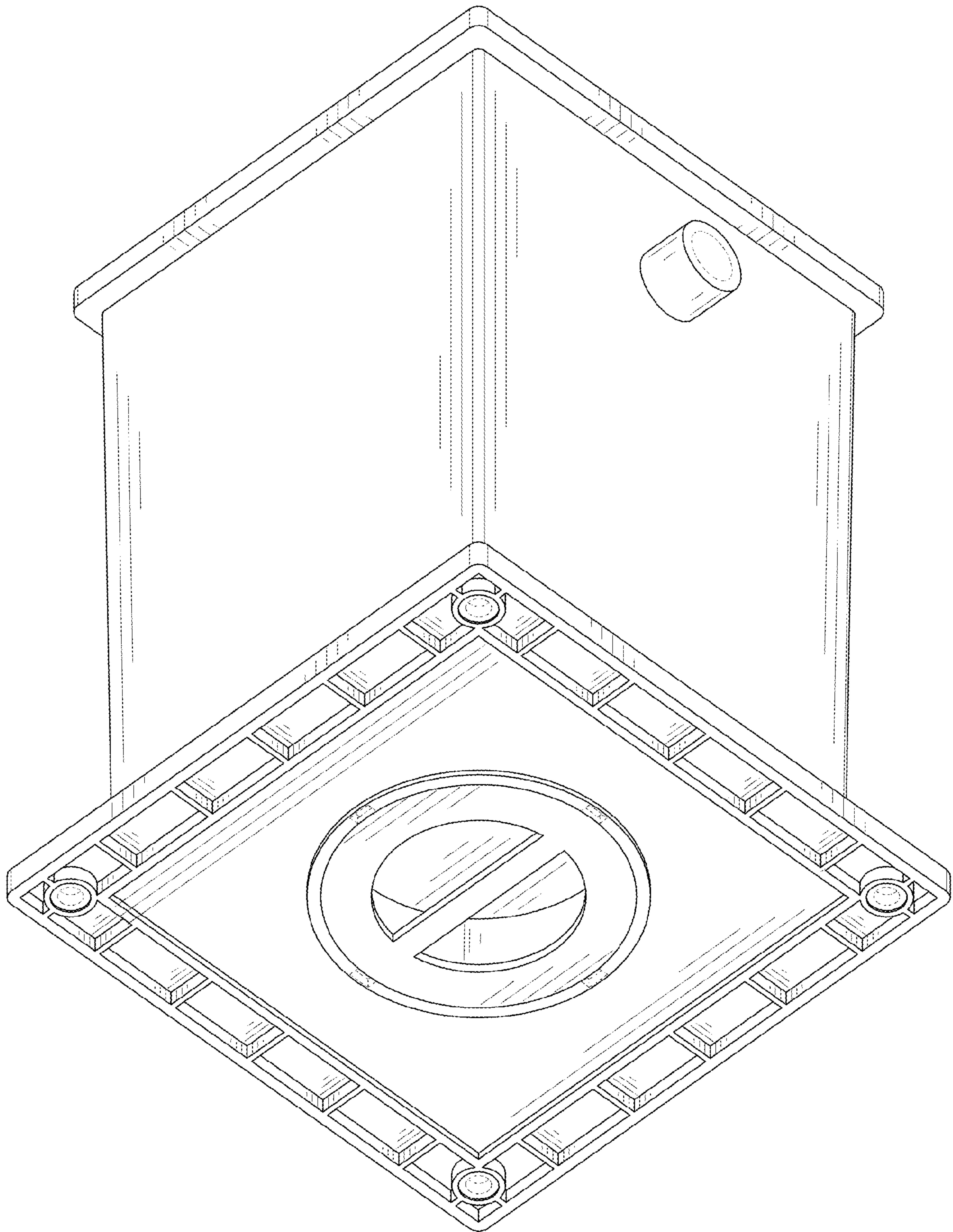


FIG. 2

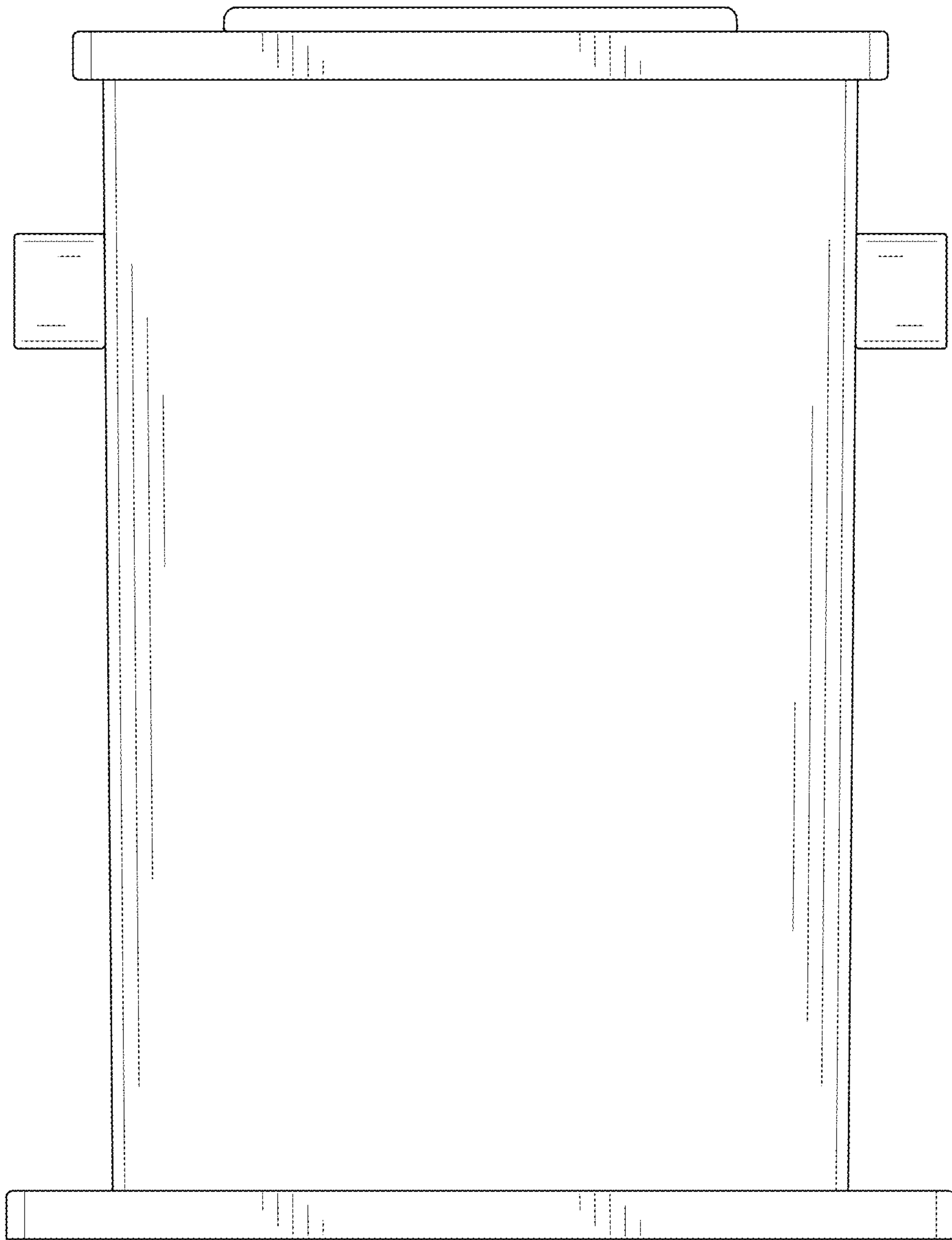


FIG. 3

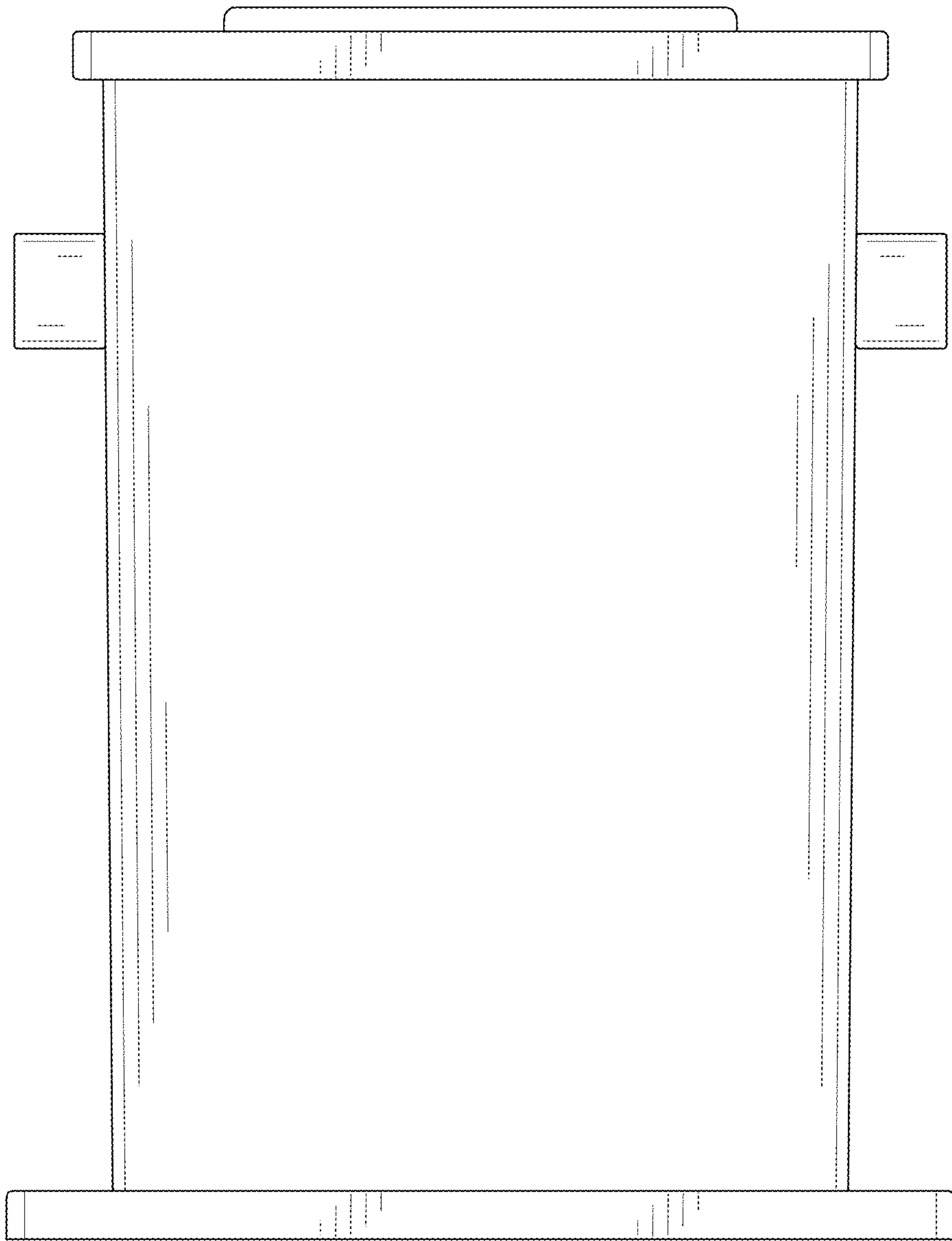


FIG. 4

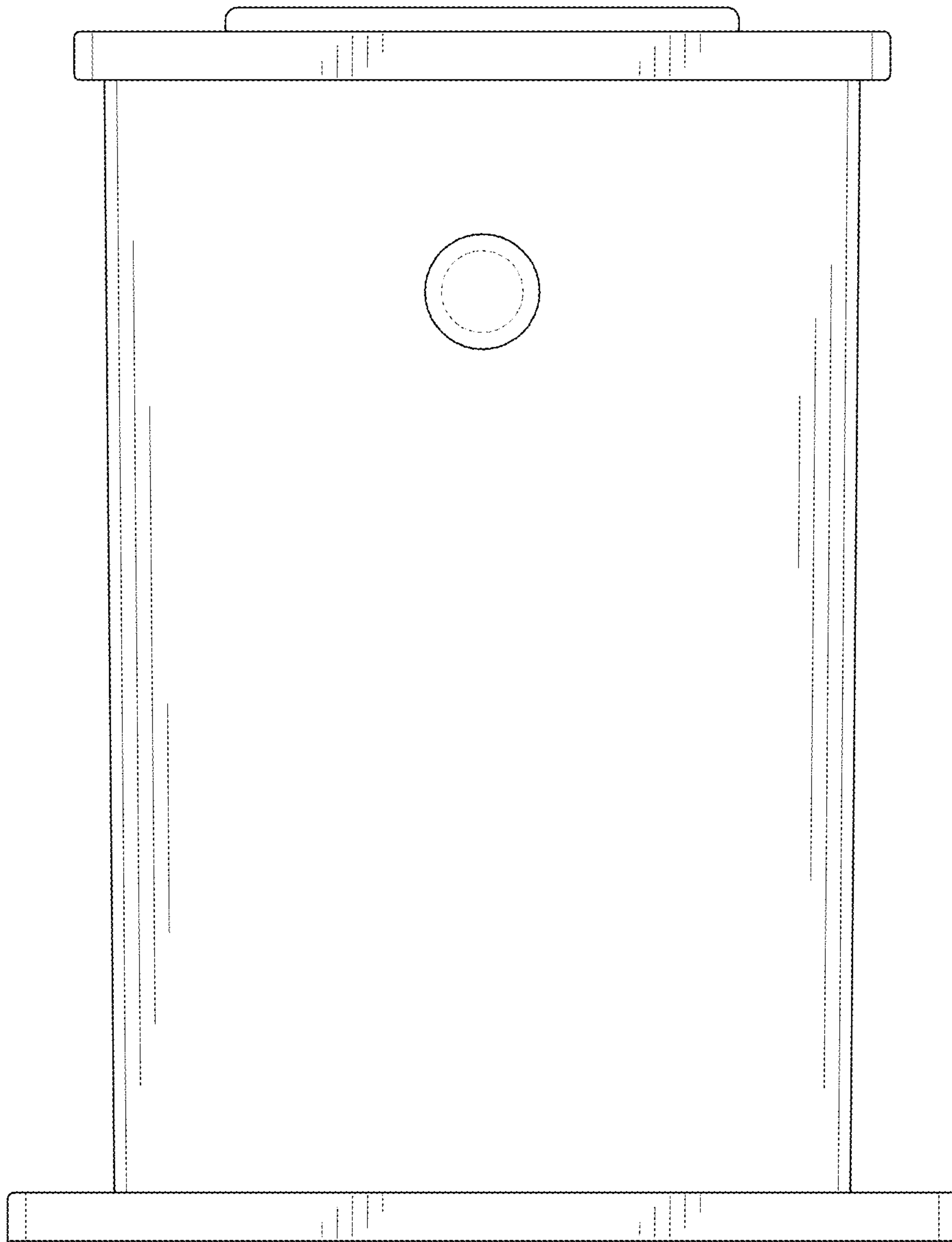


FIG. 5

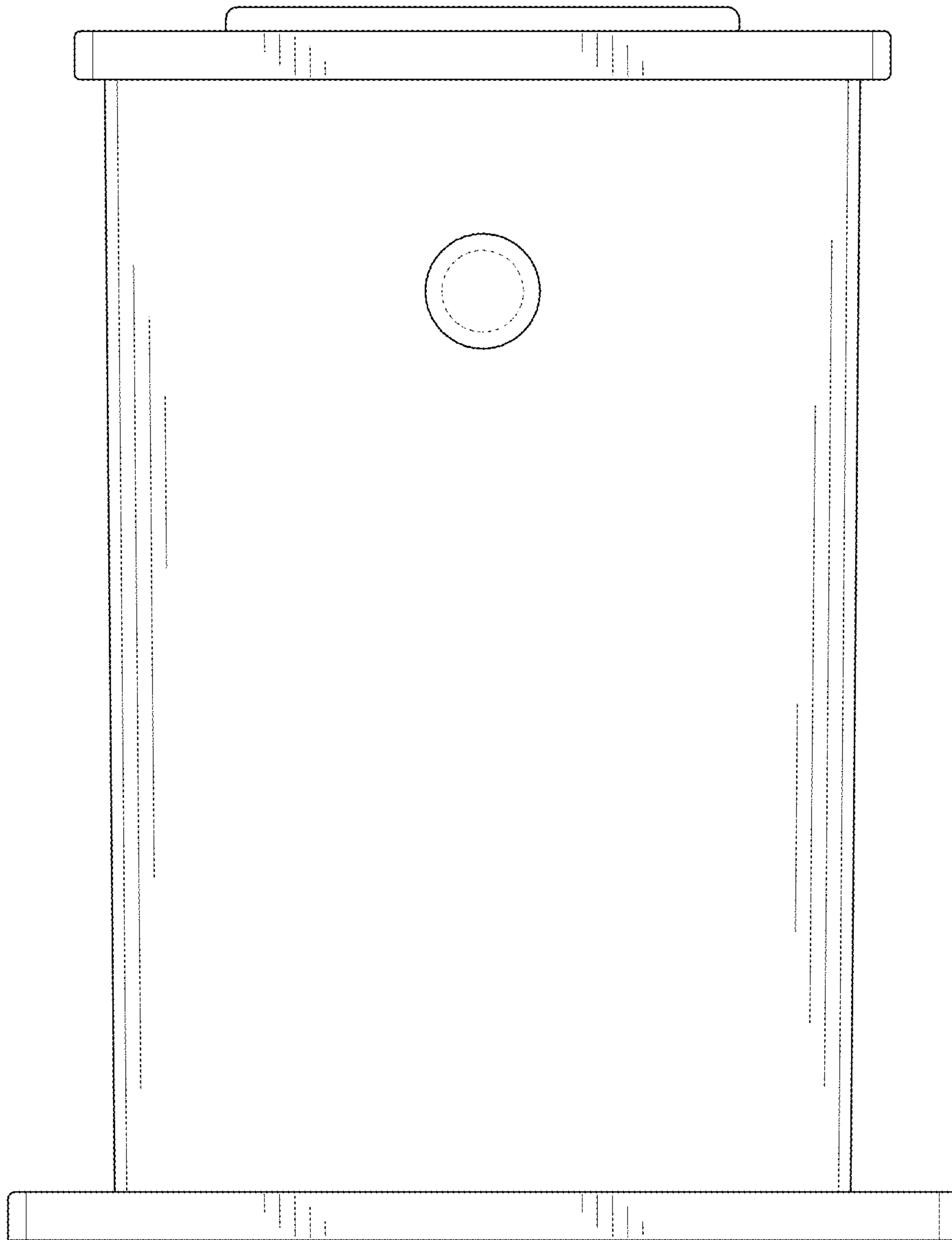


FIG. 6

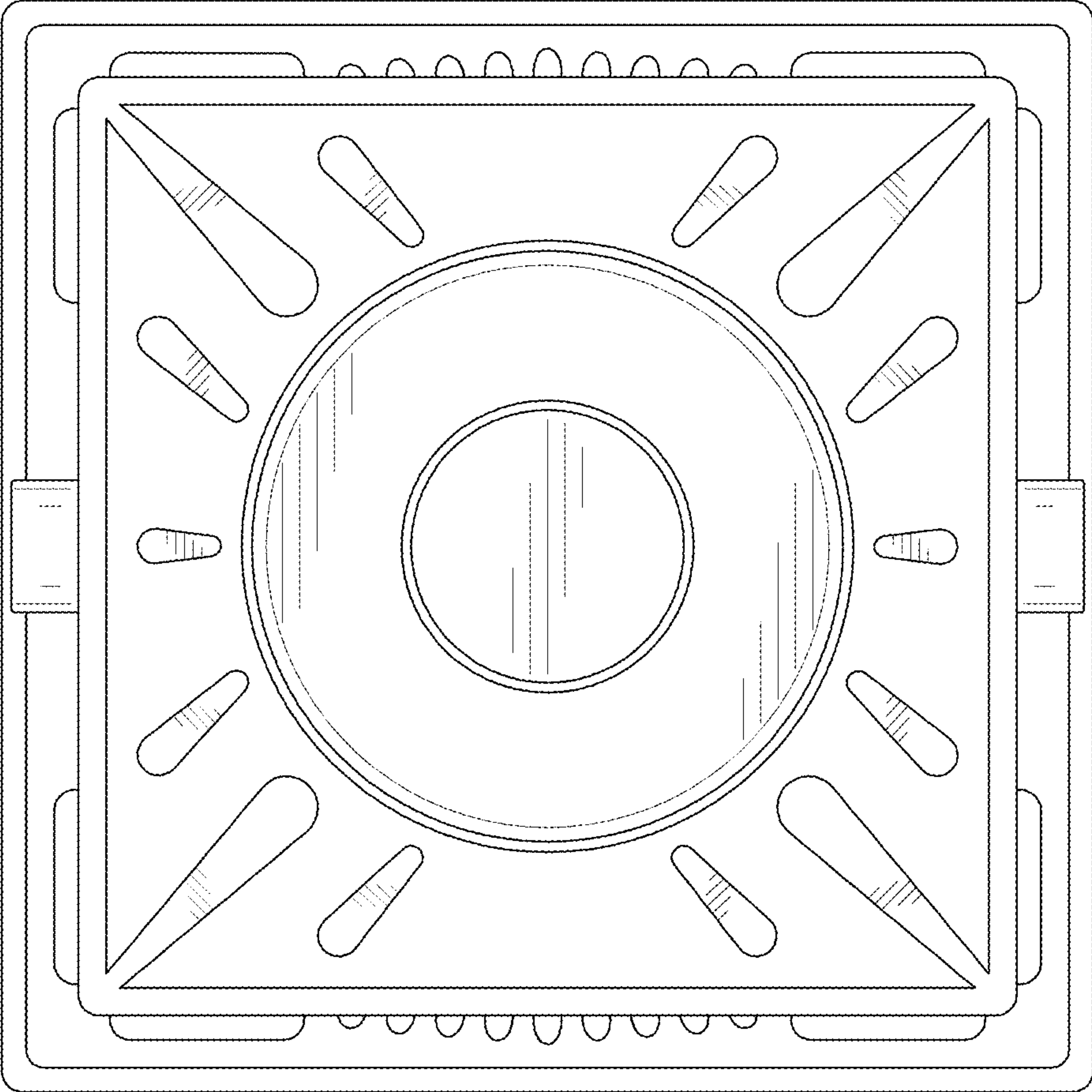


FIG. 7

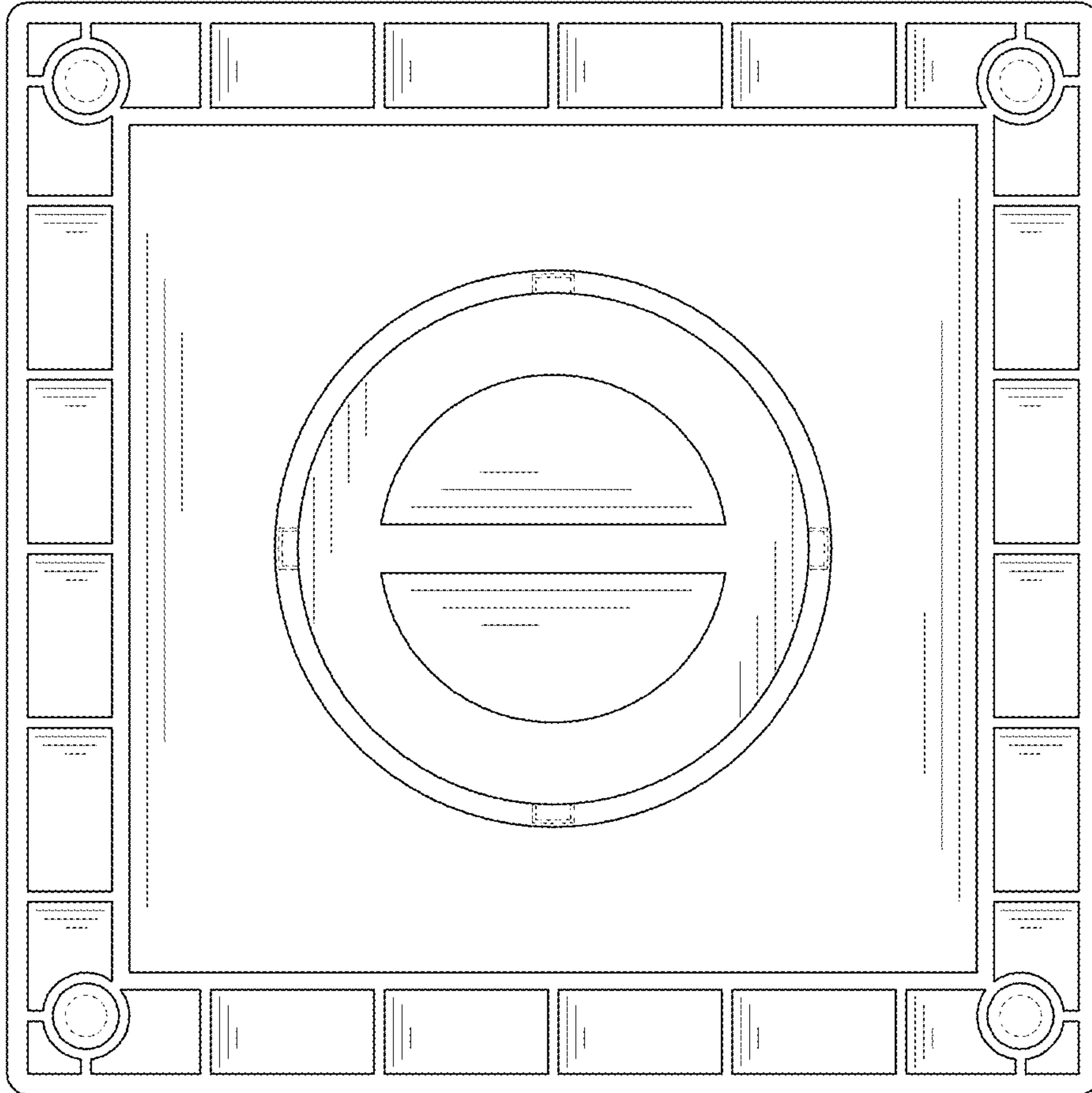


FIG. 8