



US00D965214S

(12) **United States Design Patent** (10) **Patent No.:** **US D965,214 S**
Xue (45) **Date of Patent:** **** Sep. 27, 2022**

(54) **HOOKAH**
(71) Applicant: **Danxia Xue**, Ningbo (CN)
(72) Inventor: **Danxia Xue**, Ningbo (CN)
(**) Term: **15 Years**
(21) Appl. No.: **29/843,693**
(22) Filed: **Jun. 23, 2022**
(51) **LOC (13) Cl.** **27-02**
(52) **U.S. Cl.**
USPC **D27/162**
(58) **Field of Classification Search**
USPC D27/162, 100, 103, 163–165, 167, 169,
D27/180, 181, 183, 194; D23/360
CPC A24F 1/30; A24F 1/02; A24F 1/00; A24F
47/008; A24F 47/002; A61M 11/00;
F24H 3/0417; F24H 3/0405; F24H 3/02;
F24H 3/022; F24H 3/002; F24H 3/00
See application file for complete search history.

(56) **References Cited**
U.S. PATENT DOCUMENTS
D443,350 S * 6/2001 Delmenico D23/360
D525,583 S * 7/2006 Vu D13/108
D639,414 S * 6/2011 Berndt D23/366
D649,237 S * 11/2011 Bilko D23/366
D700,227 S * 2/2014 Kile D15/150
D703,300 S * 4/2014 Lee D23/362
D710,052 S * 7/2014 Lanca D27/162

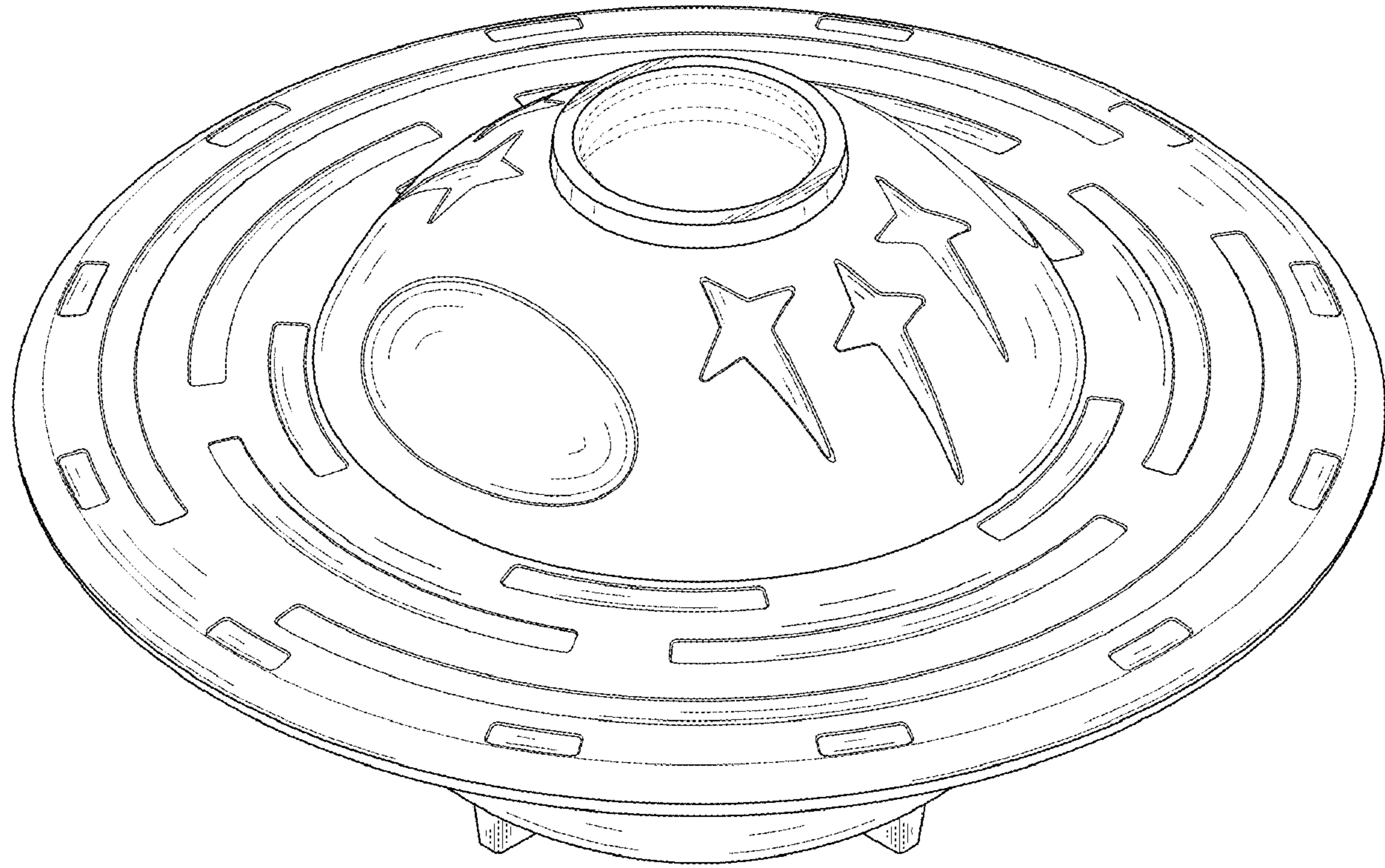
D752,807 S * 3/2016 Young D23/362
D760,430 S * 6/2016 Hanna D27/162
D770,088 S * 10/2016 Abadi D27/167
D779,723 S 2/2017 Marrakchi
D786,789 S * 5/2017 Jordan D27/194
D799,691 S * 10/2017 Pratt, Jr. D27/162
D832,502 S 10/2018 Durand
D850,711 S * 6/2019 He D27/162
D875,301 S 2/2020 Masri
D943,144 S * 2/2022 Eweidah D27/162
D943,168 S * 2/2022 Lin D27/162

* cited by examiner
Primary Examiner — Rebecca Tsehaye
(74) *Attorney, Agent, or Firm* — Rमित Ranjit Kanakia

(57) **CLAIM**
The ornamental design for a hookah, as shown and described.

DESCRIPTION
FIG. 1 is a first perspective view of a hookah showing my new design;
FIG. 2 is a second perspective view thereof;
FIG. 3 is a front view thereof;
FIG. 4 is a back view thereof;
FIG. 5 is a left side view thereof;
FIG. 6 is a right side view thereof;
FIG. 7 is a top view thereof; and,
FIG. 8 is a bottom view thereof.
The broken lines shown in the drawings depict portions of the hookah that form no part of the claimed design.

1 Claim, 8 Drawing Sheets



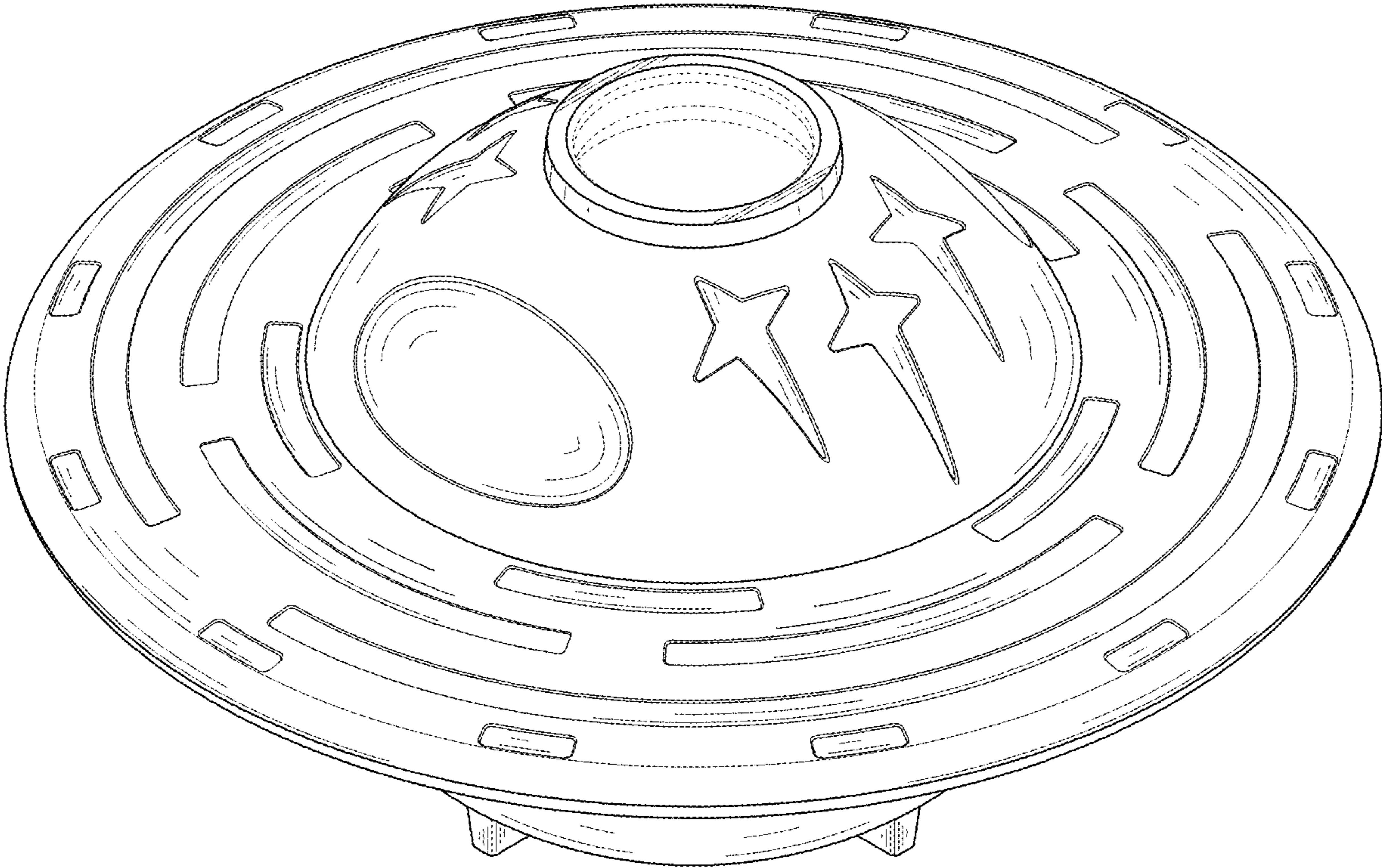


FIG. 1

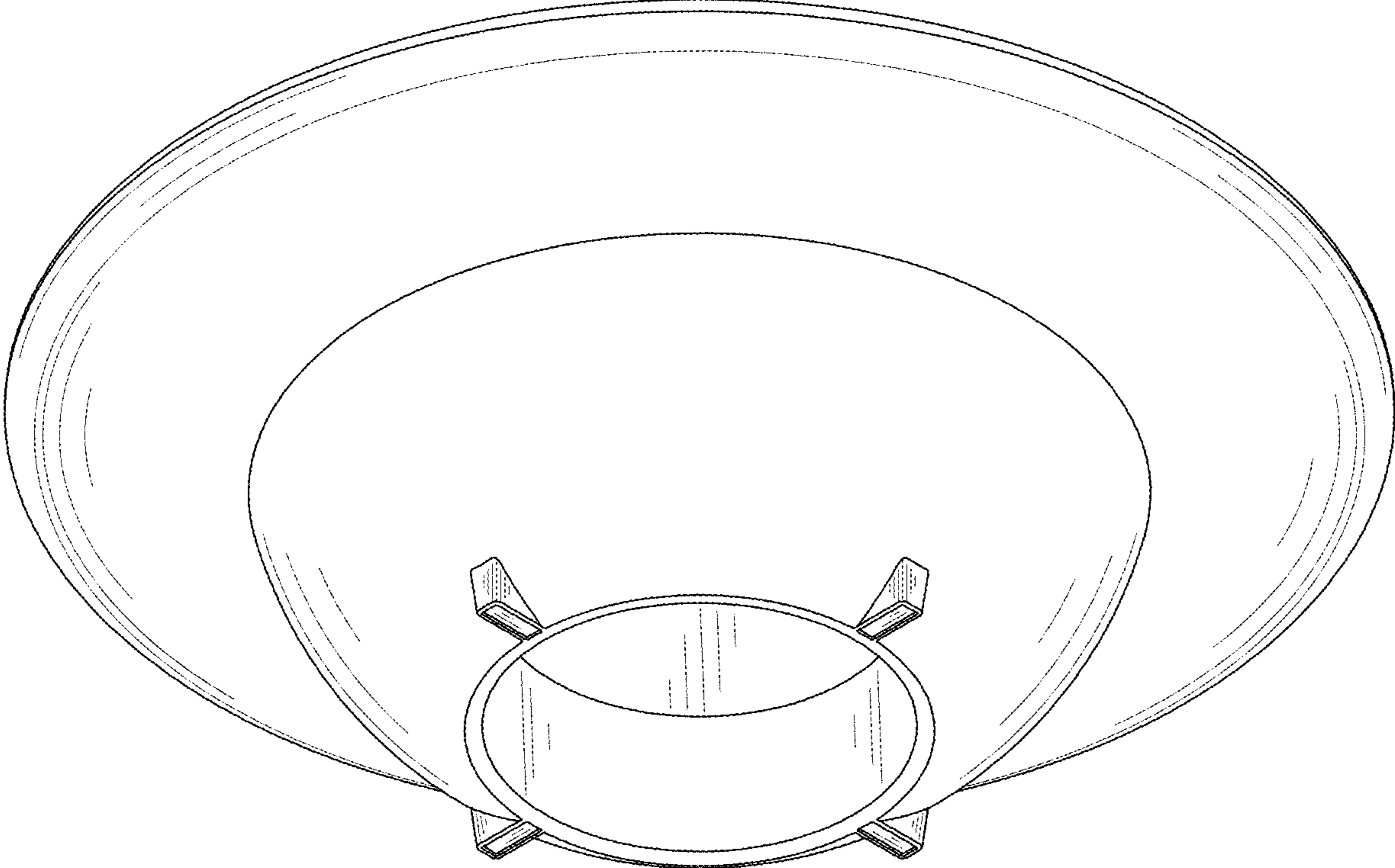


FIG. 2

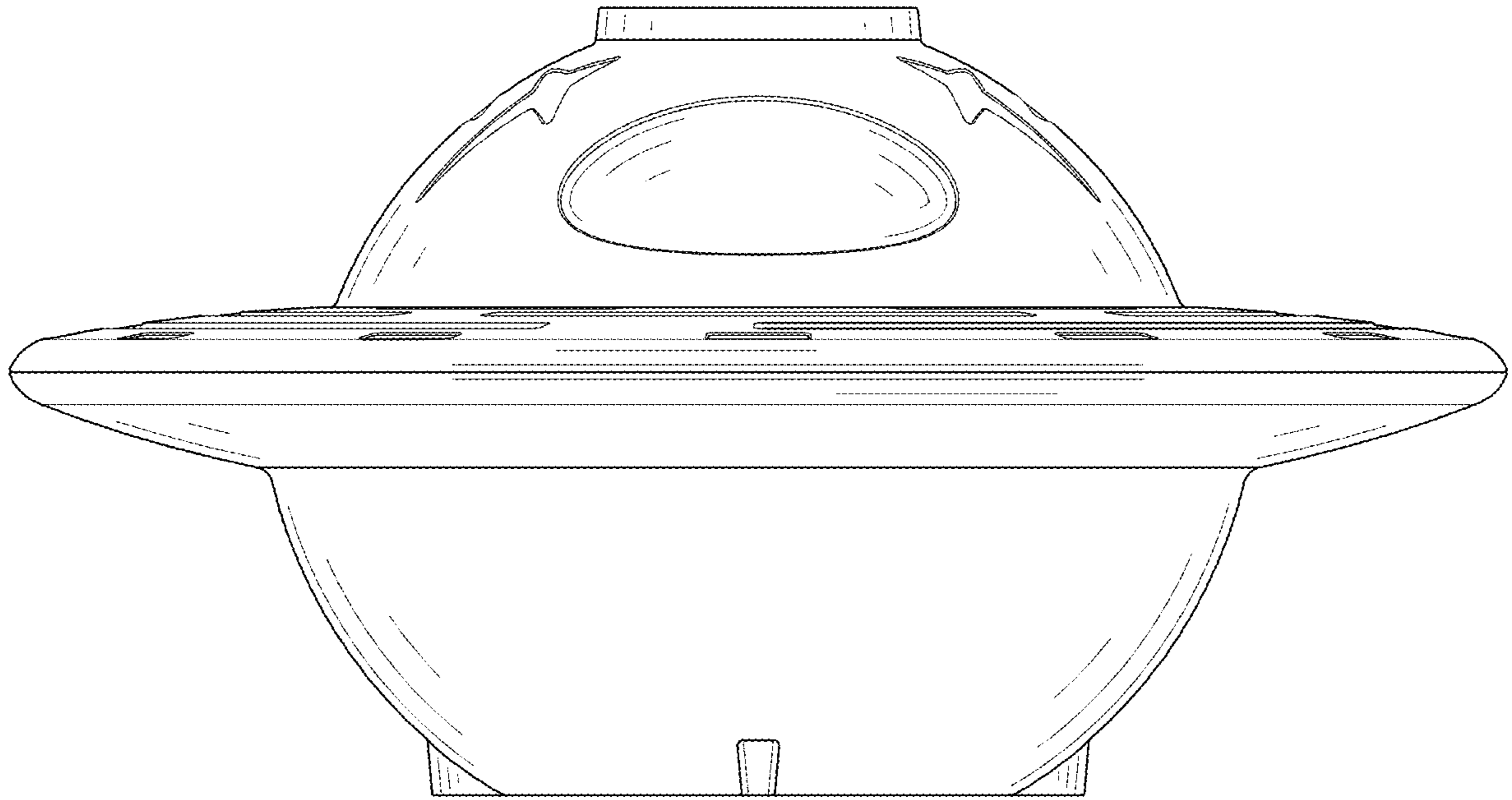


FIG. 3

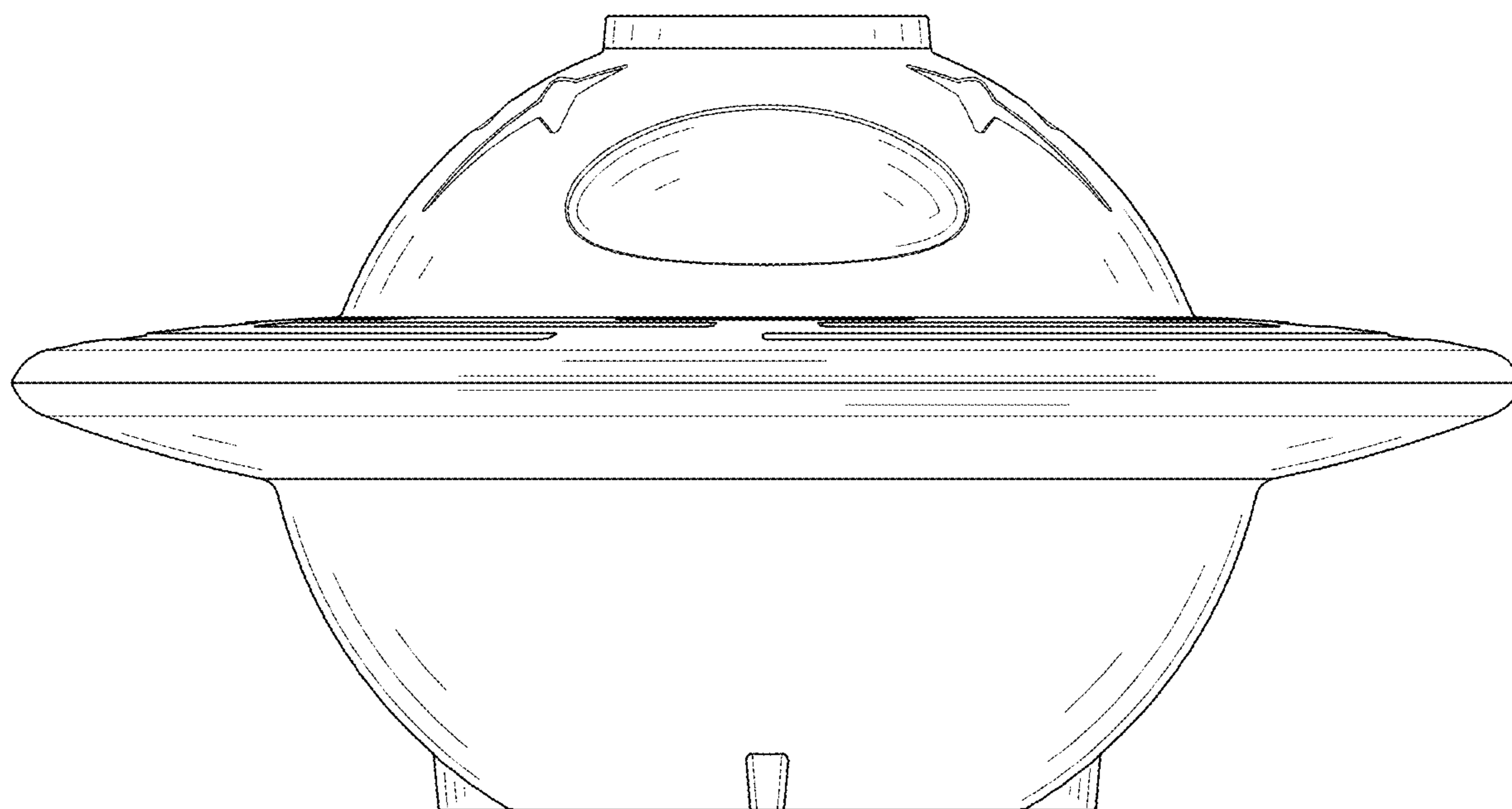


FIG. 4

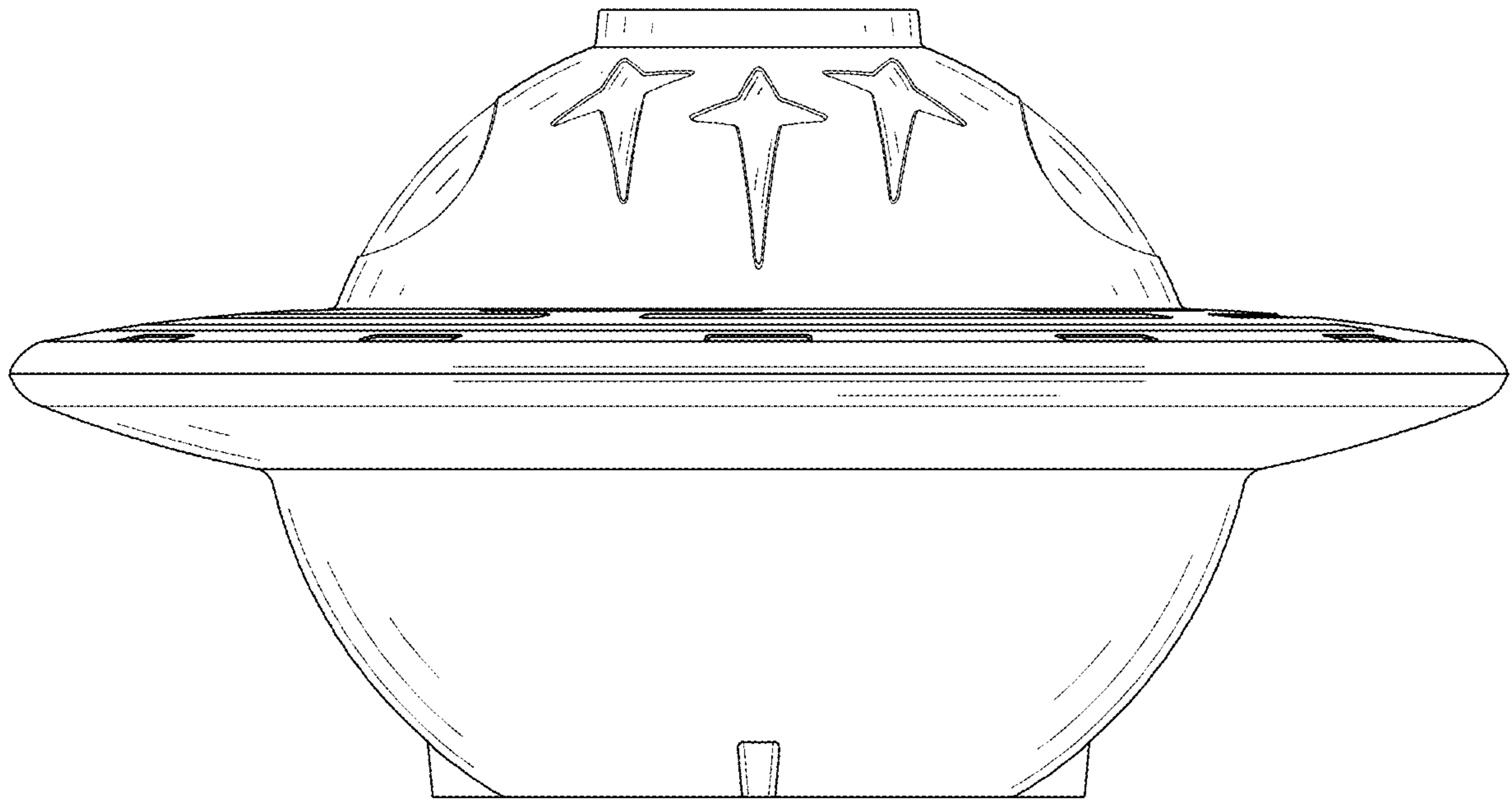


FIG. 5

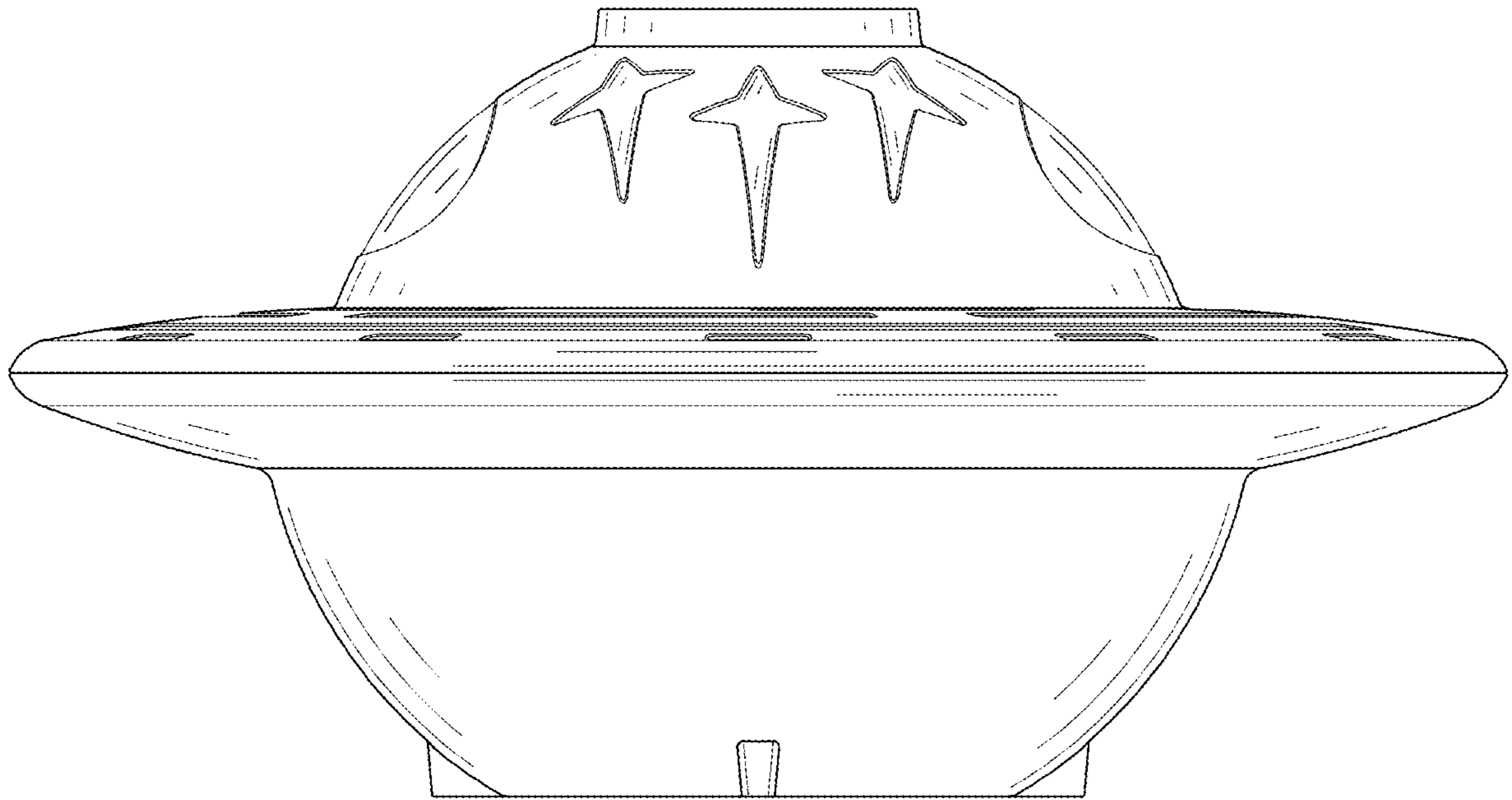


FIG. 6

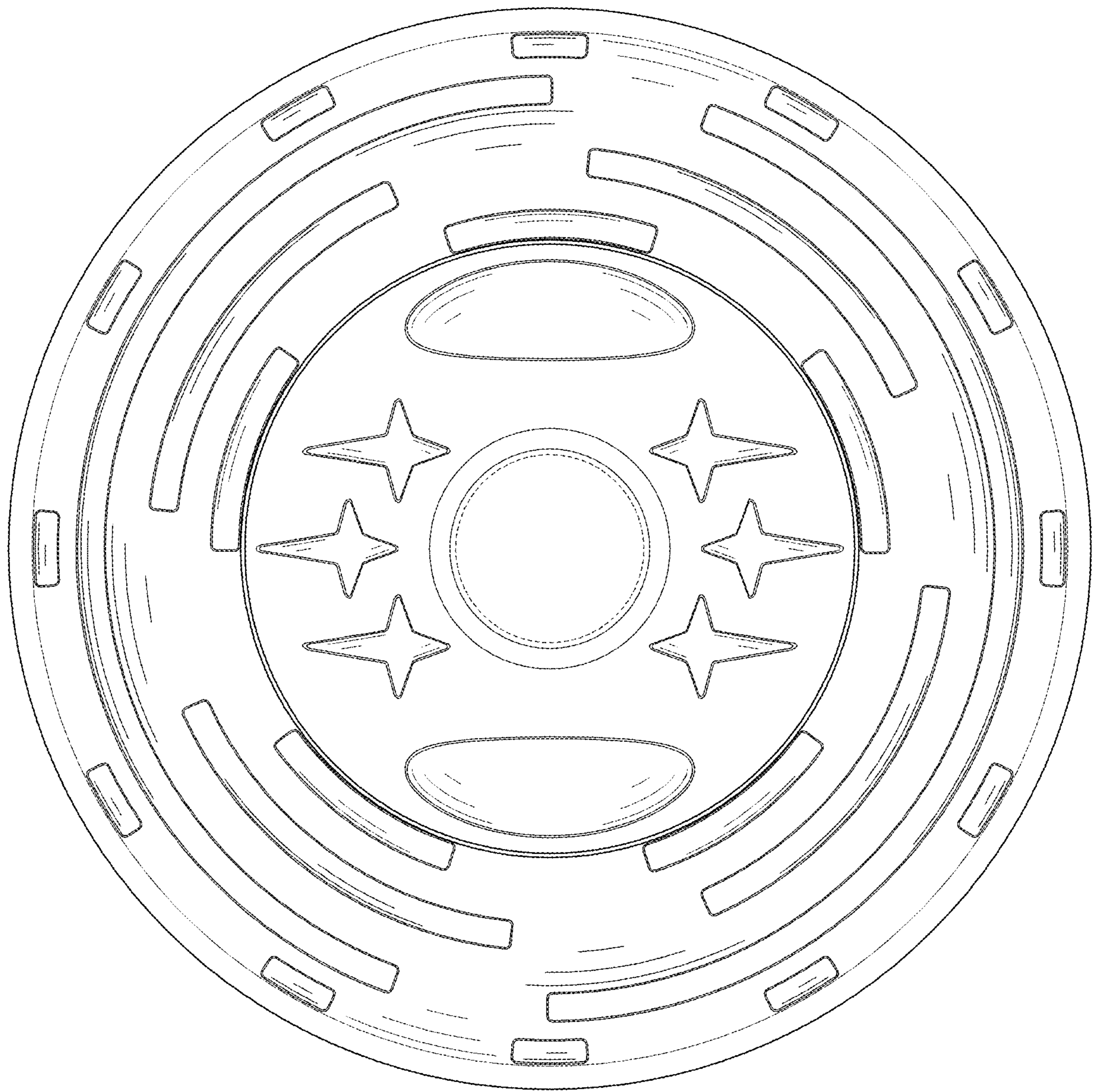


FIG. 7

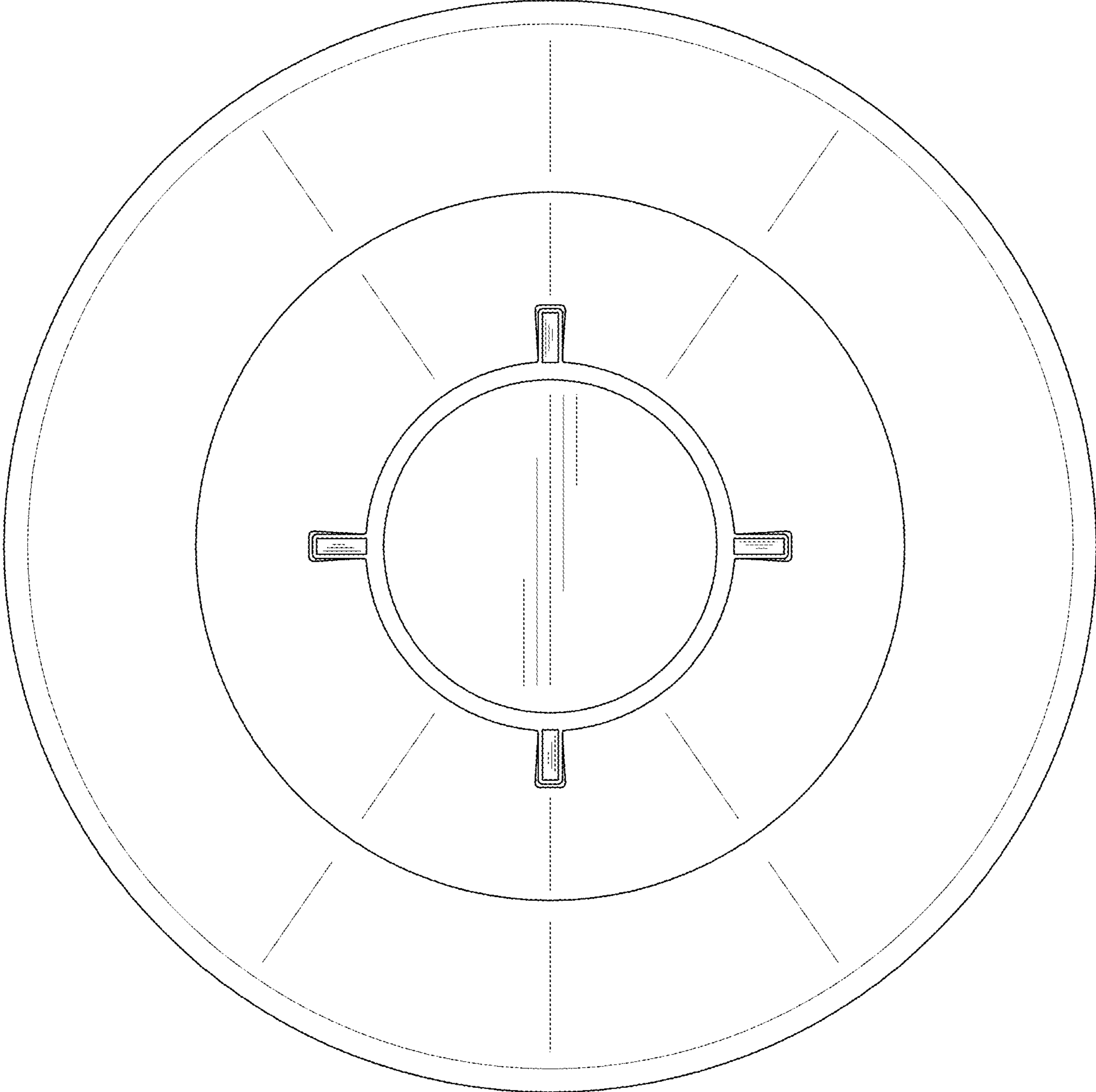


FIG. 8