



US00D965212S

(12) **United States Design Patent**
Evans

(10) **Patent No.:** **US D965,212 S**

(45) **Date of Patent:** **** Sep. 27, 2022**

(54) **SMOKING APPARATUS**

10,881,135 B1 * 1/2021 Magnuson A61M 15/0023
D909,665 S * 2/2021 Volodarsky D27/162
D921,970 S * 6/2021 Dunn D27/162

(71) Applicant: **Gravitron, LLC**, Austin, TX (US)

(72) Inventor: **Micah Evans**, Austin, TX (US)

(73) Assignee: **GRAVITRON, LLC**, Austin, TX (US)

(**) Term: **15 Years**

(21) Appl. No.: **29/755,021**

(22) Filed: **Oct. 16, 2020**

(51) **LOC (13) Cl.** **27-02**

(52) **U.S. Cl.**

USPC **D27/162**

(58) **Field of Classification Search**

USPC D27/162, 100, 103, 163–165, 167, 169,
D27/172, 180, 183, 194; D24/110, 110.5;
D23/360

CPC A24F 47/008; A24F 47/002; A24F 1/30;
A24F 1/02; A24F 1/00; A61M 11/00

See application file for complete search history.

(56) **References Cited**

U.S. PATENT DOCUMENTS

D745,738 S * 12/2015 Abdelmaseh D27/162
D754,915 S * 4/2016 Helou D27/162
D755,439 S * 5/2016 Helou D27/162
D844,231 S * 3/2019 Klimczyk D27/162
D846,187 S * 4/2019 Hoch D27/162
D854,740 S * 7/2019 Opp D27/162
D879,370 S * 3/2020 Aznavour D27/162

OTHER PUBLICATIONS

Smoking Gun Accessory By: Homia found on Amazon Oct. 23, 2021 <https://www.amazon.com/Smoking-Accessory-Smoke-Infuser-Accessories/dp/B07S726F5W/ref=sr> Jan. 31, 2020.*

* cited by examiner

Primary Examiner — Rebecca Tsehaye

(57) **CLAIM**

The ornamental design of a smoking apparatus substantially, as shown and described.

DESCRIPTION

FIG. 1 is a perspective view of a smoking apparatus showing my new design.

FIG. 2 is a front view thereof.

FIG. 3 is a rear view thereof.

FIG. 4 is a right-side view thereof.

FIG. 5 is a left-side view thereof.

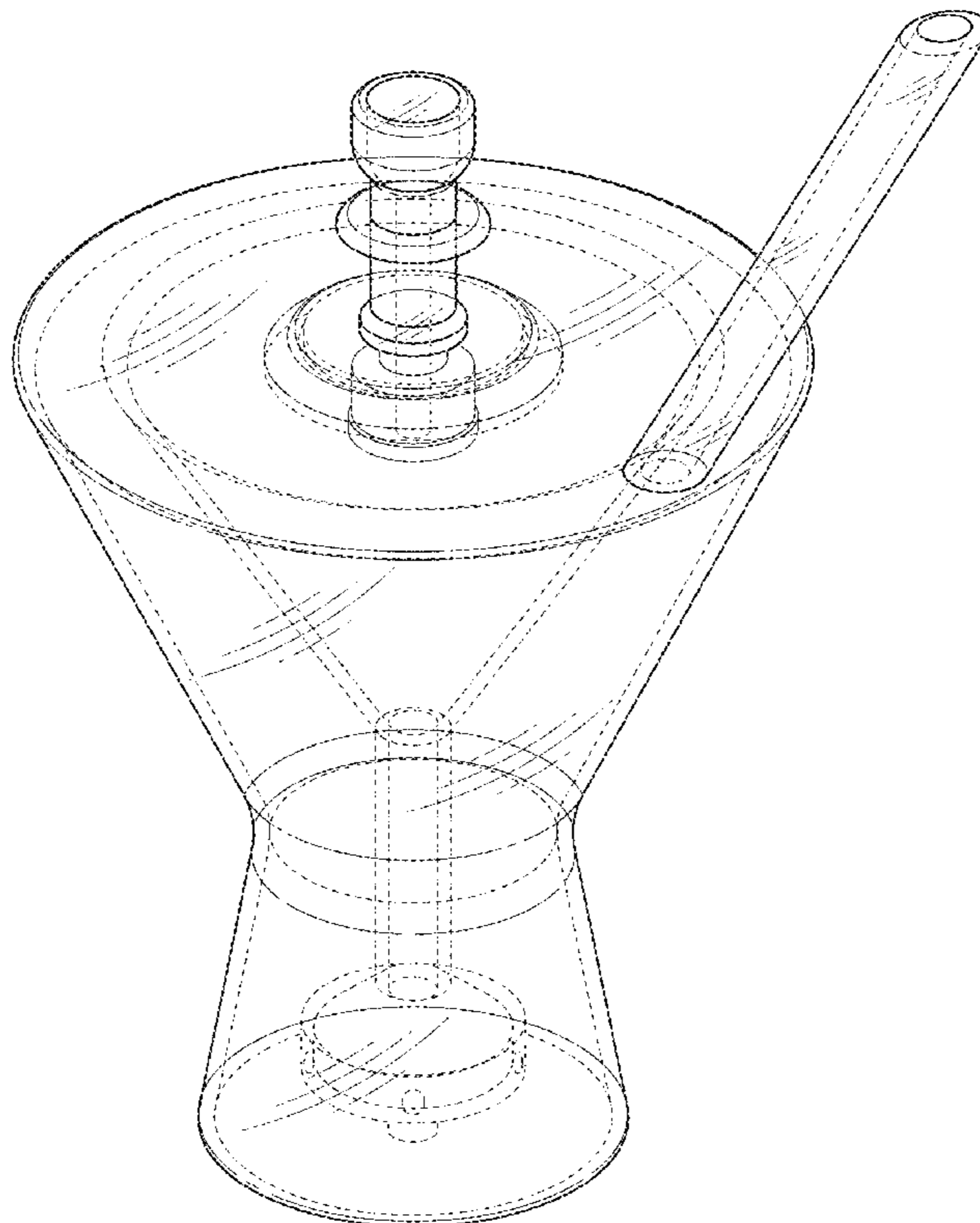
FIG. 6 is a top view thereof; and,

FIG. 7 is a bottom view thereof.

The features shown in broken lines in the various Figures form no part of the claimed design.

The invention pertains to an ornamental design for an article of manufacture. The article of manufacture can vary widely and is not limited to the scale shown herein. The article may be scaled to different sizes.

1 Claim, 7 Drawing Sheets



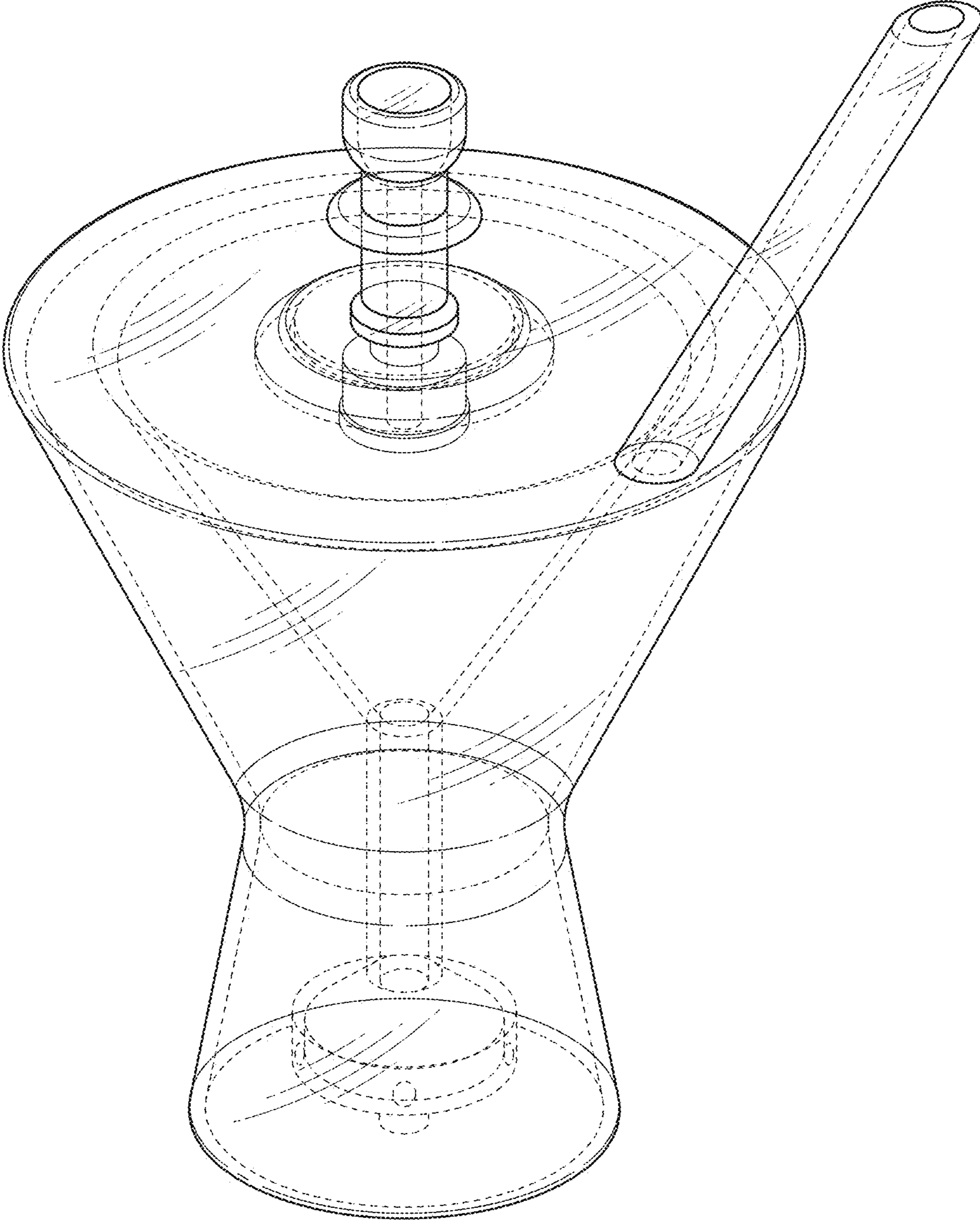


FIG. 1

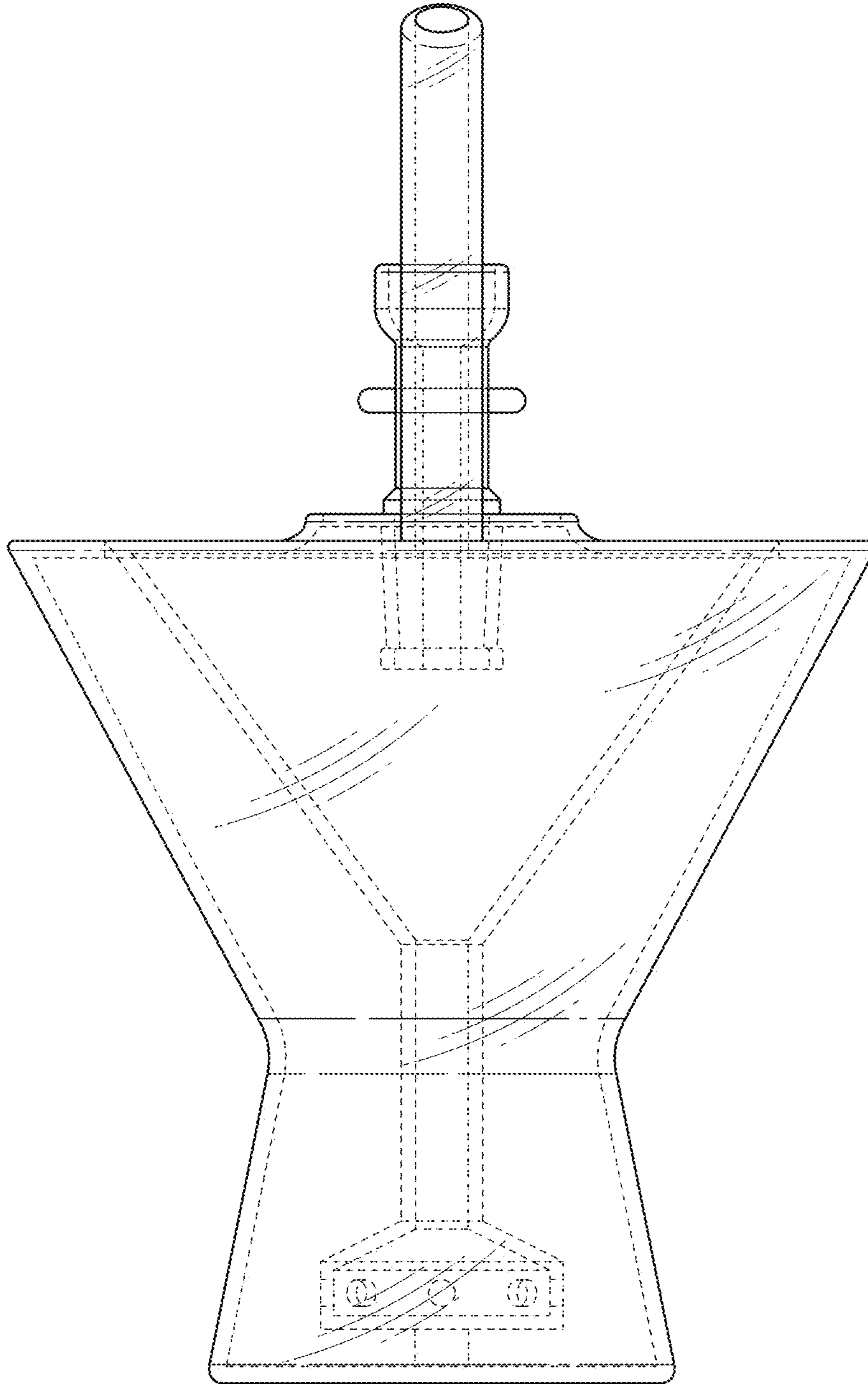


FIG. 2

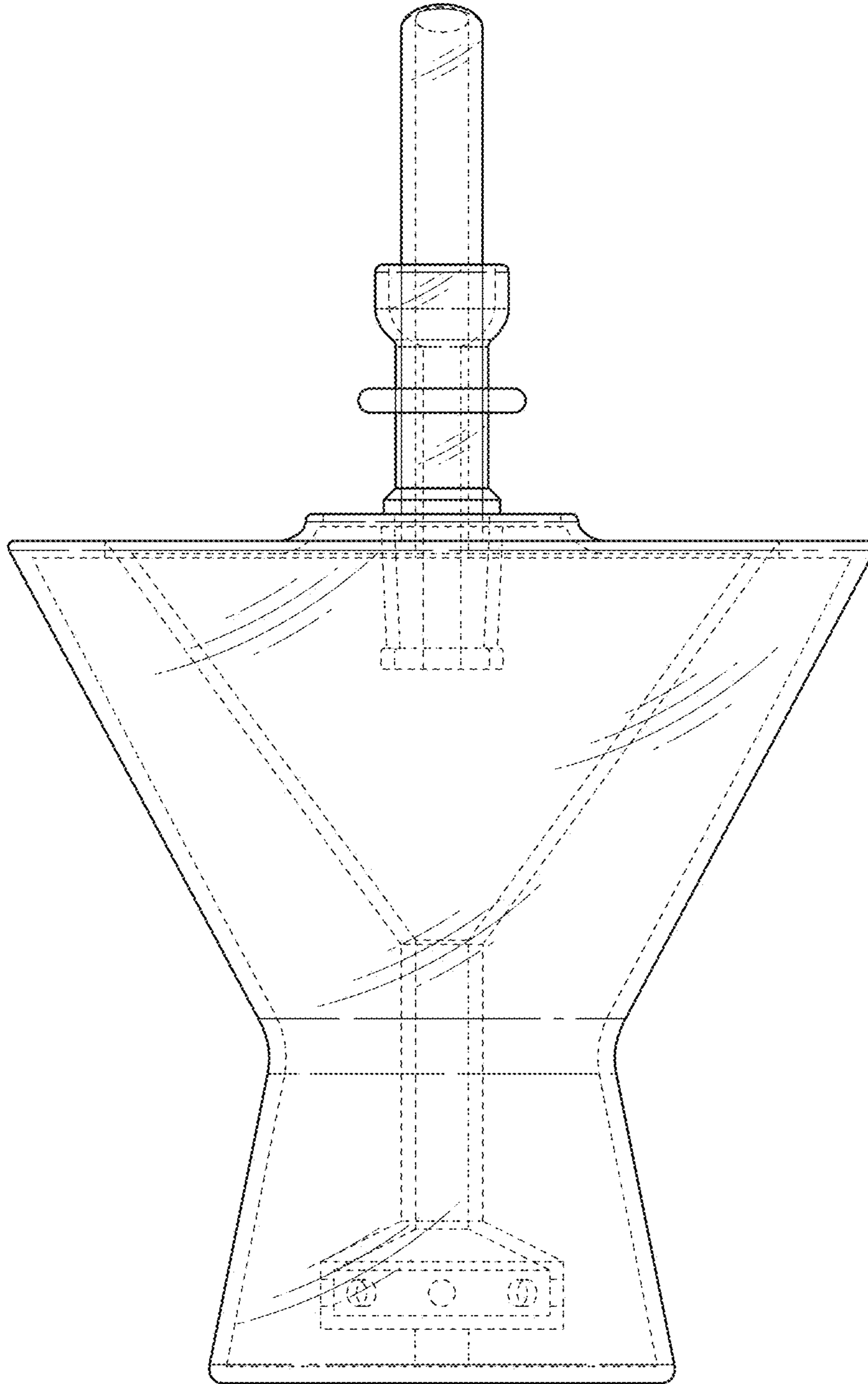


FIG. 3

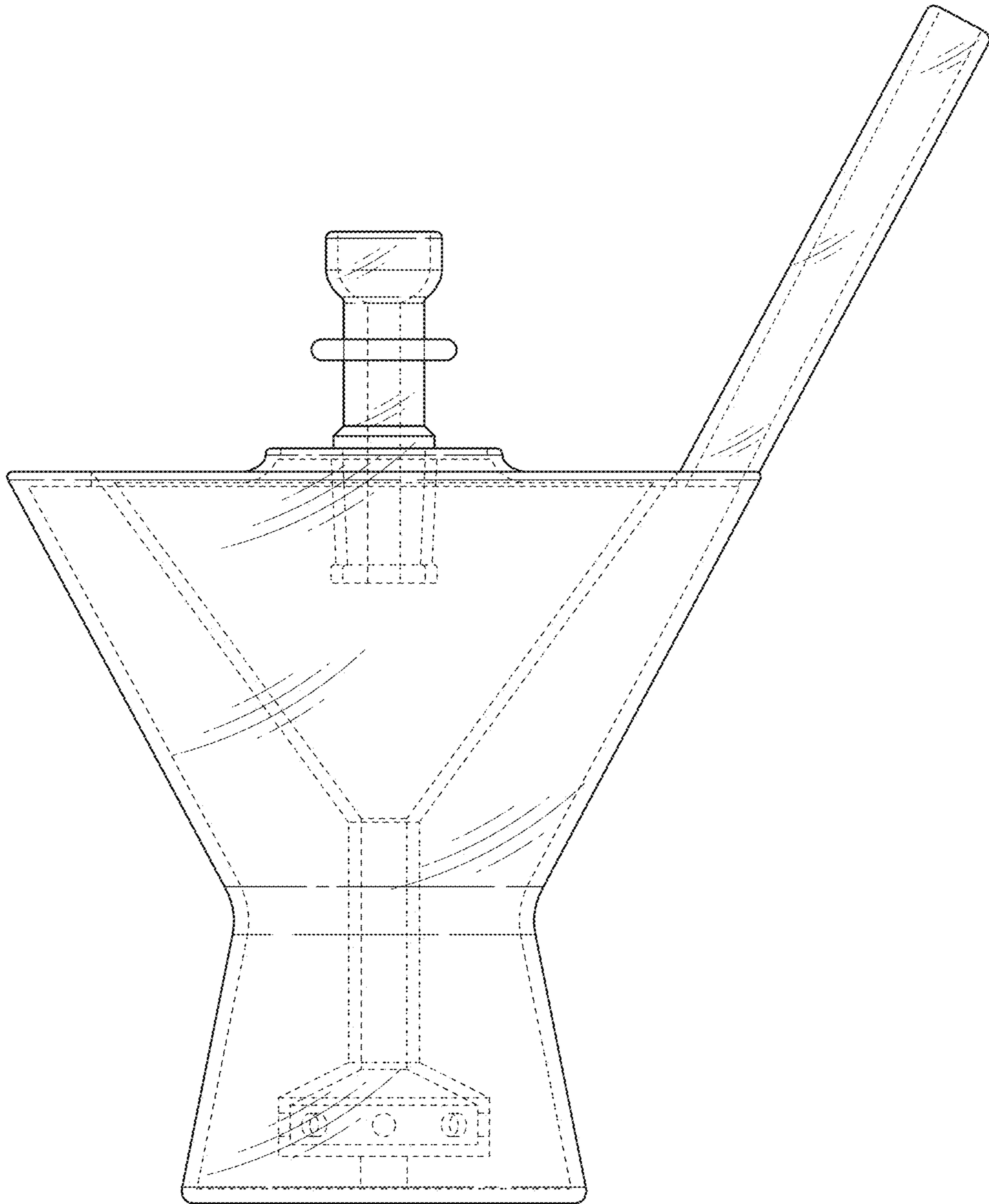


FIG. 4

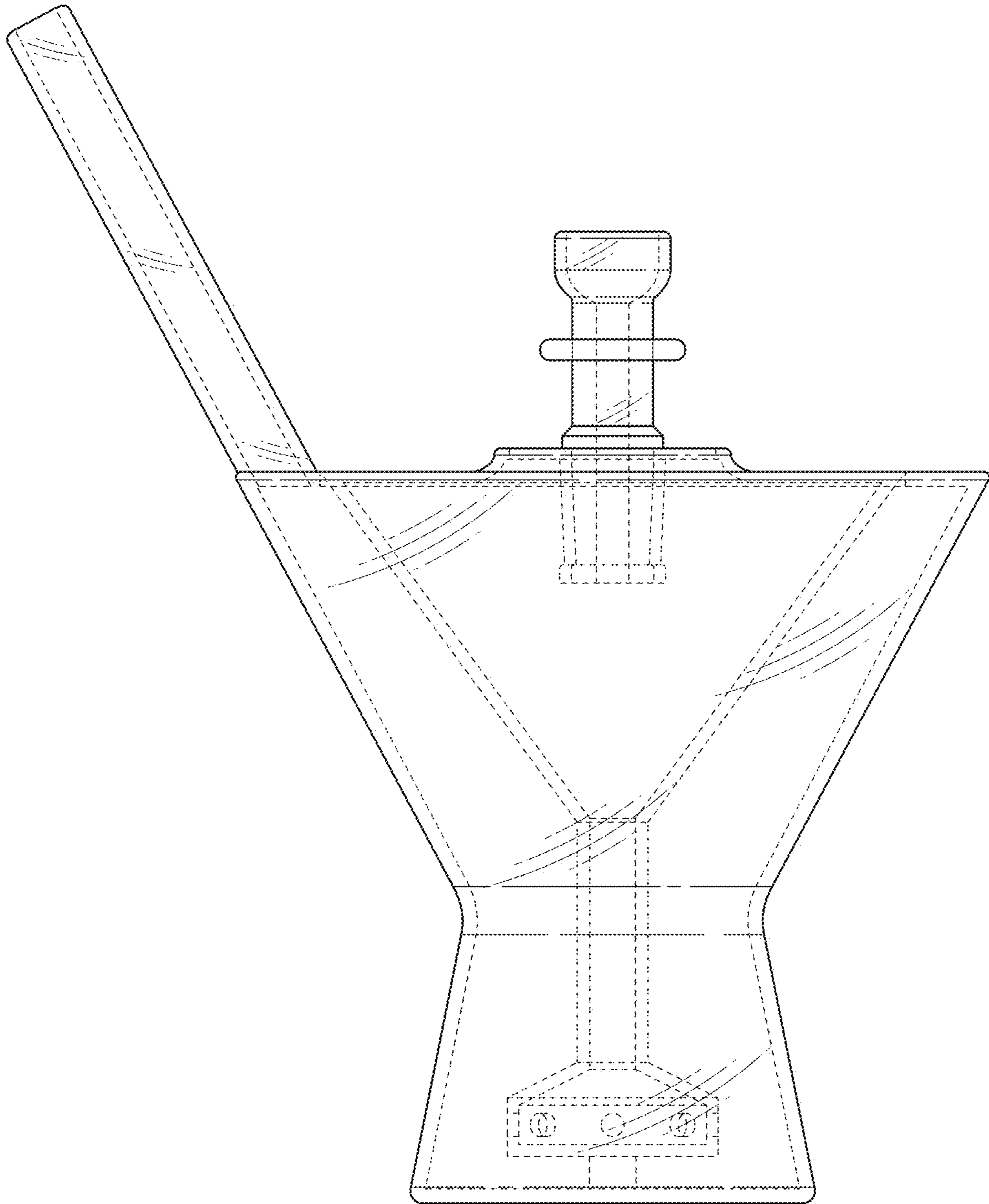


FIG. 5

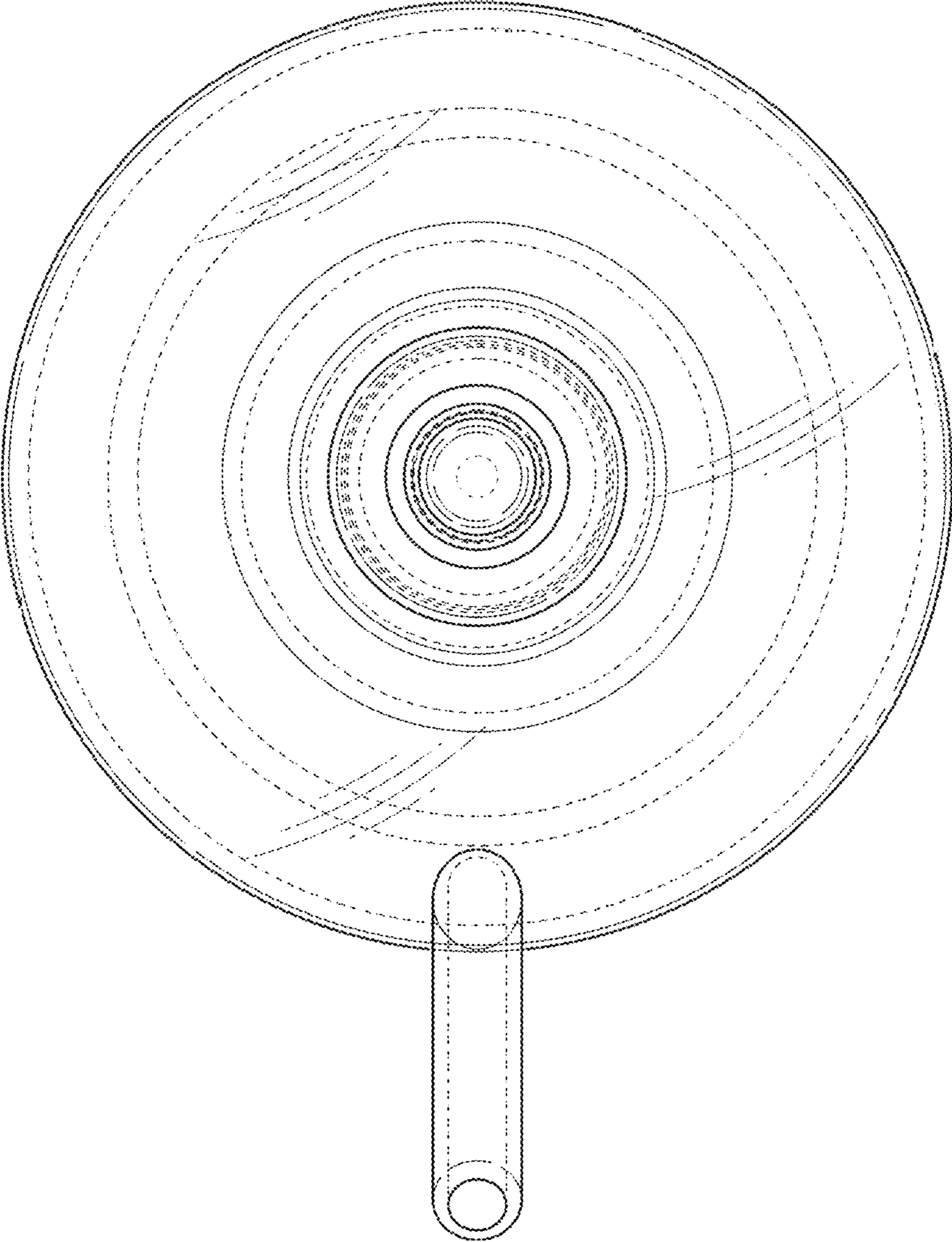


FIG. 6

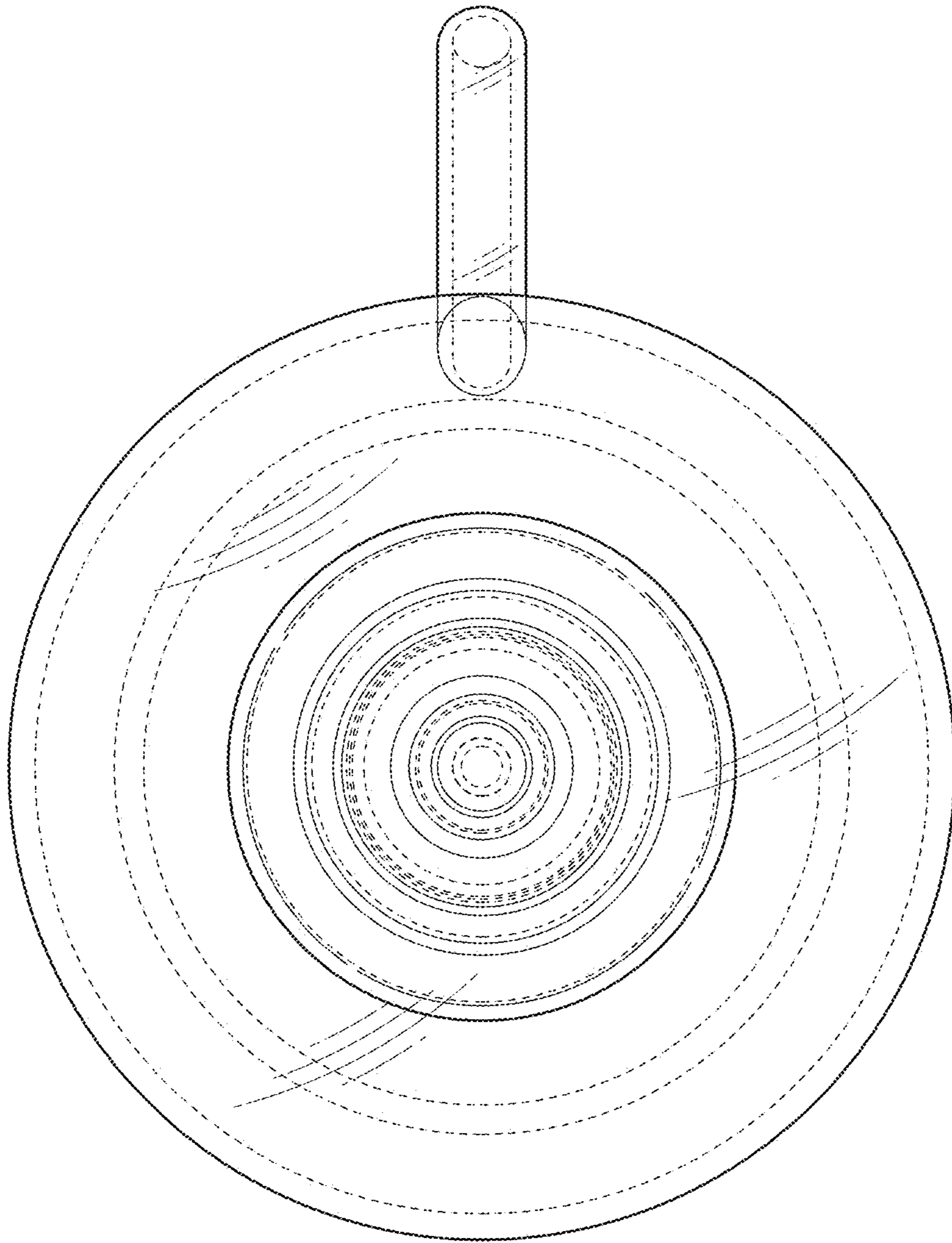


FIG. 7