



US00D965211S

(12) **United States Design Patent** (10) **Patent No.:** **US D965,211 S**
Goossens et al. (45) **Date of Patent:** **** Sep. 27, 2022**

(54) **SLOTTED PANEL OF A LIGHT FIXTURE HOUSING**

D693,051 S * 11/2013 Klu D26/138
D695,435 S 12/2013 Pederson
D695,953 S * 12/2013 Klu D26/138
D695,955 S * 12/2013 Klus D26/138
D697,663 S 1/2014 Speier et al.
D702,387 S 4/2014 Pedersen

(Continued)

(71) Applicant: **Electronic Theatre Controls, Inc.**,
Middleton, WI (US)

(72) Inventors: **Joe Goossens**, Middleton, WI (US);
Jon Rasche, Middleton, WI (US);
Charles Xu, Middleton, WI (US); **Zack Zlevor**, Middleton, WI (US)

FOREIGN PATENT DOCUMENTS

CN 201930727877.4 7/2020
CN 202030559489.2 5/2021

(73) Assignee: **Electronic Theatre Controls, Inc.**,
Middleton, WI (US)

OTHER PUBLICATIONS

(**) Term: **15 Years**

ETC Large Daylight HDR fos/4 Panel; 2022; <https://www.fullcompass.com/prod/588172-etc-large-daylight-hdr-fos-4-panel-24-x24-fos-4-panel-daylight-hdr-w-diffusion-and-true-l-power-cable>; 4Pgs. (Year: 2022).*

(Continued)

(21) Appl. No.: **29/720,715**

(22) Filed: **Jan. 15, 2020**

(51) **LOC (13) Cl.** **26-05**

(52) **U.S. Cl.**
USPC **D26/138; D26/152**

(58) **Field of Classification Search**
USPC D26/152, 141, 138, 122, 118, 113, 93,
D26/63, 60, 24; D25/42, 43, 48.4, 60,
D25/138; D16/237, 239
CPC F21S 4/00; F21S 4/20; F21S 4/28; F21S
8/00; F21S 8/024; F21S 8/026; F21S
8/031; F21S 8/033; F21S 8/035; F21S
8/036; F21S 8/037; F21V 15/00; F21V
15/01; F21V 15/04; F21V 15/012; F21V
15/013; F21V 15/015

See application file for complete search history.

Primary Examiner — Michelle E. Wilson

Assistant Examiner — Clese Moore, Jr.

(74) *Attorney, Agent, or Firm* — Michael Best &
Friedrich LLP

(57) **CLAIM**

We claim the ornamental design for a slotted panel of a light fixture housing, as shown and described.

DESCRIPTION

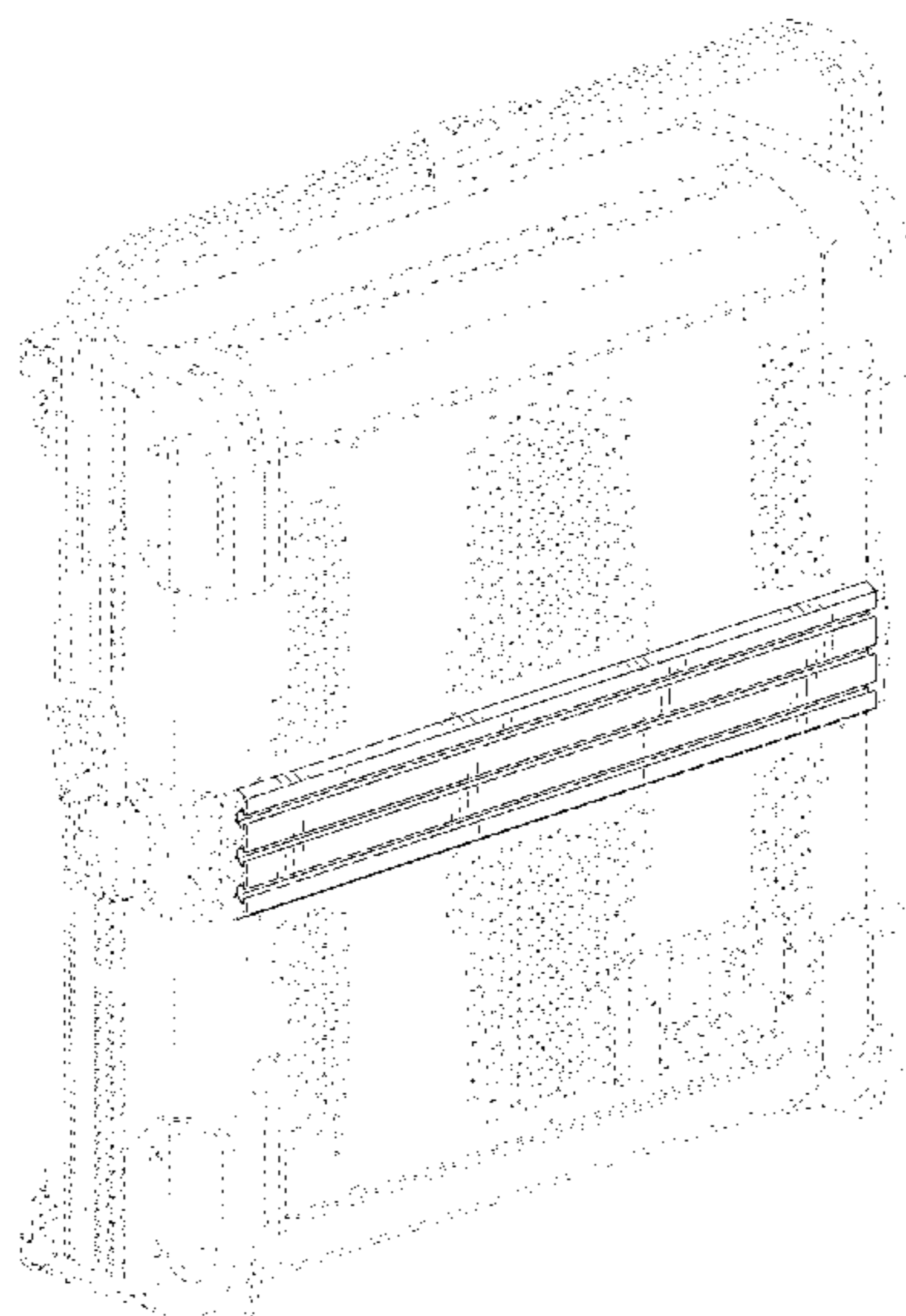
FIG. 1 is a perspective view of a slotted panel of a light fixture housing embodying the present invention. FIG. 2 is a right side view of the design shown in FIG. 1. FIG. 3 is a left side view of the design shown in FIG. 1. FIG. 4 is a rear view of the design shown in FIG. 1. FIG. 5 is a top view of the design shown in FIG. 1; and, FIG. 6 is a bottom view of the design shown in FIG. 1. The portions of the light fixture shown in broken lines form no part of the claimed design. The slotted panel is not visible in the view opposite FIG. 4.

1 Claim, 6 Drawing Sheets

(56) **References Cited**

U.S. PATENT DOCUMENTS

D292,619 S * 11/1987 Chen D26/141
D570,037 S 5/2008 Hartman
D632,418 S * 2/2011 Bisberg D26/76
D634,471 S 3/2011 Hsieh
D650,504 S 12/2011 Kim et al.
D673,712 S * 1/2013 Patel D26/74



(56)

References Cited

U.S. PATENT DOCUMENTS

D715,994 S * 10/2014 Klus D26/141
 D724,256 S * 3/2015 Klus D26/141
 D724,260 S * 3/2015 Klus D26/141
 D738,555 S 9/2015 Kjaergaard
 D749,775 S 2/2016 Provitola
 D767,188 S 9/2016 Jigamian
 D785,219 S 4/2017 Swai et al.
 D792,017 S * 7/2017 Klus D26/141
 D796,111 S * 8/2017 Trzcielinski D26/142
 D797,339 S * 9/2017 Wang D26/63
 D800,374 S 10/2017 Klus
 D800,810 S * 10/2017 Hynek D15/143
 D803,448 S * 11/2017 Dupras D26/63
 D807,572 S * 1/2018 Klus D26/138
 D814,678 S * 4/2018 Zhan D26/63
 D827,174 S 8/2018 Yu
 D832,489 S * 10/2018 Agro D26/113
 D842,520 S * 3/2019 Brandrup D26/63
 D854,212 S * 7/2019 Yuan D26/63
 D858,846 S * 9/2019 Flügel D26/63
 D860,499 S 9/2019 Graham et al.
 D862,787 S * 10/2019 Rashidi Doust D26/24
 D868,353 S * 11/2019 Trzcielinski D26/138
 D869,070 S * 12/2019 Trzcielinski D26/138
 D869,077 S * 12/2019 Trzcielinski D26/138
 D869,544 S * 12/2019 Zhan D16/237
 D875,299 S * 2/2020 Trzcielinski D26/138
 D880,742 S 4/2020 Li et al.
 D886,336 S 6/2020 Wang
 D898,970 S 10/2020 Chen et al.
 D899,657 S 10/2020 You
 D903,188 S 11/2020 Kruger
 D903,917 S 12/2020 Pietschmann
 D911,570 S 2/2021 Zheng

D912,867 S 3/2021 Qiu
 D925,818 S 7/2021 Pan
 D929,004 S 8/2021 Qui
 D929,031 S 8/2021 Sieczkowski
 2004/0107667 A1 6/2004 White et al.
 2007/0187412 A1 8/2007 Gruskin et al.

OTHER PUBLICATIONS

ETC fos/4 PL16—Lustr X8 LED Studio Panel 16"×24"; 2022; <https://www.farralane.com/etc-fos-4-pl16-lustr-x8-led-studio-panel-16-x-24.html>; 6Pgs. (Year: 2022).*

Amazon, “Richelieu Hardware BP954278900 Traditional Corner Bracket”, first available Aug. 11, 2016 (<https://www.amazon.com/Richelieu-Hardware-B-P954278900-Traditional-Decorative/dp/B01K70F1YS/>)(Year: 2016).

I Instagram, “electronictheatrecontrols” first available Jan. 15, 2020. (https://www.instagram.com/p/B7V_pQMpUVU/) (Year: 2020).

Amazon, “4 Pcs 2.4 × 2.9 × 1.8 Inch Foldable Support Bracket”, first available Mar. 1, 2021. (<https://www.amazon.com/dp/B08XQWYV3W/>) (Year: 2021).

Amazon, “OTTF 10 Pcs 2_{1/8} × 4_{1/2} In Surface Mount Corner Bracket”, first available Feb. 8, 2021. (<https://www.amazon.com/dp/B08W4XFPN9/>) (Year: 2021).

Amazon, “Kekeou LED Flood Light”, first available Dec. 17, 2020. (<https://www.amazon.com/dp/B08QV33CCN/>) (Year: 2020).

Amazon, “SUPGLAZ 100W Rechargeable LED Work Light”, first available Sep. 22, 2020. (<https://www.amazon.com/Rechargeable-Waterproof-Portable-Floodlight-Workshop/dp/B08JQPPV86/>)(Year: 2020).

Amazon, “Lume Cube Bicolor Mountable LED Light”, first available Jun. 2, 2020. (<https://www.amazon.com/Panel-Bicolor-Light-Content-Creation/dp/B089KRKMML/>) (Year: 2020).

* cited by examiner

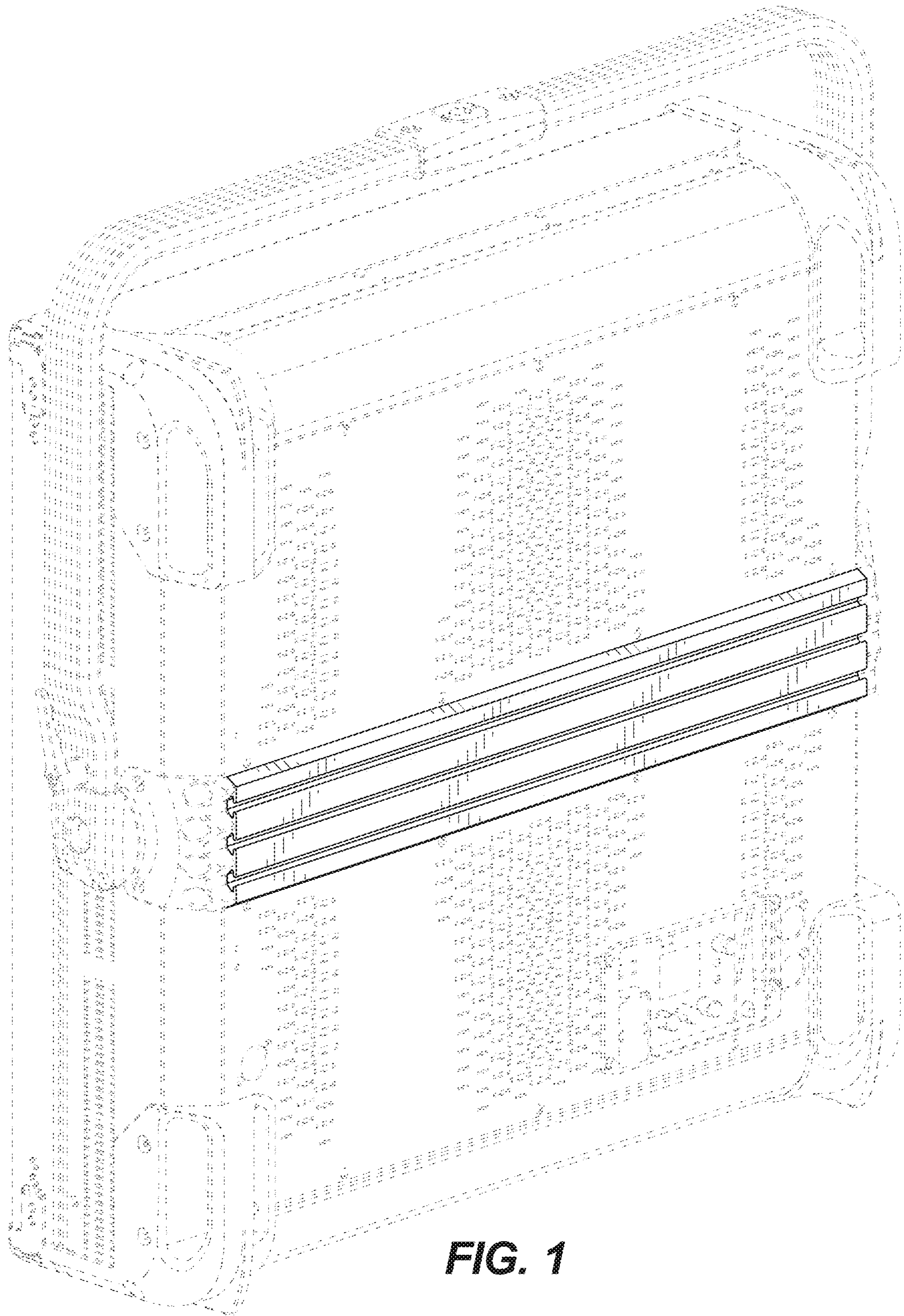


FIG. 1

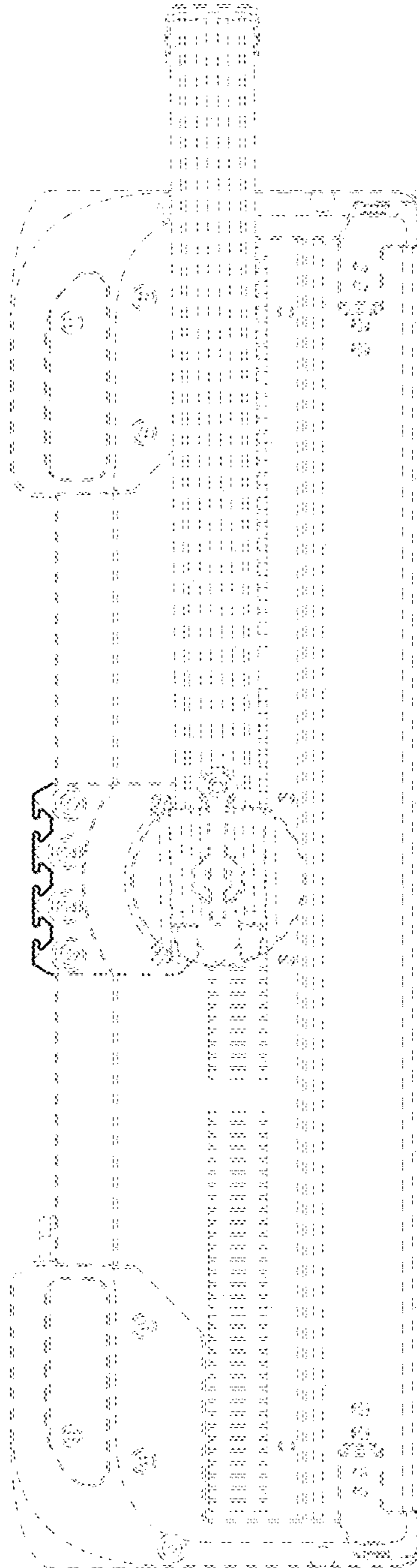


FIG. 2

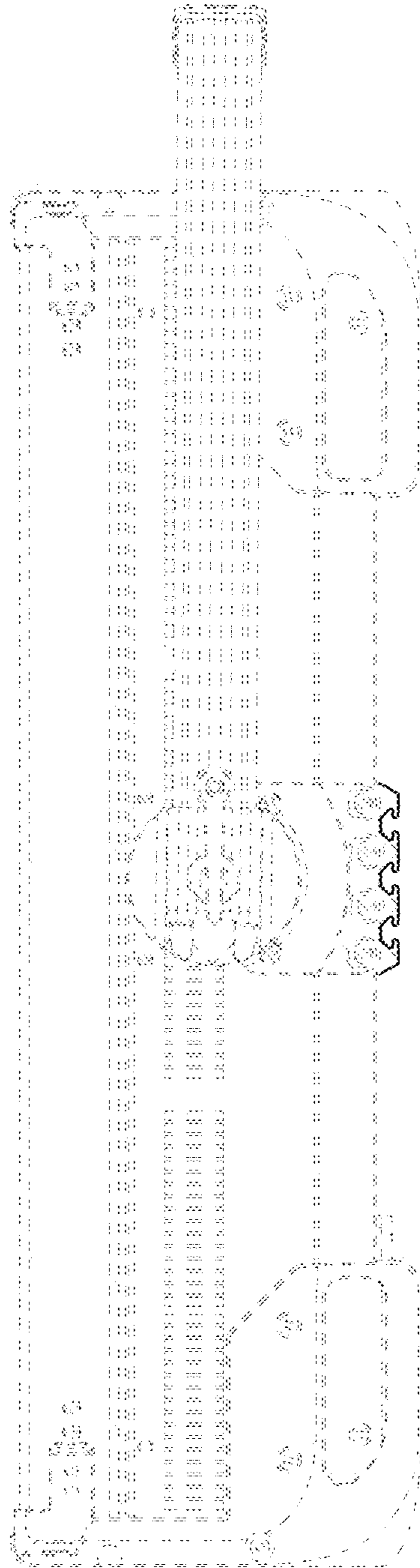


FIG. 3

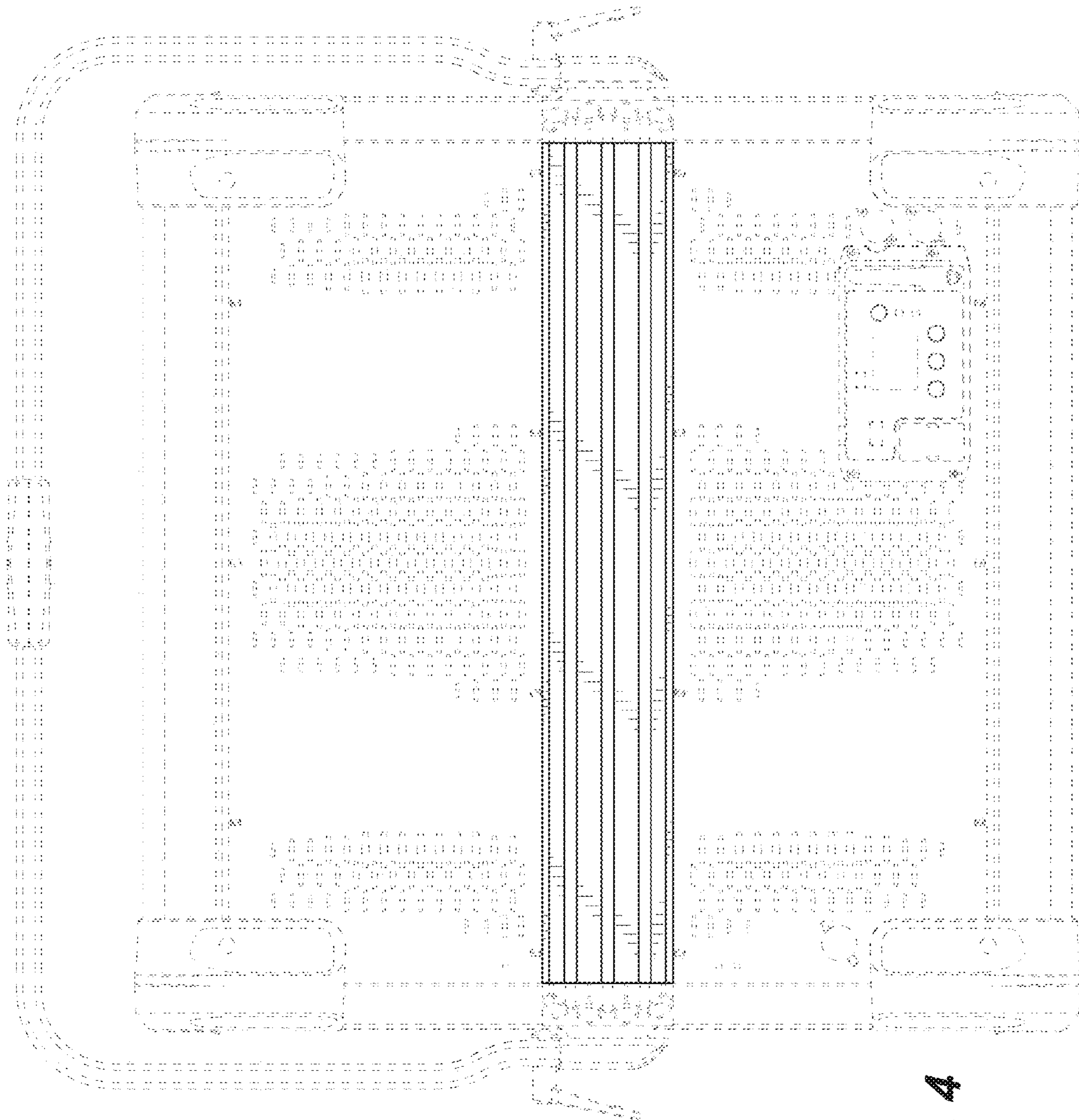


FIG. 4

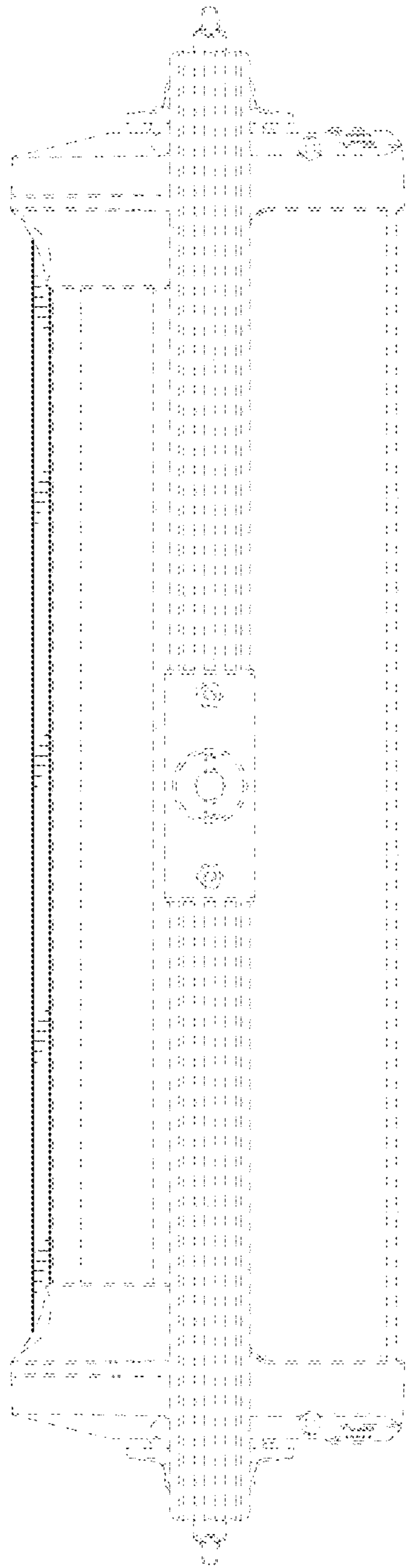


FIG. 5

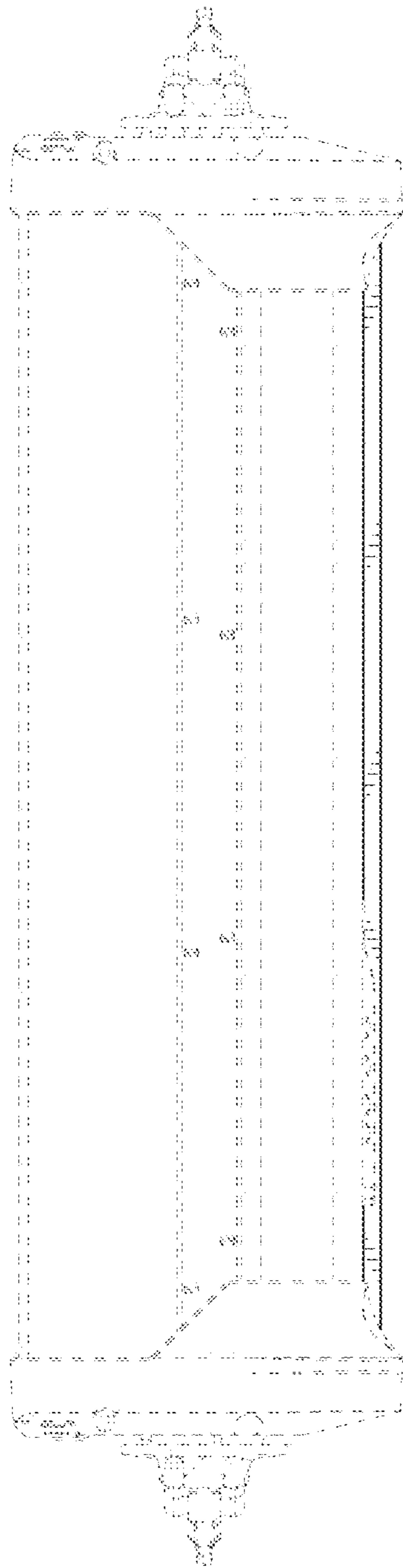


FIG. 6