



US00D965209S

(12) **United States Design Patent**
Zhou et al.

(10) **Patent No.:** **US D965,209 S**

(45) **Date of Patent:** **** Sep. 27, 2022**

(54) **LED LIGHT PANEL**

(71) Applicant: **Shenzhen ThanksHome Technology Co., Ltd.**, Shenzhen (CN)

(72) Inventors: **Chaoqun Zhou**, Longchuan (CN);
Chong Zhang, Shenzhen (CN)

(**) Term: **15 Years**

(21) Appl. No.: **29/784,329**

(22) Filed: **May 19, 2021**

(51) **LOC (13) Cl.** **26-05**

(52) **U.S. Cl.**
USPC **D26/118**; D26/122

(58) **Field of Classification Search**
USPC D26/24, 35, 60, 72, 74, 81, 83, 88, 89,
D26/118, 120, 122, 123, 124, 150
CPC F21S 8/00; F21S 8/02; F21S 8/03; F21S
8/04; F21S 8/06; F21S 8/026; F21S
8/043; F21S 4/20; F21S 4/28; F21Y
2105/00; F21Y 2105/12; F21Y 2105/16;
F21Y 2105/18; F21V 21/00; F21V 21/02;
F21V 21/03; F21V 21/041; F21V 21/047;
F21V 21/048; F21V 21/049
See application file for complete search history.

(56) **References Cited**

U.S. PATENT DOCUMENTS

| | | | | | |
|------------|---|---------|------------|-------|-----------|
| D81,490 S | * | 7/1930 | Kornblum | | D26/150 |
| D129,922 S | * | 10/1941 | Irmischer | | 362/225 |
| D340,001 S | * | 10/1993 | Watkins | | D10/114.2 |
| D391,881 S | * | 3/1998 | Youseph | | D10/113.4 |
| D425,812 S | * | 5/2000 | Bodo | | D10/113.4 |
| D448,393 S | * | 9/2001 | Hartlohner | | D15/139 |

| | | | | | |
|------------|---|---------|-----------------|-------|-----------|
| D520,395 S | * | 5/2006 | Lazalier | | D10/113.4 |
| D595,449 S | | 6/2009 | Ko et al. | | |
| D595,450 S | | 6/2009 | Ko et al. | | |
| D669,759 S | * | 10/2012 | Castilleja | | D9/456 |
| RE45,162 E | * | 9/2014 | Hierzer | | D26/74 |
| D723,214 S | | 2/2015 | Wang et al. | | |
| D866,681 S | * | 11/2019 | Hwang | | D21/505 |
| D895,174 S | | 9/2020 | Rodinger et al. | | |
| D901,743 S | | 11/2020 | Wang et al. | | |
| D926,351 S | * | 7/2021 | Zhou | | D26/118 |
| D926,352 S | * | 7/2021 | Zhou | | D26/118 |

* cited by examiner

Primary Examiner — Wan Laymon

Assistant Examiner — Clint A Samuel

(74) *Attorney, Agent, or Firm* — Runit Ranjit Kanakia

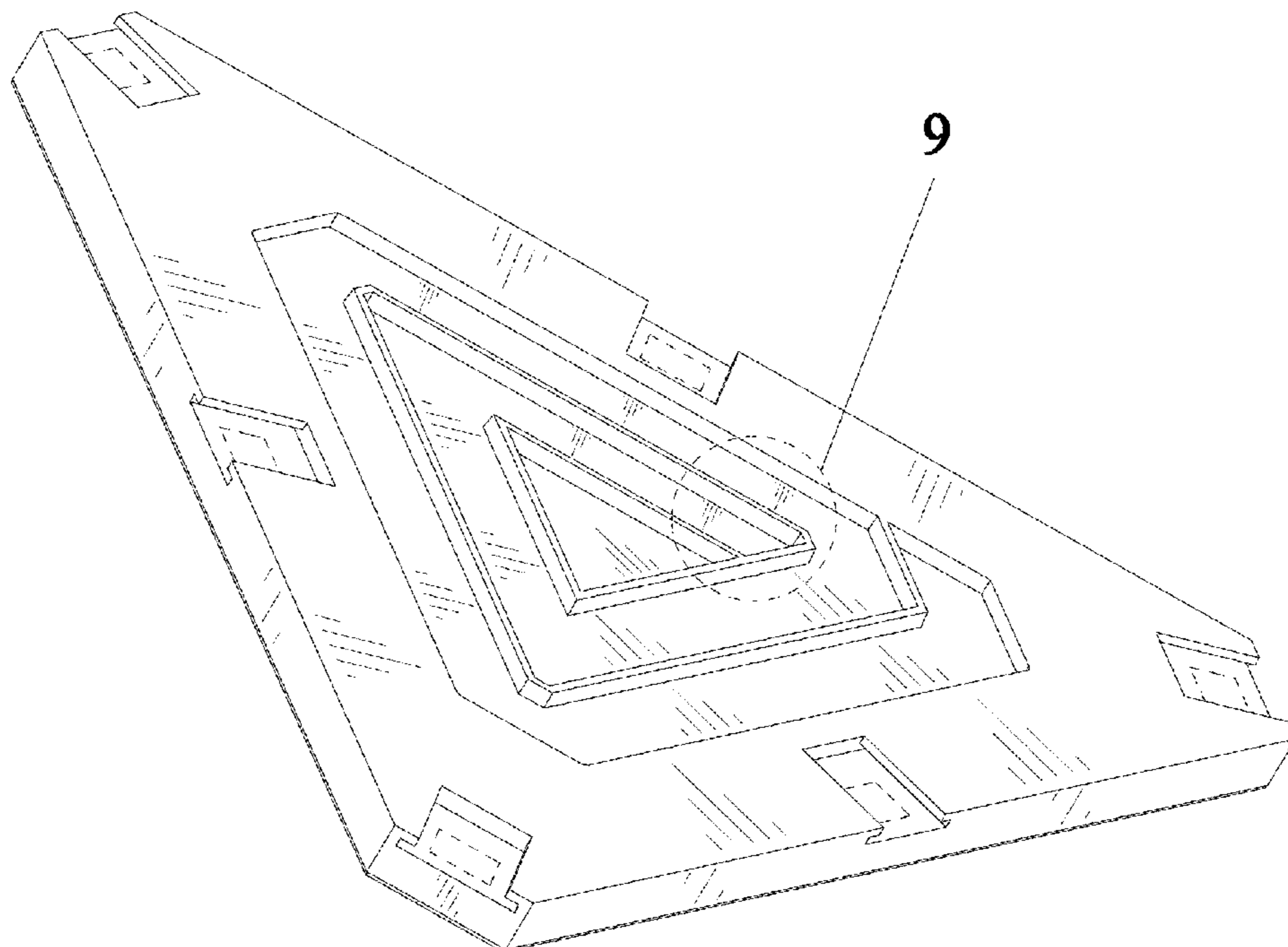
(57) **CLAIM**

We claim the ornamental design for an LED light panel, as shown and described.

DESCRIPTION

FIG. 1 is a Front Perspective view of an LED light panel showing my new design;
 FIG. 2 is a Back Perspective view thereof;
 FIG. 3 is a Right-side view thereof;
 FIG. 4 is a Left-side view thereof;
 FIG. 5 is a Front view thereof;
 FIG. 6 is a Back view thereof;
 FIG. 7 is a Top view thereof;
 FIG. 8 is a Bottom view thereof; and,
 FIG. 9 is a Perspective view of an LED light panel showing in zoom position.
 The broken lines in the drawings depict portions of the LED light panel that form no part of the claimed design.

1 Claim, 9 Drawing Sheets



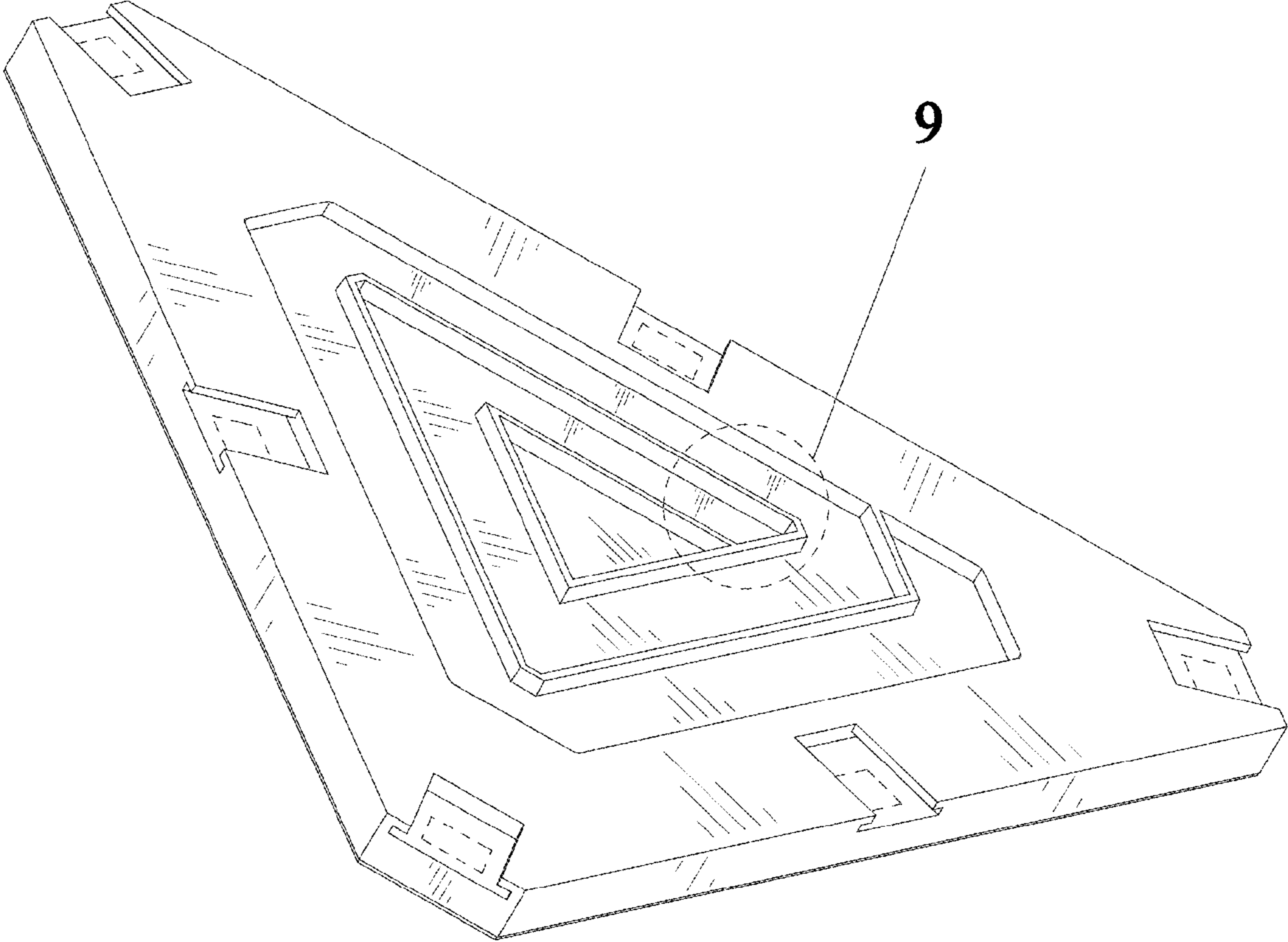


FIG. 1

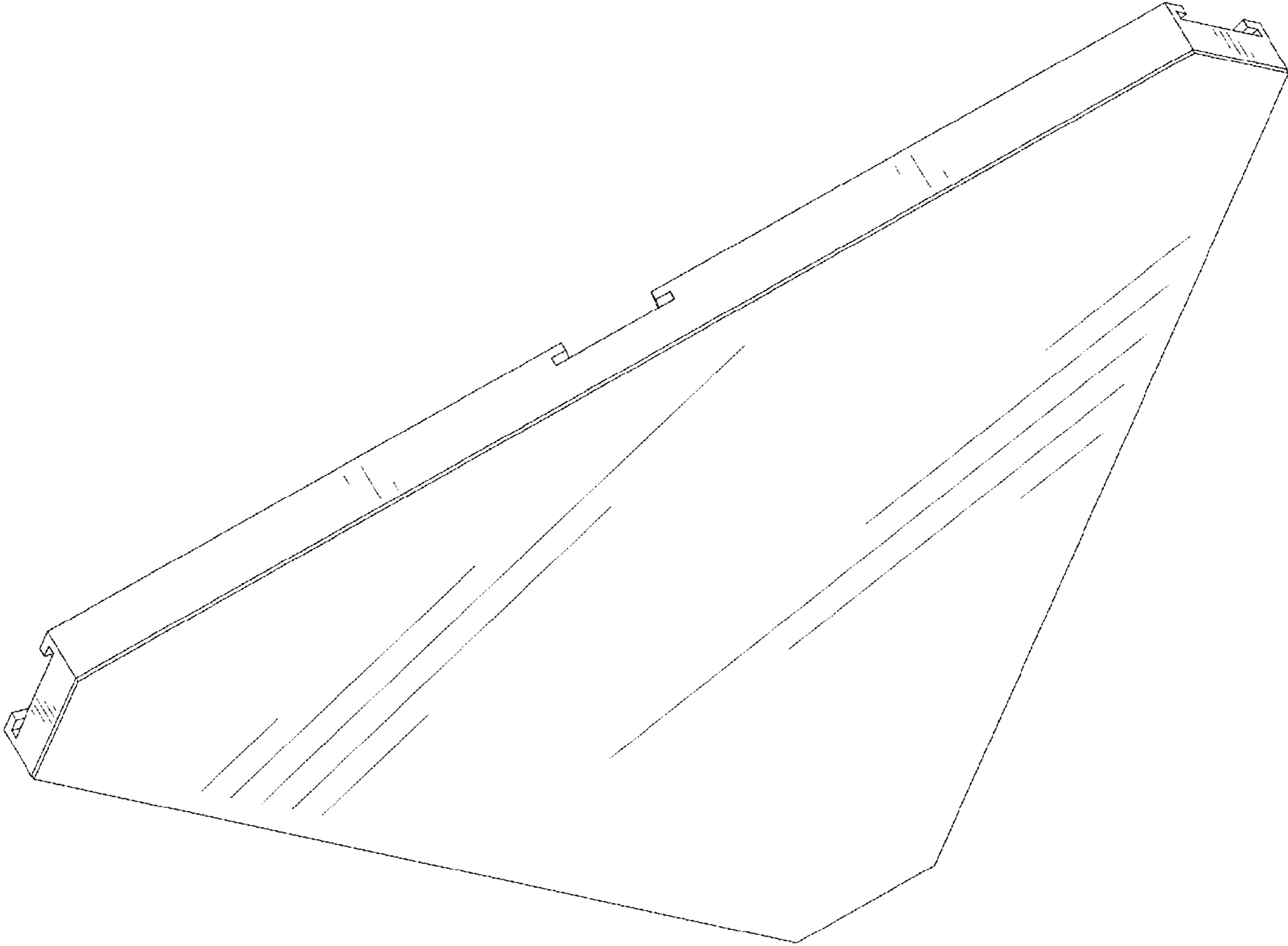


FIG. 2

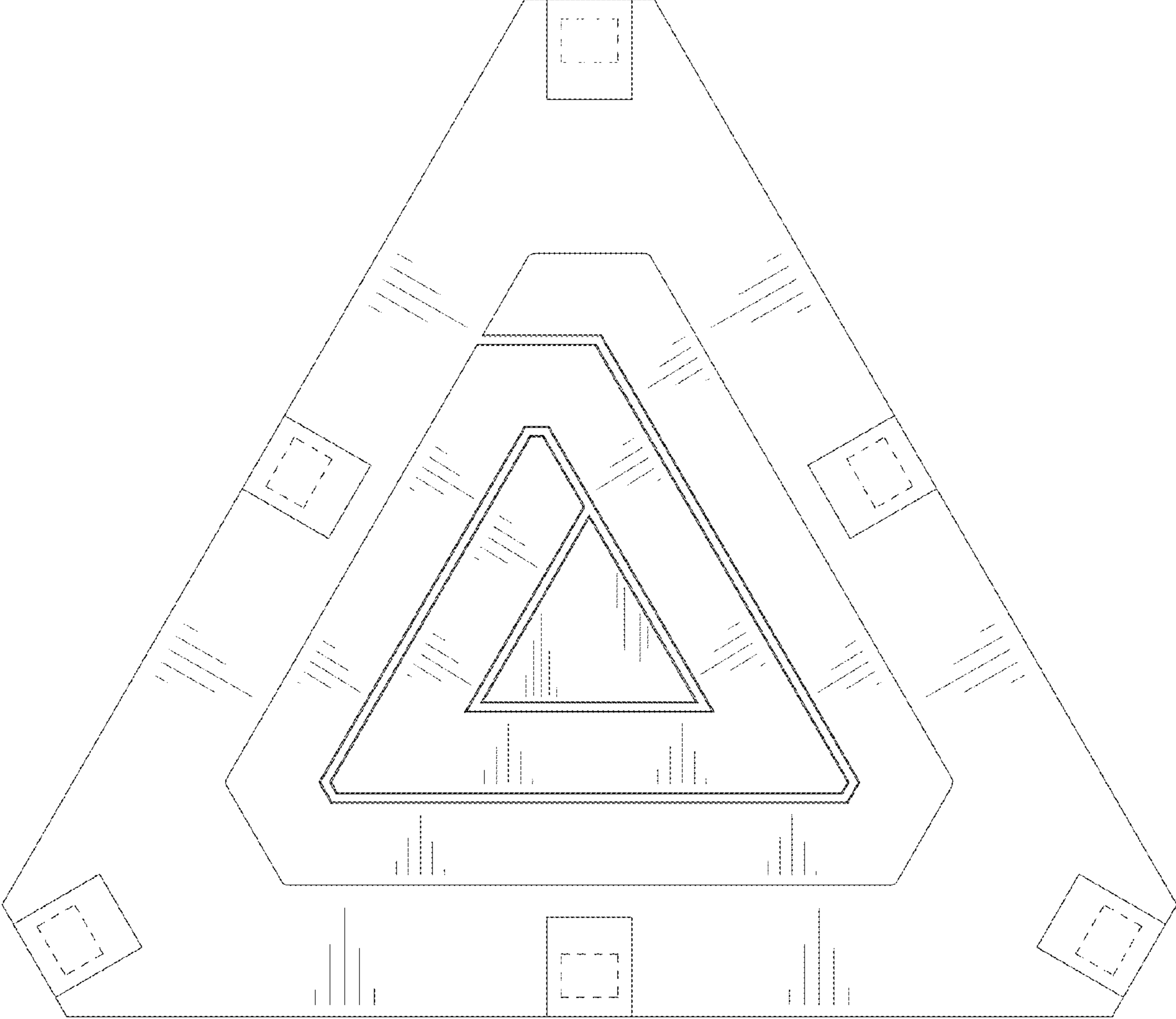


FIG. 3

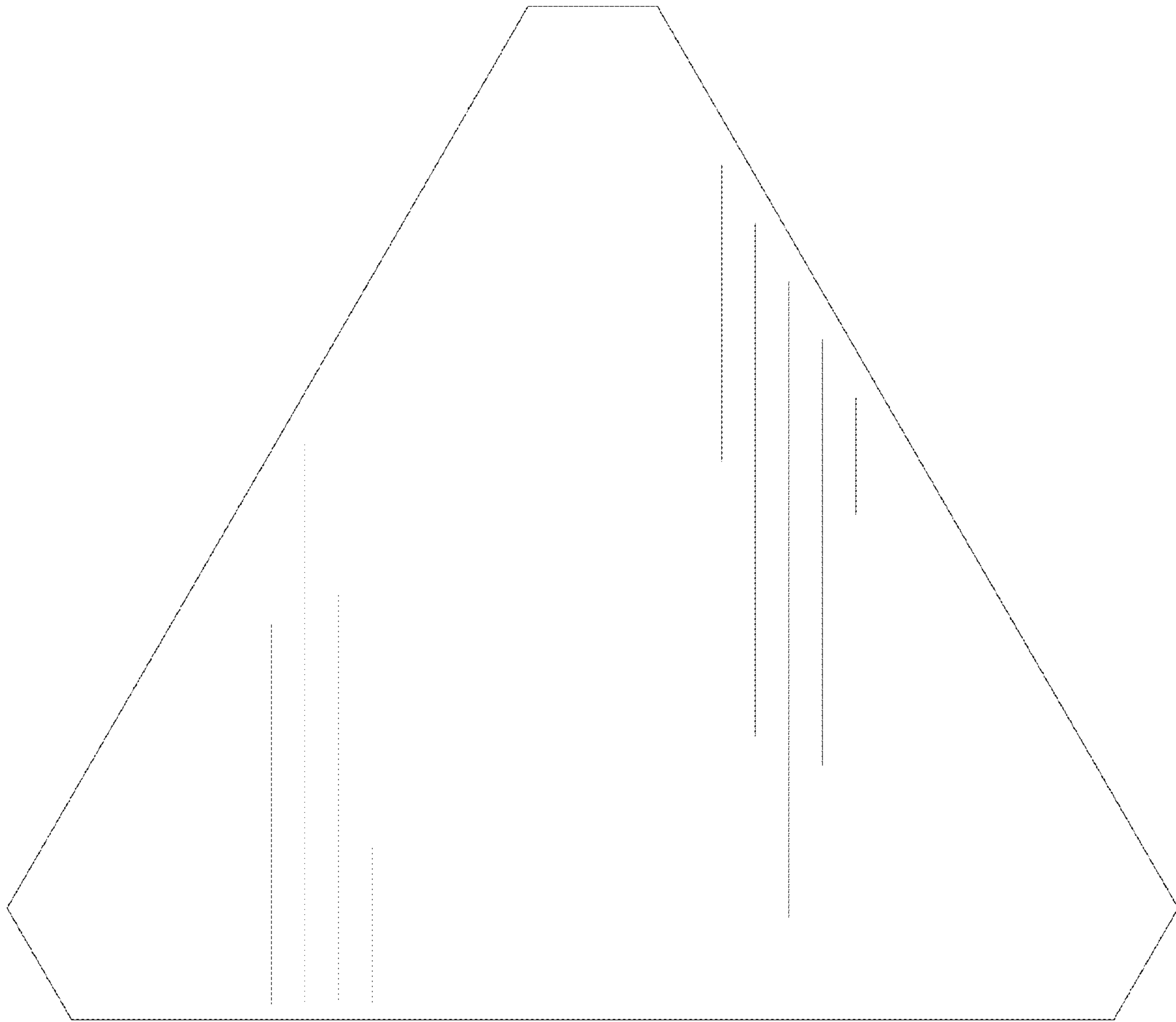


FIG. 4

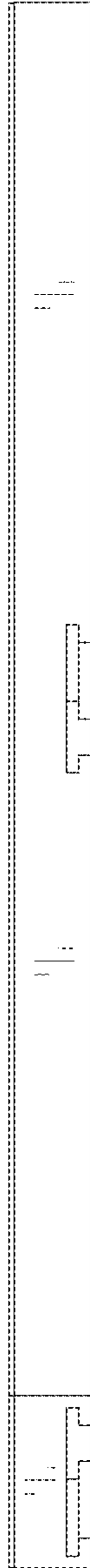


FIG. 5

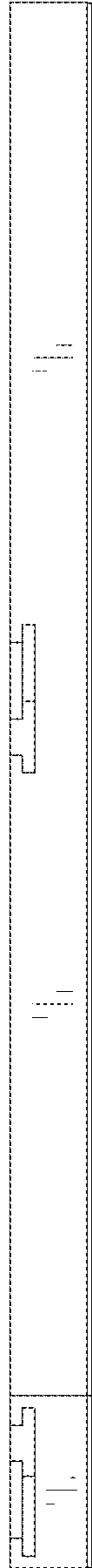


FIG. 6

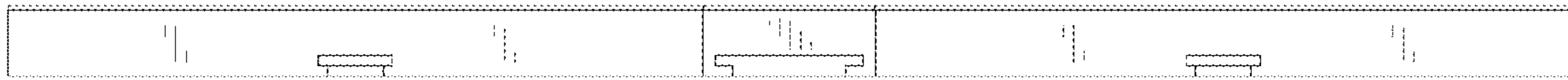


FIG. 7

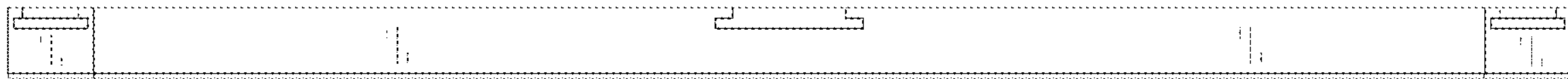


FIG. 8

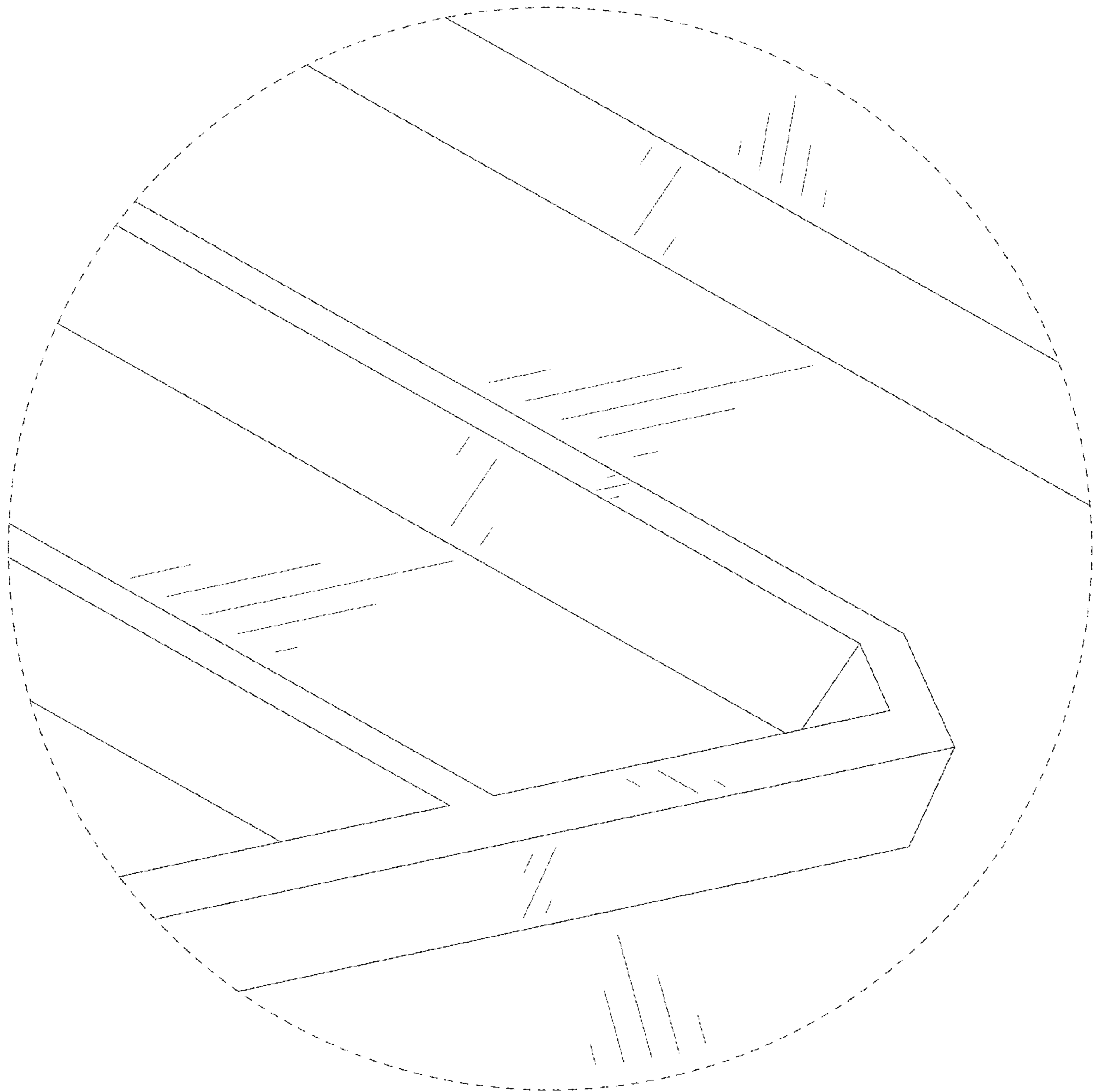


FIG. 9