



US00D965208S

(12) **United States Design Patent** (10) **Patent No.:** **US D965,208 S**  
**Guo** (45) **Date of Patent:** **\*\* Sep. 27, 2022**

- (54) **LAMP**
- (71) Applicant: **Shenzhen Create Future International Trading Company, Shenzhen (CN)**
- (72) Inventor: **Hui Guo, Shenzhen (CN)**
- (\*\*) Term: **15 Years**
- (21) Appl. No.: **29/796,569**
- (22) Filed: **Jun. 25, 2021**
- (51) **LOC (13) Cl.** ..... **26-05**
- (52) **U.S. Cl.**  
 USPC ..... **D26/107**
- (58) **Field of Classification Search**  
 USPC .... D26/24, 61, 62, 63, 65, 87, 93, 102, 106, D26/107, 108, 110  
 CPC .... F21S 8/08; F21S 8/032; F21S 8/033; F21S 8/035; F21S 8/036; F21S 6/00; F21S 6/002; F21S 6/003; F21W 2131/30  
 See application file for complete search history.

(56) **References Cited**

**U.S. PATENT DOCUMENTS**

- D178,415 S \* 7/1956 Mugnai ..... D26/63  
 D351,919 S \* 10/1994 Rorke ..... D26/107  
 D409,779 S \* 5/1999 Schaak ..... D26/62  
 5,964,519 A \* 10/1999 Chun-Ying ..... F21V 33/0056  
 362/86

- D467,680 S \* 12/2002 Krieger ..... D26/107  
 D521,674 S \* 5/2006 Fan ..... D26/65  
 D570,514 S \* 6/2008 Iai ..... D26/65  
 D742,573 S \* 11/2015 Kern ..... D26/65  
 D766,494 S \* 9/2016 Hoshikawa ..... D26/107  
 D892,391 S \* 8/2020 Tong ..... D26/108  
 D897,025 S \* 9/2020 Gong  
 D903,930 S \* 12/2020 Chen ..... D26/107  
 D914,955 S \* 3/2021 Deng ..... D26/107  
 D914,956 S \* 3/2021 Chen ..... D26/107  
 2018/0106471 A1 \* 4/2018 Gao ..... F21S 6/003

\* cited by examiner

*Primary Examiner* — Wan Laymon  
*Assistant Examiner* — Clint A Samuel

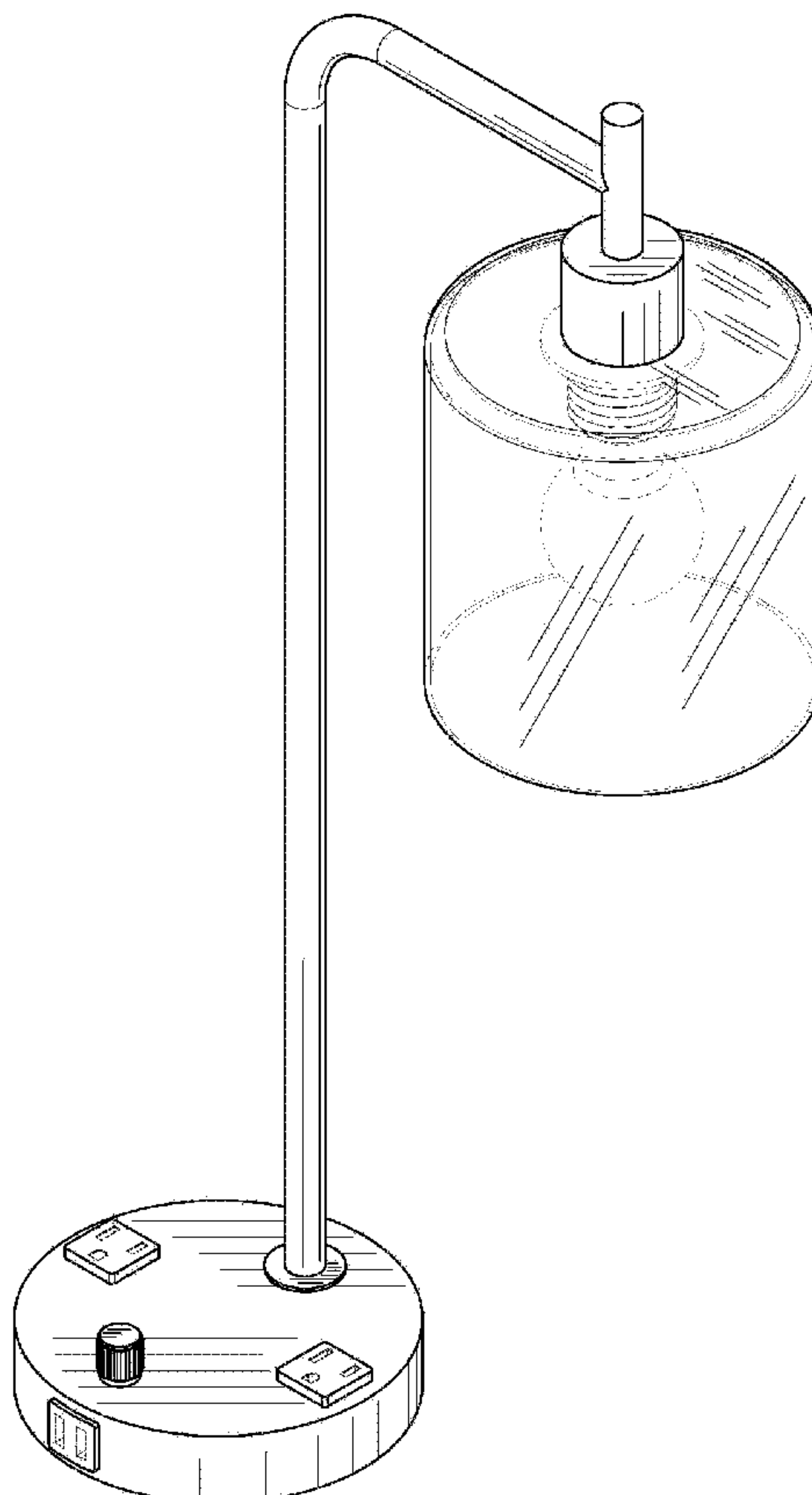
(57) **CLAIM**

The ornamental design for a lamp, as shown and described.

**DESCRIPTION**

FIG. 1 is a front and top perspective view of a lamp, showing my new design;  
 FIG. 2 is a front elevation view thereof;  
 FIG. 3 is a rear elevation view thereof;  
 FIG. 4 is a left side elevation view thereof;  
 FIG. 5 is a right side elevation view thereof;  
 FIG. 6 is a top plan view thereof; and,  
 FIG. 7 is a bottom plan view thereof.  
 The broken lines in the figures illustrate portions of the lamp that form no part of the claimed design.

**1 Claim, 6 Drawing Sheets**



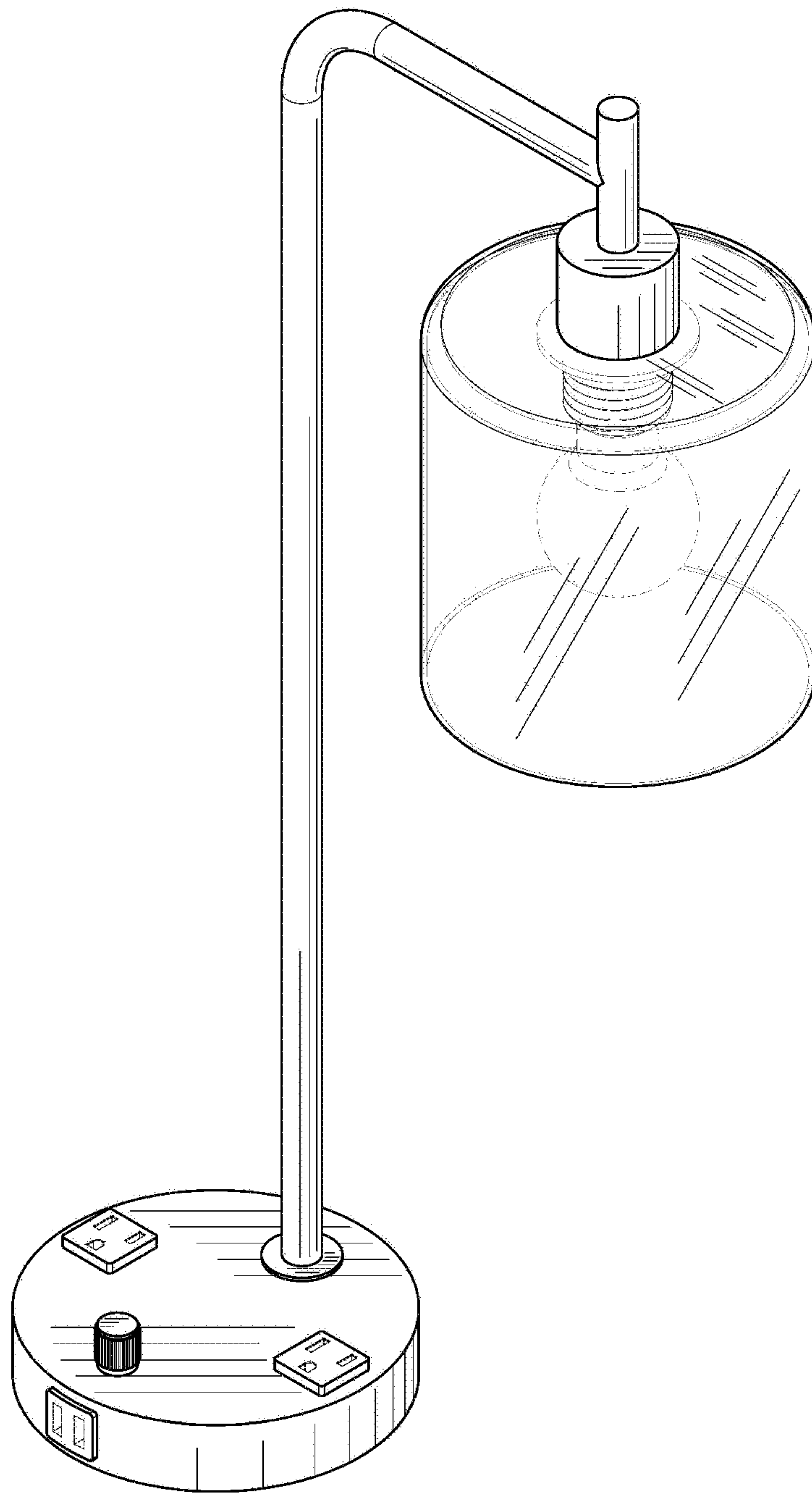


FIG. 1

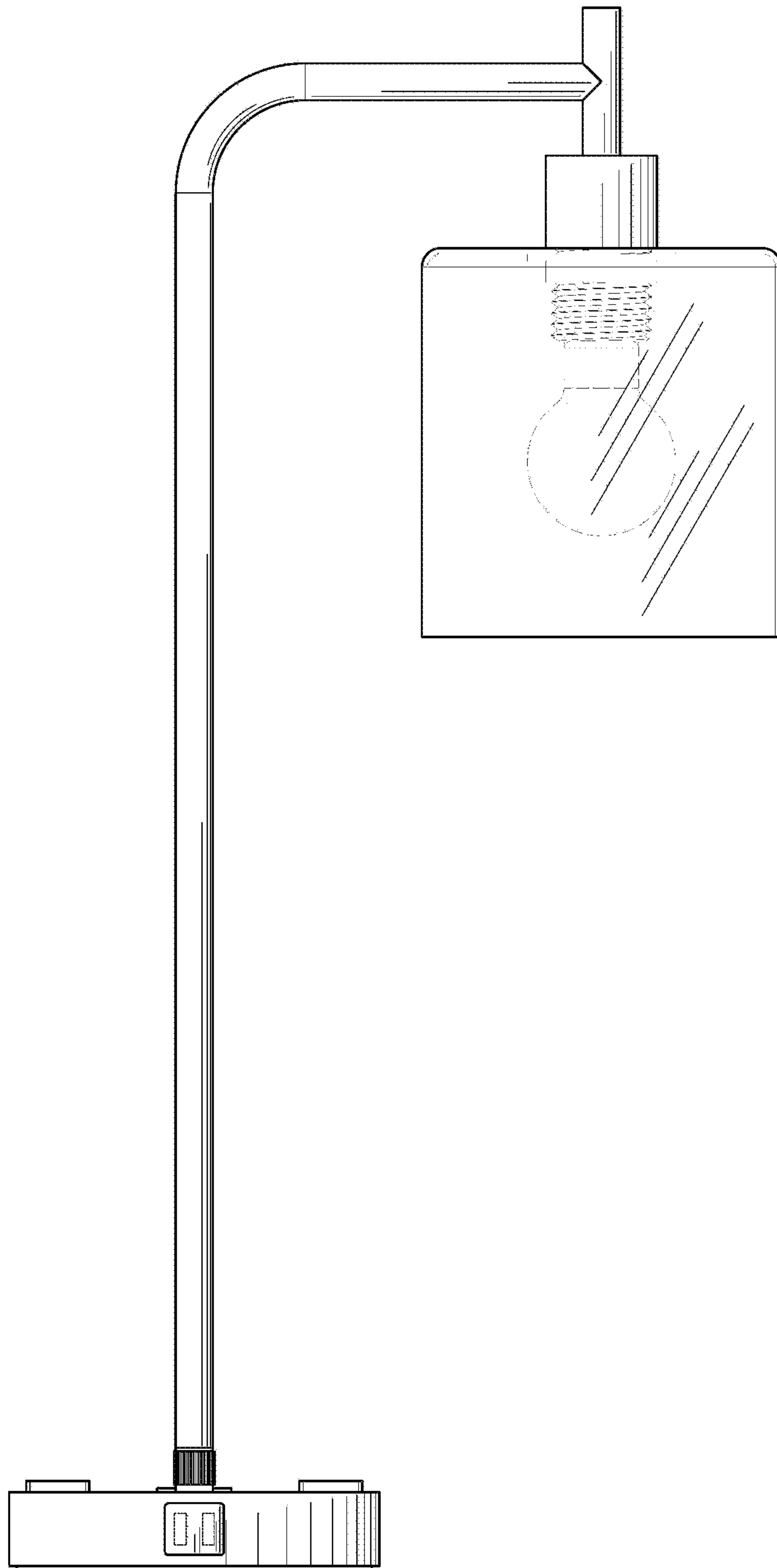


FIG. 2

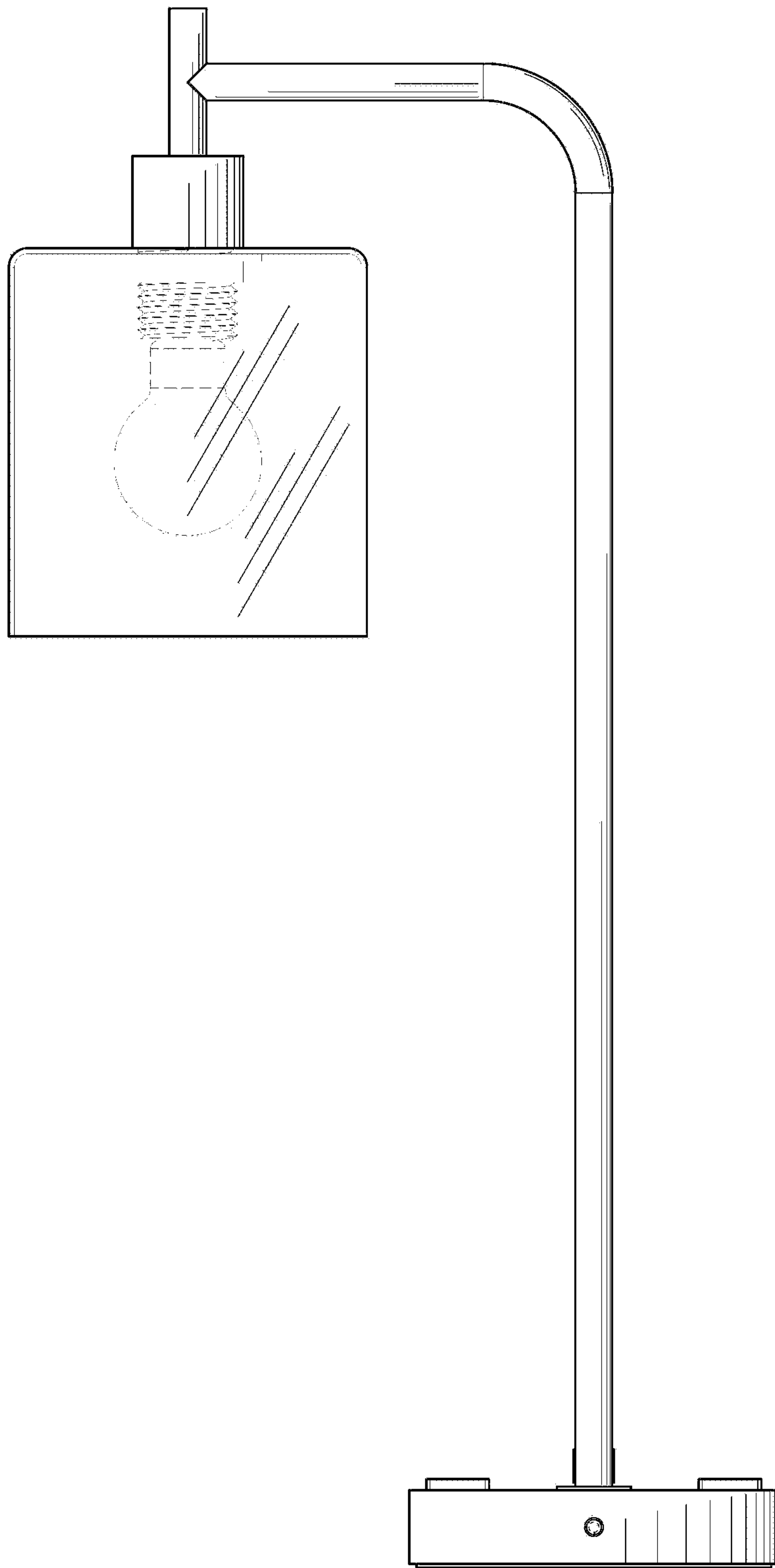


FIG. 3

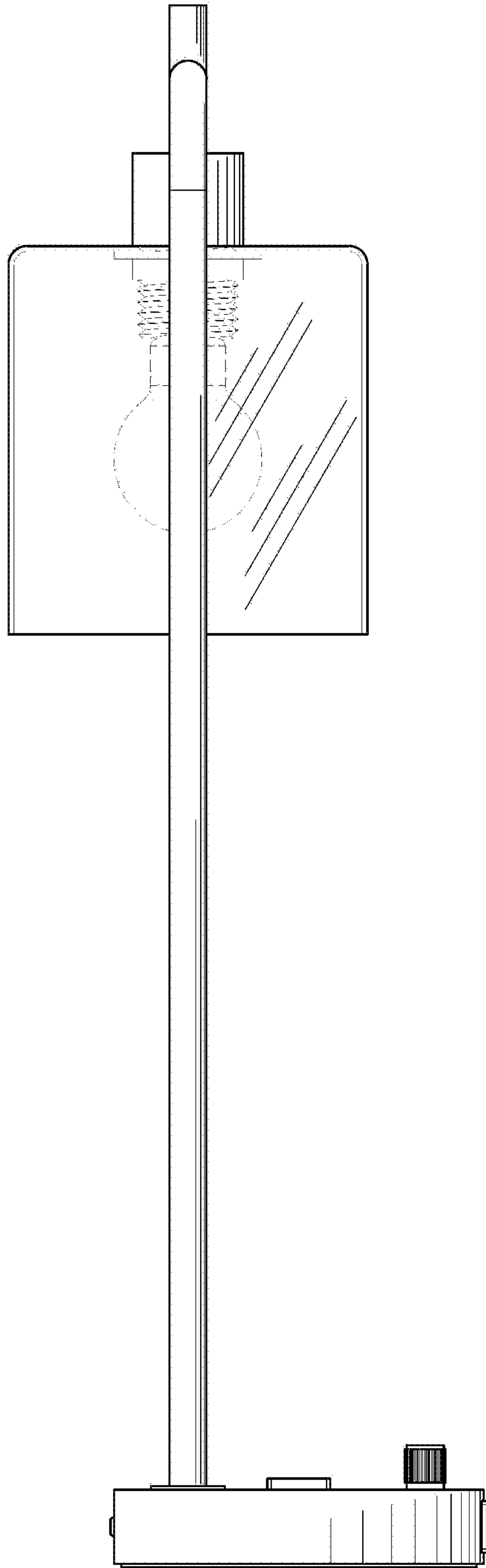


FIG. 4

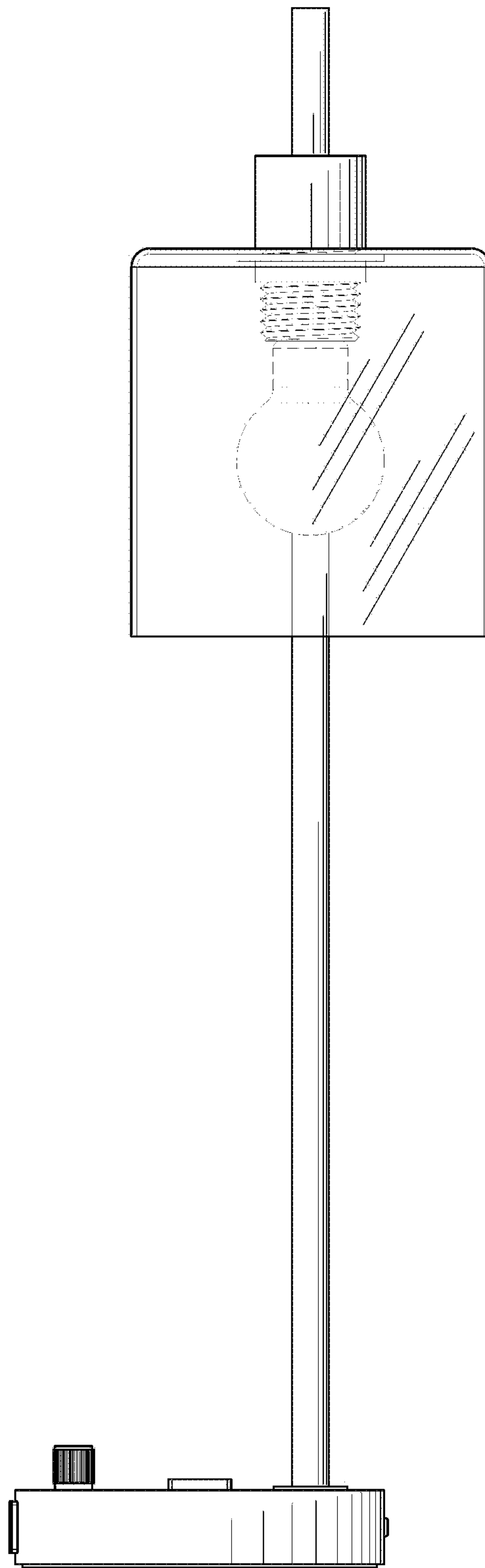


FIG. 5

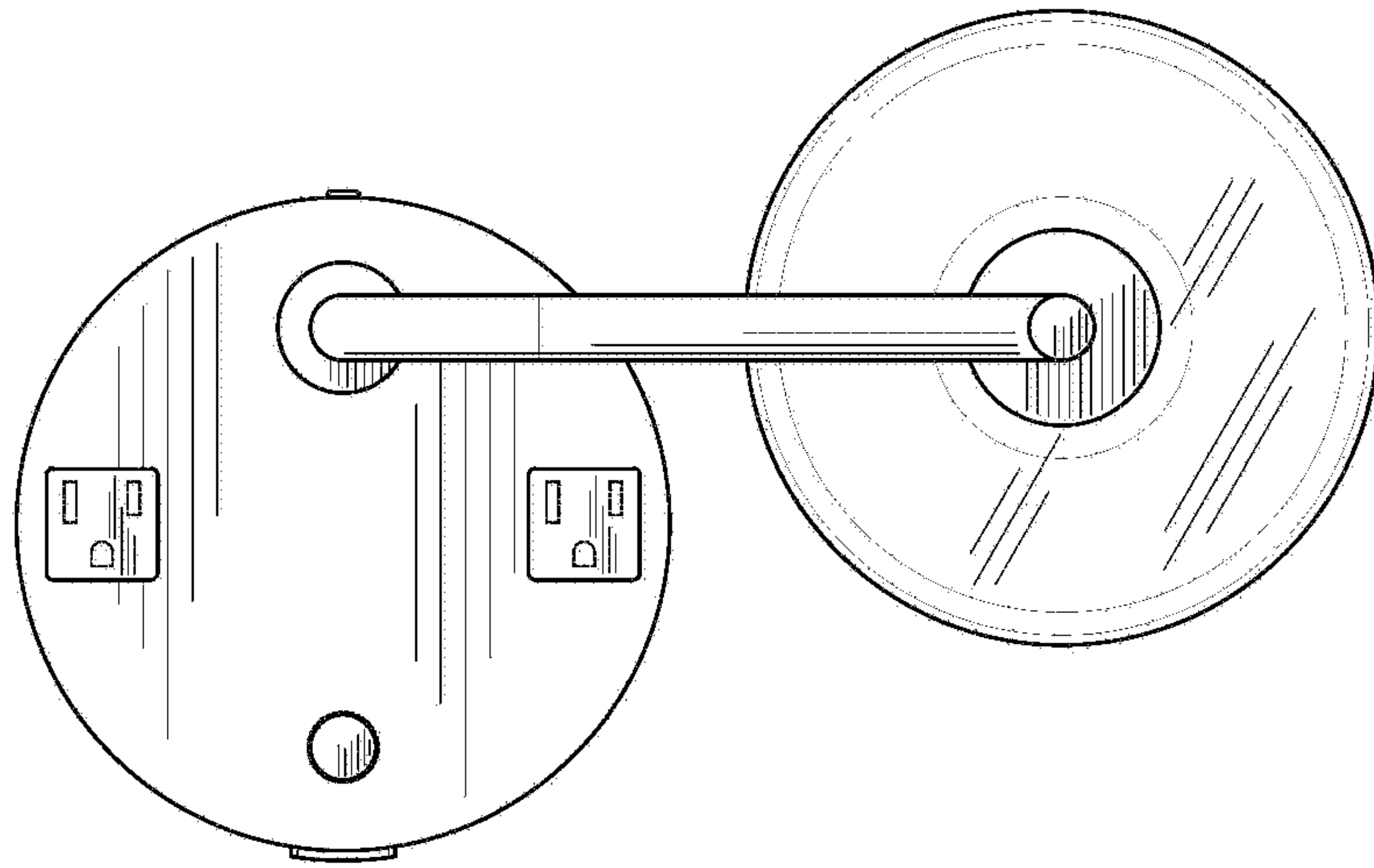


FIG. 6

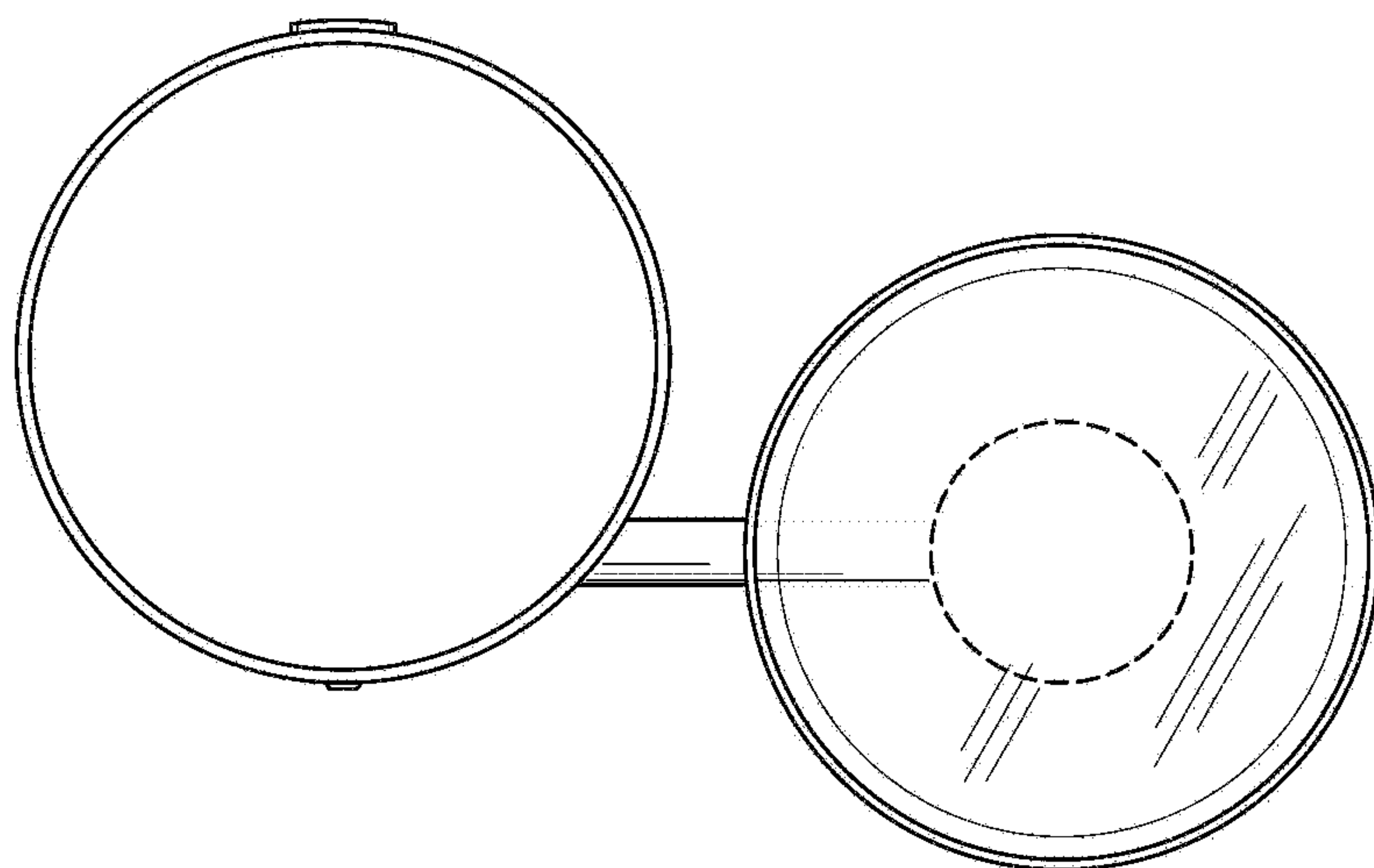


FIG. 7