



US00D965206S

(12) **United States Design Patent** (10) **Patent No.:** **US D965,206 S**  
**Ni** (45) **Date of Patent:** **\*\* Sep. 27, 2022**

(54) **DESK LAMP**

OTHER PUBLICATIONS

(71) Applicant: **Shenzhen Lan Liao Technology Co., Ltd.**, Guangdong (CN)

CAL Metal Lamp with Two Outlets, Jun. 15, 2015, Amazon.com, site visited Aug. 3, 2022, url: <https://www.amazon.com/dp/B00ZSABQMI/> (Year: 2015).\*

(72) Inventor: **Weiyang Ni**, Hunan (CN)

Lite Source Table Lamp, Mar. 27, 2018, Amazon.com, site visited Aug. 3, 2022, url: <https://www.amazon.com/dp/B07BR4GSFV/> (Year: 2018).\*

(\*\*) Term: **15 Years**

LMAMZ Bedroom Bedside Table Lamp, Dec. 15, 2020, Amazon.co.uk, site visited Aug. 3, 2022, url: <https://www.amazon.co.uk/dp/B08QN6FHY5/> (Year: 2020).\*

(21) Appl. No.: **29/824,362**

LYNNOLAND Bedside Touch Control Table Lamp, May 5, 2022, Amazon.com, site visited Aug. 3, 2022, url: <https://www.amazon.com/dp/B09ZLV7GV2/?th=1> (Year: 2022).\*

(22) Filed: **Jan. 24, 2022**

(51) **LOC (13) Cl.** ..... **26-05**

(52) **U.S. Cl.**  
USPC ..... **D26/106; D26/93**

(58) **Field of Classification Search**  
USPC ..... D26/24, 93, 104, 106, 107, 108, 110, D26/112, 113, 118, 138  
CPC .... F21S 6/00; F21S 6/002; F21S 6/003; F21S 6/004; F21S 6/005; F21S 6/006; F21S 6/007; F21S 6/008; F21V 1/00; F21V 1/02; F21V 1/14; F21V 3/00  
See application file for complete search history.

\* cited by examiner

*Primary Examiner* — T Chase Nelson  
*Assistant Examiner* — Rachel Wolfe

(74) *Attorney, Agent, or Firm* — Che-Yang Chen; Law Office of Michael Chen

(57) **CLAIM**

The ornamental design for a desk lamp, as shown and described.

**DESCRIPTION**

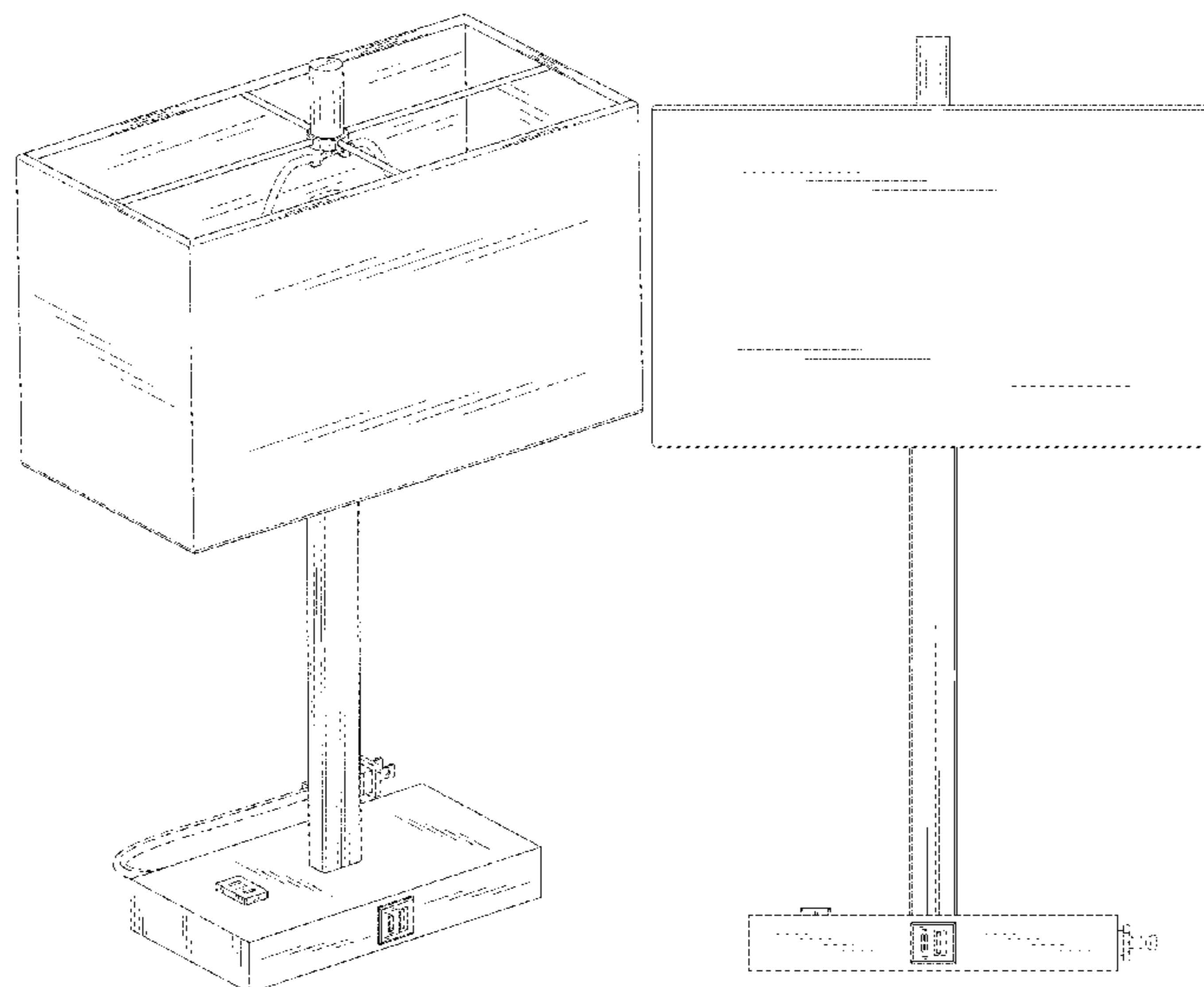
(56) **References Cited**

U.S. PATENT DOCUMENTS

D577,859	S	*	9/2008	Chandler	.....	G09F 13/00
						D26/142
D589,641	S	*	3/2009	Sabernig	.....	D26/107
D609,392	S	*	2/2010	Salatto-Rose	.....	D26/106
D609,849	S	*	2/2010	Chiu	.....	D26/106
D614,798	S	*	4/2010	Sabernig	.....	D26/110
D648,475	S	*	11/2011	Heyrman	.....	D26/107
D745,206	S	*	12/2015	Clark	.....	D26/104
D749,771	S	*	2/2016	Kern	.....	D26/106
D749,772	S	*	2/2016	Kern	.....	D26/106
D768,909	S		10/2016	Maier		
D774,240	S	*	12/2016	Velez	.....	D26/106
D896,431	S	*	9/2020	Ding	.....	D26/106
D925,098	S		7/2021	Luo		
D953,612	S	*	5/2022	Hisle De Beauchaine	..	D26/112
2018/0245768	A1	*	8/2018	Loates	.....	G09F 13/00

FIG. 1 is a perspective view of the desk lamp showing my new design;  
FIG. 2 is a perspective view thereof from another angle;  
FIG. 3 is a front elevational view thereof;  
FIG. 4 is a rear elevational view thereof;  
FIG. 5 is a left side elevational view thereof;  
FIG. 6 is a right side elevational view thereof;  
FIG. 7 is a top plan view thereof;  
FIG. 8 is a bottom plan view thereof; and,  
FIG. 9 is a perspective view thereof when the cover is detached from the desk lamp.  
The broken lines shown in the drawings are included for the purpose of illustrating portions of the desk lamp that form no part of the claimed design.

**1 Claim, 9 Drawing Sheets**



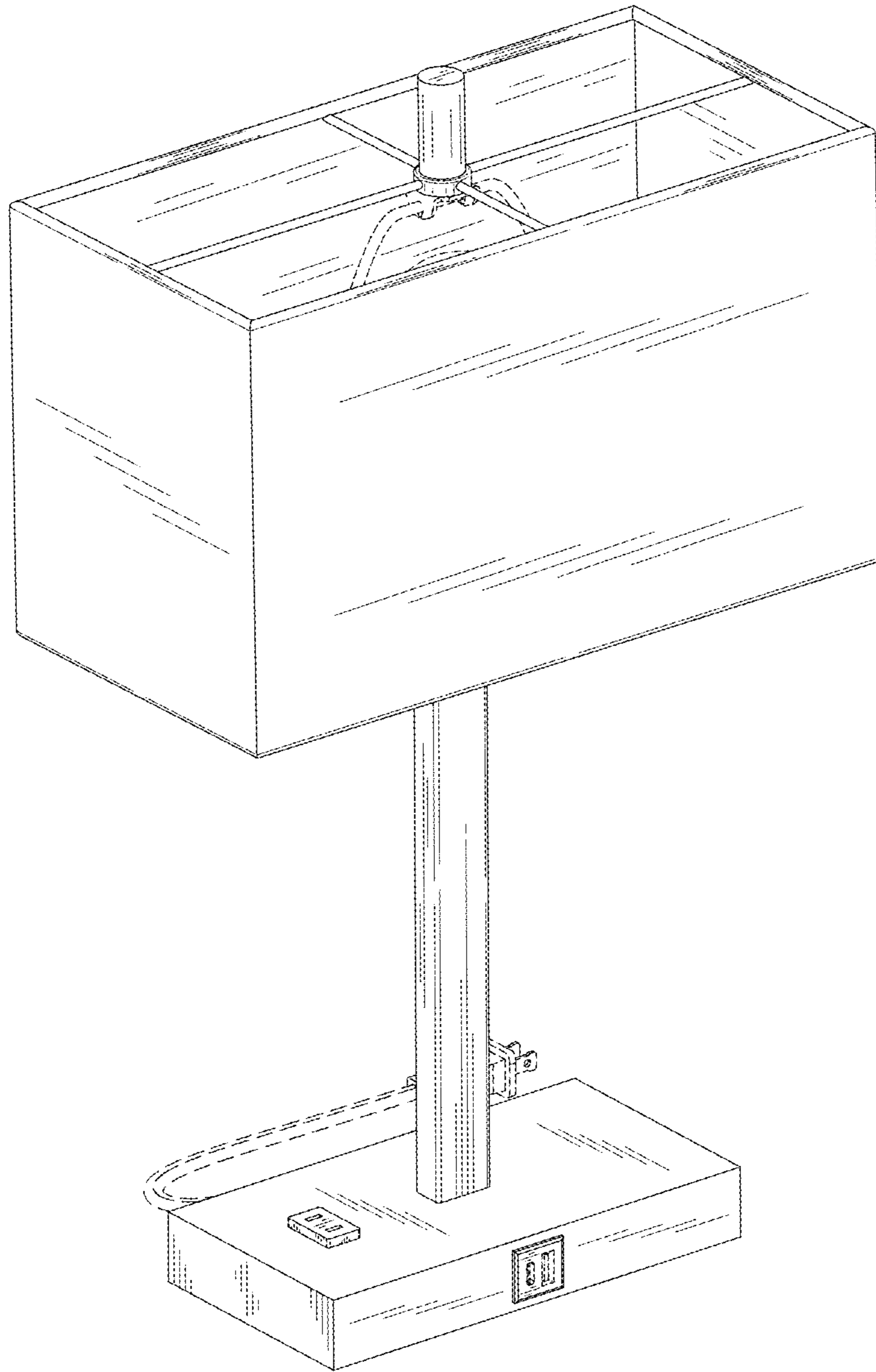


FIG. 1

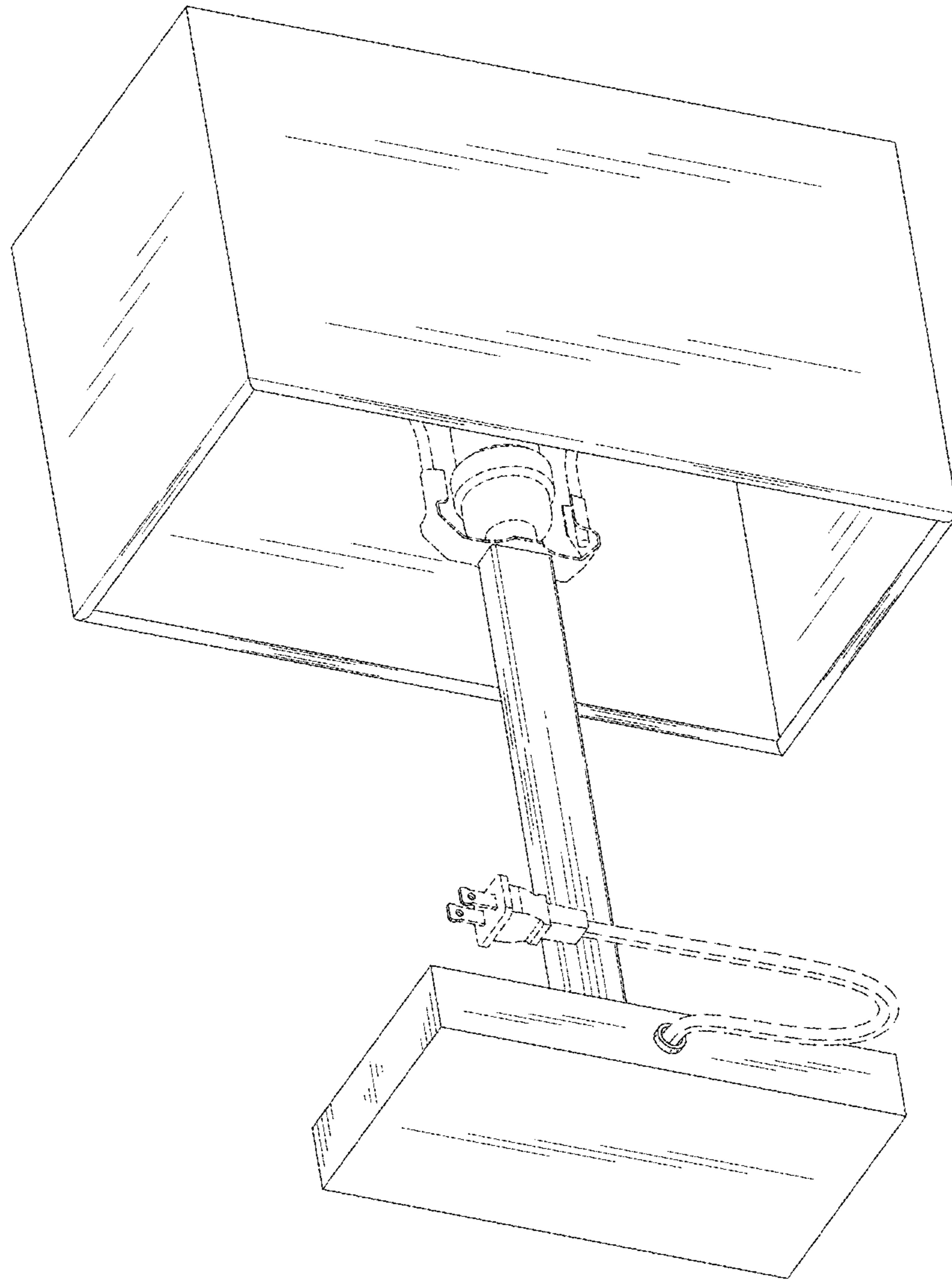


FIG. 2

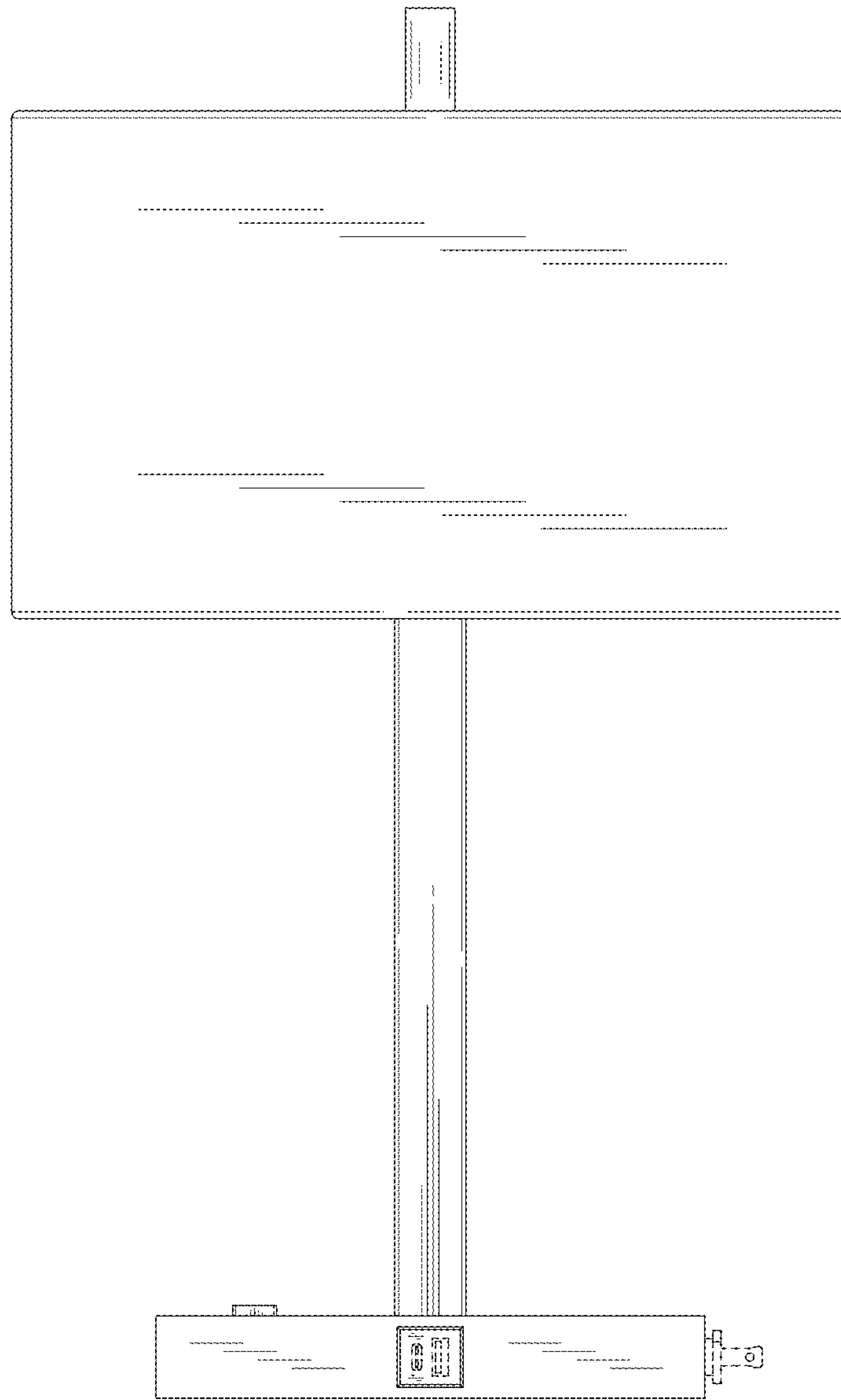


FIG. 3

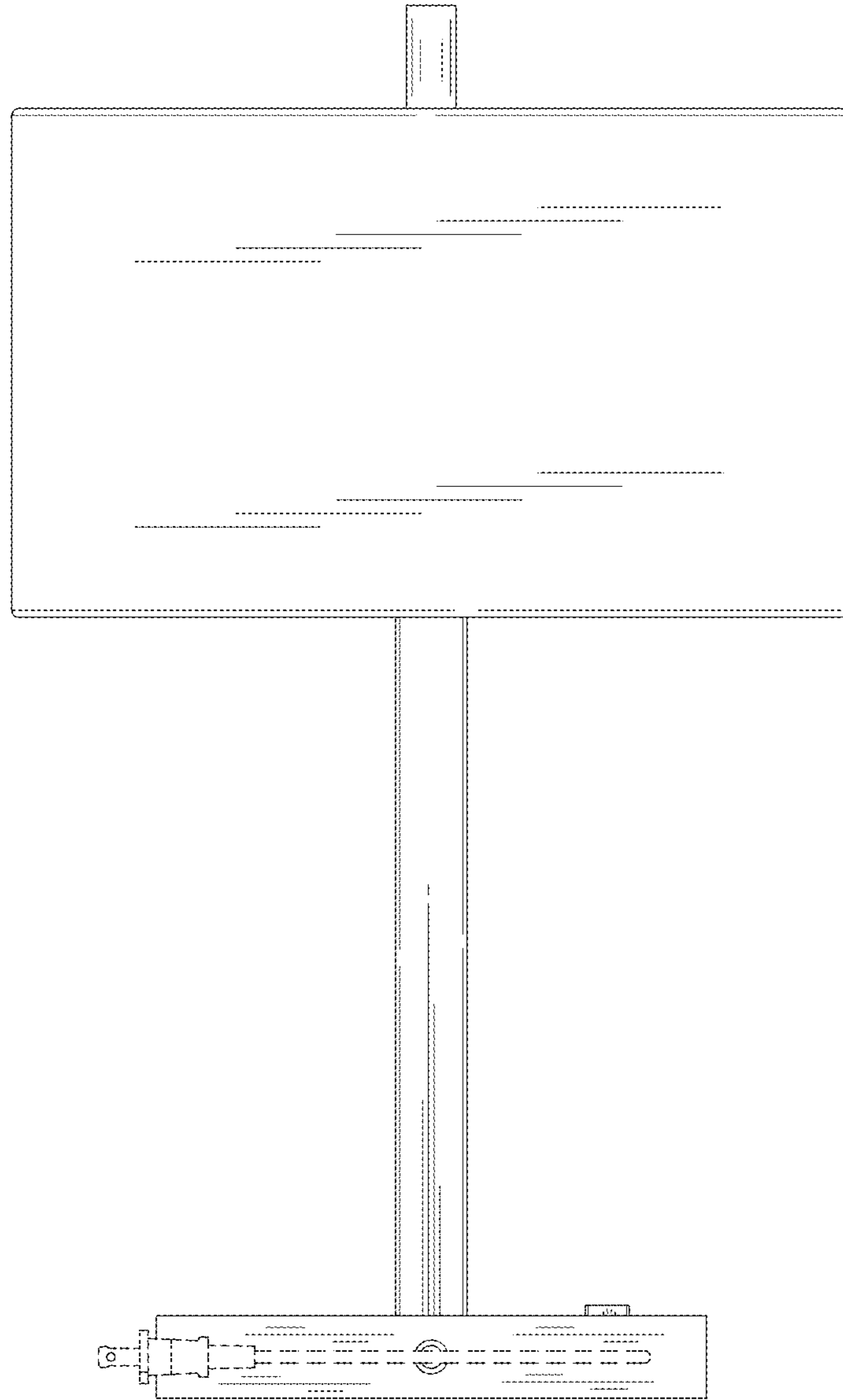


FIG. 4

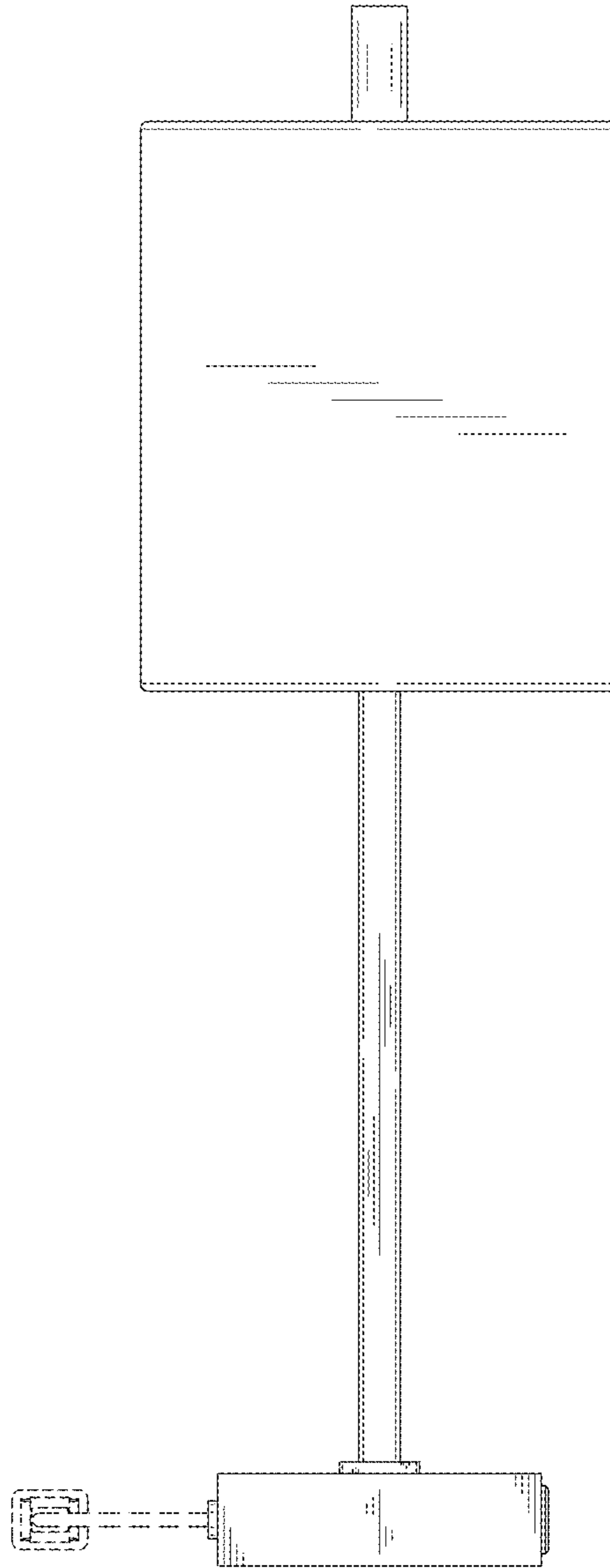


FIG. 5

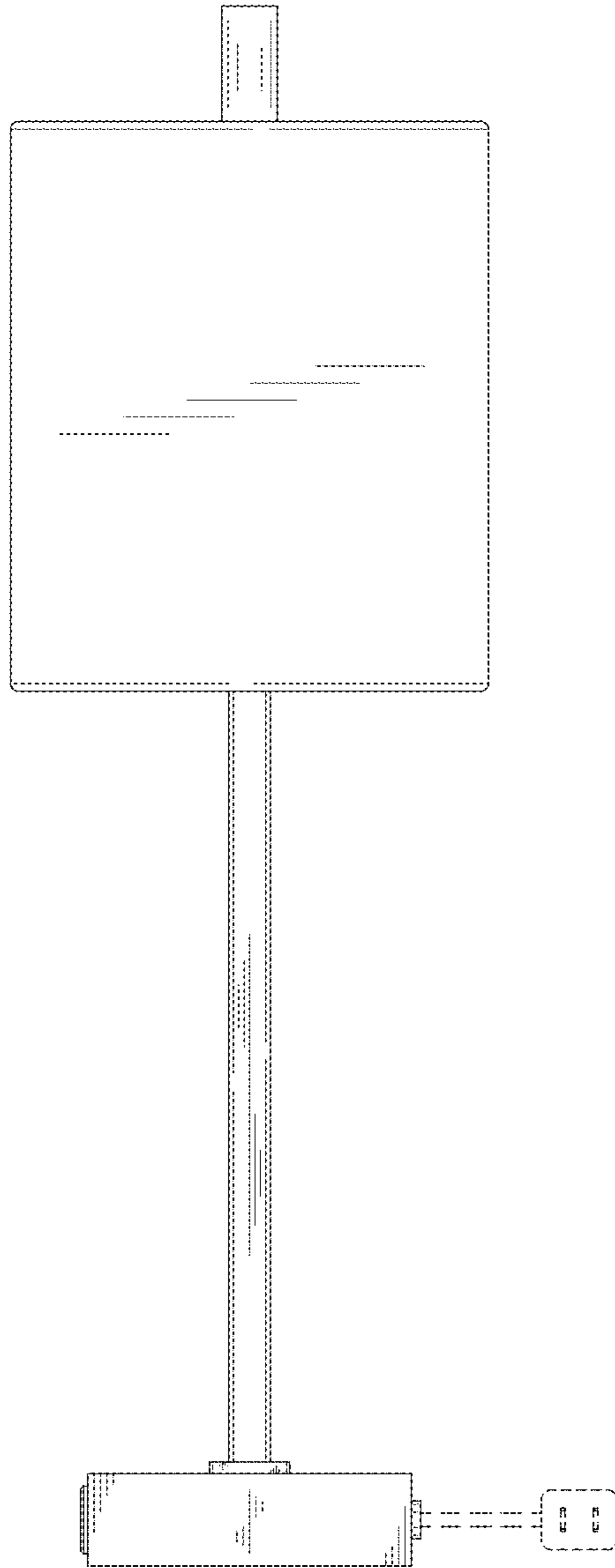


FIG. 6

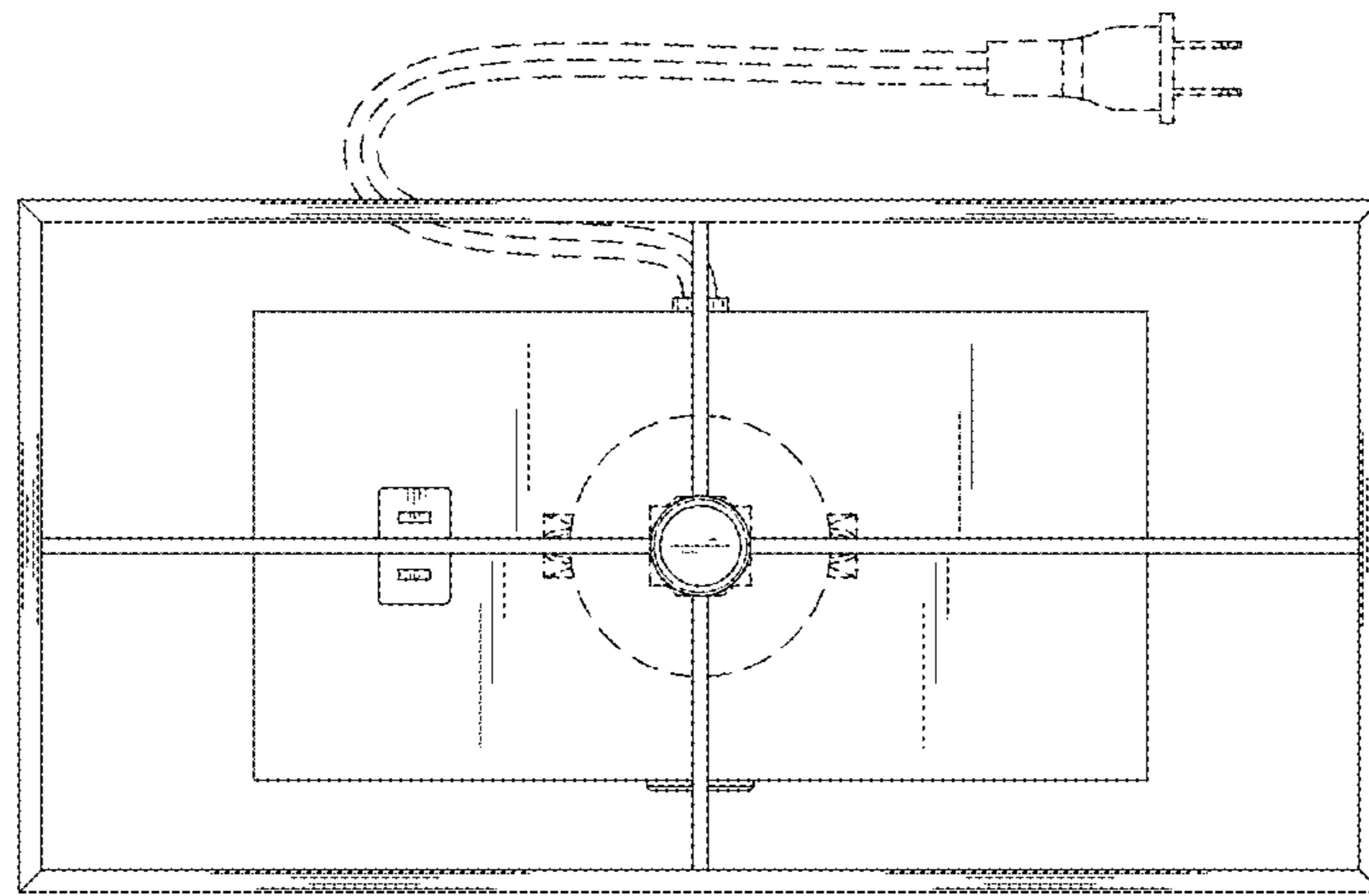


FIG. 7



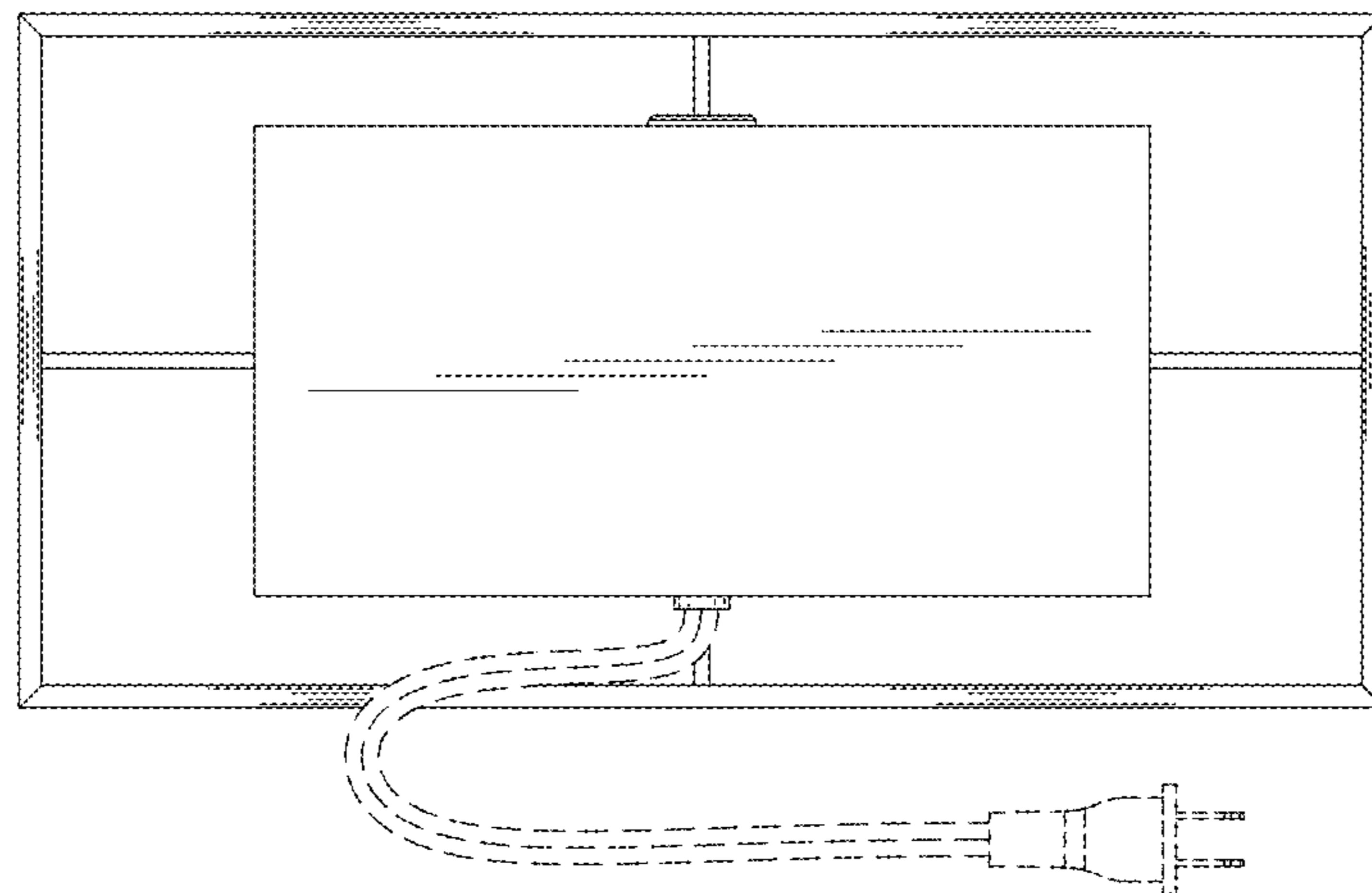


FIG. 8

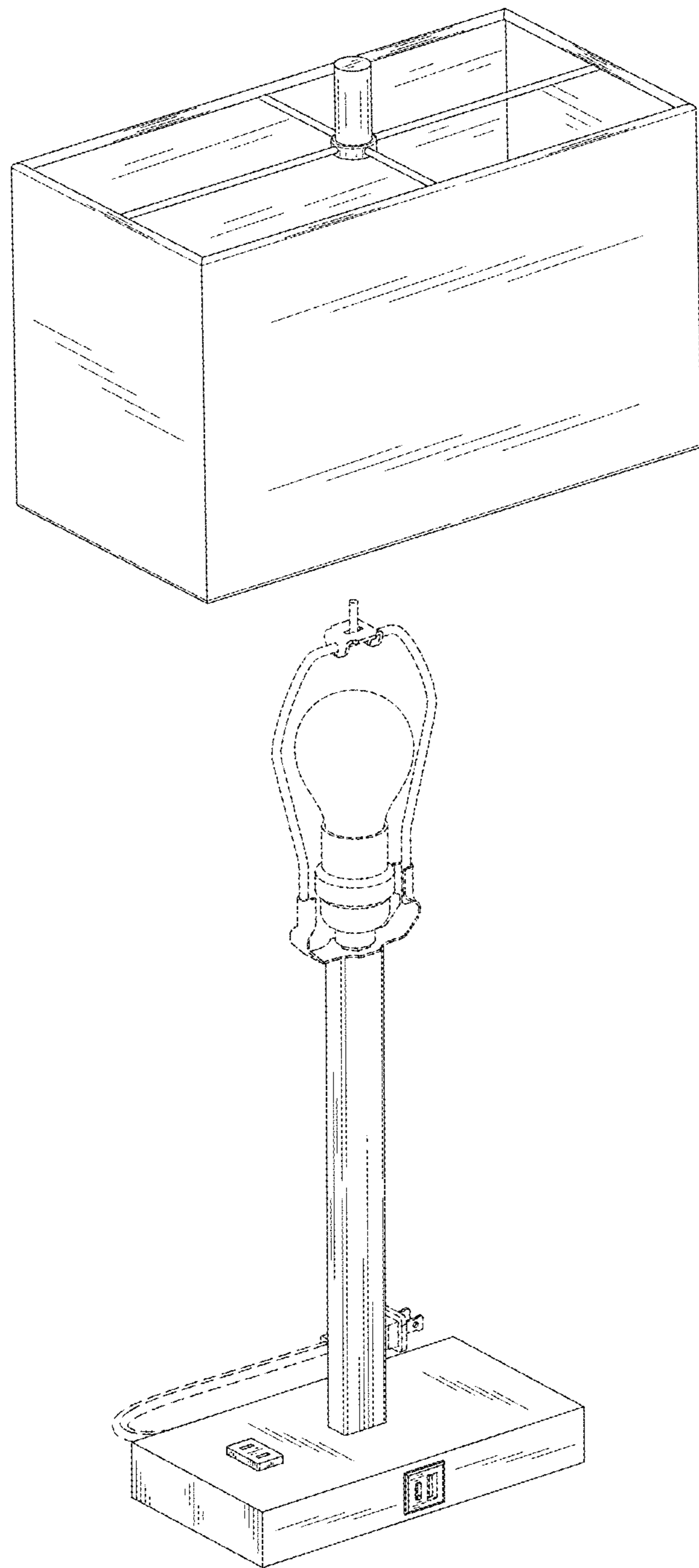


FIG. 9