



US00D965205S

(12) **United States Design Patent** (10) **Patent No.:** **US D965,205 S**
Yue (45) **Date of Patent:** **** Sep. 27, 2022**

(54) **TRAPEZOID LAMP**
(71) Applicant: **Xiaohui Yue**, Linkou County (CN)
(72) Inventor: **Xiaohui Yue**, Linkou County (CN)
(73) Assignee: **Xiaohui Ye**, Linkou County (CN)
(**) Term: **15 Years**
(21) Appl. No.: **29/796,226**
(22) Filed: **Jun. 23, 2021**
(51) **LOC (13) Cl.** **26-05**
(52) **U.S. Cl.**
USPC **D26/106**
(58) **Field of Classification Search**
USPC D26/24, 93, 104, 106, 105
CPC F21S 6/00; F21S 6/002; F21S 6/004; F21S
6/008; F21S 8/08; F21V 21/00; F21V
21/02; F21V 1/00; F21V 1/02; F21V 1/04
See application file for complete search history.

D367,726 S * 3/1996 Albrecht D26/106
D428,665 S * 7/2000 Hsu D26/110
D453,233 S 1/2002 Hsu
D457,261 S 5/2002 Hsu
D589,641 S * 3/2009 Sabernig D26/107
D609,392 S * 2/2010 Salatto-Rose D26/106
D610,302 S * 2/2010 Chiu D26/106
D642,728 S * 8/2011 Lewis D26/93
D745,206 S * 12/2015 Clark D26/104
D747,026 S * 1/2016 Lowery D26/93
D749,771 S * 2/2016 Kern D26/106

(Continued)

OTHER PUBLICATIONS

Amazon.com, Set of 2 Table Lamps, 2-Lights Nightstand Lamps with 3-Model Lighting, Oct. 28, 2021, <https://www.amazon.com/2-Lights-Nightstand-Lighting-Charging-Included/dp/B0971ZJW8V/> (Year: 2021).*

Primary Examiner — Nathan M Johnston
(74) *Attorney, Agent, or Firm* — Nitin Kaushik

(57) **CLAIM**

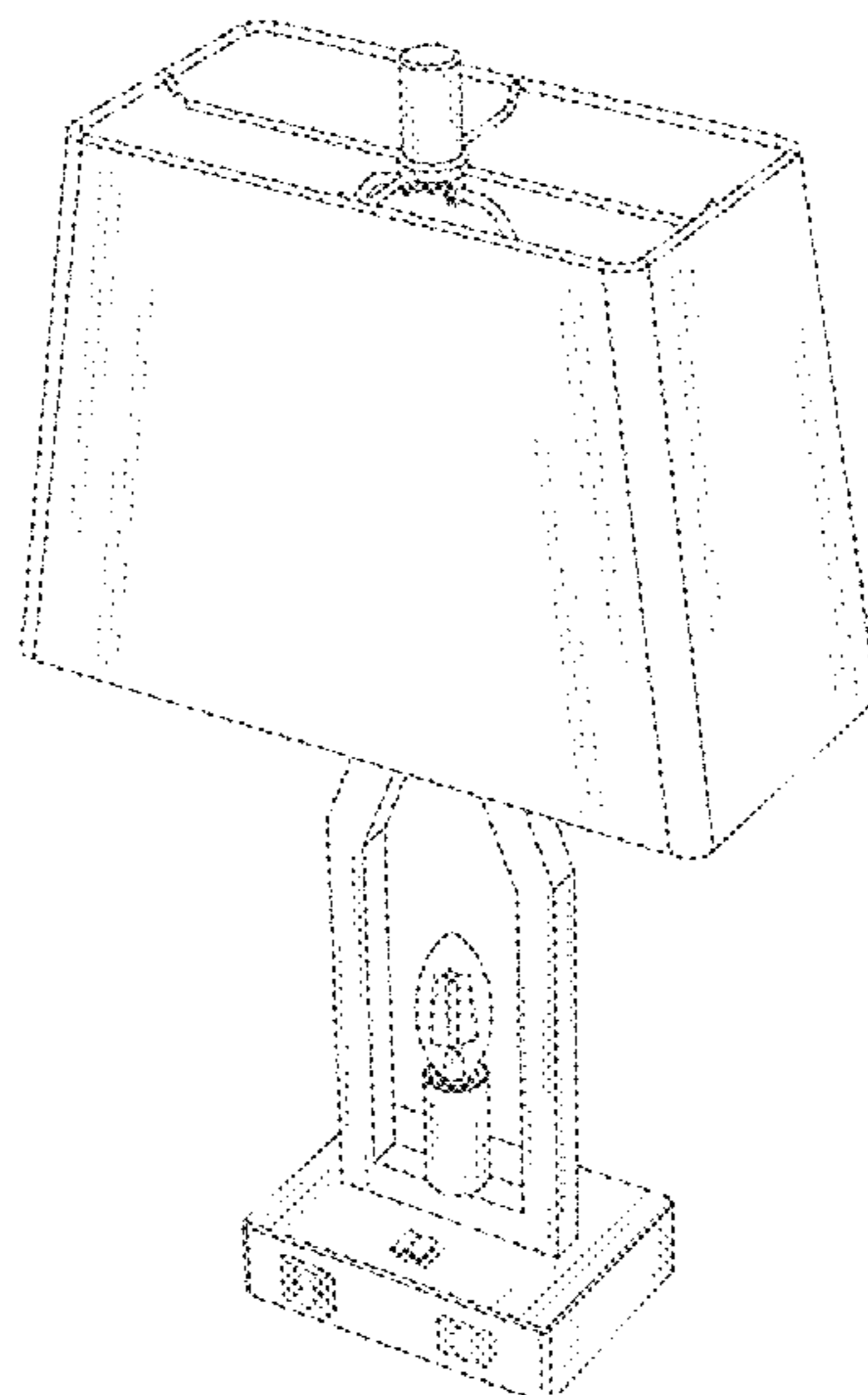
The ornamental design for a trapezoid lamp, as shown and described.

DESCRIPTION

FIG. 1 is a front, right, and top perspective view of a trapezoid lamp showing my new design;
FIG. 2 is a back, left, and top perspective view thereof;
FIG. 3 is a front elevational view thereof;
FIG. 4 is a back elevational view thereof;
FIG. 5 is a right elevational view thereof;
FIG. 6 is a left elevational view thereof;
FIG. 7 is a top plan view thereof; and,
FIG. 8 is a bottom plan view thereof.
The broken line showing in the drawings is included for the purpose of illustrating portions of the trapezoid lamp and forms no part of the claimed design.

1 Claim, 8 Drawing Sheets

(56) **References Cited**
U.S. PATENT DOCUMENTS
1,473,380 A * 11/1923 Peterson F21V 17/12
362/351
1,686,402 A * 10/1928 Baker H04R 1/028
D26/53
1,693,620 A * 12/1928 Silverman F21V 33/00
362/132
D95,571 S * 5/1935 Andrews D26/99
D154,352 S * 6/1949 Wetterhahn D27/125
D177,178 S * 3/1956 Heyburn D26/51
3,714,409 A * 1/1973 Trudeau F21S 6/002
362/249.14
4,665,472 A * 5/1987 Chang F21V 29/67
362/373
D331,636 S * 12/1992 Meek D26/106
D331,814 S 12/1992 Meck et al.
D338,981 S 8/1993 Meck et al.
D340,309 S * 10/1993 Porter D26/106
D348,117 S * 6/1994 Richardson D26/94



(56)

References Cited

U.S. PATENT DOCUMENTS

10,584,844	B1 *	3/2020	Parrillo	F21V 11/04
D896,431	S *	9/2020	Ding	D26/106
D925,098	S *	7/2021	Luo	D26/93
D952,223	S *	5/2022	Chen	D26/93
2003/0218883	A1 *	11/2003	Thevenot	B44C 5/005
				362/362
2007/0153534	A1 *	7/2007	Levy	F21V 27/00
				362/410

* cited by examiner

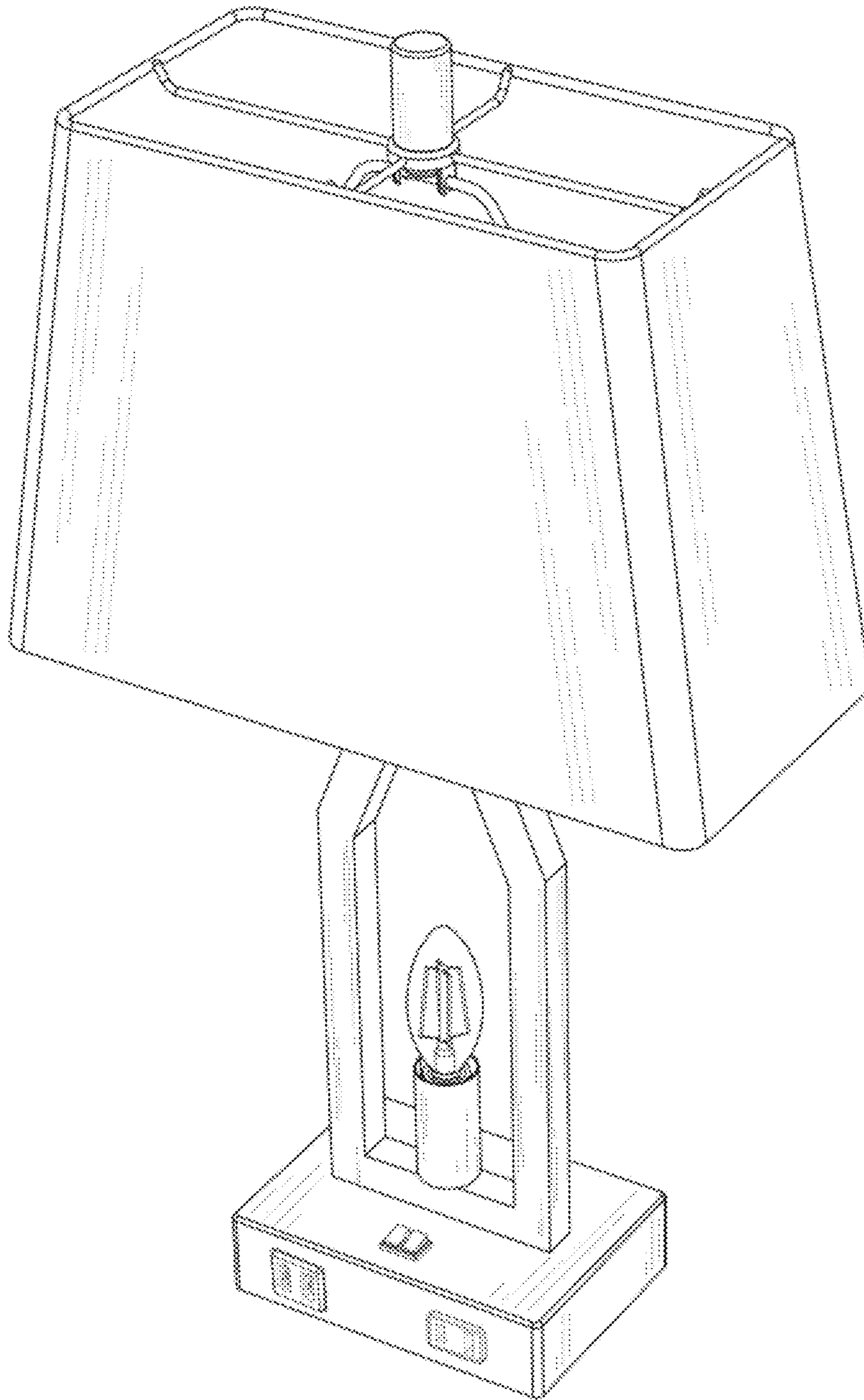


FIG 1

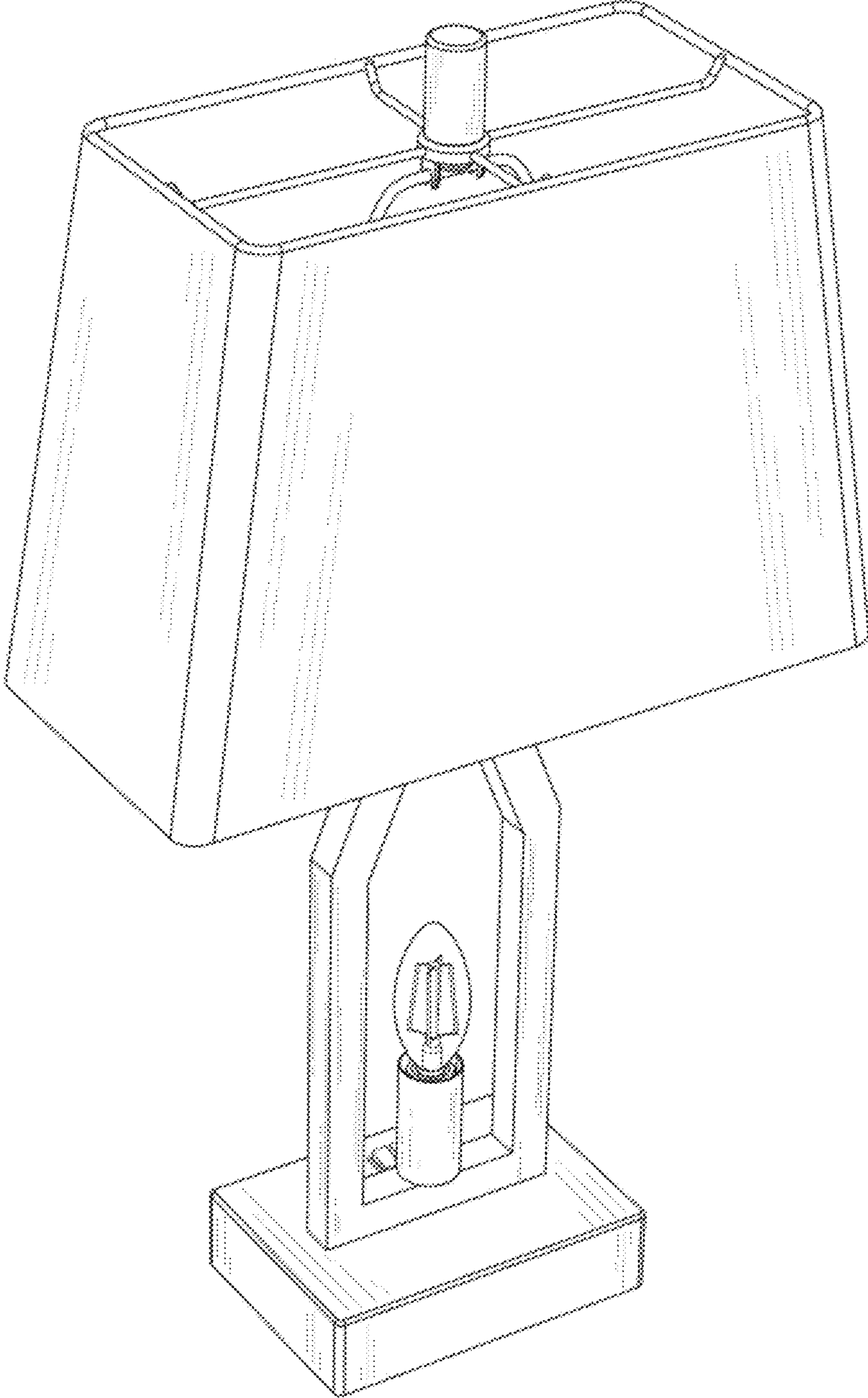


FIG 2

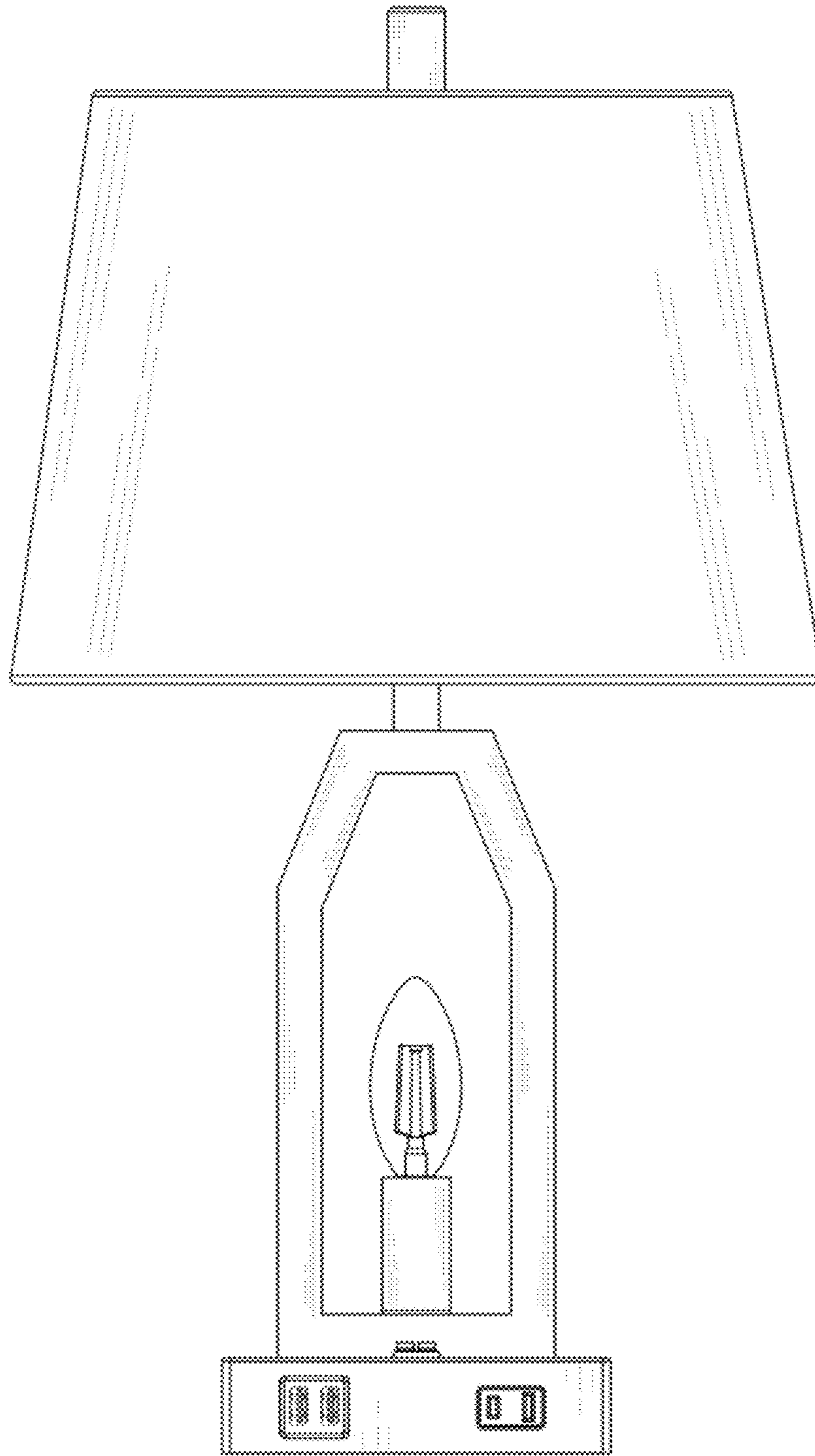


FIG 3

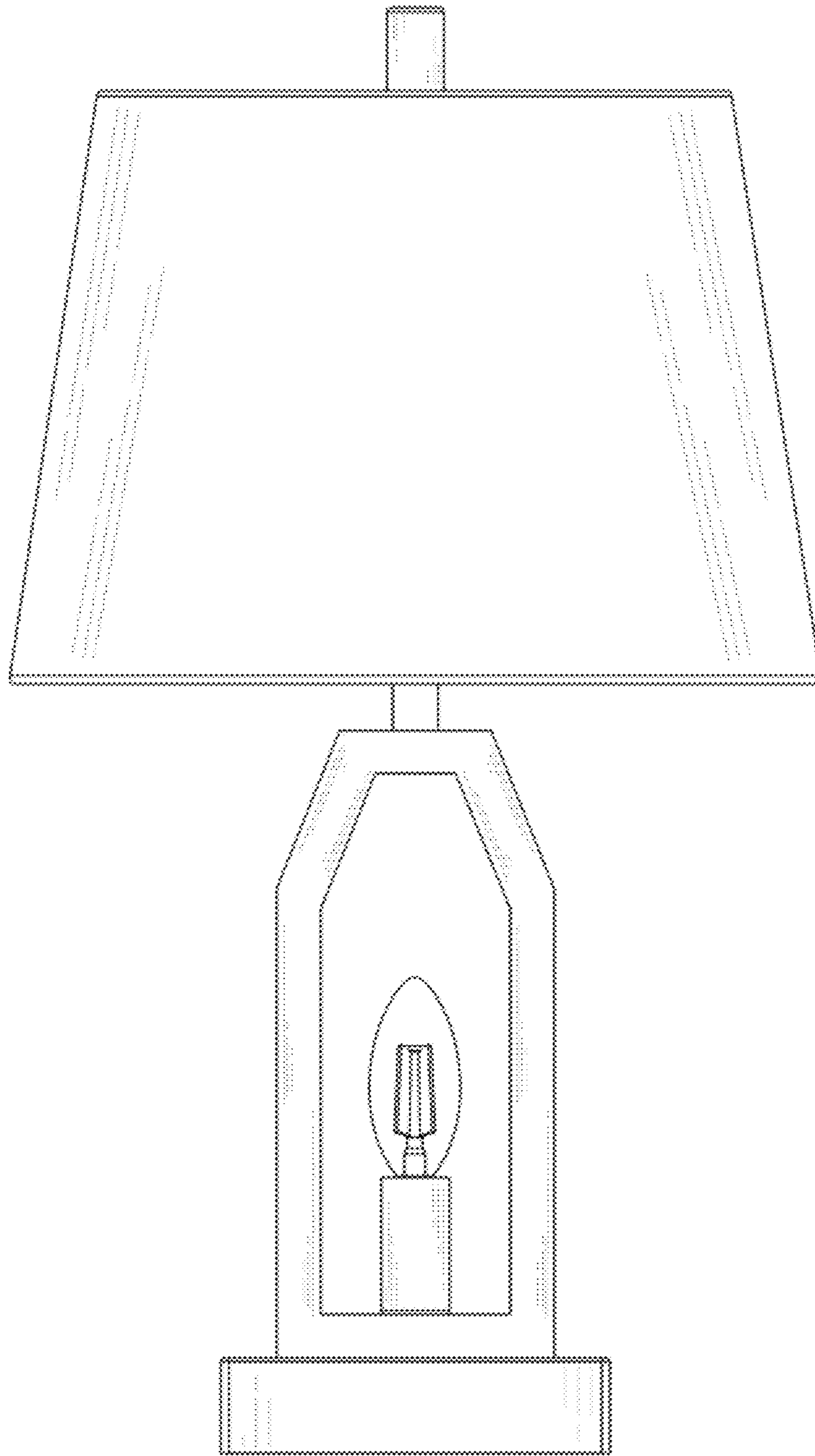


FIG 4

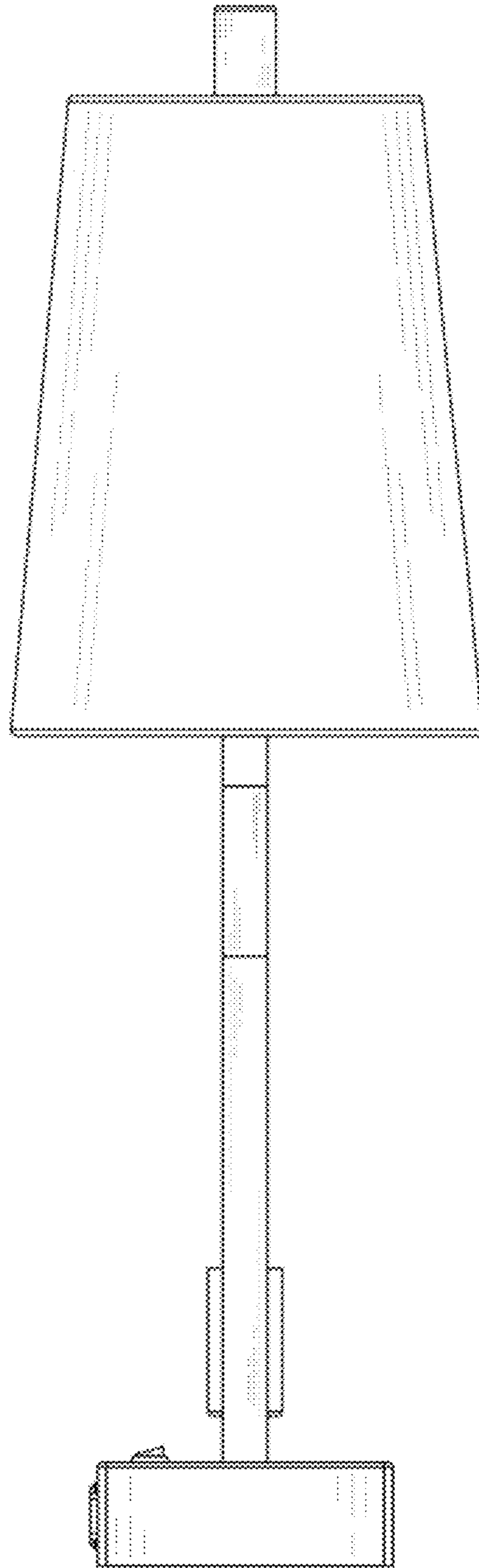


FIG 5

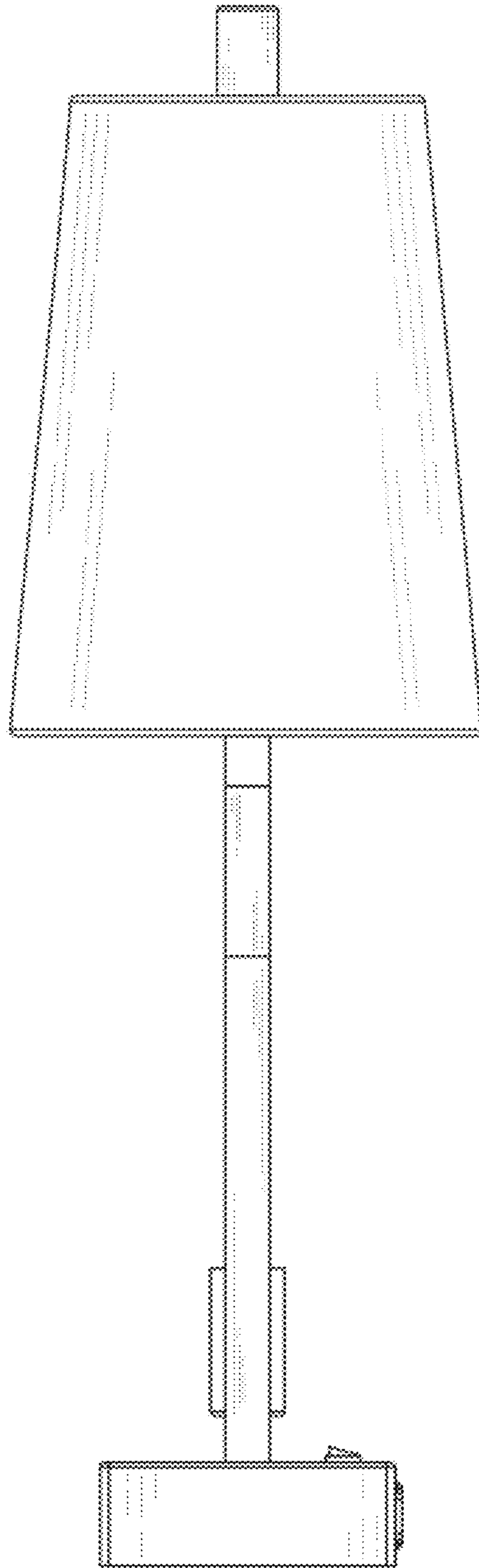


FIG 6

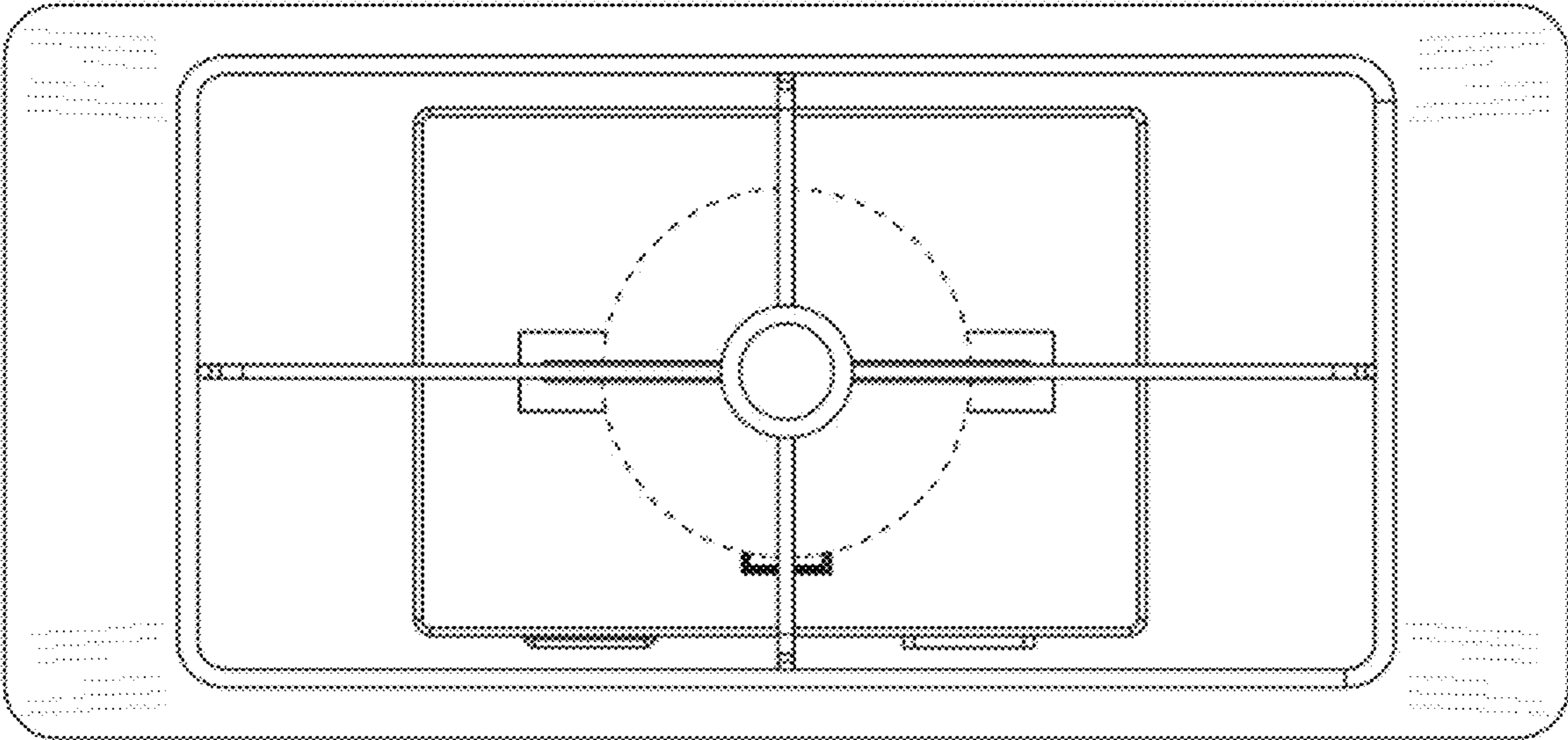


FIG 7

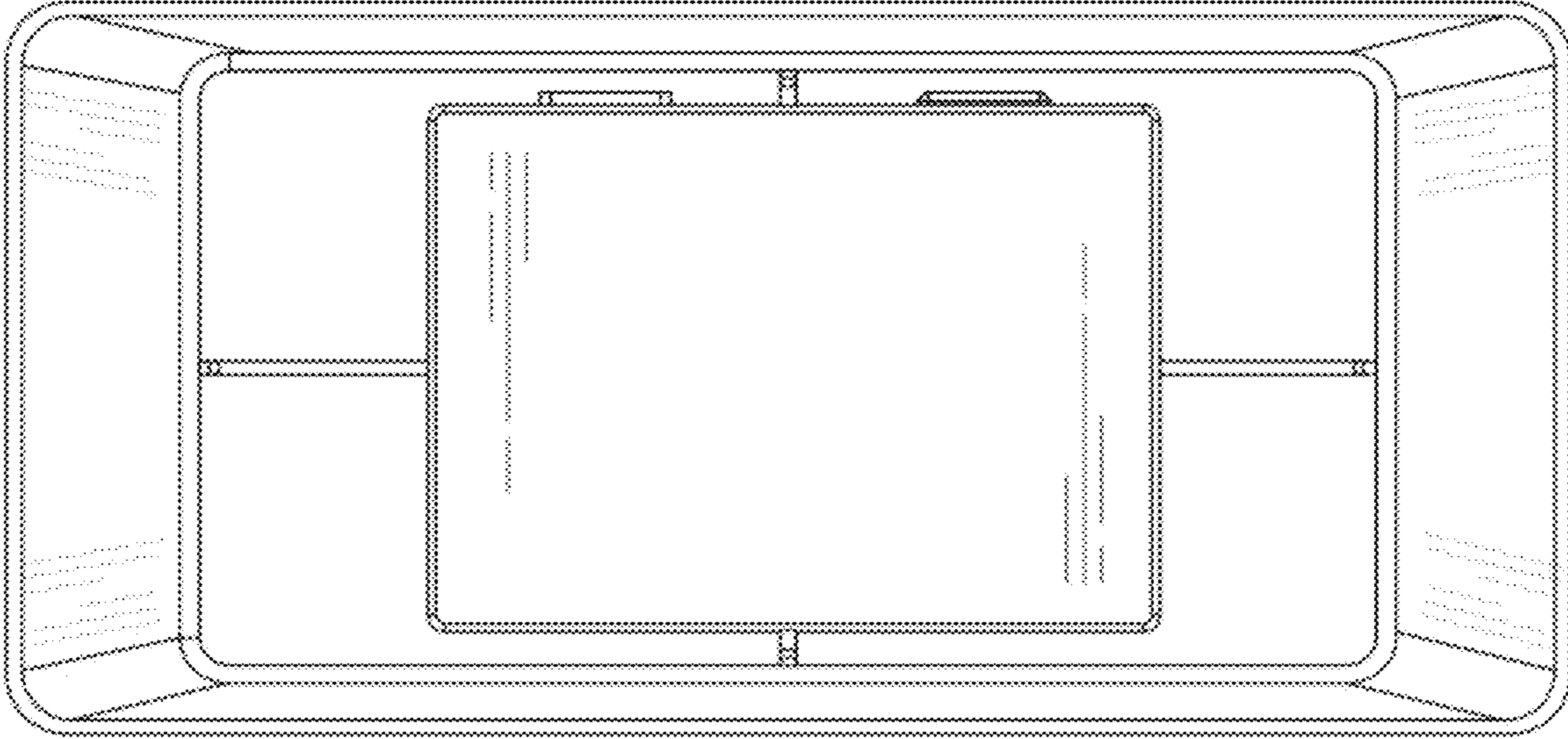


FIG8