



US00D965202S

(12) **United States Design Patent**
Gismondi

(10) **Patent No.:** **US D965,202 S**

(45) **Date of Patent:** **** Sep. 27, 2022**

- (54) **LAMP**
- (71) Applicant: **ARTEMIDE S.p.A.**, Milan (IT)
- (72) Inventor: **Ernesto Gismondi**, Milan (IT)
- (73) Assignee: **ARTEMIDE S.P.A.**, Milan (IT)
- (**) Term: **15 Years**
- (21) Appl. No.: **29/754,169**
- (22) Filed: **Oct. 7, 2020**

- D716,490 S * 10/2014 De Bevilacqua D26/90
 - 8,950,921 B2 * 2/2015 Sheng G02B 6/0068
362/625
 - D738,027 S * 9/2015 Wang D26/85
 - D769,507 S * 10/2016 Raasch G02B 6/0081
D26/88
 - D789,593 S * 6/2017 Morrison D26/118
 - D802,819 S * 11/2017 Czech D26/76
 - D810,991 S * 2/2018 Lee G02B 6/0068
D26/88
 - D826,462 S * 8/2018 Sonneman D26/90
 - D827,179 S * 8/2018 Mou D26/85
- (Continued)

(30) **Foreign Application Priority Data**

- Apr. 8, 2020 (EM) 007799242-0005
- Apr. 8, 2020 (EM) 007799242-0006

- (51) **LOC (13) Cl.** **26-05**
- (52) **U.S. Cl.**
USPC **D26/88**
- (58) **Field of Classification Search**
USPC D26/26, 72, 80, 81, 82, 84-90, 92
CPC F21S 8/04; F21S 8/043; F21S 8/046; F21S
8/06; F21S 8/061; F21S 8/063; F21S
8/065; F21S 8/066; F21S 8/068
See application file for complete search history.

(56) **References Cited**

U.S. PATENT DOCUMENTS

- 6,880,963 B2 * 4/2005 Luig G02B 6/0081
362/555
- D649,679 S * 11/2011 Germain D26/85
- D650,509 S * 12/2011 Wegger D26/90
- D668,371 S * 10/2012 Alpaslan D26/75
- D674,952 S * 1/2013 Crosby D26/85
- D689,647 S * 9/2013 Brott D26/88
- D693,045 S * 11/2013 Kirschhoffer D26/88
- D711,584 S * 8/2014 Parker D26/120
- D715,993 S * 10/2014 Grcic F21V 33/006
D26/88

OTHER PUBLICATIONS

Flos, Super Flat Suspension Down. First available Sep. 7, 2018. Searched Mar. 4, 2022. [<https://arch.flosusa.com/wall-ceiling/super-flat/>] (Year: 2018).*

(Continued)

Primary Examiner — Samantha Q Lawrence
Assistant Examiner — Melissa Adriane Santos
(74) *Attorney, Agent, or Firm* — The Belles Group, P.C.

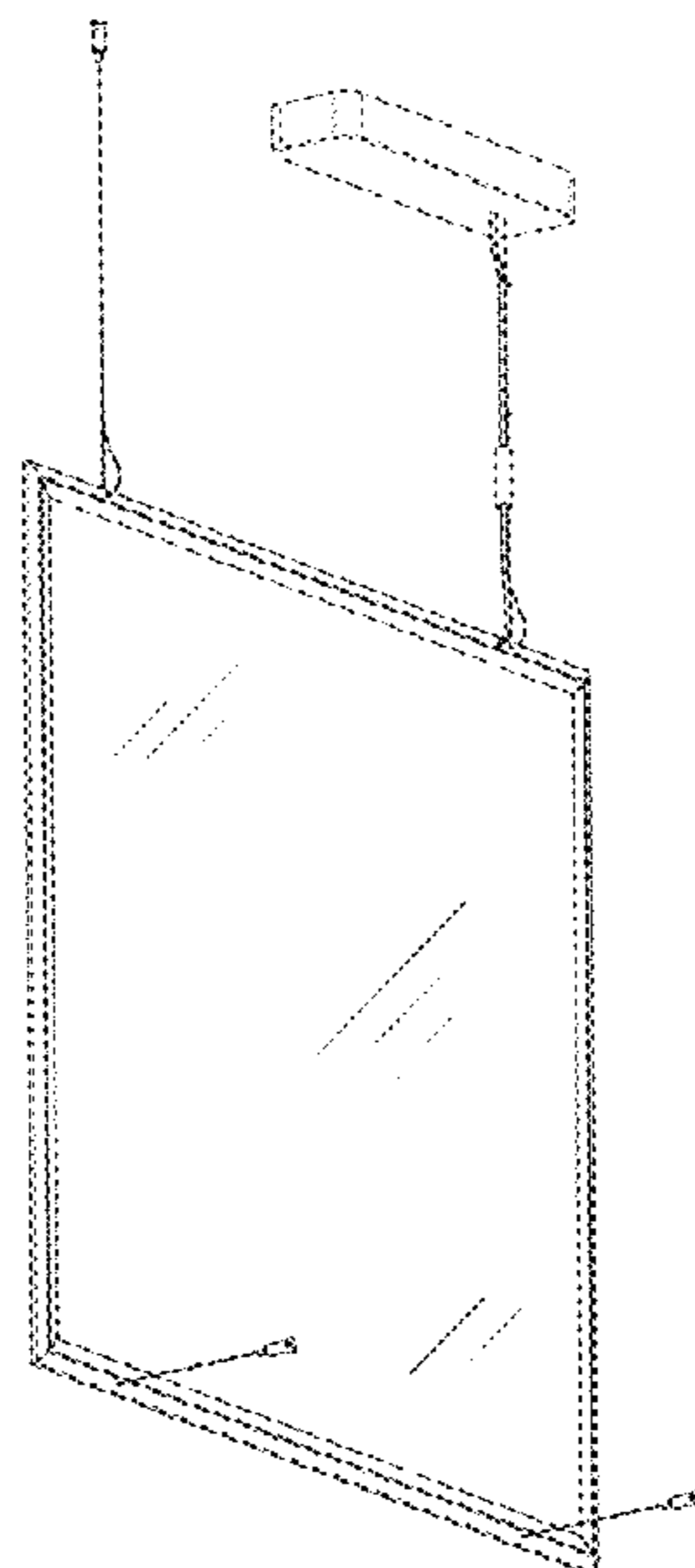
(57) **CLAIM**

The ornamental design for a lamp, as shown and described.

DESCRIPTION

FIG. 1 is a perspective view of a lamp in accordance with my new design;
FIG. 2 is a front view thereof;
FIG. 3 is a rear view thereof;
FIG. 4 is a right side view thereof;
FIG. 5 is a left side view thereof;
FIG. 6 is a top view thereof; and,
FIG. 7 is a bottom view thereof.
The broken lines in the drawings illustrate portions of the lamp that form no part of the claimed design.

1 Claim, 7 Drawing Sheets



(56)

References Cited

U.S. PATENT DOCUMENTS

D870,356	S *	12/2019	Meise	D26/90
D886,355	S *	6/2020	Chen	D26/92
D889,726	S *	7/2020	Gismondi	D26/88
D890,979	S *	7/2020	De Silva	D26/90
D911,585	S *	2/2021	Anastassiades	D26/88
D913,569	S *	3/2021	Arola	D26/88
D914,269	S *	3/2021	Anastassiades	D26/88
D926,350	S *	7/2021	Gismondi	D26/88
D929,031	S *	8/2021	Sieczkowski	D26/138
11,339,935	B2 *	5/2022	Feit	F21S 8/043
2006/0098444	A1 *	5/2006	Petruzzi	F21S 8/06 362/404
2013/0027927	A1 *	1/2013	Wegger	F21S 8/06 362/235
2013/0107519	A1 *	5/2013	Kim	H05K 1/189 362/249.02
2013/0307420	A1 *	11/2013	Yoder	F21V 33/006 315/307
2014/0268766	A1 *	9/2014	Lu	F21V 5/08 362/249.1
2017/0074495	A1 *	3/2017	Skergeth	F21V 23/001
2021/0088709	A1 *	3/2021	Gismondi	F21V 29/70

OTHER PUBLICATIONS

Nemo Lighting, Spigolo Pendant Vertical. First available unknown.
Searched Mar. 4, 2022. [<https://www.nemolighting.com/product/spigolo-pendant-vertical/>] (Year: 2022).*

* cited by examiner

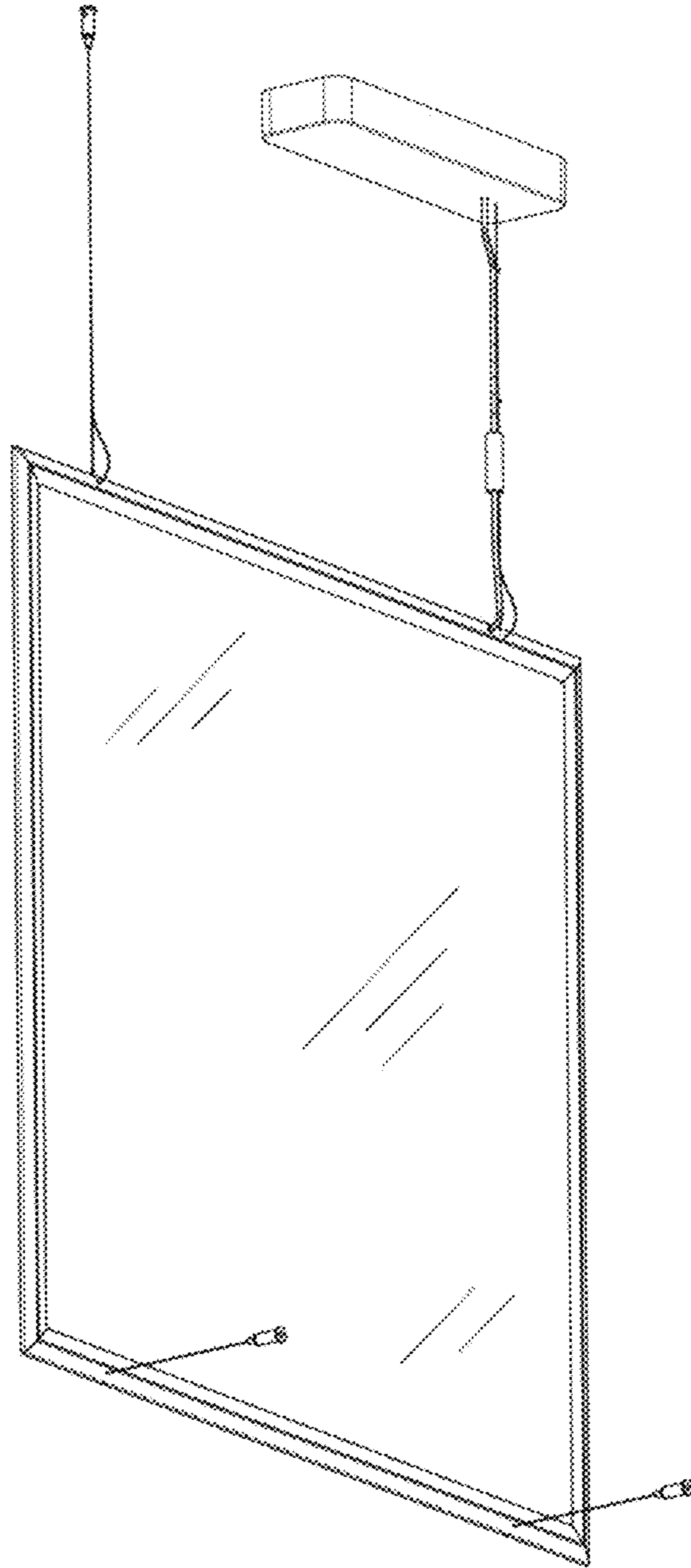


FIG. 1

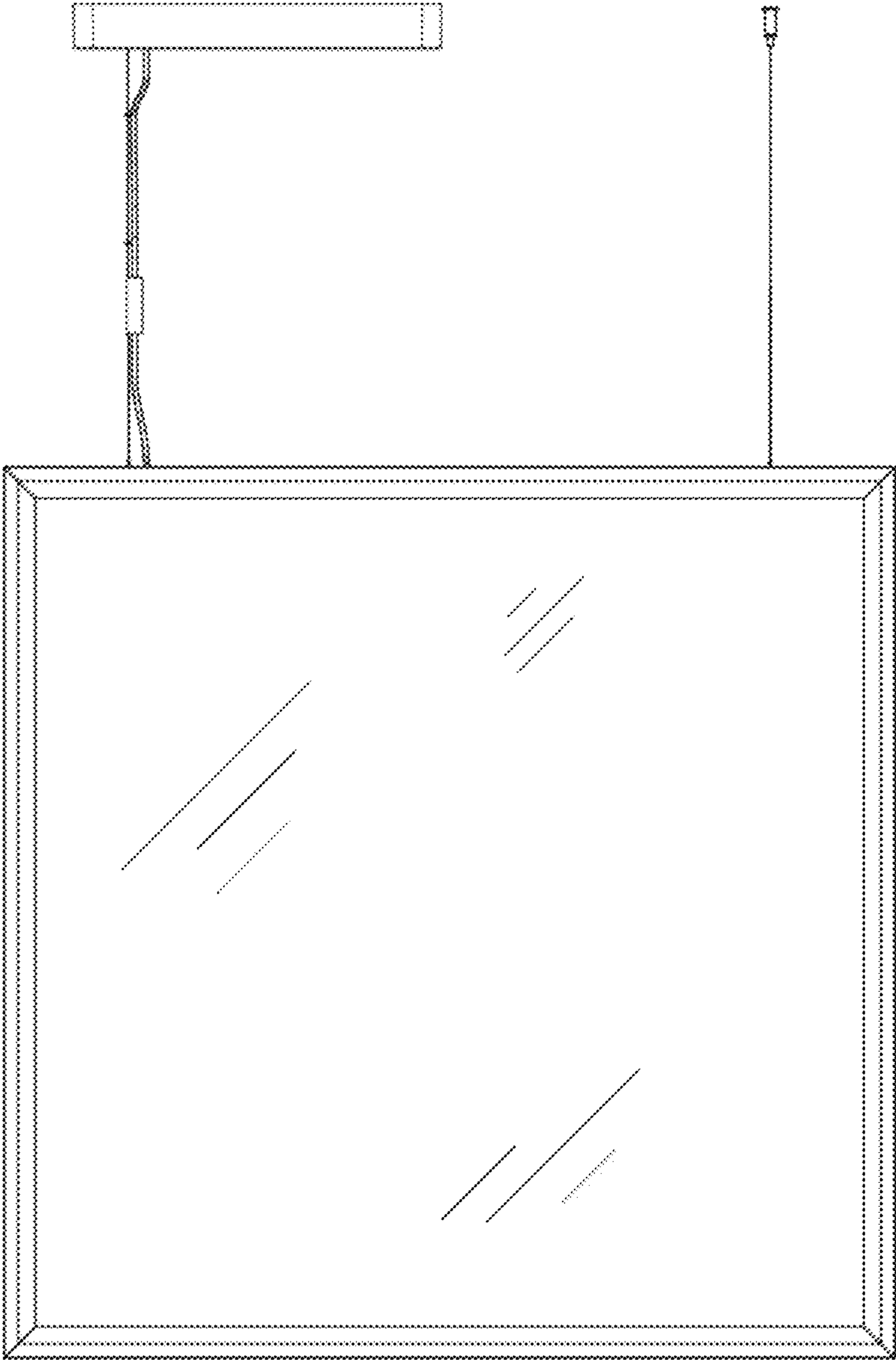


FIG. 2

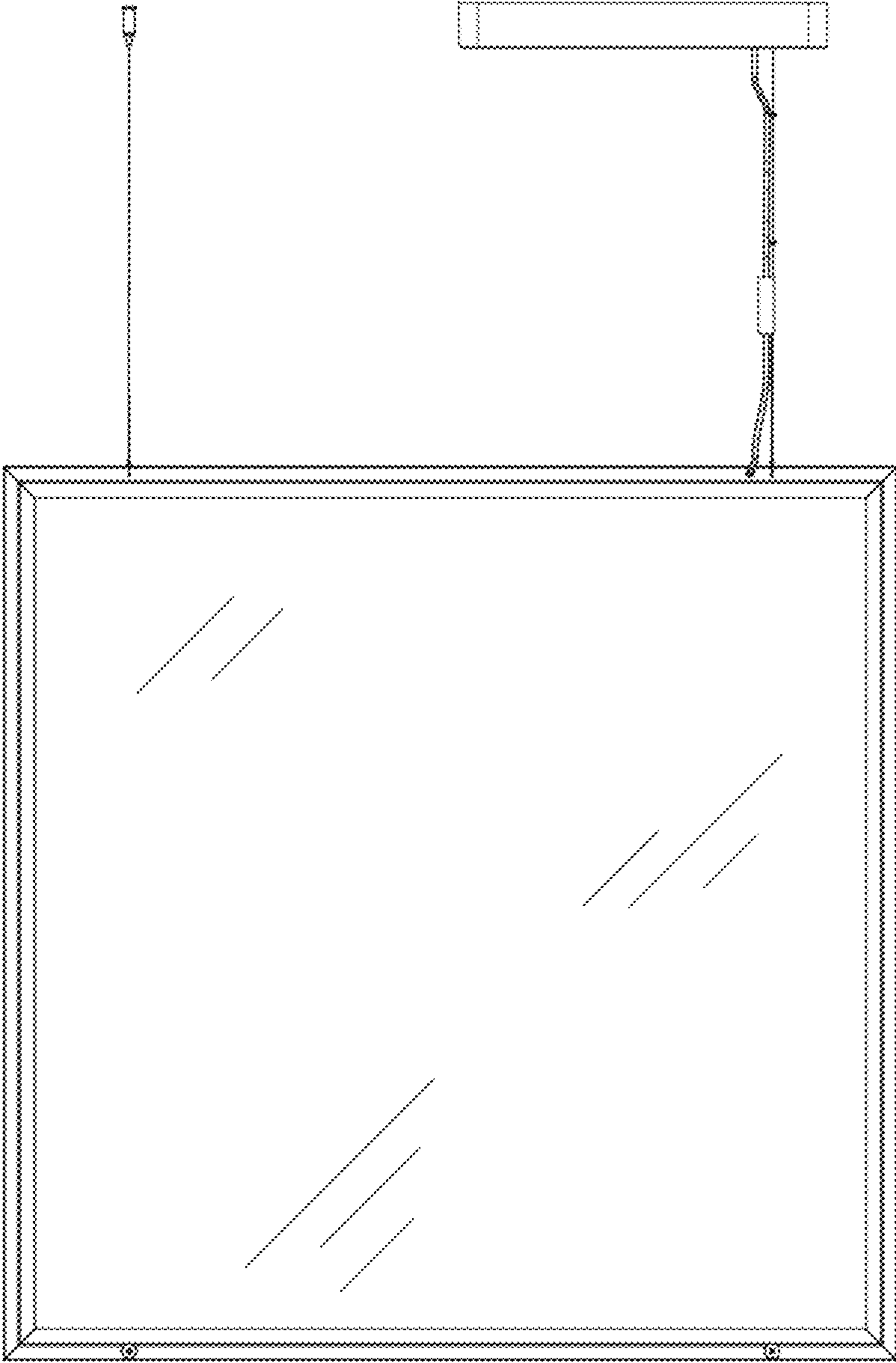


FIG. 3

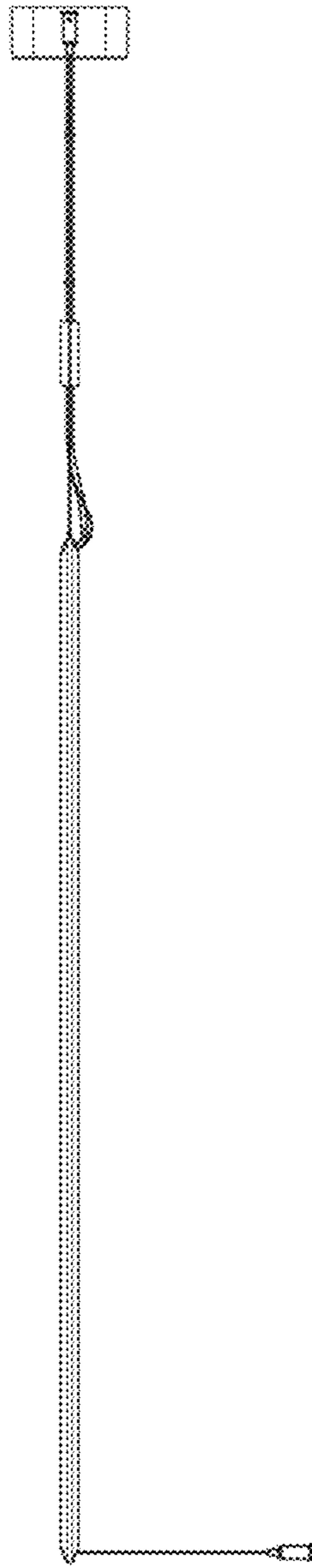


FIG. 4

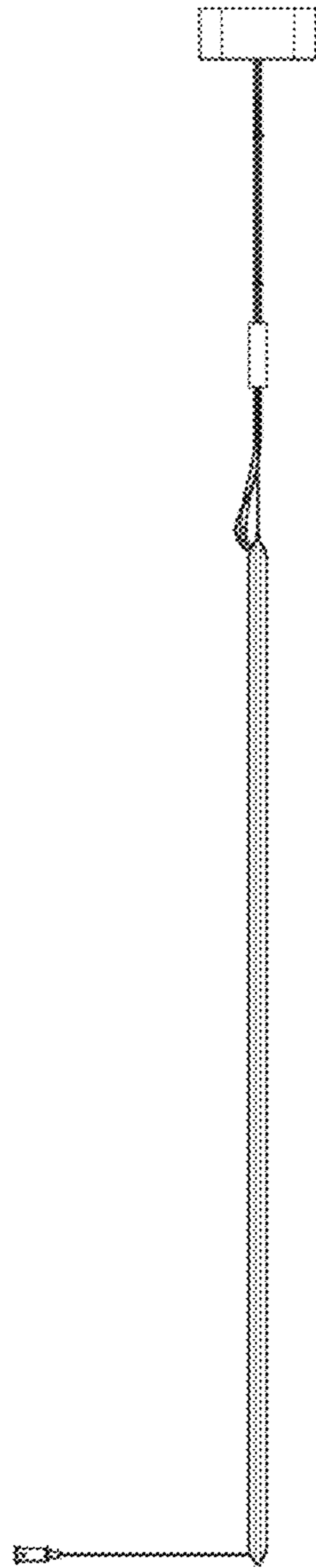


FIG. 5

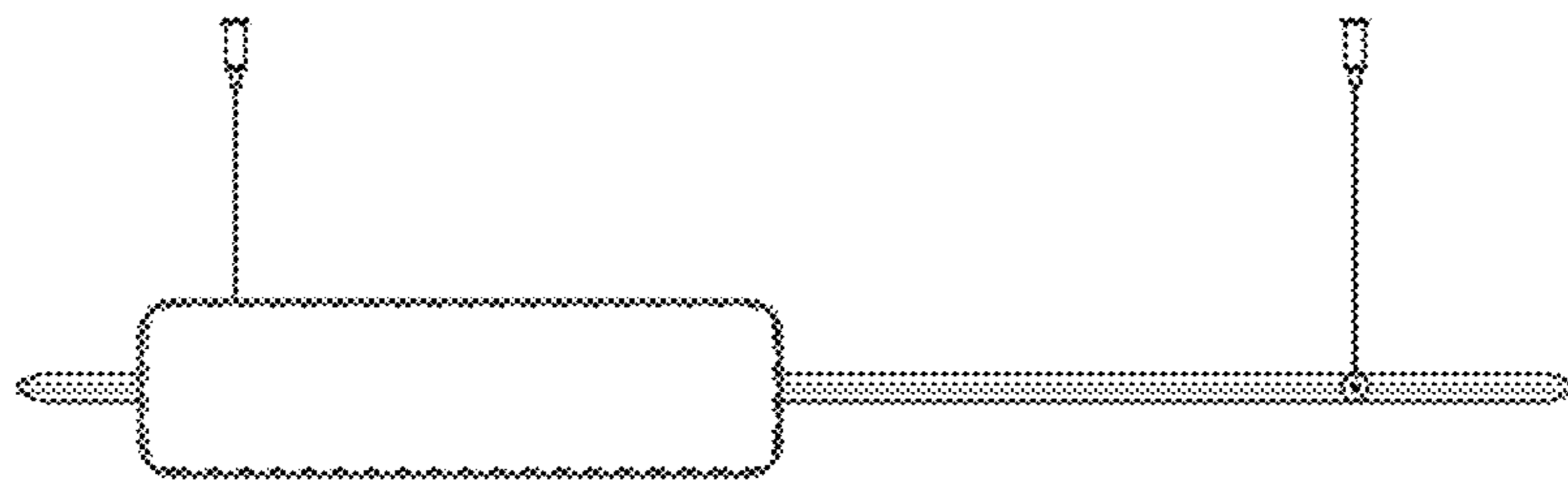


FIG. 6

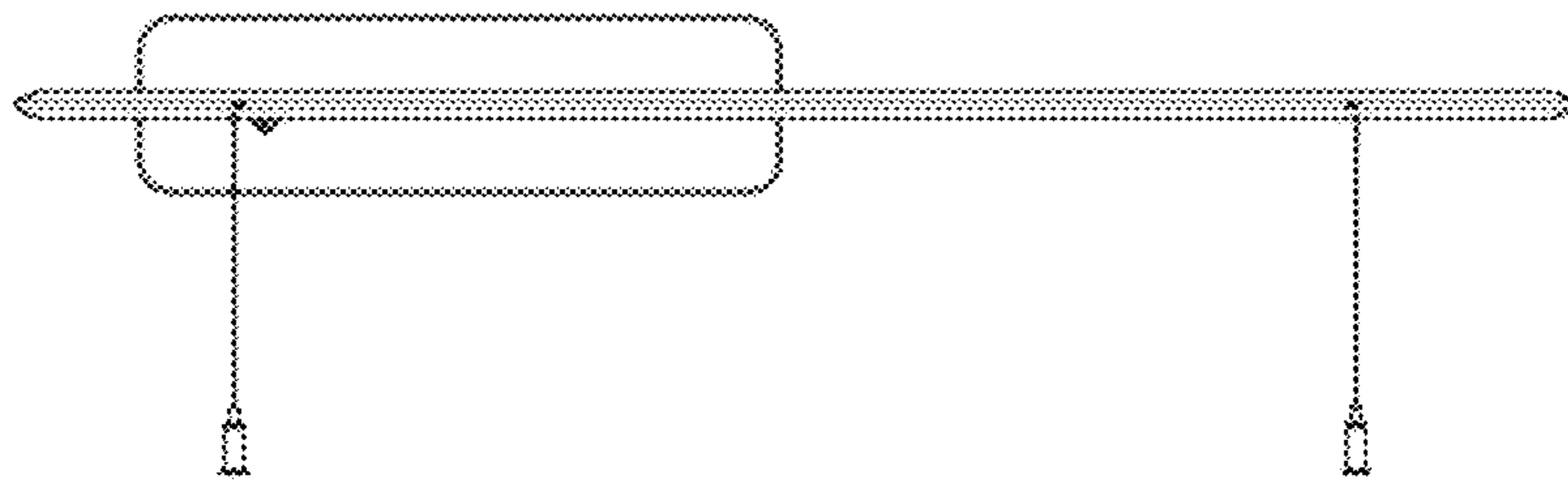


FIG. 7