



US00D965201S

(12) **United States Design Patent**
Cai

(10) **Patent No.:** **US D965,201 S**

(45) **Date of Patent:** **** Sep. 27, 2022**

(54) **WALL-MOUNTED HANGING LANTERN**

- (71) Applicant: **Yunhong Cai**, Shenzhen (CN)
- (72) Inventor: **Yunhong Cai**, Shenzhen (CN)
- (73) Assignee: **Shenzhen Derui New Technology Co., Ltd**, Shenzhen (CN)

(**) Term: **15 Years**

(21) Appl. No.: **29/783,210**

(22) Filed: **May 12, 2021**

(51) **LOC (13) Cl.** **26-03**

(52) **U.S. Cl.**
USPC **D26/87**

(58) **Field of Classification Search**
USPC D26/40, 41, 67, 68, 85, 92, 87
CPC F21S 8/03; F21S 8/033; F21S 8/036; F21S 8/081; F21S 9/037; F21W 2111/02; F21W 2111/023; F21W 2132/109
See application file for complete search history.

(56) **References Cited**

U.S. PATENT DOCUMENTS

D383,239 S *	9/1997	Porter	D26/87
D429,363 S *	8/2000	Hsieh	D26/87
D437,963 S *	2/2001	Xu	D26/87
D461,577 S *	8/2002	Cheong	D26/67
D481,819 S	11/2003	Cheong et al.		
D487,322 S *	3/2004	Hsu	D26/92
D487,525 S *	3/2004	Hsu	D26/72
D488,580 S *	4/2004	Hsu	D26/92
D533,677 S *	12/2006	Broughton	D26/92
D699,339 S *	2/2014	Wang	D23/385
D707,380 S *	6/2014	Sooferian	D26/68
D723,209 S	2/2015	Orozco		
D851,810 S *	6/2019	Workman	D26/88
D939,757 S *	12/2021	Browning	D26/119
D952,216 S *	5/2022	Wang	D26/41

OTHER PUBLICATIONS

- ICERONA Outdoor Hanging Solar Lights, ASIN: B097H9ZN1Z. Available from amazon.com Jun. 18, 2021. (Year: 2021).*
- DERAYSION Solar Hanging Outdoor Lights, ASIN:B08HVWM1KX. Available from amazon.com Sep. 12, 2020. (Year: 2020).*
- OTDAIR Solar Wall Lantern ASIN: B086WC3RQJ. Available from amazon.com Apr. 8, 2020. (Year: 2020).*
- DERYNOME Hanging Wireless Waterproof Lantern, ASIN: B08H88VDGH. Available from amazon.com Sep. 30, 2020. (Year: 2020).*
- DERYNOME Upgraded Hanging Solar Lantern, ASIN: B09SHC48C5. Available from amazon.com Feb. 15, 2022. (Year: 2022).*
- Home Zone Security Solar Wall Lantern, ASIN: B07QYCL663. Available from amazon.com May 13, 2019. (Year: 2019).*

* cited by examiner

Primary Examiner — Clare E Heflin

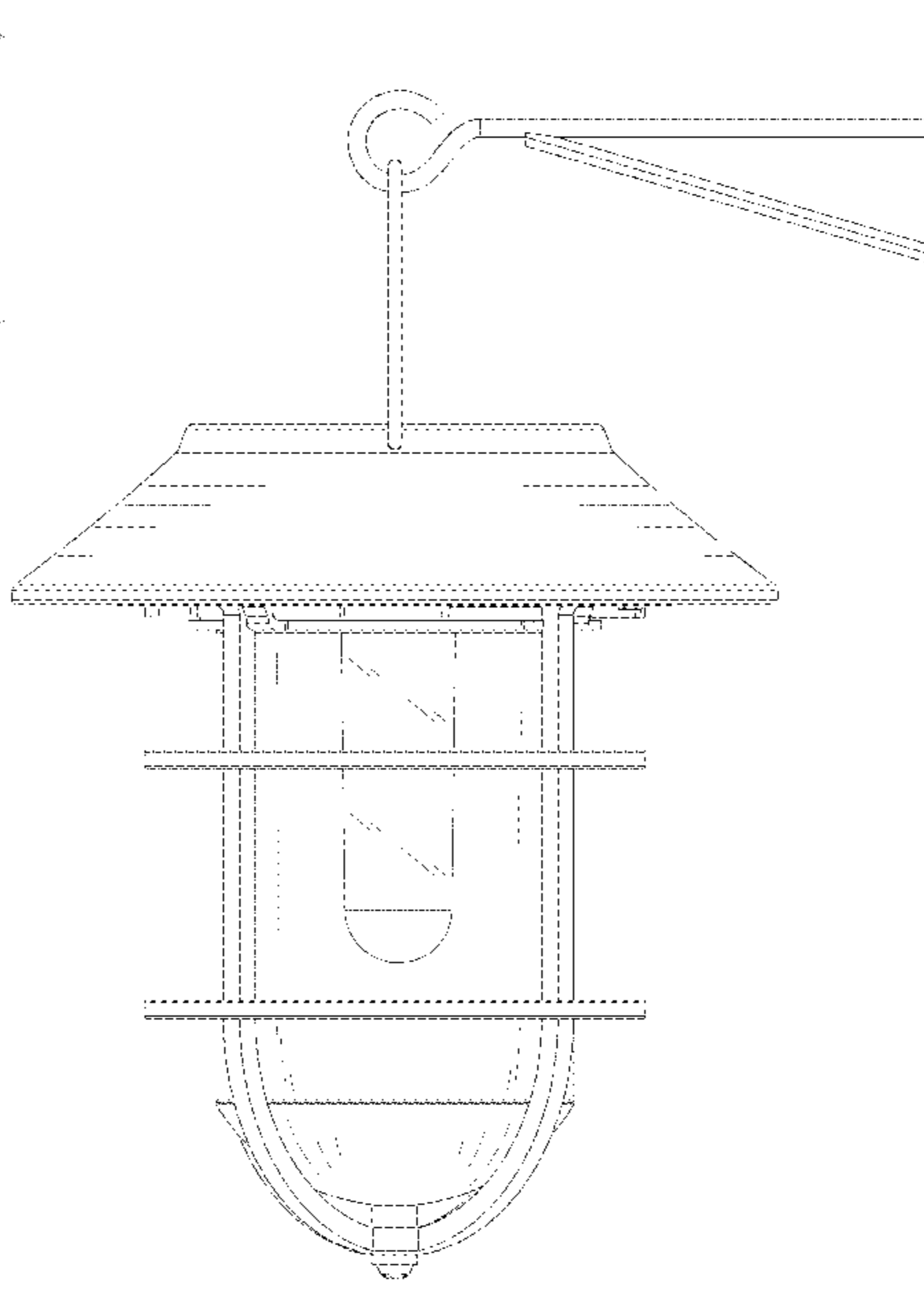
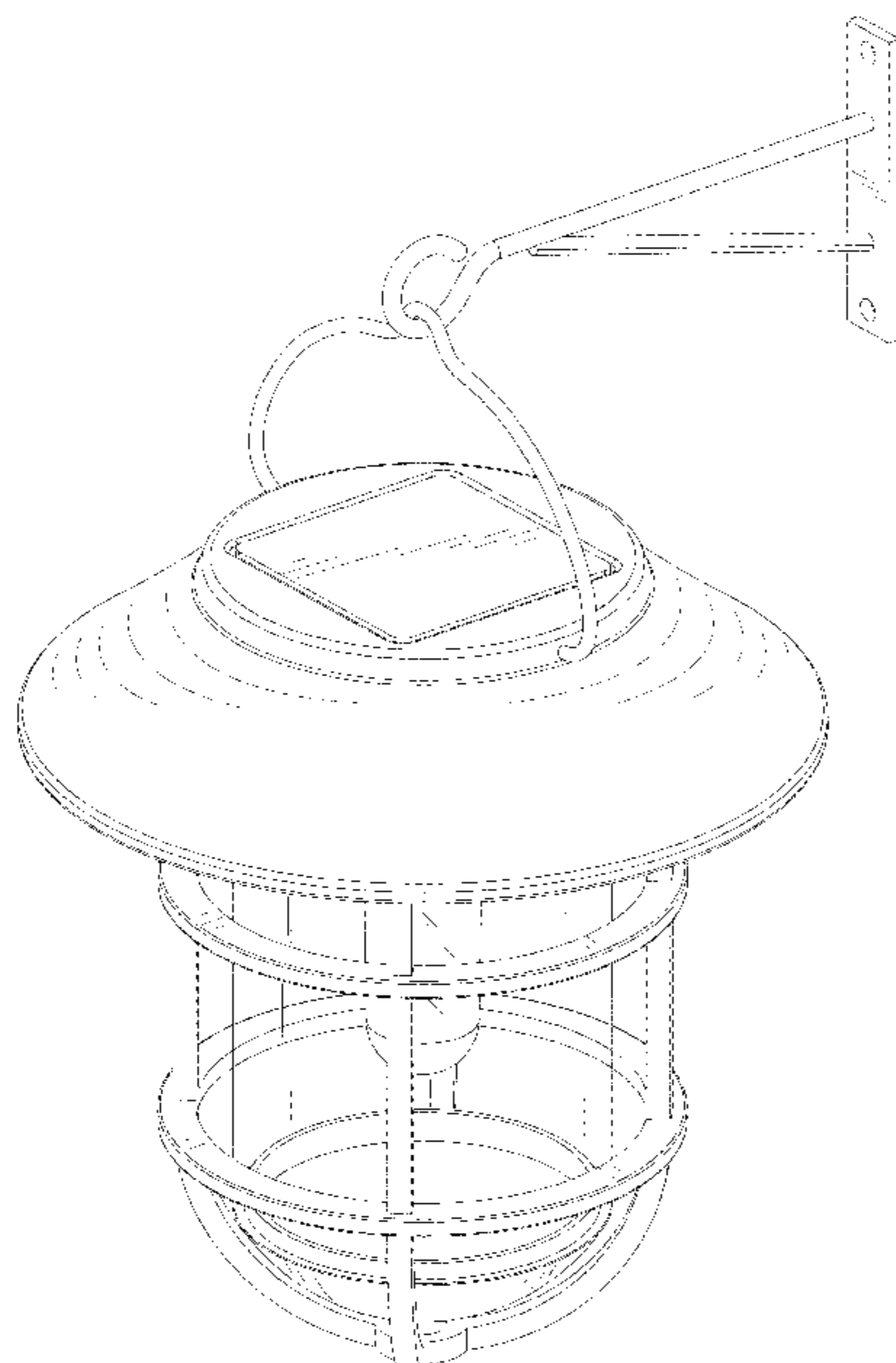
(57) **CLAIM**

The ornamental design for a wall-mounted hanging lantern, as shown and described.

DESCRIPTION

FIG. 1 is a front, top perspective view of a wall-mounted hanging lantern showing my new design;
 FIG. 2 is a rear, bottom perspective view thereof;
 FIG. 3 is a front elevation view thereof;
 FIG. 4 is a rear elevation view thereof;
 FIG. 5 is a left side elevation view thereof;
 FIG. 6 is a right side elevation view thereof;
 FIG. 7 is a top plan view thereof; and,
 FIG. 8 is a bottom plan view thereof.
 The broken lines shown in the figures are for the purpose of illustrating portions of the wall-mounted hanging lantern that forms no part of the claimed design.

1 Claim, 8 Drawing Sheets



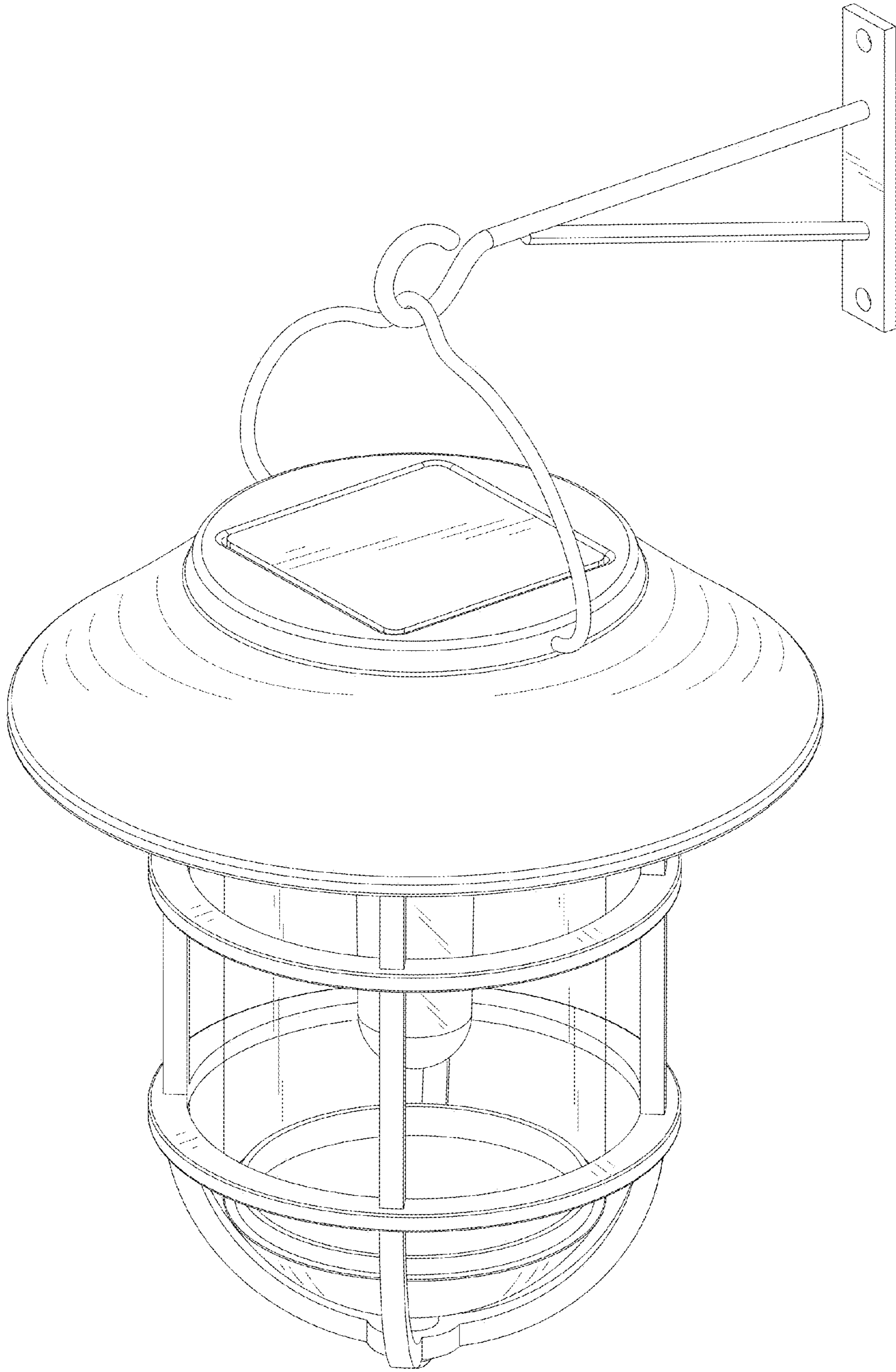


FIG. 1

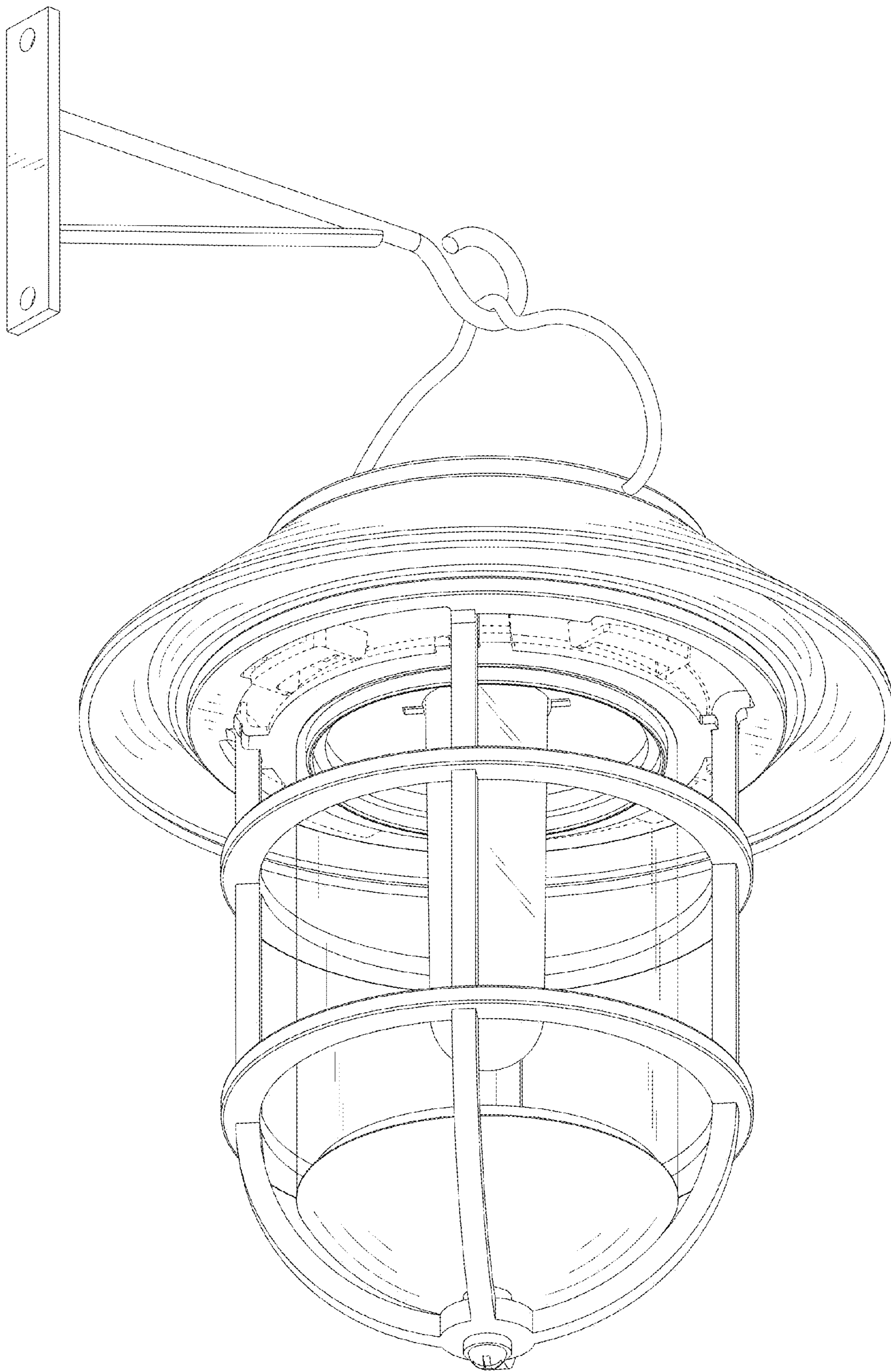


FIG. 2

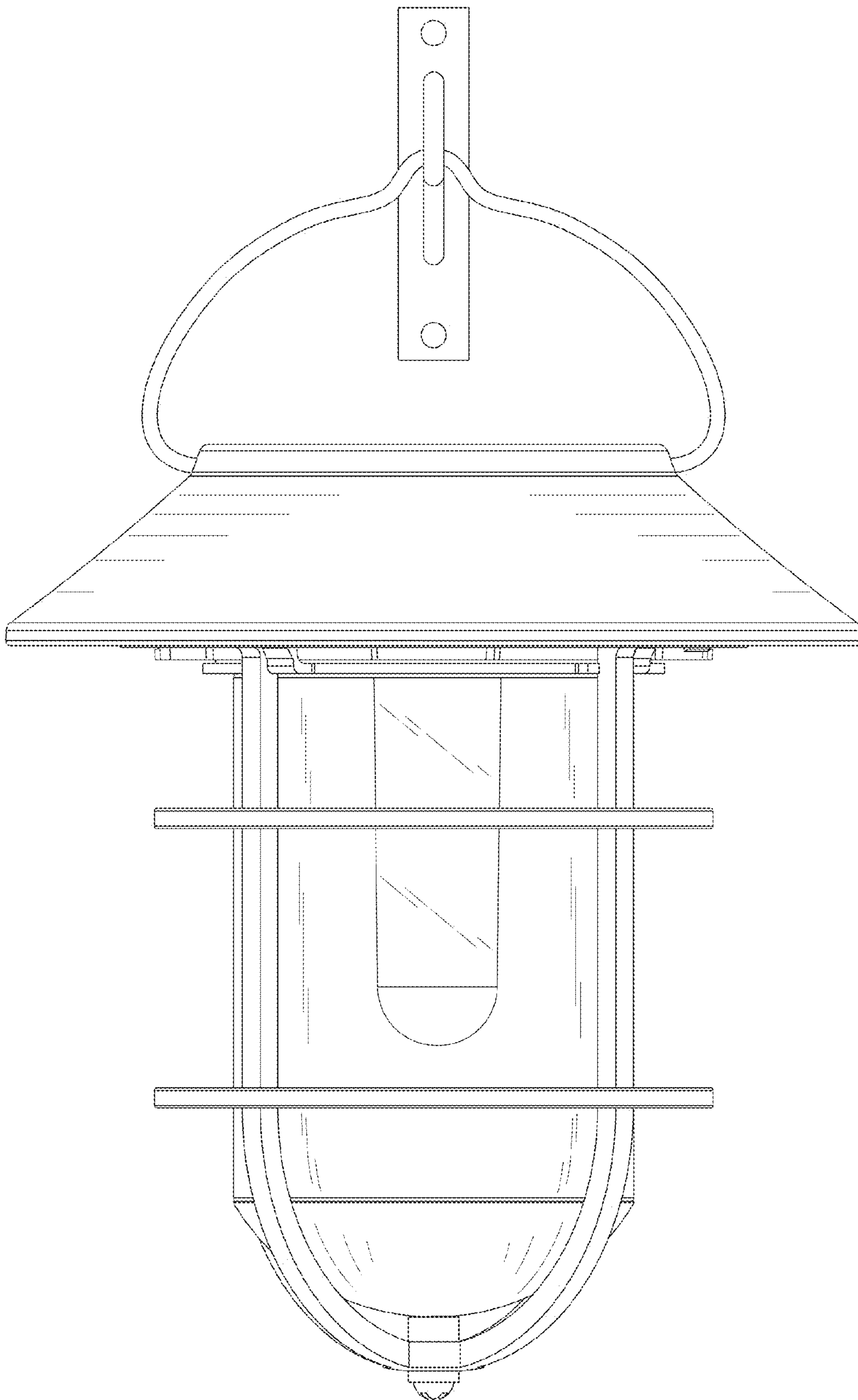


FIG. 3

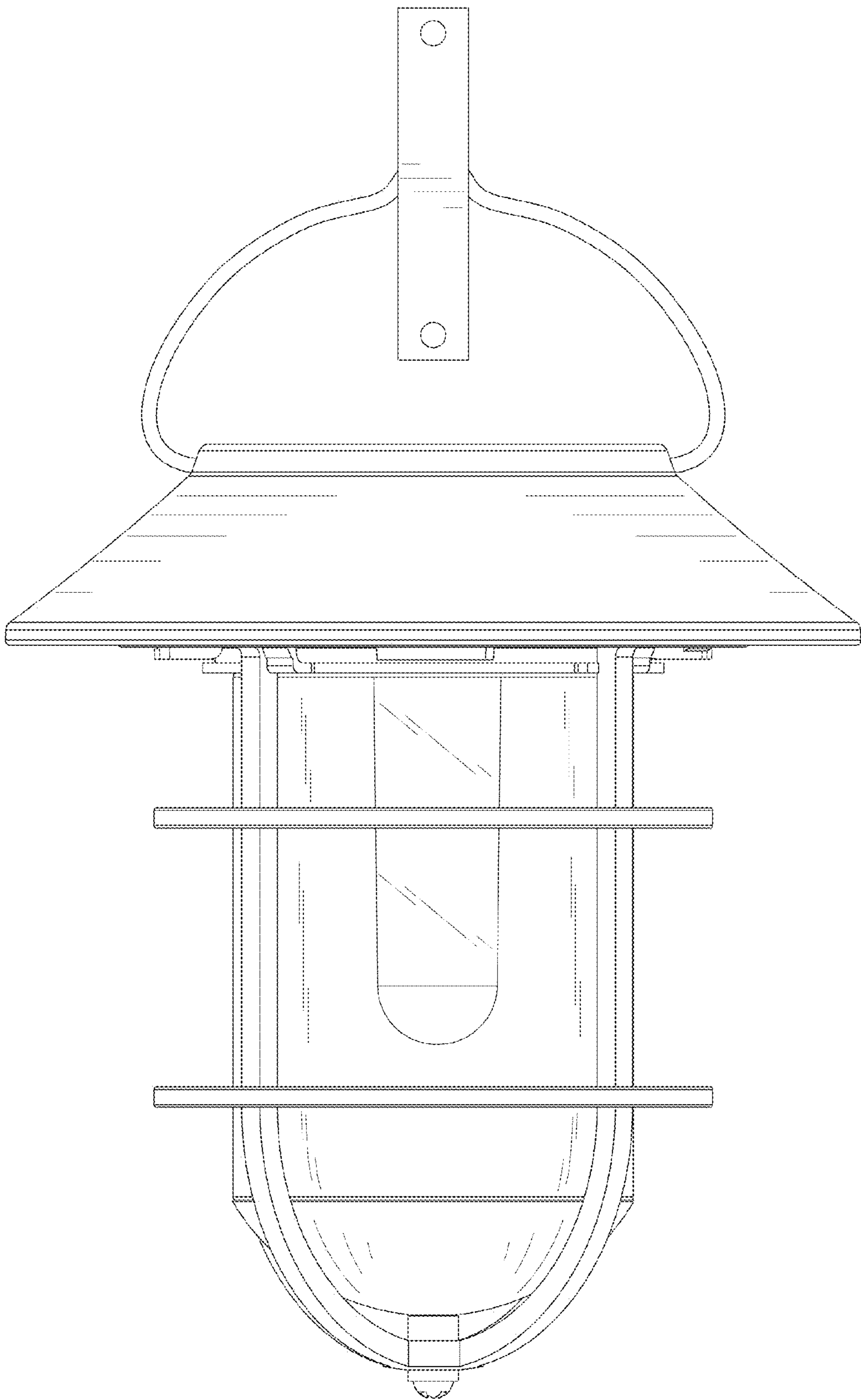


FIG. 4

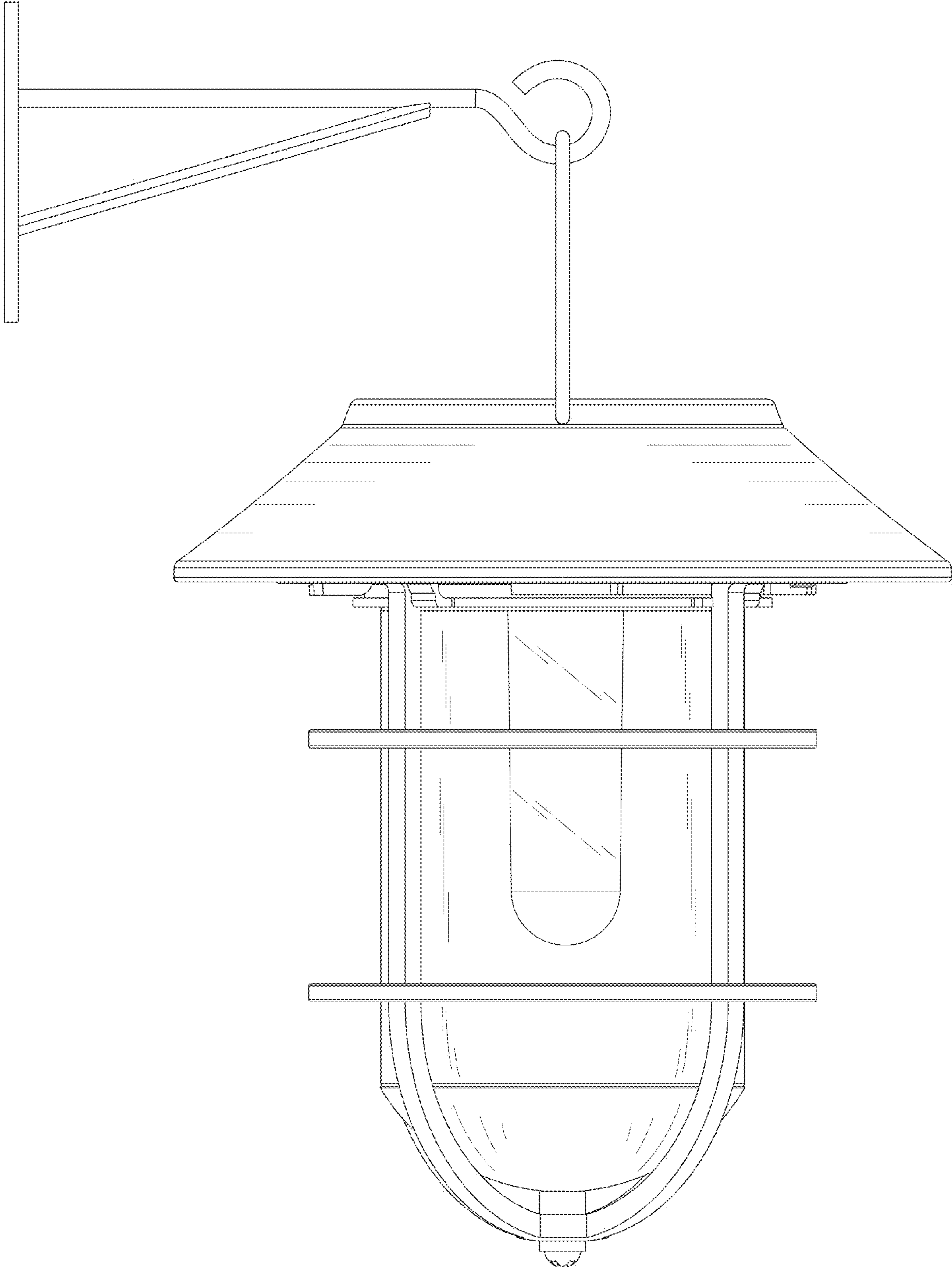


FIG. 5

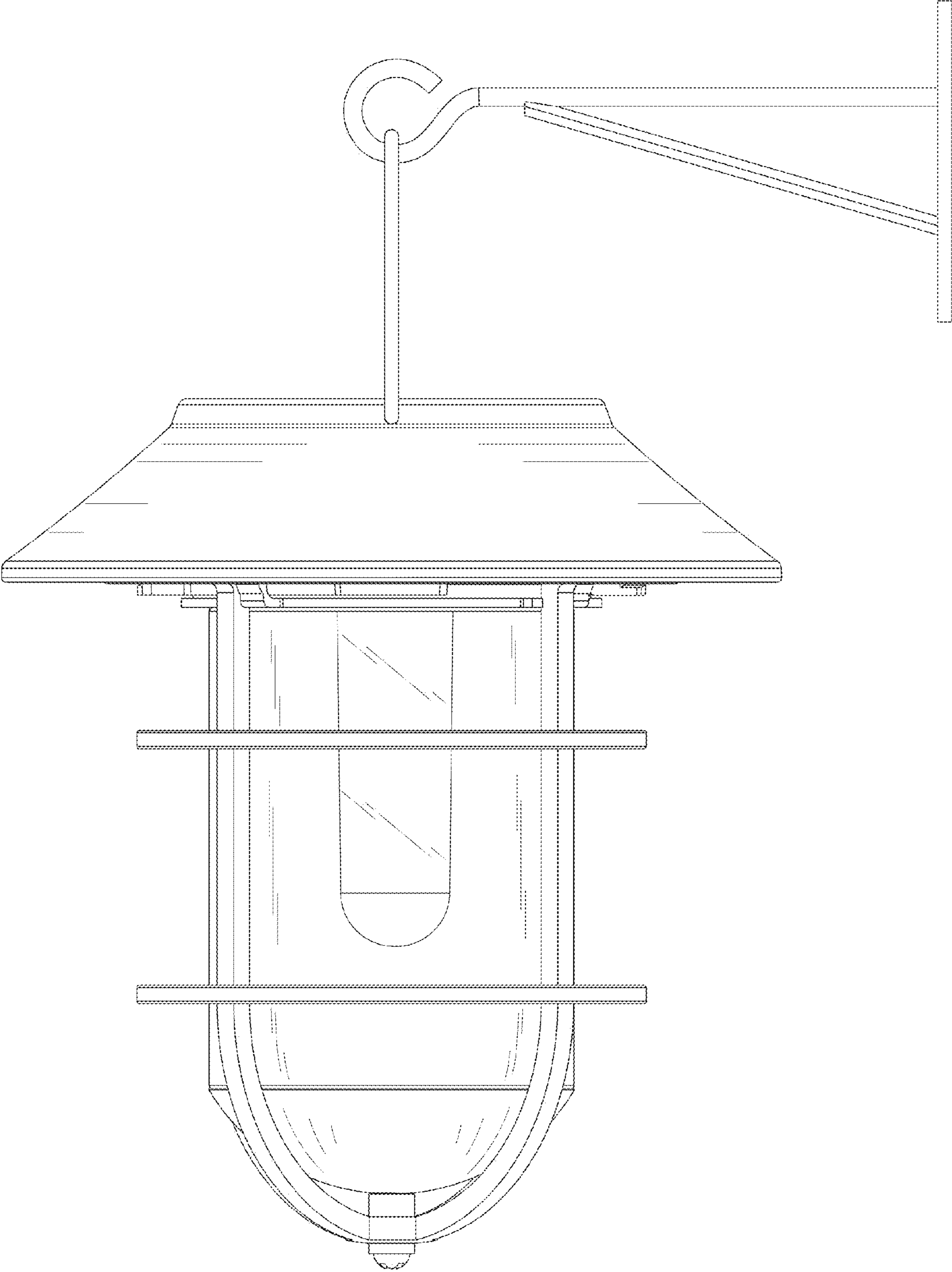


FIG. 6

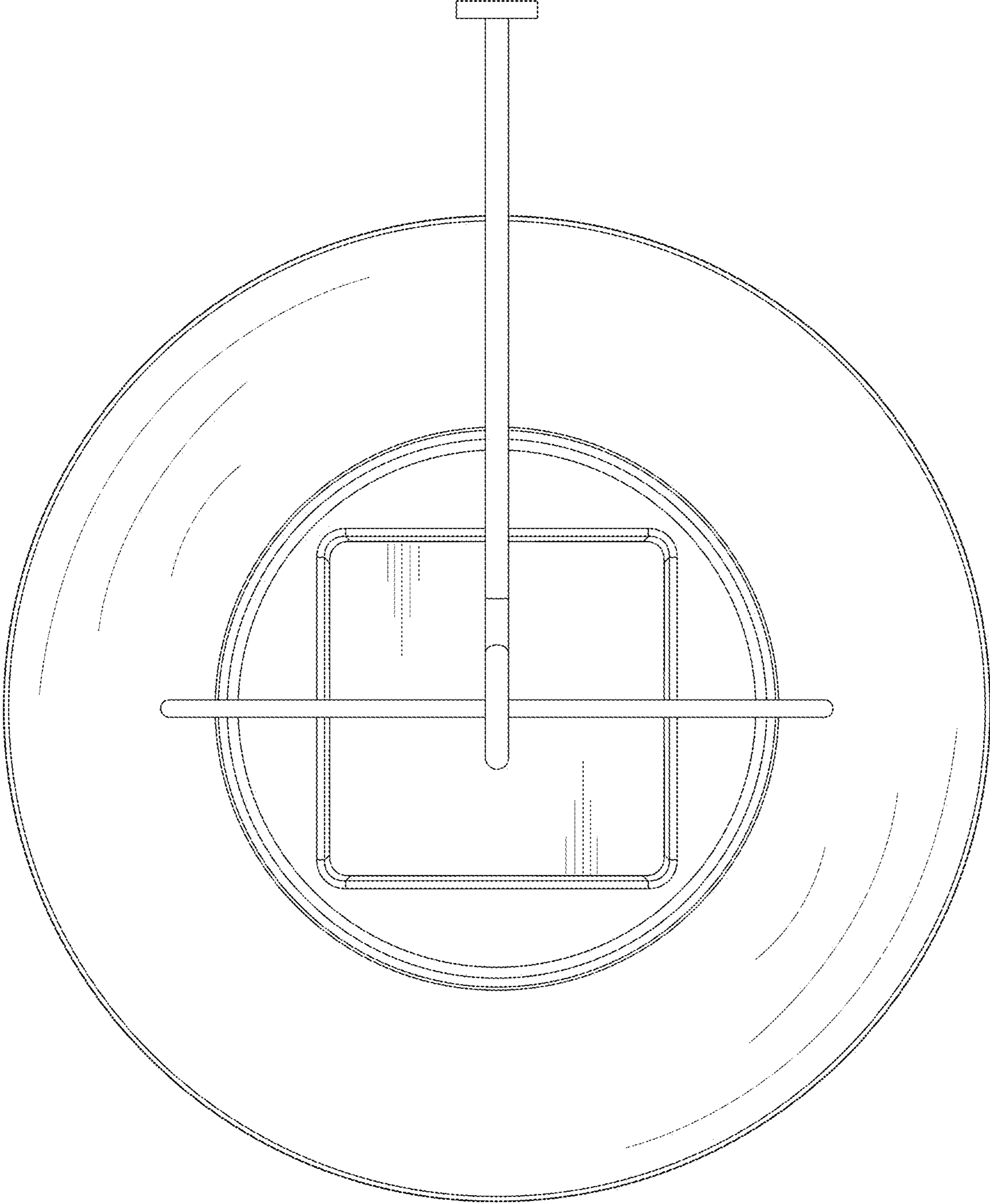


FIG. 7

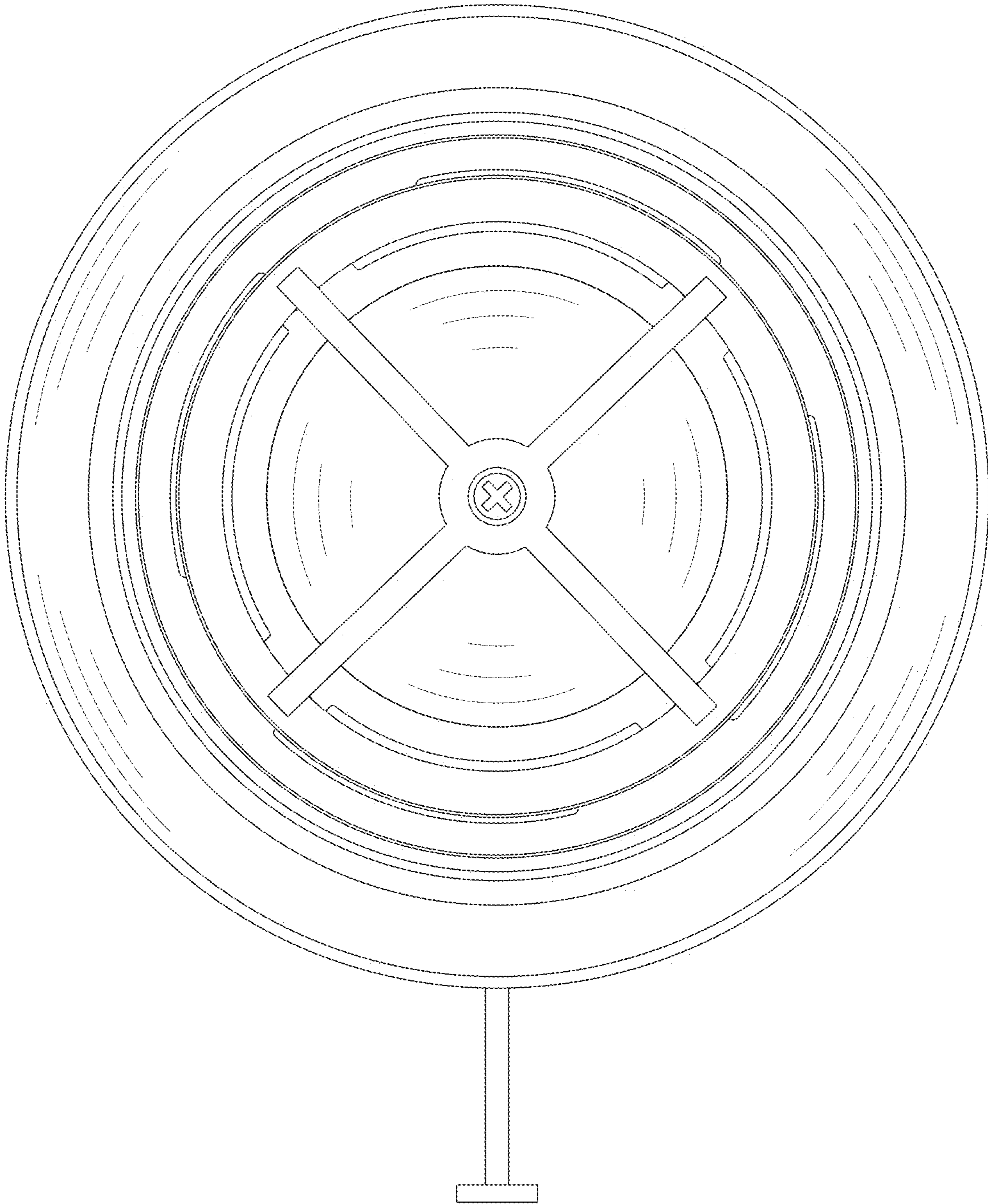


FIG. 8