



US00D965195S

(12) **United States Design Patent** (10) **Patent No.:** **US D965,195 S**
Guo (45) **Date of Patent:** **** Sep. 27, 2022**

(54) **LED LIGHT**
(71) Applicant: **SHENZHEN OUYIXIN TECHNOOLOGY CO., LTD.**, Shenzhen (CN)
(72) Inventor: **Liping Guo**, Shenzhen (CN)
(**) Term: **15 Years**
(21) Appl. No.: **29/795,375**
(22) Filed: **Jun. 17, 2021**
(51) **LOC (13) Cl.** **26-05**
(52) **U.S. Cl.**
USPC **D26/75**
(58) **Field of Classification Search**
USPC D26/24, 69, 72, 74, 75, 76, 85, 92, 93, D26/104, 105, 106, 110, 112, 120
CPC F21S 8/02; F21S 8/033; F21S 8/036; F21S 8/04; F21S 8/085
See application file for complete search history.

(56) **References Cited**

U.S. PATENT DOCUMENTS

D617,488 S * 6/2010 Cho D26/76
D671,254 S * 11/2012 Miyatake D26/75
D750,308 S * 2/2016 Rodgers D26/76
D753,863 S * 4/2016 Bembridge D26/71
D754,902 S * 4/2016 Parker D26/76
D786,470 S * 5/2017 Largent D26/72
D824,548 S 7/2018 Bobel
D850,698 S * 6/2019 Prats D26/76
D858,851 S * 9/2019 Petersen D26/76
D859,199 S 9/2019 Goltche
D862,766 S * 10/2019 Kim D26/76

D880,019 S 3/2020 Leydig
D897,022 S * 9/2020 Guo D26/76
D898,976 S 10/2020 Xu
D907,841 S * 1/2021 Dobin D26/138
D910,883 S 2/2021 Jiang et al.
D910,884 S 2/2021 Jiang et al.
D912,299 S 3/2021 Lin
D912,879 S 3/2021 Hu
D917,753 S 4/2021 Guo et al.
2013/0094224 A1 * 4/2013 Miyatake F21V 21/02 362/363
2017/0356631 A1 * 12/2017 Satterfield F21V 15/013

* cited by examiner

Primary Examiner — Richard Kearney
Assistant Examiner — Benjamin M Weeks

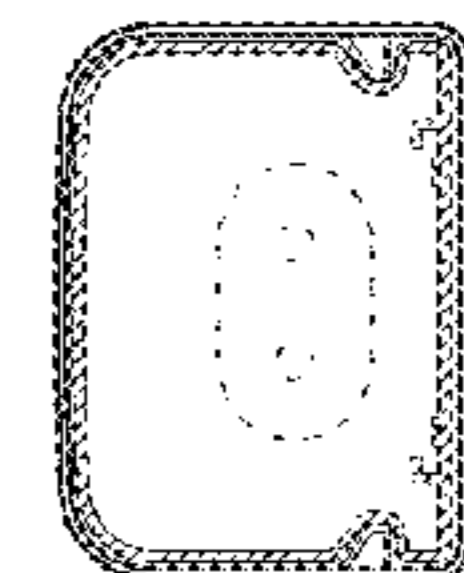
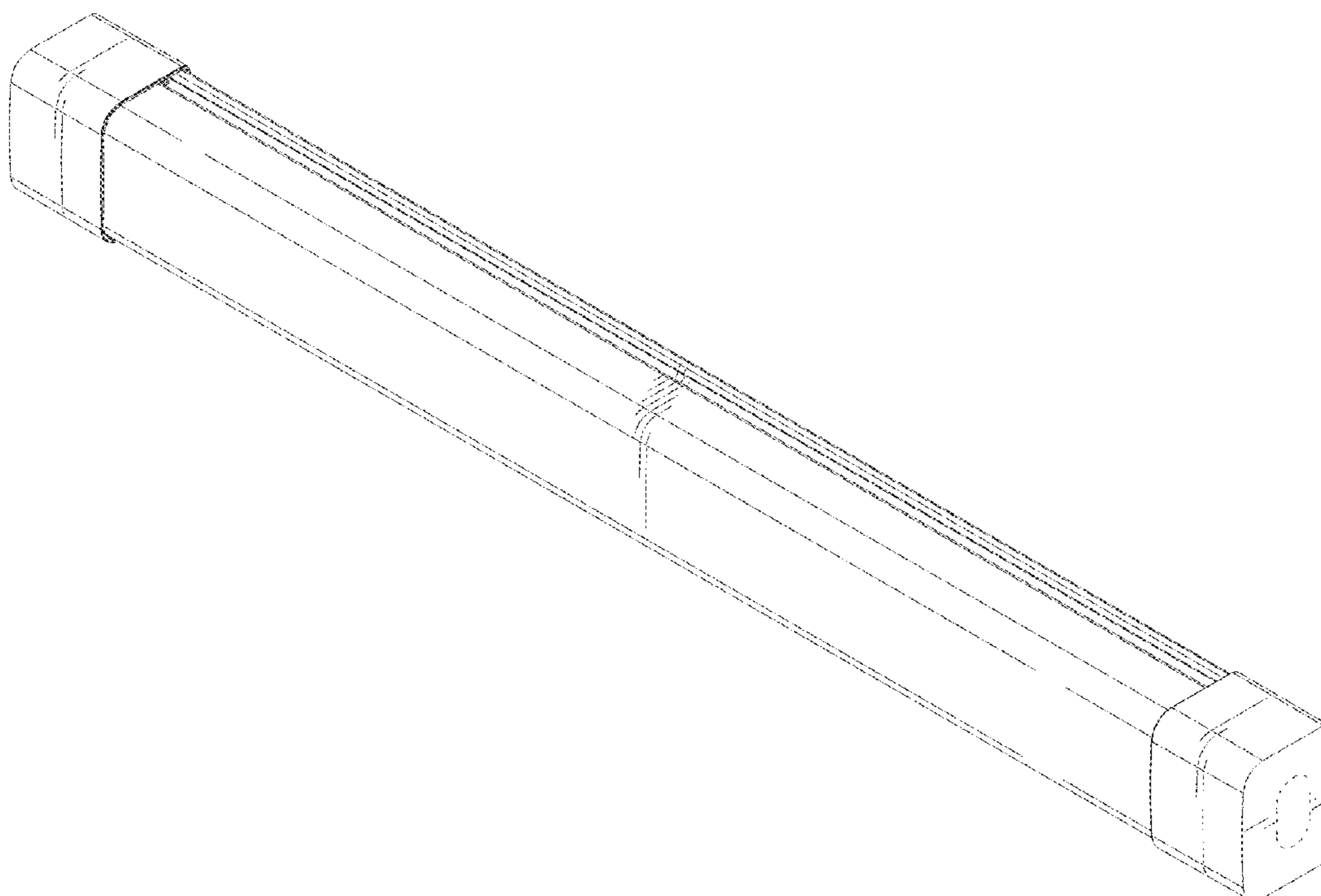
(57) **CLAIM**

The ornamental design for an LED light, as shown and described.

DESCRIPTION

FIG. 1 is a front, right side, top perspective view of an LED light showing my new design;
FIG. 2 is a front elevational view thereof;
FIG. 3 is a rear elevational view thereof;
FIG. 4 is a left side elevational view thereof;
FIG. 5 is a right side elevational view thereof;
FIG. 6 is a top plan view thereof;
FIG. 7 is a bottom plan view thereof; and,
FIG. 8 is a cross-sectional view of the LED light as taken along the lines 8-8 in FIG. 2.
The broken lines depict portions of the LED light that form no part of the claimed design.

1 Claim, 8 Drawing Sheets



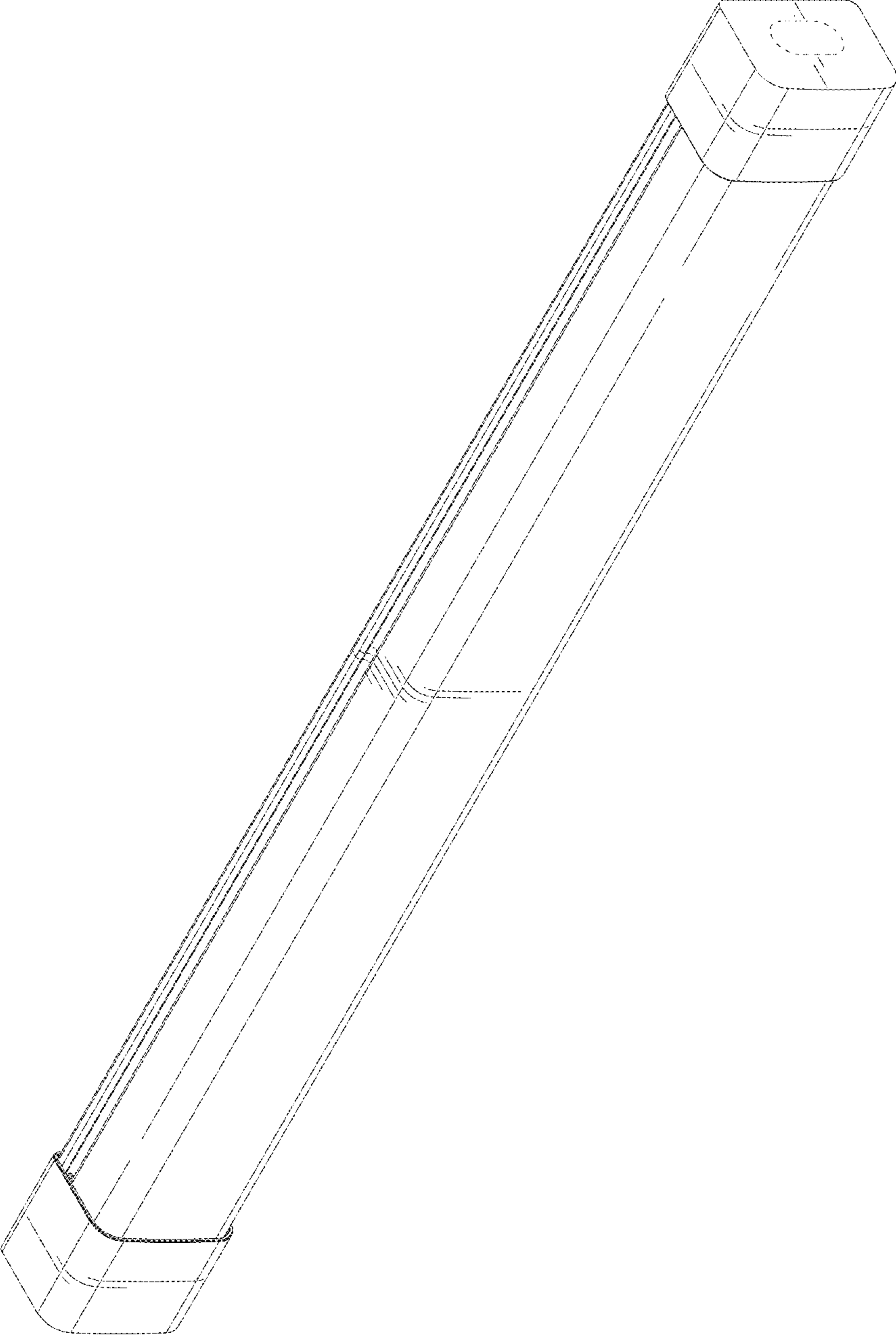


FIG. 1

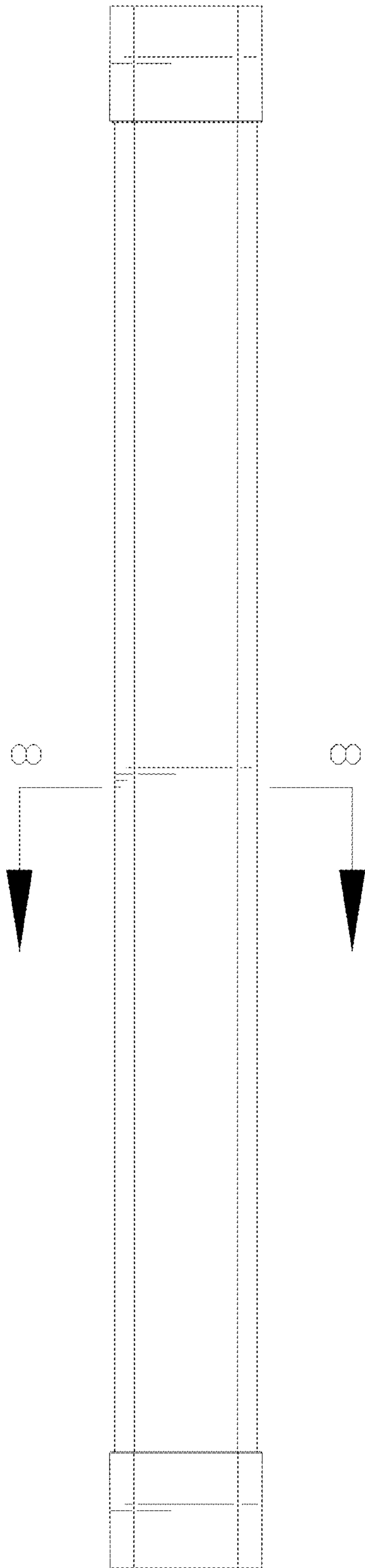


FIG. 2

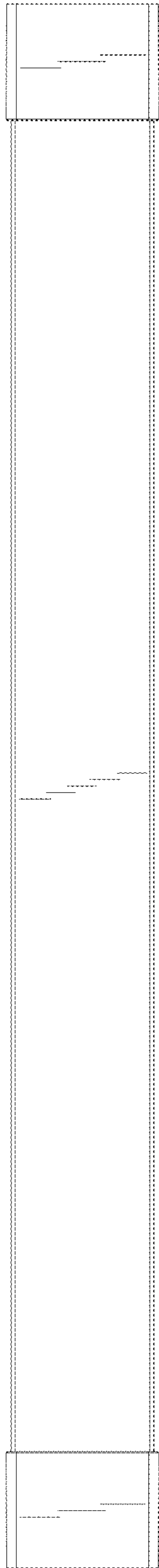


FIG. 3

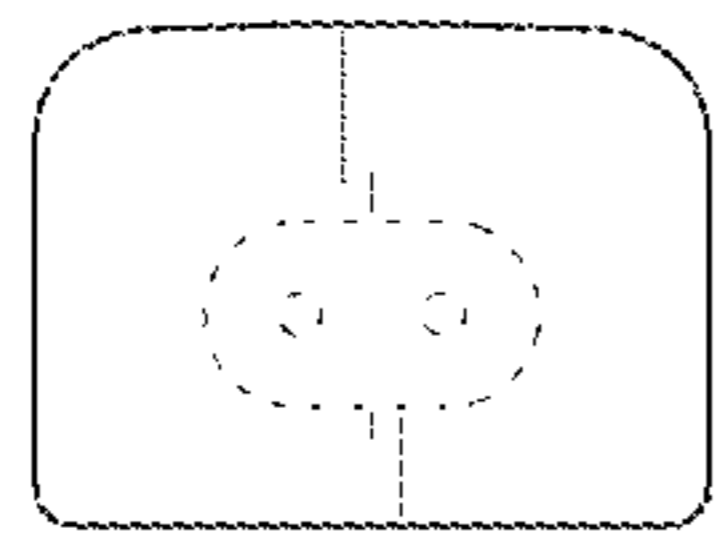


FIG. 4

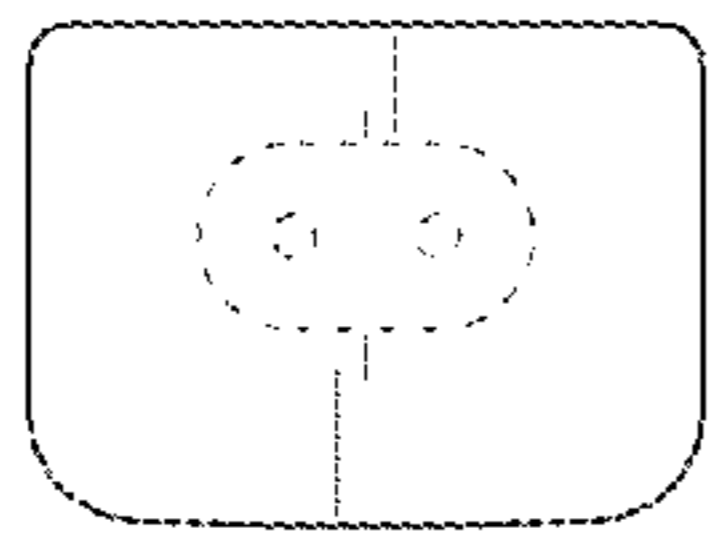


FIG. 5

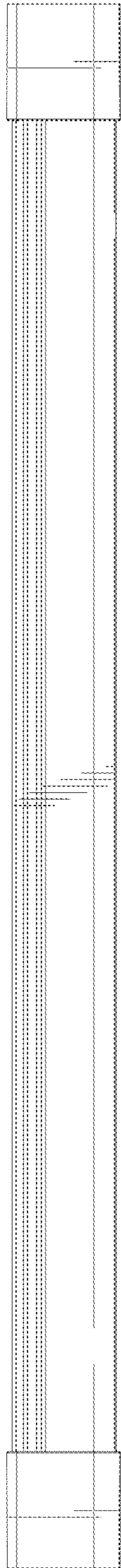


FIG.6

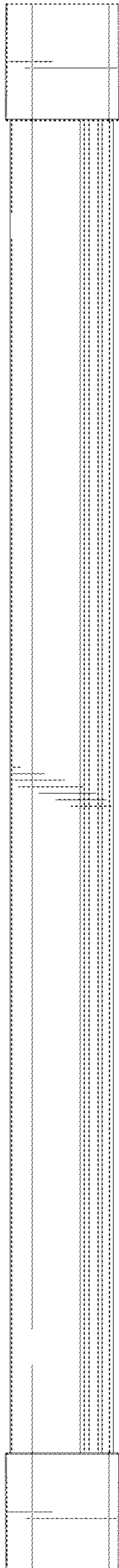


FIG. 7

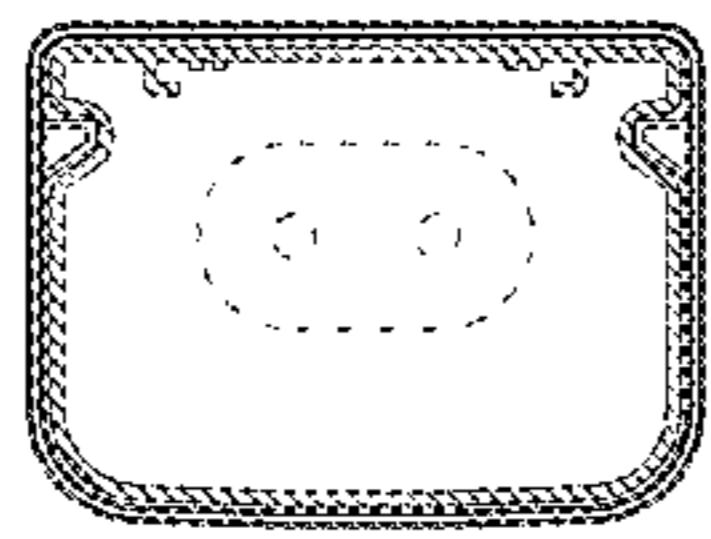


FIG. 8