



US00D965191S

(12) **United States Design Patent** (10) **Patent No.:** **US D965,191 S**  
**Hu** (45) **Date of Patent:** **\*\* Sep. 27, 2022**

(54) **SOLAR LAMP**

(71) Applicant: **Shenzhen Mingyangming Industrial Co., Ltd.**, Shenzhen (CN)

(72) Inventor: **Yueting Hu**, Shenzhen (CN)

(\*\*) Term: **15 Years**

(21) Appl. No.: **29/759,561**

(22) Filed: **Nov. 24, 2020**

(51) **LOC (13) Cl.** ..... **26-05**

(52) **U.S. Cl.**  
USPC ..... **D26/65**

(58) **Field of Classification Search**  
USPC ... D26/1, 24, 35, 44, 61, 63, 65, 66, 72, 80,  
D26/60, 76, 81, 83, 84, 93; D10/106.6,  
D10/106.8  
CPC .... F21S 8/00; F21S 8/003; F21S 8/033; F21S  
9/03; F21S 9/037; F21V 23/0471; F21V  
21/26; F21V 21/30; F21W 2131/10;  
F21W 2131/107

See application file for complete search history.

(56) **References Cited**

**U.S. PATENT DOCUMENTS**

D661,420 S *	6/2012	Liang .....	D26/63
D755,998 S *	5/2016	Wilson .....	D26/1
D804,074 S *	11/2017	Fang .....	D26/65
D882,142 S *	4/2020	Huang .....	D26/63
D914,943 S *	3/2021	Wu .....	D26/63
D921,258 S *	6/2021	Xu .....	D26/63
D921,951 S *	6/2021	Fu .....	D26/63

**FOREIGN PATENT DOCUMENTS**

CN 306544114 \* 11/2020

**OTHER PUBLICATIONS**

“1000” reference by MYM Solar on Amazon.com, date first available Jun. 15, 2021 [online], site visited Feb. 22, 2022, available

from internet URL: <https://www.amazon.com/dp/B09791R9JM/> (Year: 2021).\*

“Solar Outdoor” reference by Nacinic on Amazon.com, date first available Jul. 28, 2020 [online], site visited Feb. 22, 2022, available from internet URL: <https://www.amazon.com/dp/B08CVQZW21/> (Year: 2020).\*

(Continued)

*Primary Examiner* — Angela J Lee  
*Assistant Examiner* — Liv C Anderson

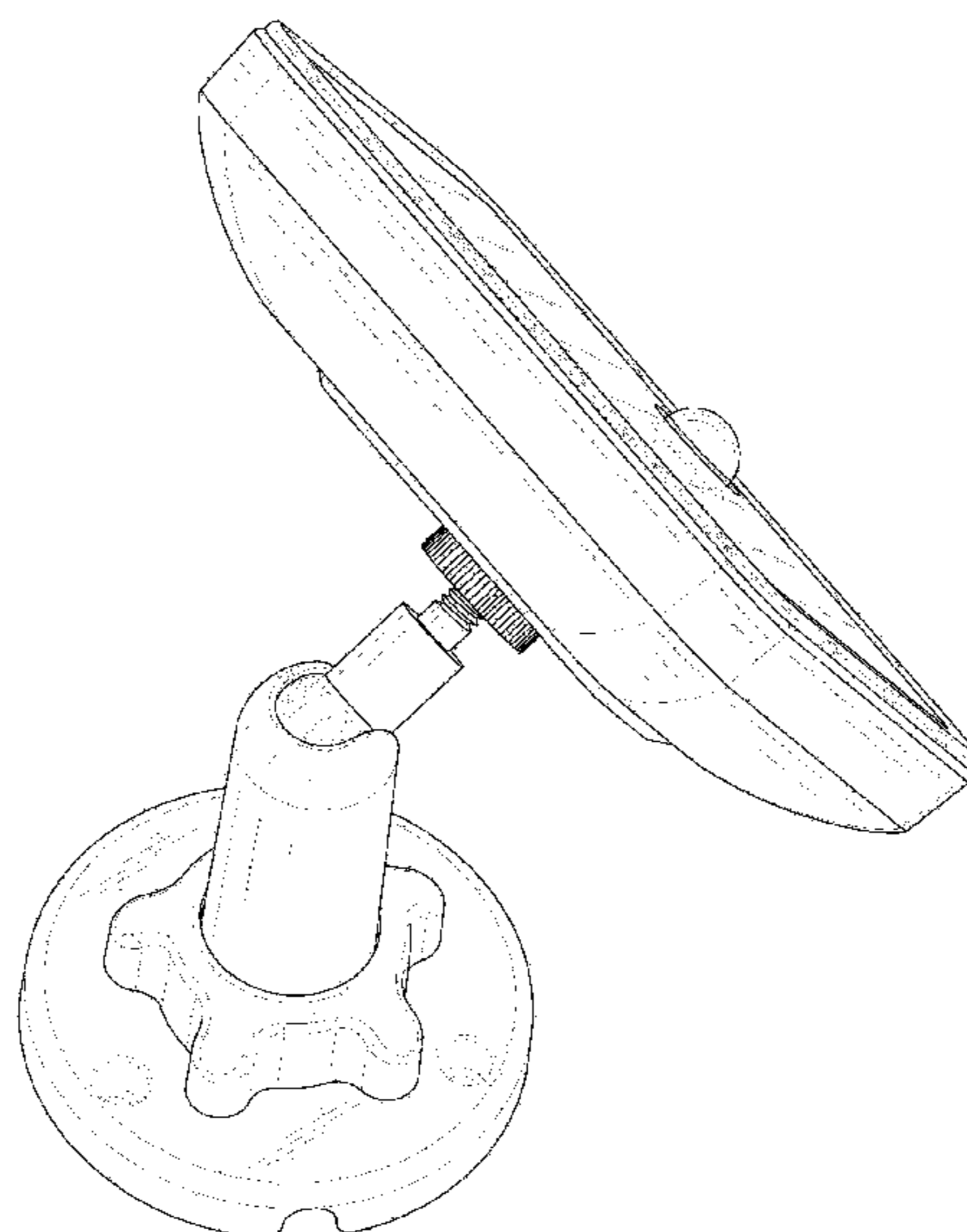
(57) **CLAIM**

The ornamental design for a solar lamp, as shown and described.

**DESCRIPTION**

FIG. 1 is a first perspective view of a solar lamp showing my new design;  
FIG. 2 is a second perspective view thereof;  
FIG. 3 is a front view thereof;  
FIG. 4 is a back view thereof;  
FIG. 5 is a left side view thereof;  
FIG. 6 is a right side view thereof;  
FIG. 7 is a top view thereof;  
FIG. 8 is a bottom view thereof;  
FIG. 9 is a perspective view of another state of the solar lamp thereof;  
FIG. 10 is a perspective view of another state of the solar lamp thereof;  
FIG. 11 is a perspective view of another state of the solar lamp thereof; and,  
FIG. 12 is an enlarged view of the selected portion in FIG. 3.  
The broken lines shown in the drawings depict portions of the solar lamp in which the design is embodied that form no part of the claimed design. The dot-dash-dot lines are for annotative purposes only and form no part of the claim thereof.

**1 Claim, 12 Drawing Sheets**



(56)

**References Cited**

OTHER PUBLICATIONS

“Solar Lights” reference by Temic SINteem on Amazon.com, date first available Apr. 3, 2020 [online], site visited Feb. 22, 2022, available on internet URL: <https://www.amazon.com/Waterproof-Induction-Spotlight-Install-Adjustable/dp/B086QSLBZS/> (Year: 2020).\*

\* cited by examiner

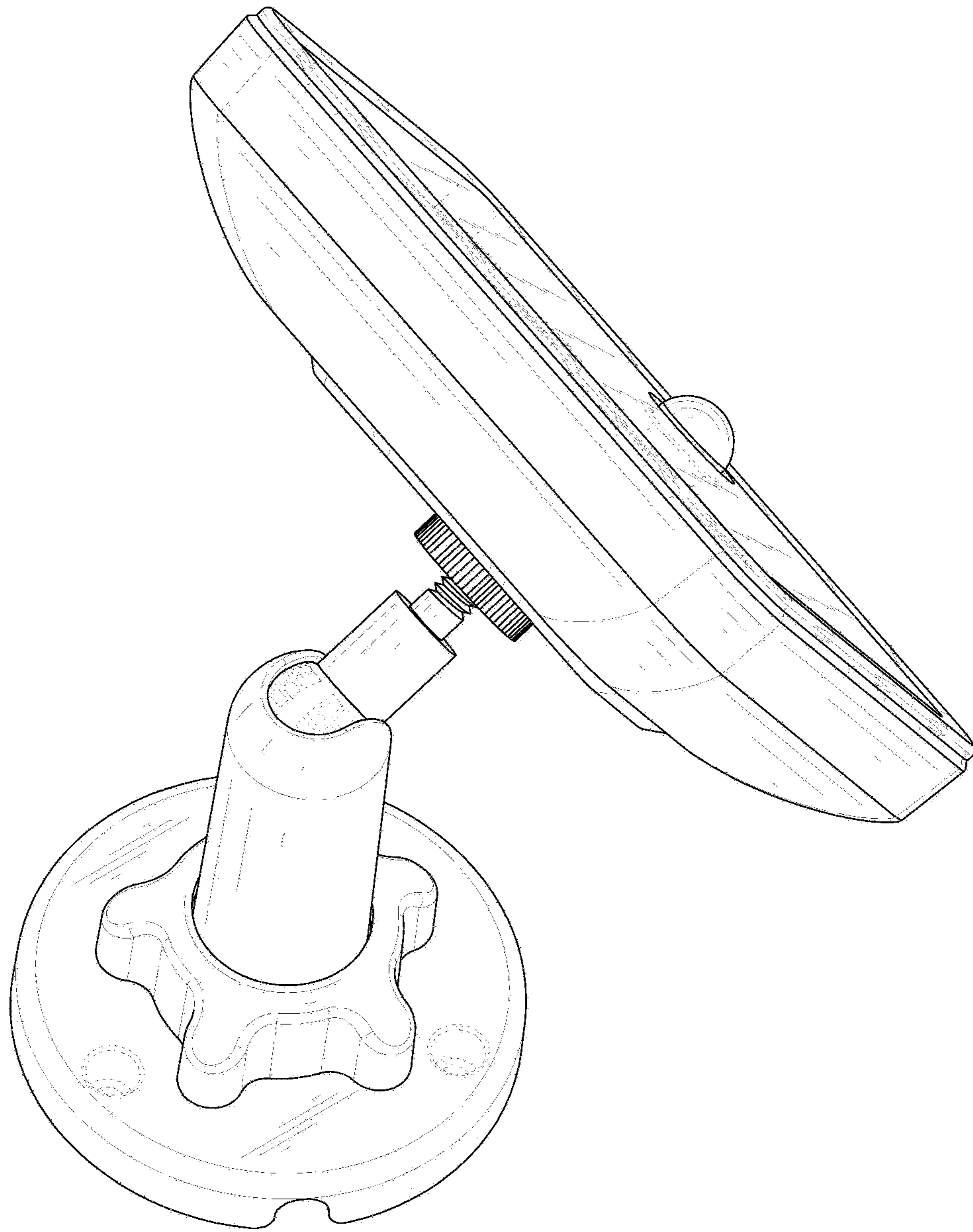


FIG. 1

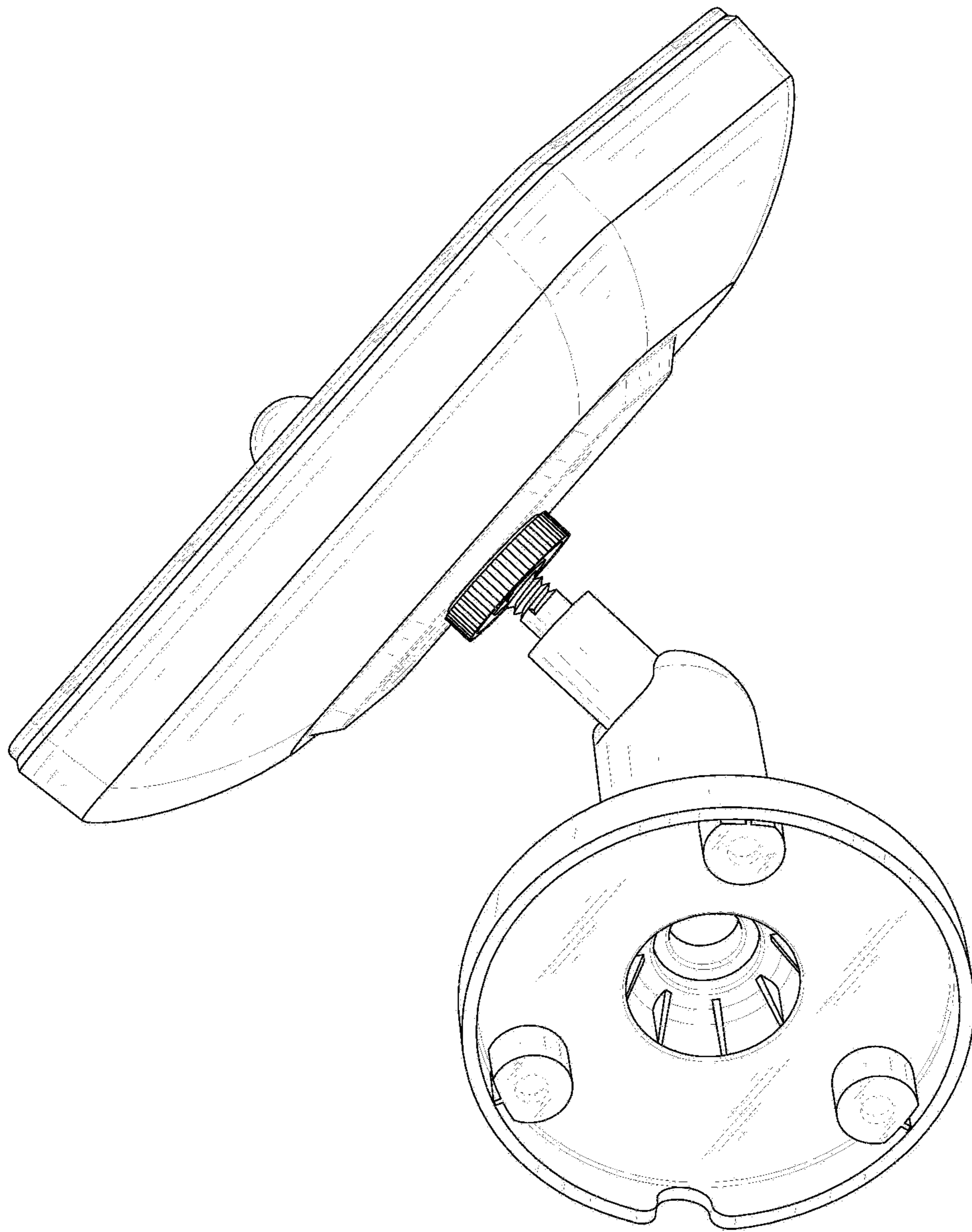


FIG. 2

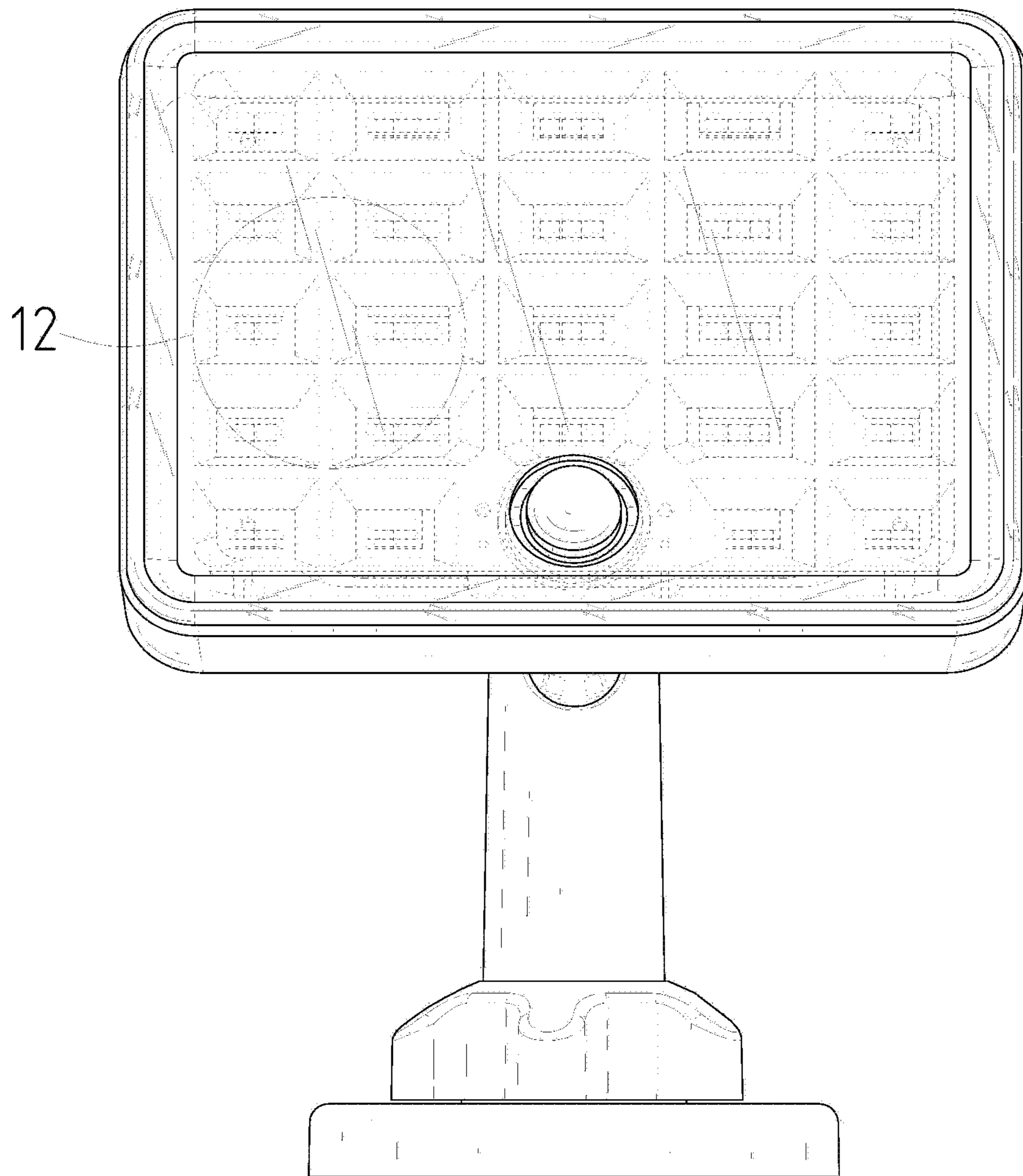


FIG. 3

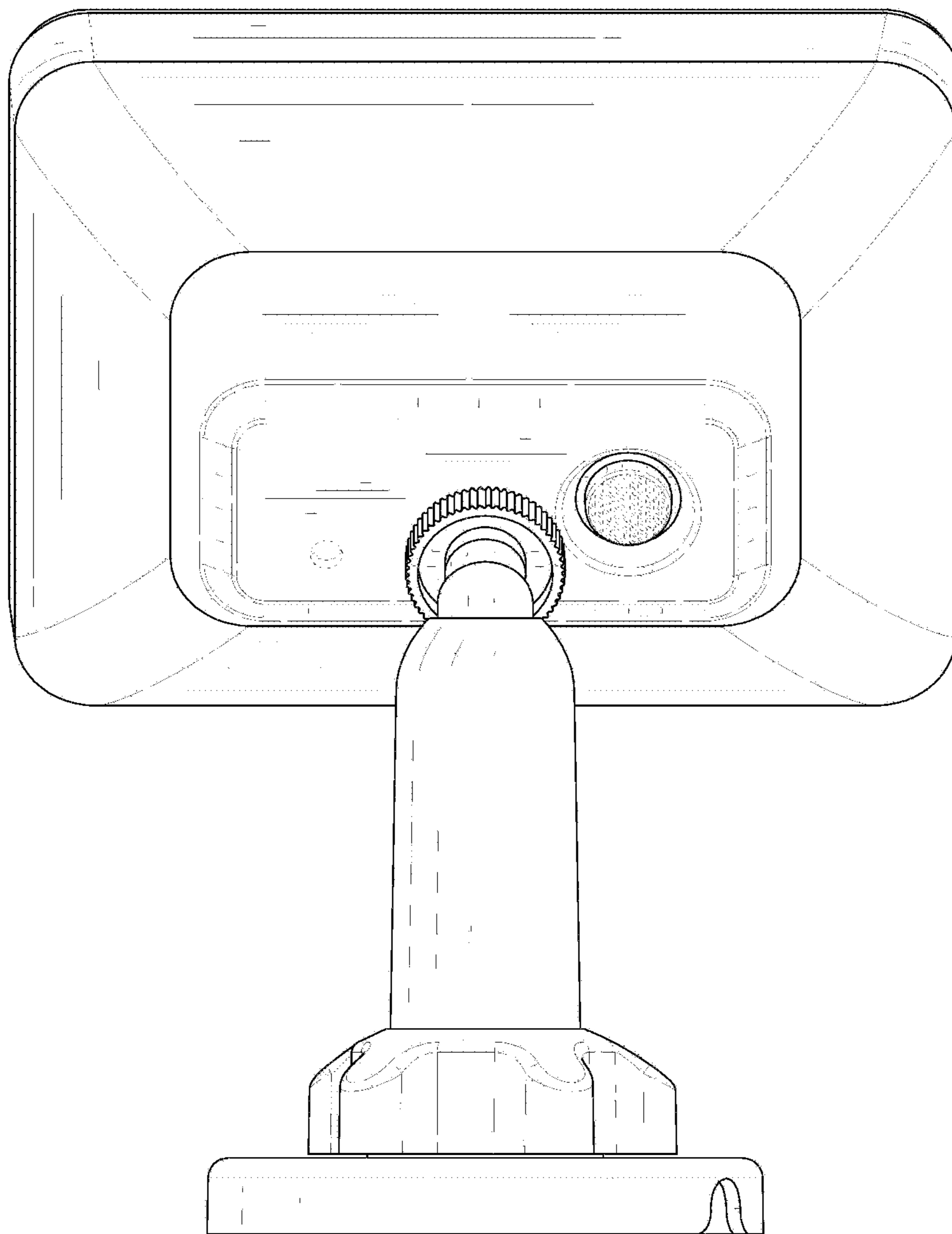


FIG. 4

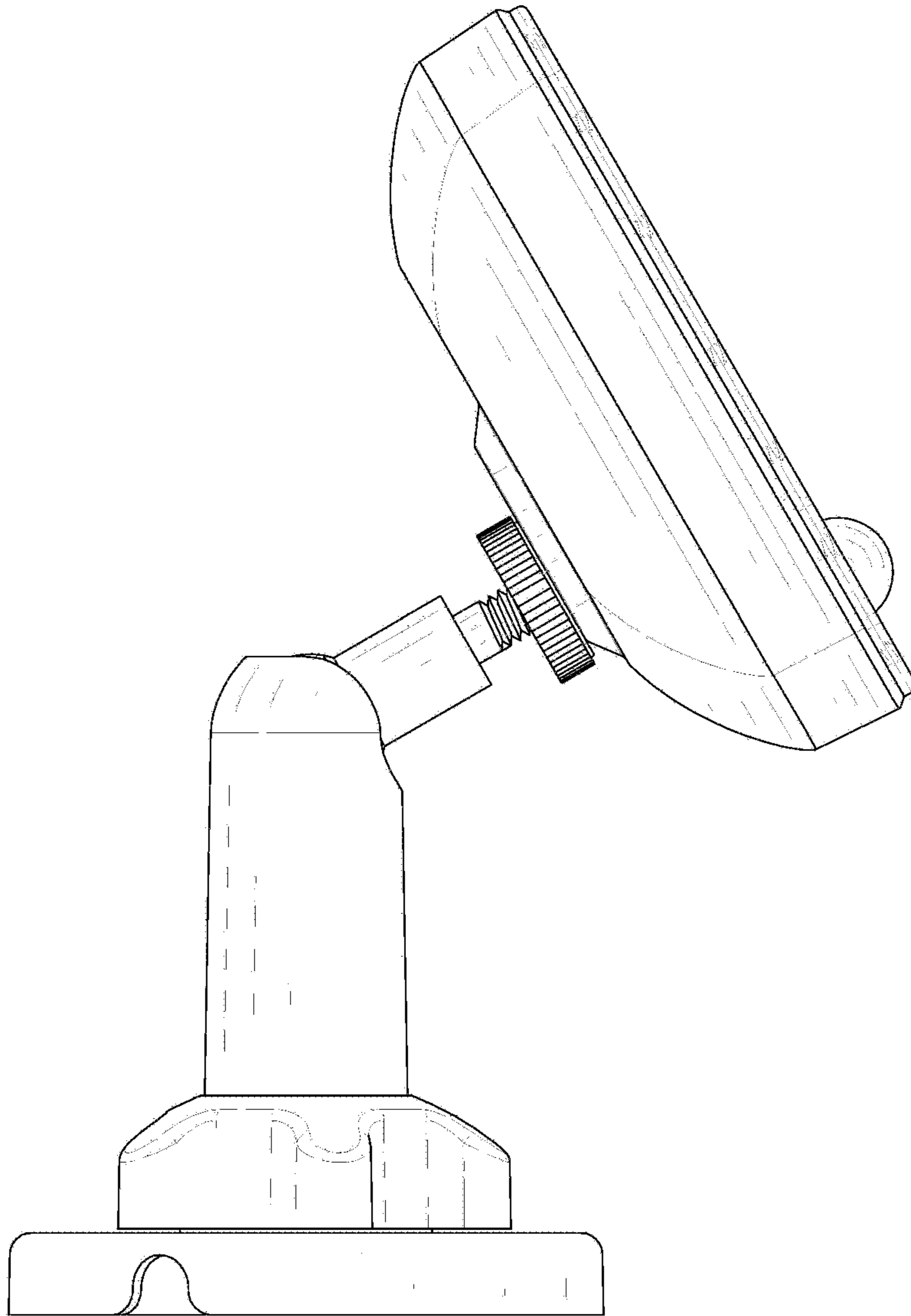


FIG. 5

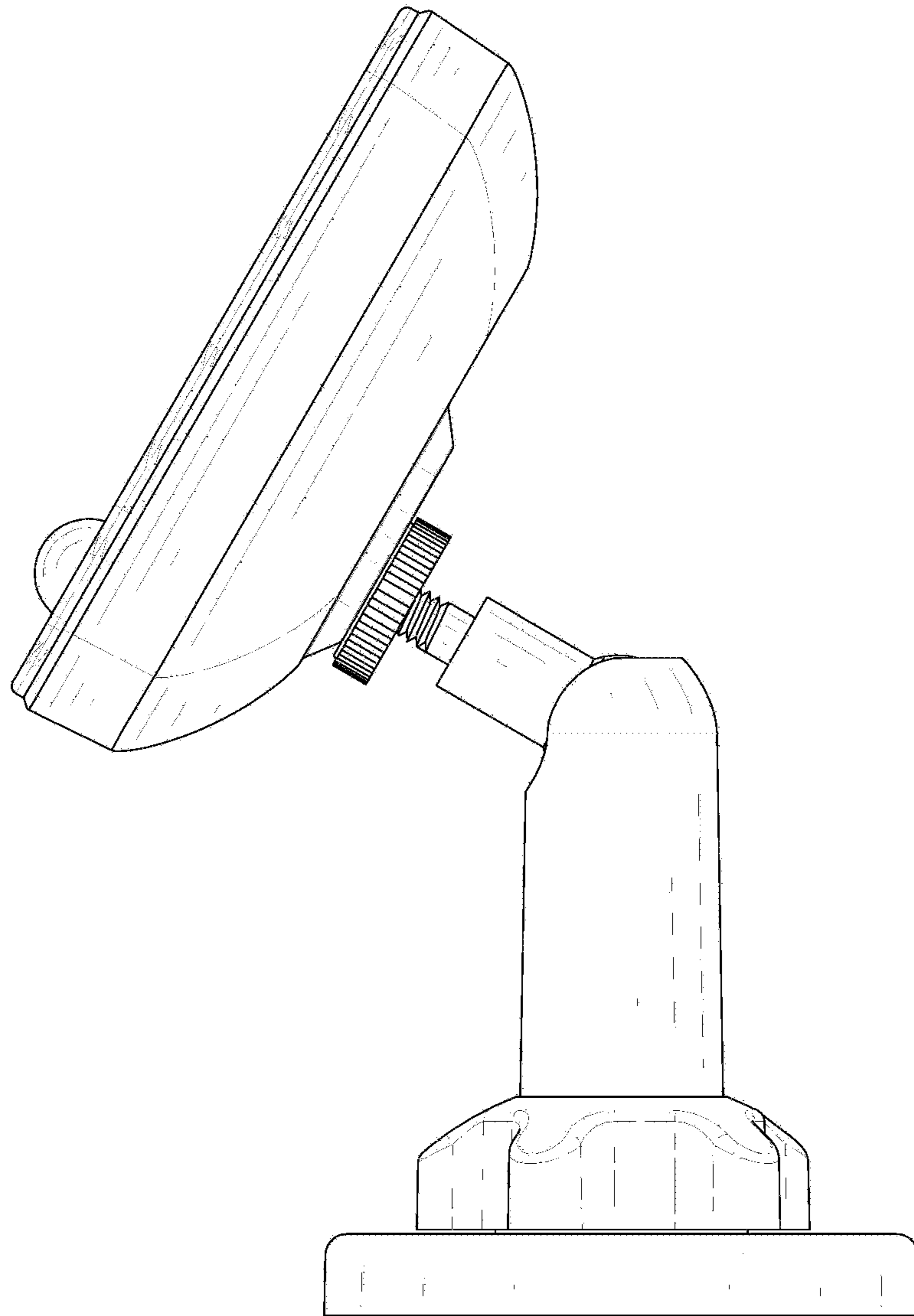


FIG. 6



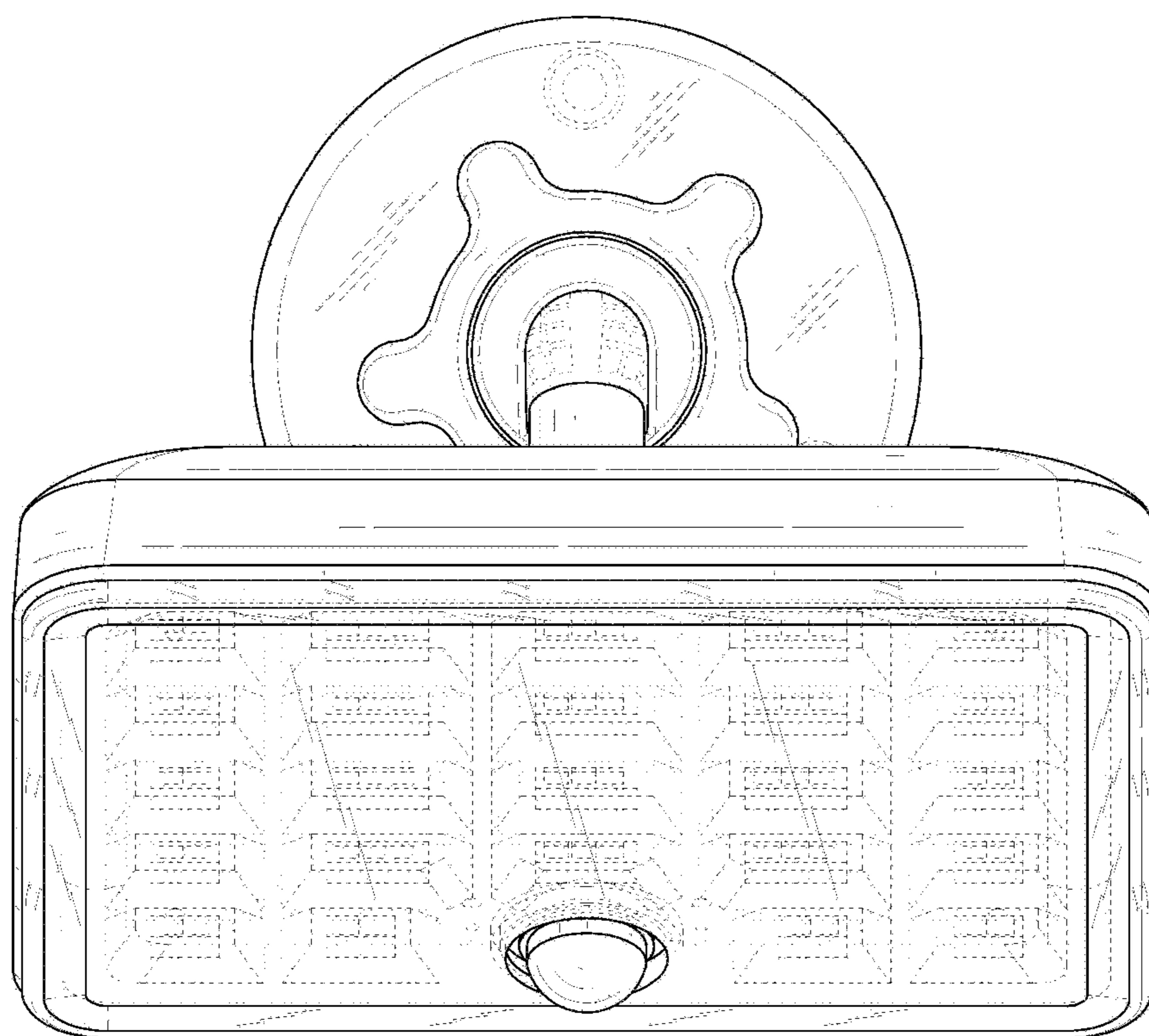


FIG. 7

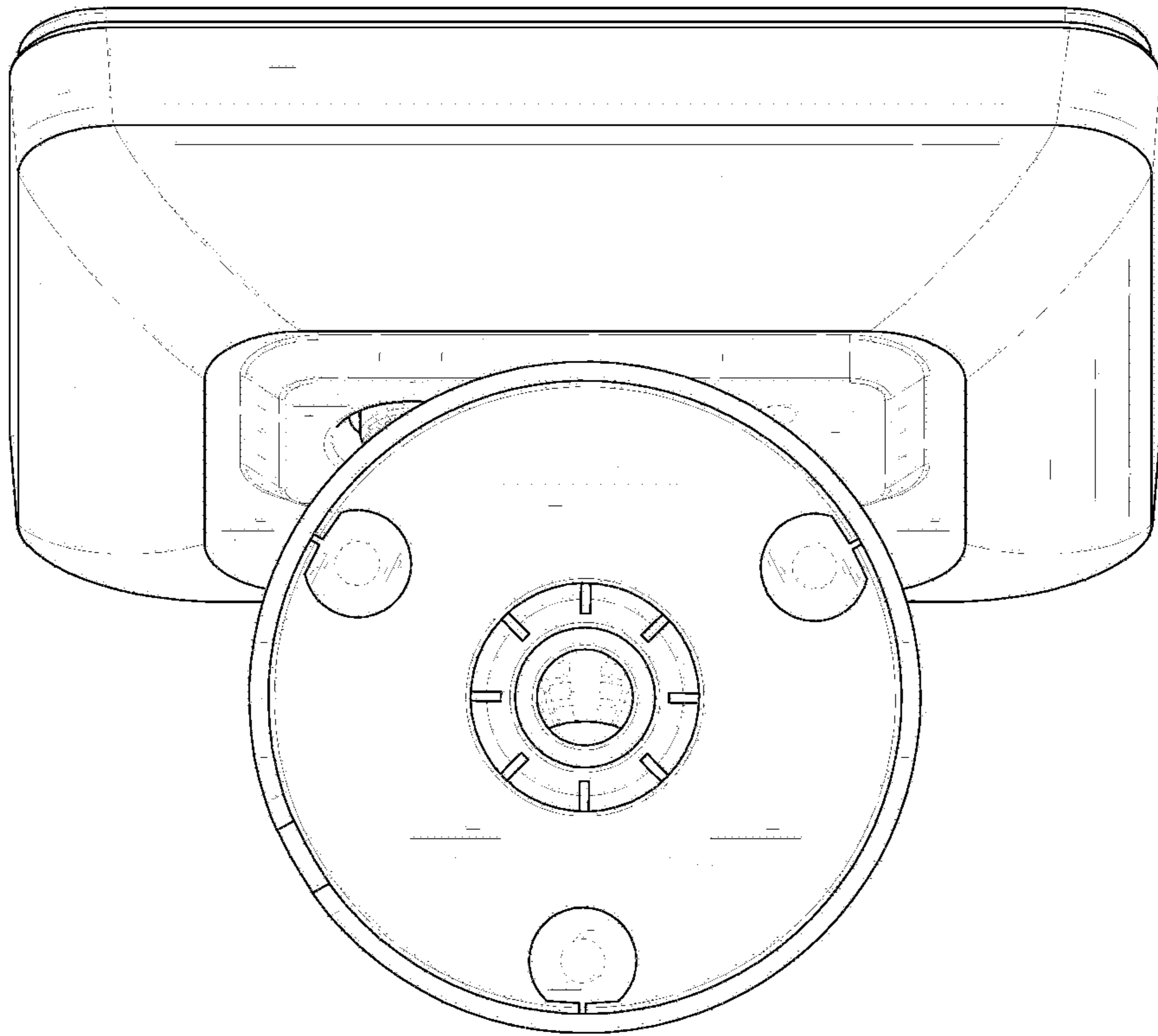


FIG. 8

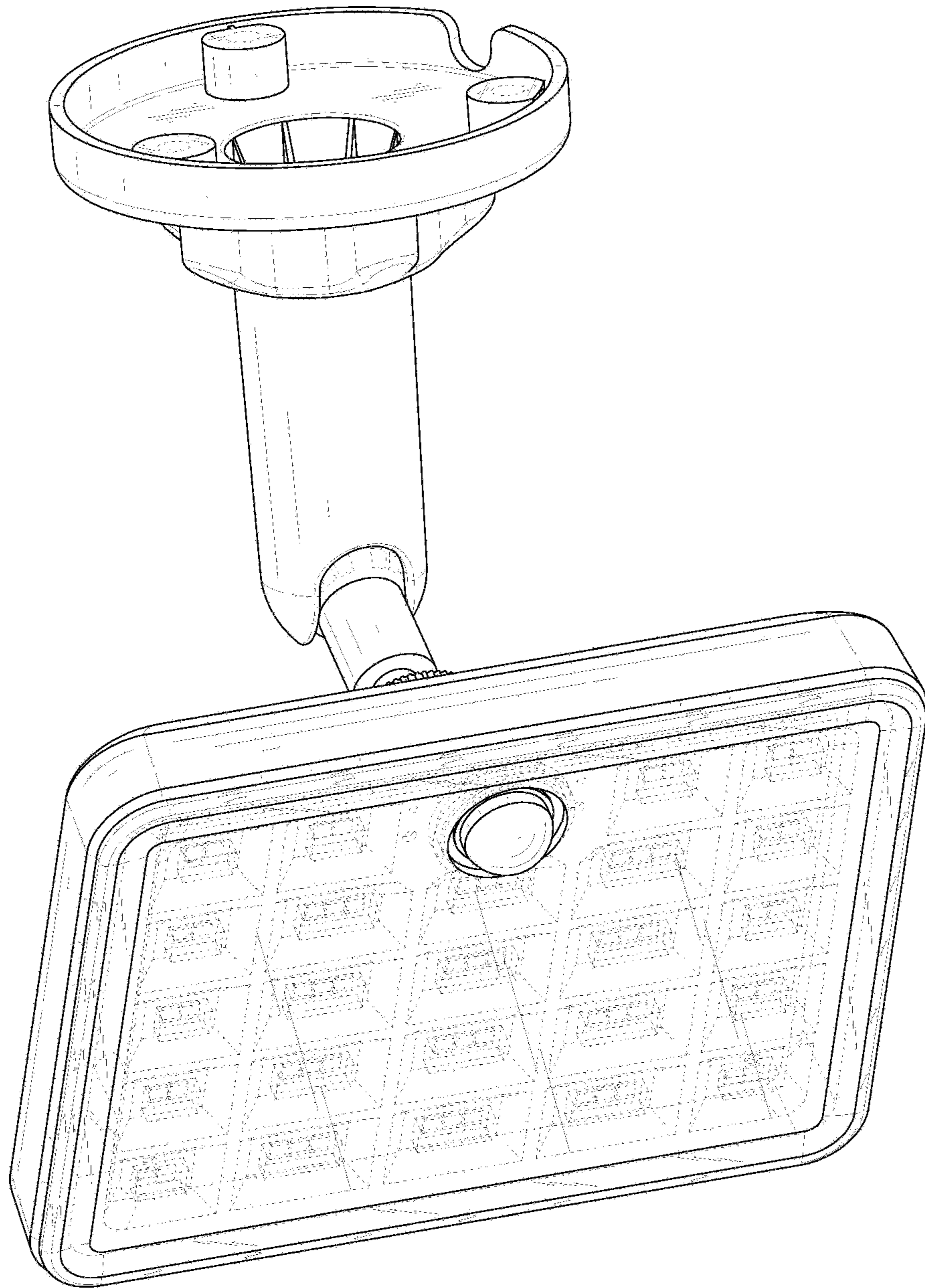


FIG. 9

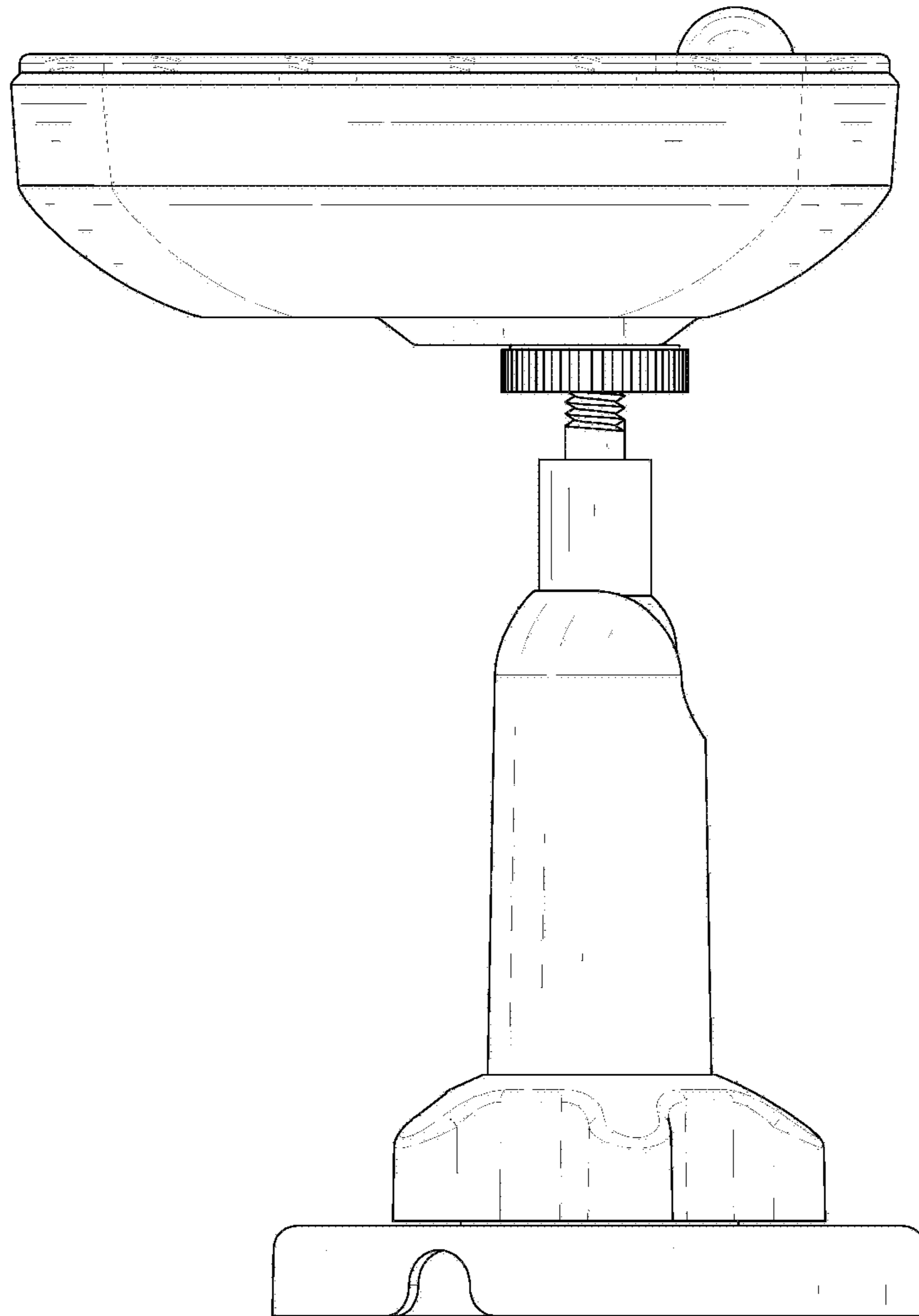


FIG. 10

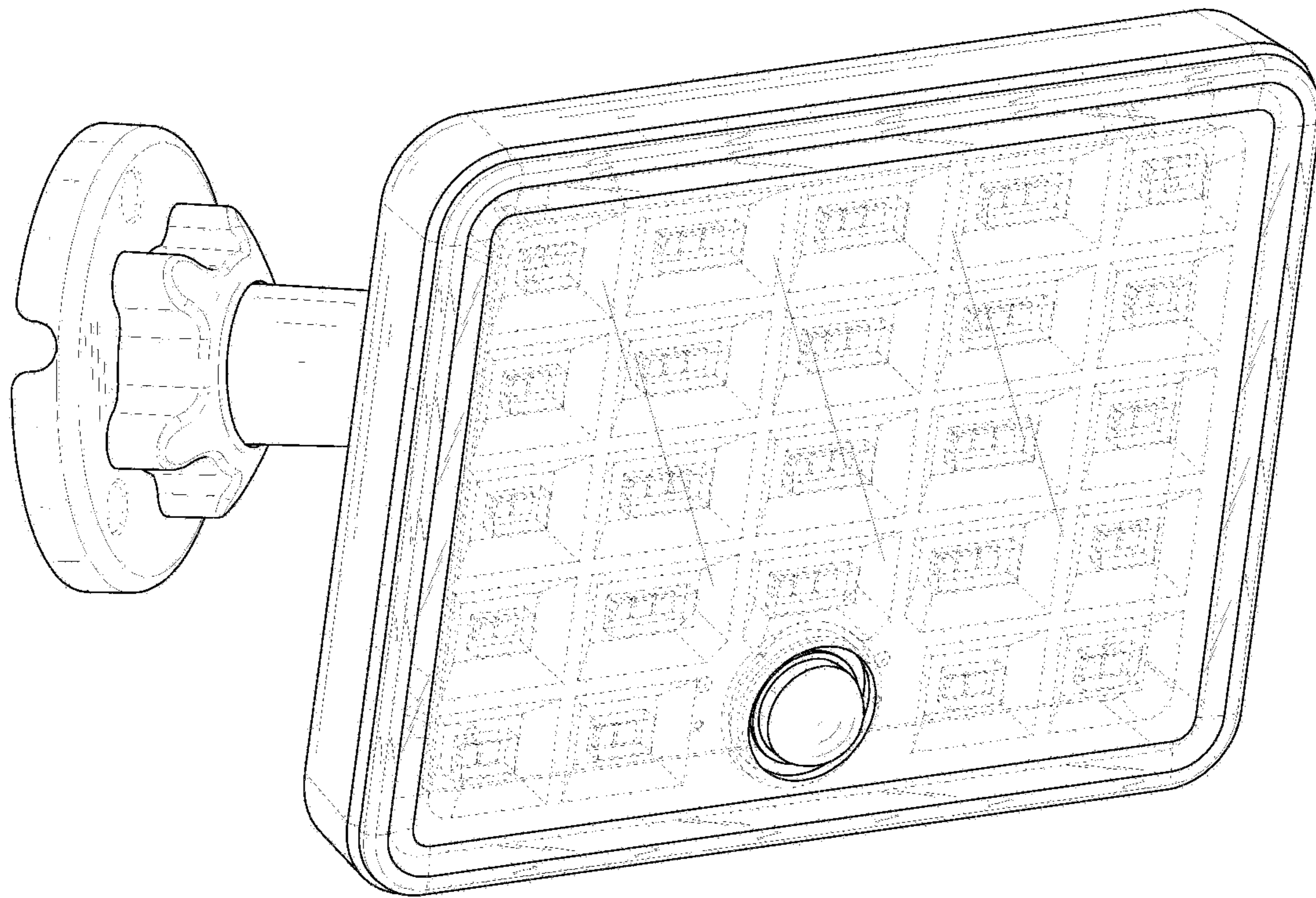


FIG. 11

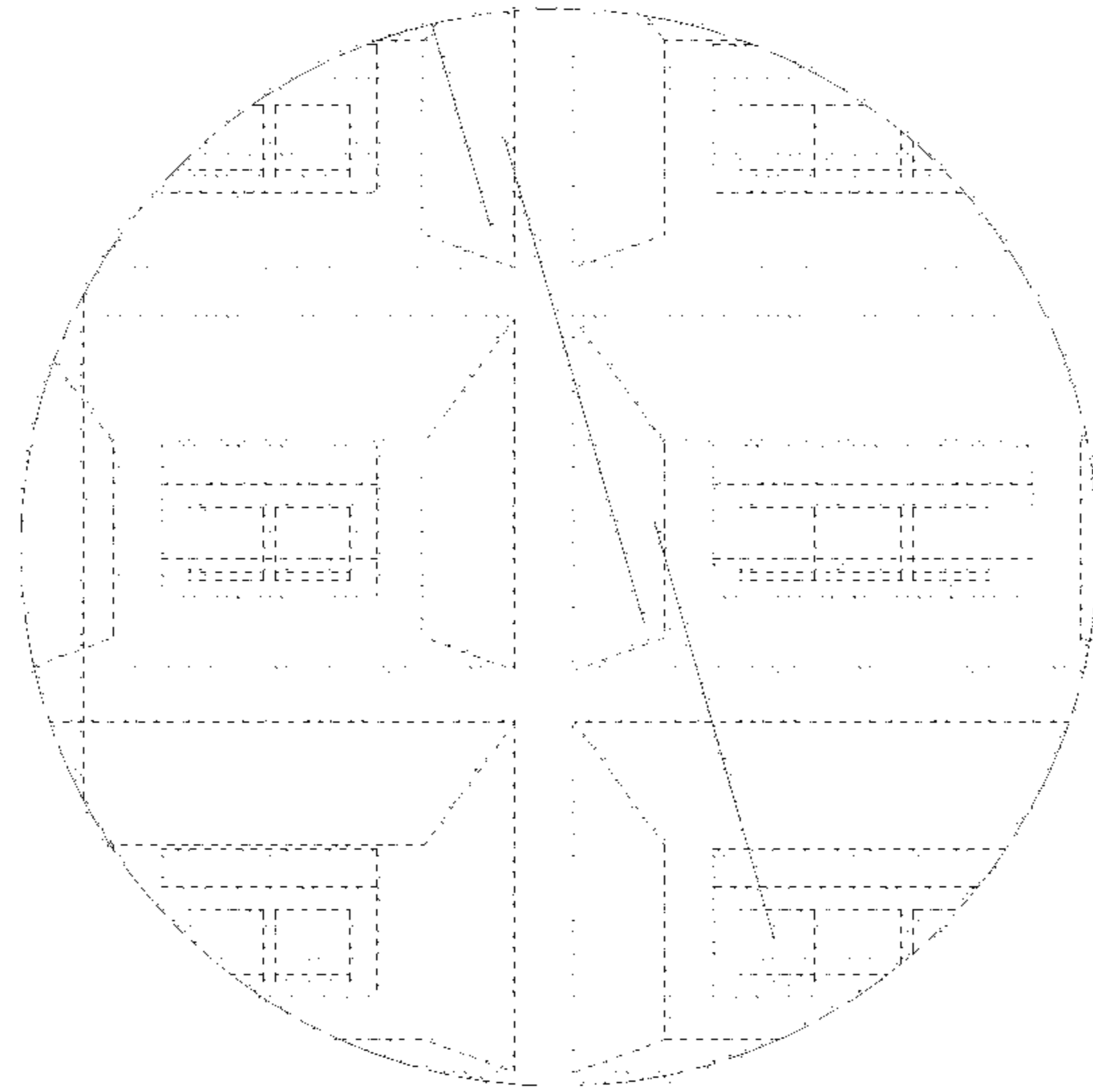


FIG. 12