



US00D965190S

(12) **United States Design Patent** (10) **Patent No.:** **US D965,190 S**  
**Zhao** (45) **Date of Patent:** **\*\* Sep. 27, 2022**

(54) **LAMP**

(71) Applicant: **Yan Zhao**, Shenzhen (CN)

(72) Inventor: **Yan Zhao**, Shenzhen (CN)

(\*\*) Term: **15 Years**

(21) Appl. No.: **29/734,000**

(22) Filed: **May 8, 2020**

(30) **Foreign Application Priority Data**

Nov. 9, 2019 (CN) ..... 201930616582.X

(51) **LOC (13) Cl.** ..... **26-05**

(52) **U.S. Cl.**  
USPC ..... **D26/65**

(58) **Field of Classification Search**

USPC ... D26/1, 24, 35, 44, 60, 61, 63, 65, 66, 72,  
D26/76, 80, 81, 83, 84, 93

CPC .... F21Y 2107/00; F21Y 2105/16; F21V 3/02;  
F21V 21/30; F21V 14/02; F21V 17/164;  
F21V 11/18; F21V 11/183

See application file for complete search history.

(56) **References Cited**

**U.S. PATENT DOCUMENTS**

D704,370 S *	5/2014	Su	.....	D26/72
D761,486 S *	7/2016	Afshar	.....	D26/121
D825,811 S *	8/2018	Clark	.....	D26/80
D883,550 S *	5/2020	Deng	.....	D26/63
D884,952 S *	5/2020	Cao	.....	D26/63
D885,629 S *	5/2020	Liu	.....	D26/63
D885,630 S *	5/2020	Lin	.....	D26/63
D886,353 S *	6/2020	Du	.....	D26/63
D887,610 S *	6/2020	Wei	.....	D26/63
D889,015 S *	6/2020	Li	.....	D26/63
D907,829 S *	1/2021	Rajasekaran	.....	D26/63
D917,089 S *	4/2021	Rajasekaran	.....	F21K 9/232
				D26/63
D919,154 S *	5/2021	Zhou	.....	D26/63

D919,869 S *	5/2021	Yang	.....	D26/63
D923,228 S *	6/2021	Ye	.....	D26/63
D925,085 S *	7/2021	Yan	.....	D26/63
D925,086 S *	7/2021	Ma	.....	D26/63
D935,671 S *	11/2021	Deng	.....	D26/63

(Continued)

**FOREIGN PATENT DOCUMENTS**

CN 306827436 \* 9/2021

**OTHER PUBLICATIONS**

“Garage Light, LED Garage Lights, 140W 18500LM...” reference by Tiger Zhong on in Amazon.com, date first available Jan. 27, 2021[online], [site visited Dec. 7, 2021], available from internet URL: [https://www.amazon.com/dp/B09LH6V122/ref=cm\\_sw\\_em\\_r\\_mt\\_dp\\_NSA7C7S8P32VJDPJY3FS](https://www.amazon.com/dp/B09LH6V122/ref=cm_sw_em_r_mt_dp_NSA7C7S8P32VJDPJY3FS) (Year: 2021).\*

(Continued)

*Primary Examiner* — Marissa J Cash  
*Assistant Examiner* — Liv C Anderson

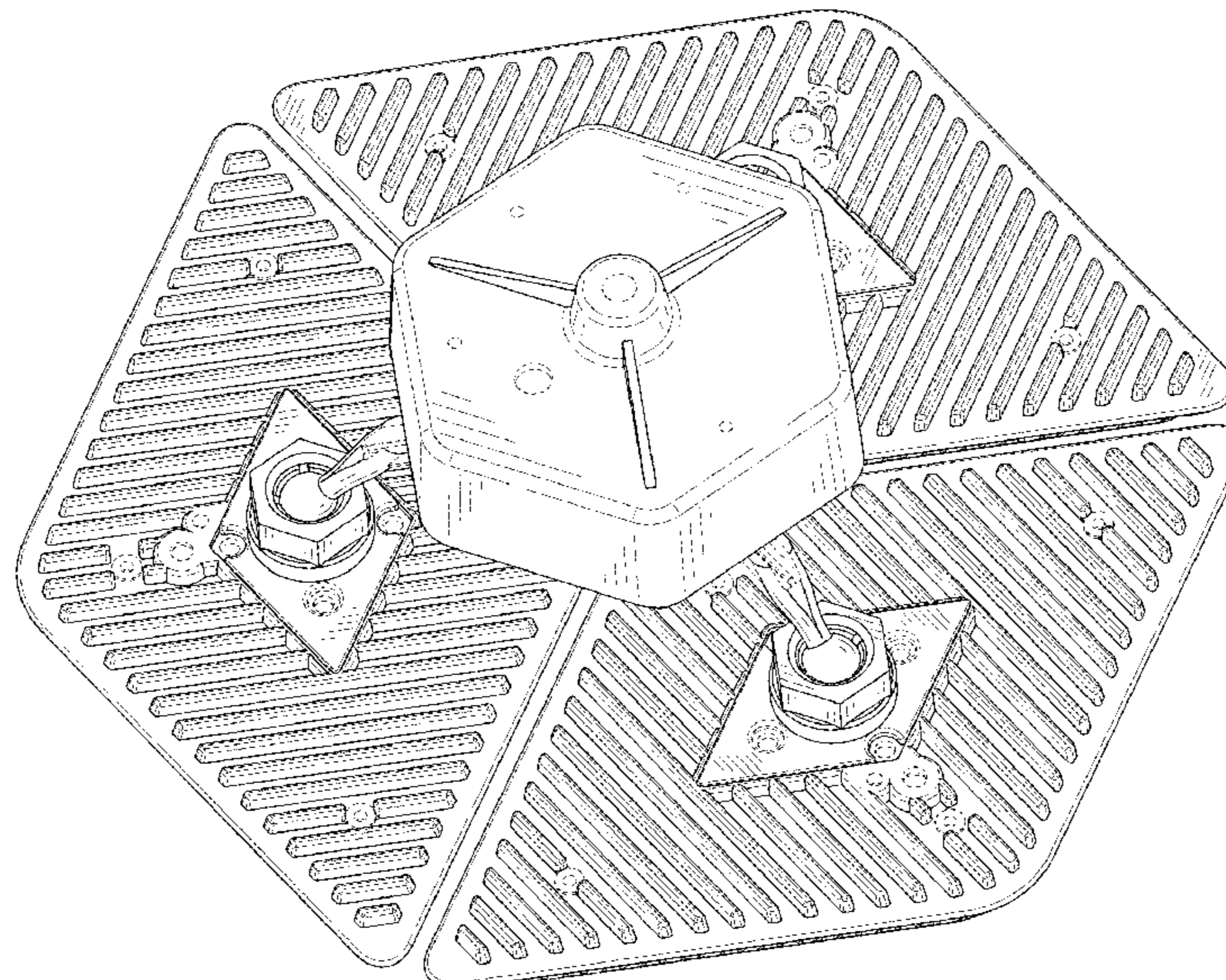
(57) **CLAIM**

The ornamental design for a lamp, as shown and described.

**DESCRIPTION**

FIG. 1 is a first perspective view of a lamp showing my new design;  
FIG. 2 is a second perspective view thereof;  
FIG. 3 is a front view thereof;  
FIG. 4 is a back view thereof;  
FIG. 5 is a left side view thereof;  
FIG. 6 is a right side view thereof;  
FIG. 7 is a top view thereof; and,  
FIG. 8 is a bottom view thereof.  
The broken lines shown in the drawings depict portions of the lamp in which the design is embodied that form no part of the claimed design.

**1 Claim, 8 Drawing Sheets**



(56)

**References Cited**

U.S. PATENT DOCUMENTS

D935,672 S \* 11/2021 Deng ..... D26/63  
2021/0262635 A1 \* 8/2021 Li ..... F21V 29/83

OTHER PUBLICATIONS

“Luxrite LED Garage Light 80W, 8000 Lumens . . . ” reference by Bulbs“n”More on Amazon.com, date first available May 7, 2021 [online], [site visited Dec. 7, 2021], available from internet URL: [https://www.amazon.com/dp/B094DQR61C/ref=cm\\_sw\\_em\\_r\\_mt\\_dp\\_CC2RKVJ0ACKM6AX6P3DV](https://www.amazon.com/dp/B094DQR61C/ref=cm_sw_em_r_mt_dp_CC2RKVJ0ACKM6AX6P3DV) (Year: 2021).\*

“LED Garage Lights, 140W 18500 Lumens . . . ” reference by kernowo-qin on Amazon.com, date first available Jul. 13, 2020 [online], site visited Dec. 7, 2021], available from internet URL: [https://www.amazon.com/Lighting-Daylight-Deformable-Basement-Warehouse/dp/B0897JC95G/ref=psdc\\_5772194011\\_t1\\_B094DQR61C](https://www.amazon.com/Lighting-Daylight-Deformable-Basement-Warehouse/dp/B0897JC95G/ref=psdc_5772194011_t1_B094DQR61C) (Year: 2020).\*

“Garage Light, LED Lights for Garage 140W . . . ” reference by TeSecu US on Amazon.com, date first available Nov. 17, 2020 [online], site visited Dec. 7, 2021], available from internet URL: [https://www.amazon.com/dp/B08NP1WKWD/ref=cm\\_sw\\_em\\_r\\_mt\\_dp\\_4PYMNV00XBW867ME2VZC?\\_encoding=UTF8&psc=1](https://www.amazon.com/dp/B08NP1WKWD/ref=cm_sw_em_r_mt_dp_4PYMNV00XBW867ME2VZC?_encoding=UTF8&psc=1) (Year: 2020).\*

\* cited by examiner

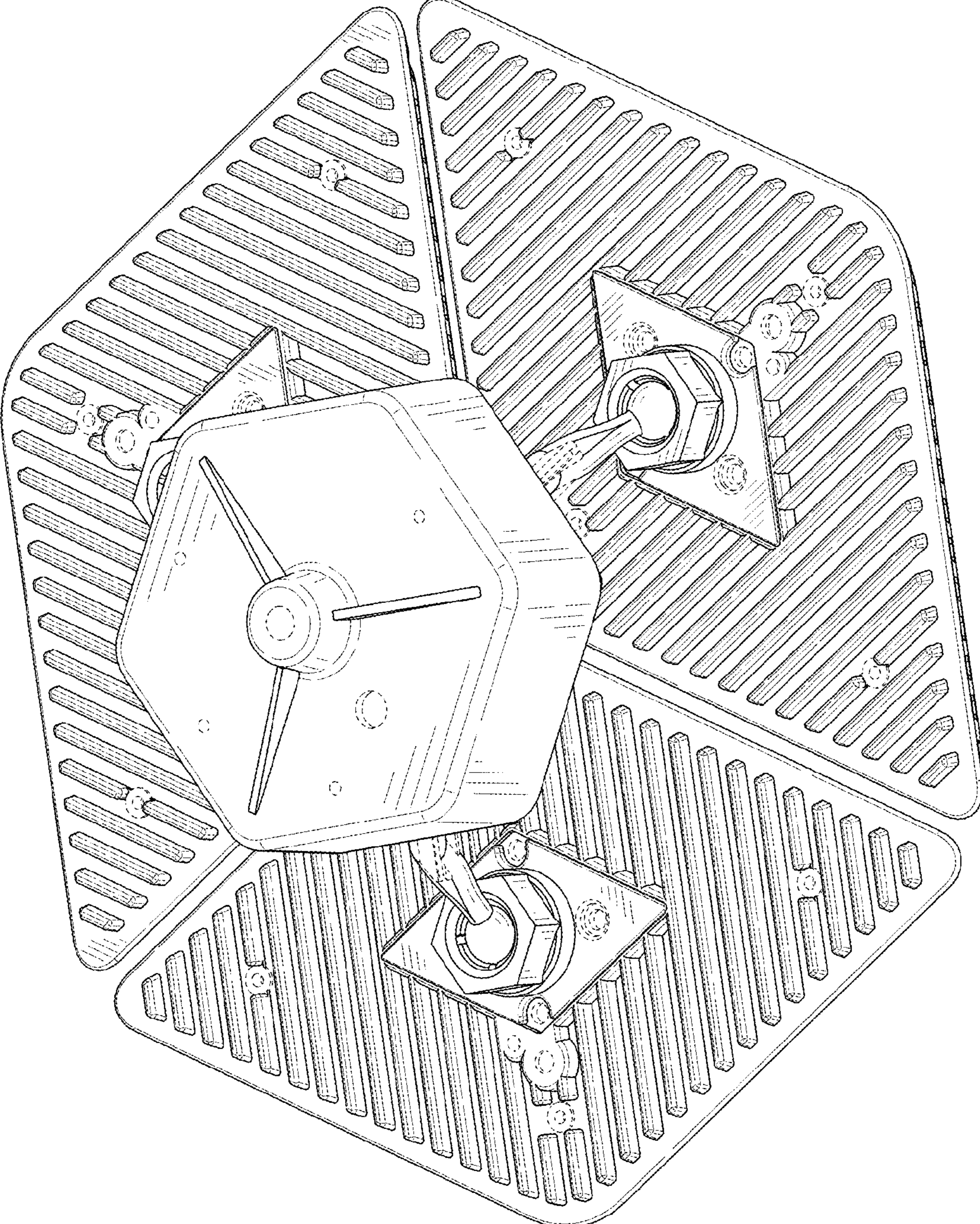


FIG. 1

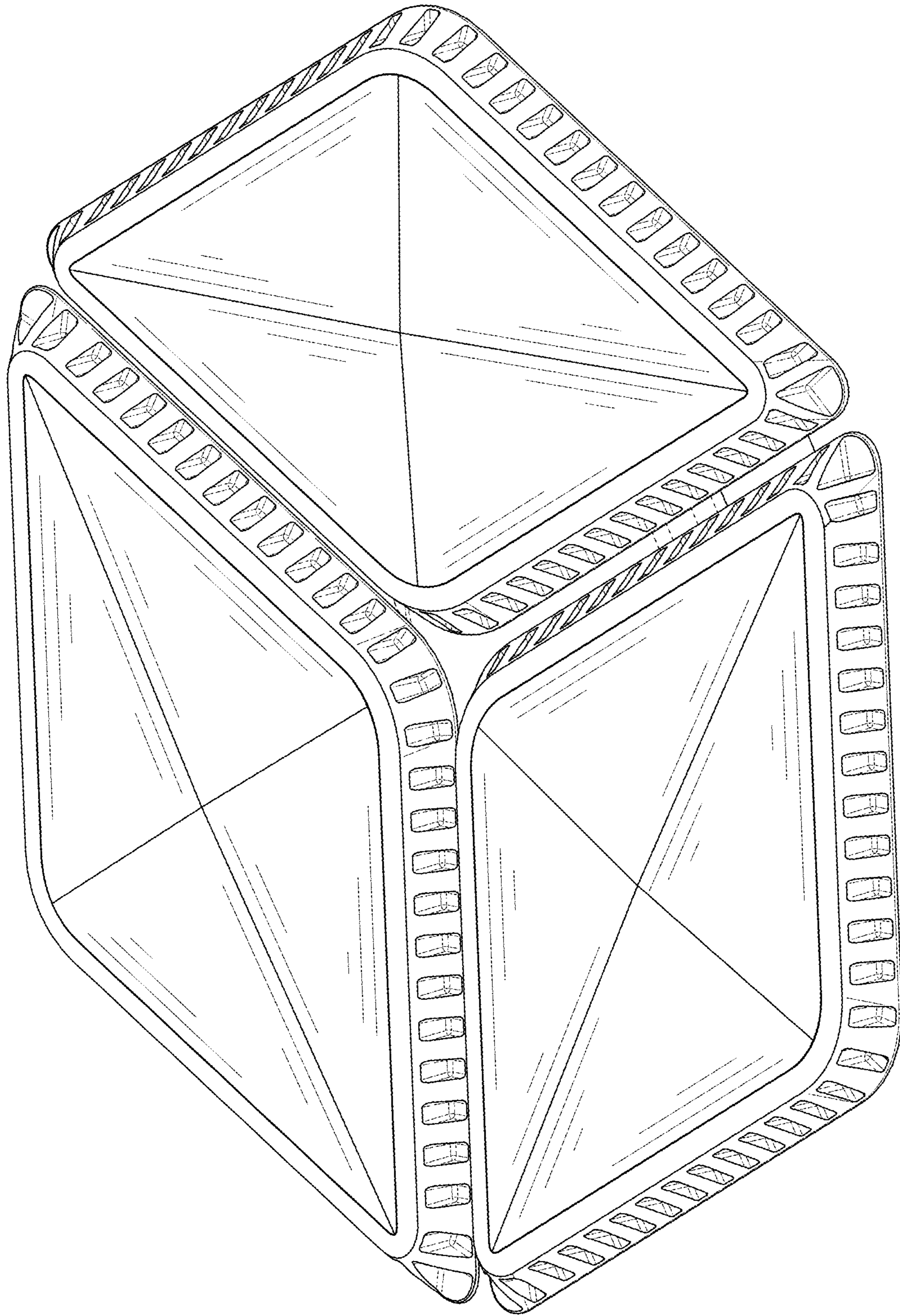


FIG. 2

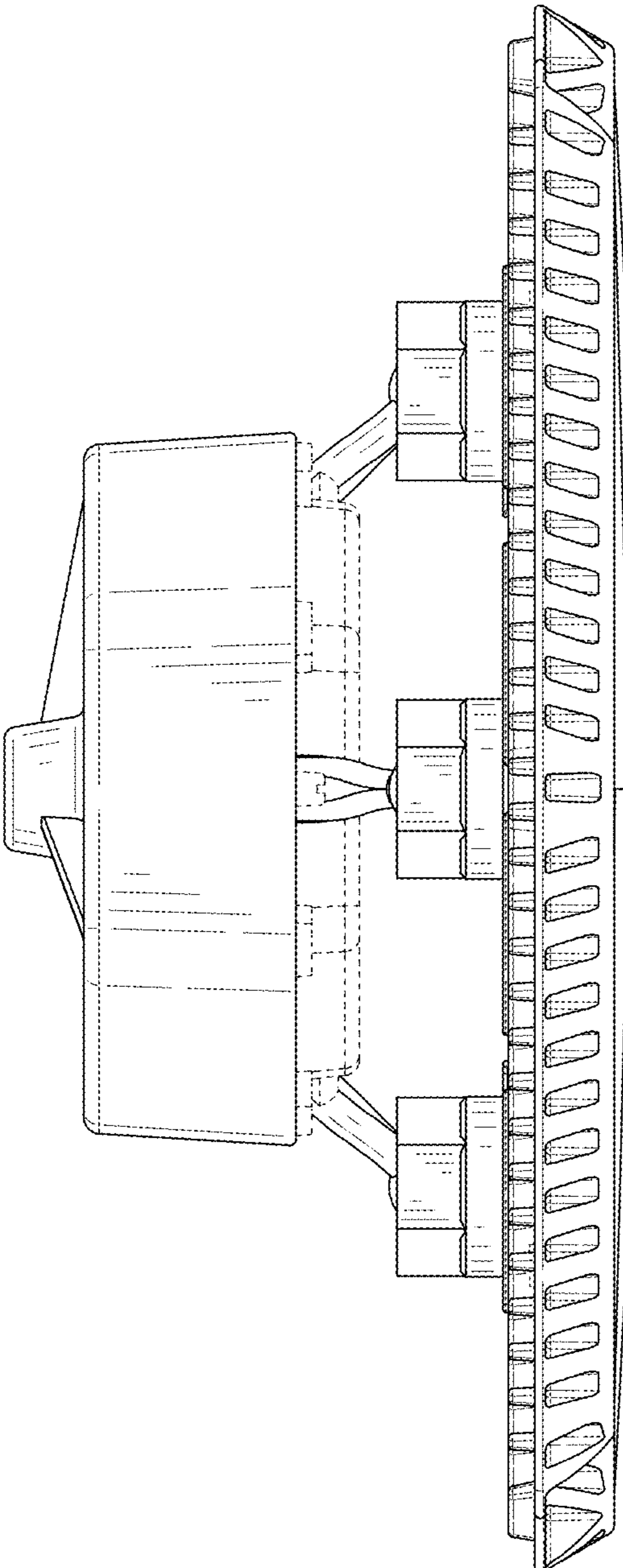


FIG. 3

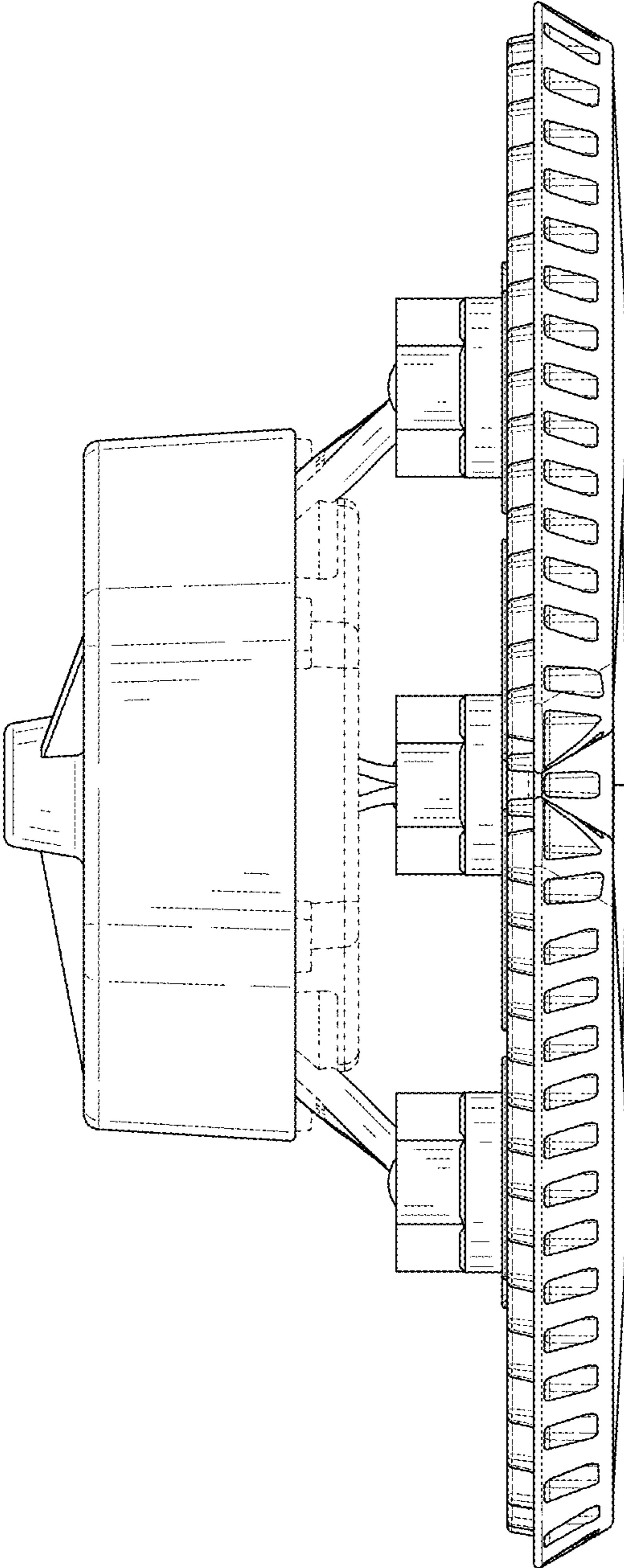


FIG. 4

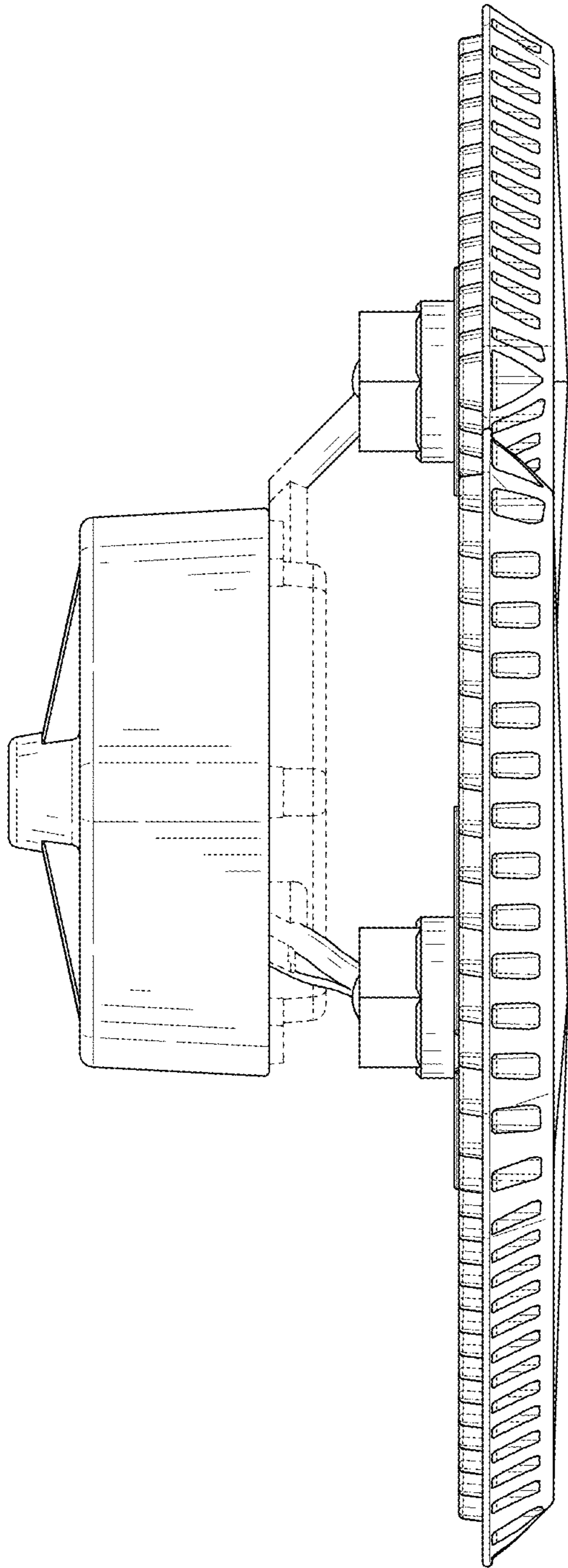


FIG. 5

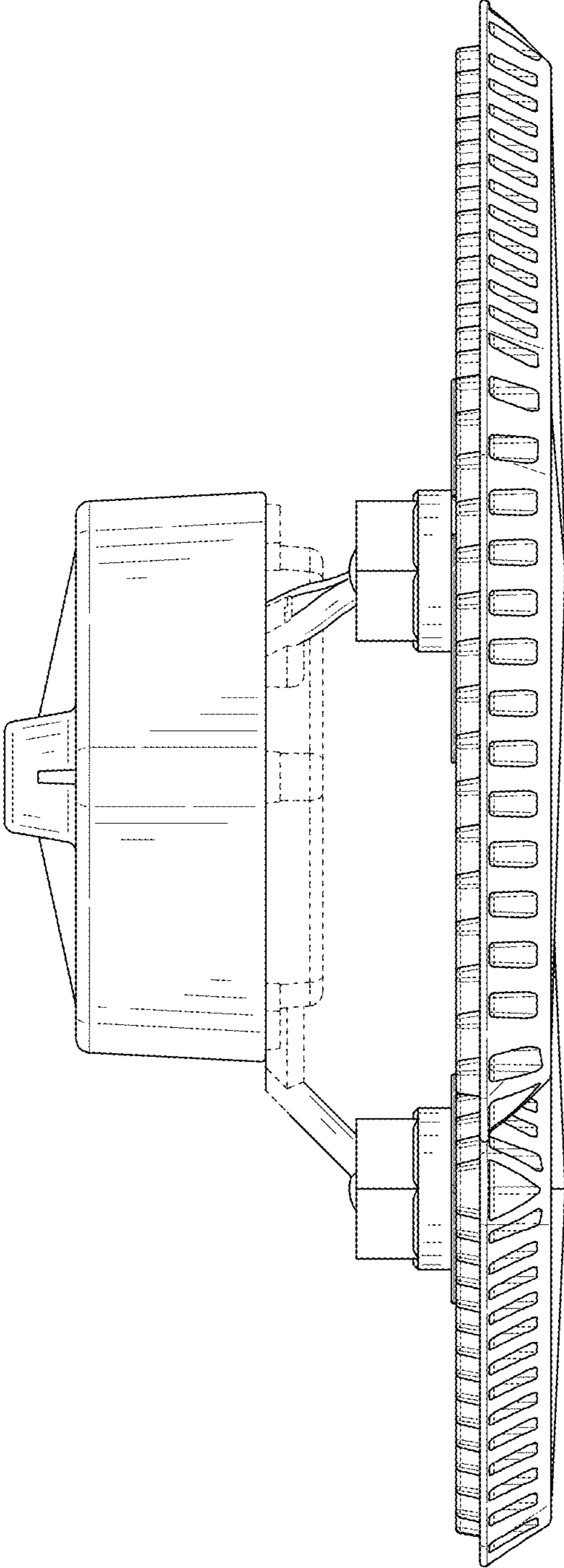


FIG. 6



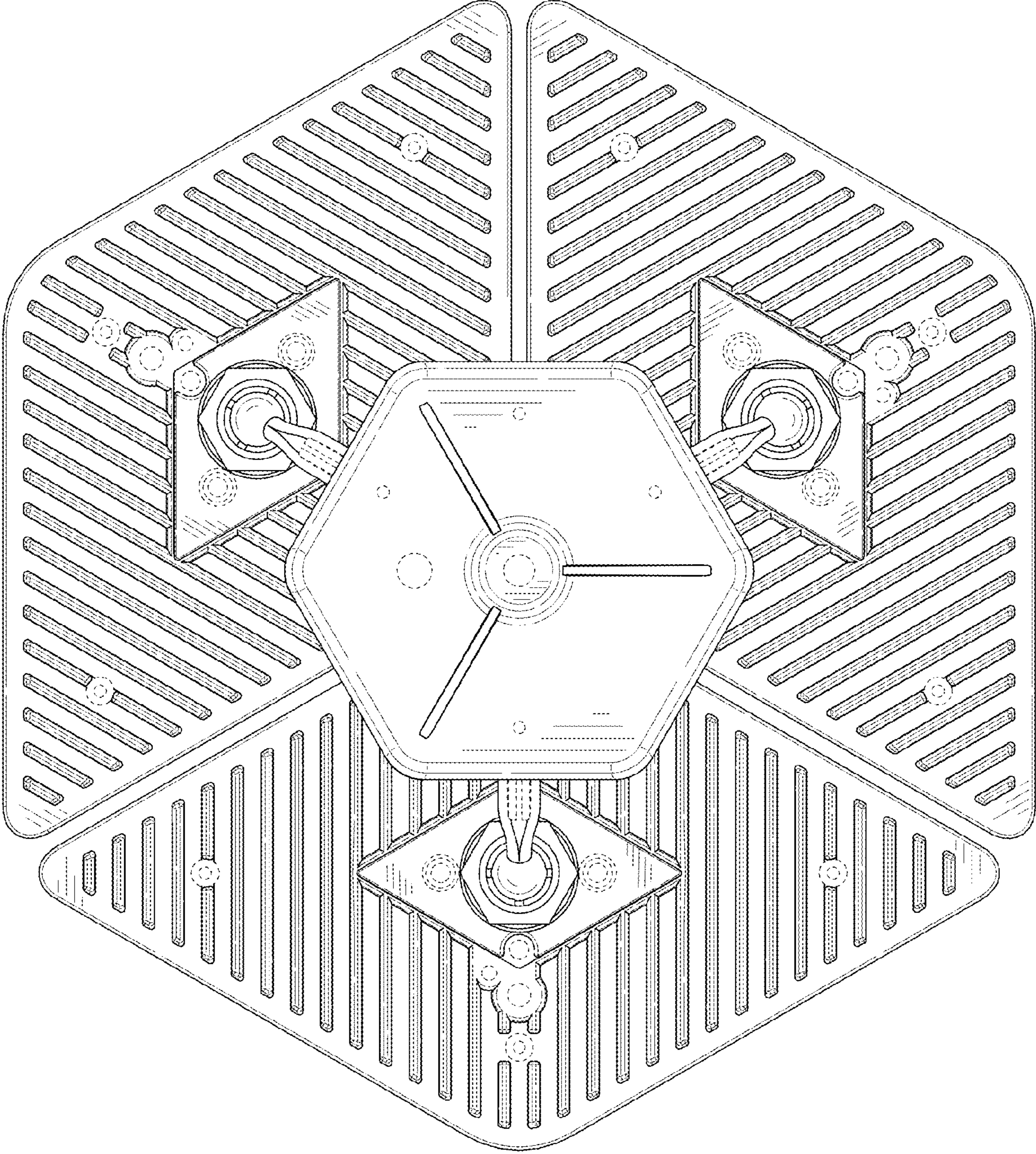


FIG. 7

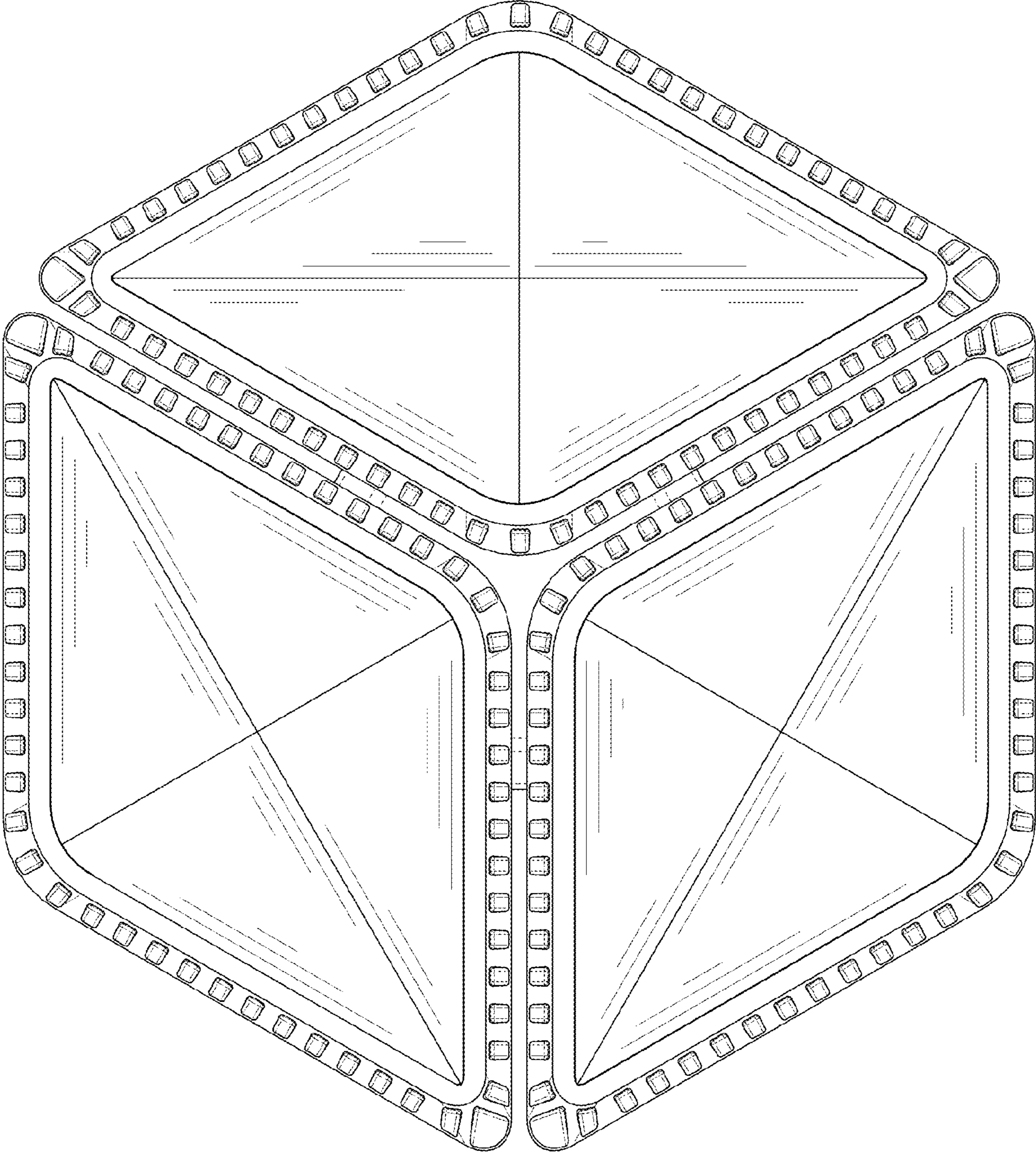


FIG. 8