



US00D965189S

(12) **United States Design Patent** (10) **Patent No.:** **US D965,189 S**
Liao (45) **Date of Patent:** **** Sep. 27, 2022**

(54) **SOLAR LIGHT**
(71) Applicant: **Shenghui Liao**, Jingzhou (CN)
(72) Inventor: **Shenghui Liao**, Jingzhou (CN)
(**) Term: **15 Years**
(21) Appl. No.: **29/762,062**
(22) Filed: **Dec. 15, 2020**
(51) **LOC (13) Cl.** **26-05**
(52) **U.S. Cl.**
USPC **D26/63; D26/120; D26/65**
(58) **Field of Classification Search**
USPC D26/24, 51, 61, 63, 65, 67, 72, 80, 81,
D26/83, 92, 100, 120; D16/203
CPC F21S 8/00; F21S 8/04; F21S 8/003; F21S
8/033; F21S 9/00; F21S 9/02; F21S
9/022; F21S 9/03; F21S 9/032; F21S
9/035; F21S 9/037; F21W 2131/10;
F21W 2131/20; F21W 2131/101; F21W
2131/107; F21W 2131/402; F21W
2131/1005; F21V 21/00; F21V 21/02;
F21V 21/10; F21V 21/14; F21V 21/26;
F21V 21/30; F21V 14/02; F21V 17/02
See application file for complete search history.

(56) **References Cited**
U.S. PATENT DOCUMENTS
D670,022 S * 10/2012 Green D26/128
D670,023 S * 10/2012 Green D26/128
D690,613 S * 10/2013 Holland D10/114.2
D764,700 S * 8/2016 Chen D26/118
D784,589 S * 4/2017 Chen D26/65
D804,075 S * 11/2017 Fang D26/65
D820,506 S * 6/2018 Chen D26/120
D842,527 S * 3/2019 Liu
D853,623 S * 7/2019 Paredes D26/118
D864,458 S * 10/2019 Liu
D866,057 S * 11/2019 Lafleur D26/120

D869,038 S * 12/2019 Recker D26/63
D874,714 S * 2/2020 Lafleur D26/120
D881,446 S * 4/2020 Lafleur D26/120
D882,848 S * 4/2020 Zhang D26/63
D887,060 S * 6/2020 Wang D26/63
D892,380 S * 8/2020 Yan D26/65
D896,424 S * 9/2020 Wang D26/63
D897,020 S * 9/2020 Miyawaki D26/63
D897,021 S * 9/2020 Miyawaki D26/65
RE48,362 E * 12/2020 Paredes F21S 8/036
D26/120
D911,572 S * 2/2021 Liu D26/63
D914,261 S * 3/2021 Ouyang D26/65
D914,944 S * 3/2021 Gowing D26/63
D932,082 S * 9/2021 Zhang D26/72
D934,479 S * 10/2021 Liu D26/63
D935,671 S * 11/2021 Deng D26/2

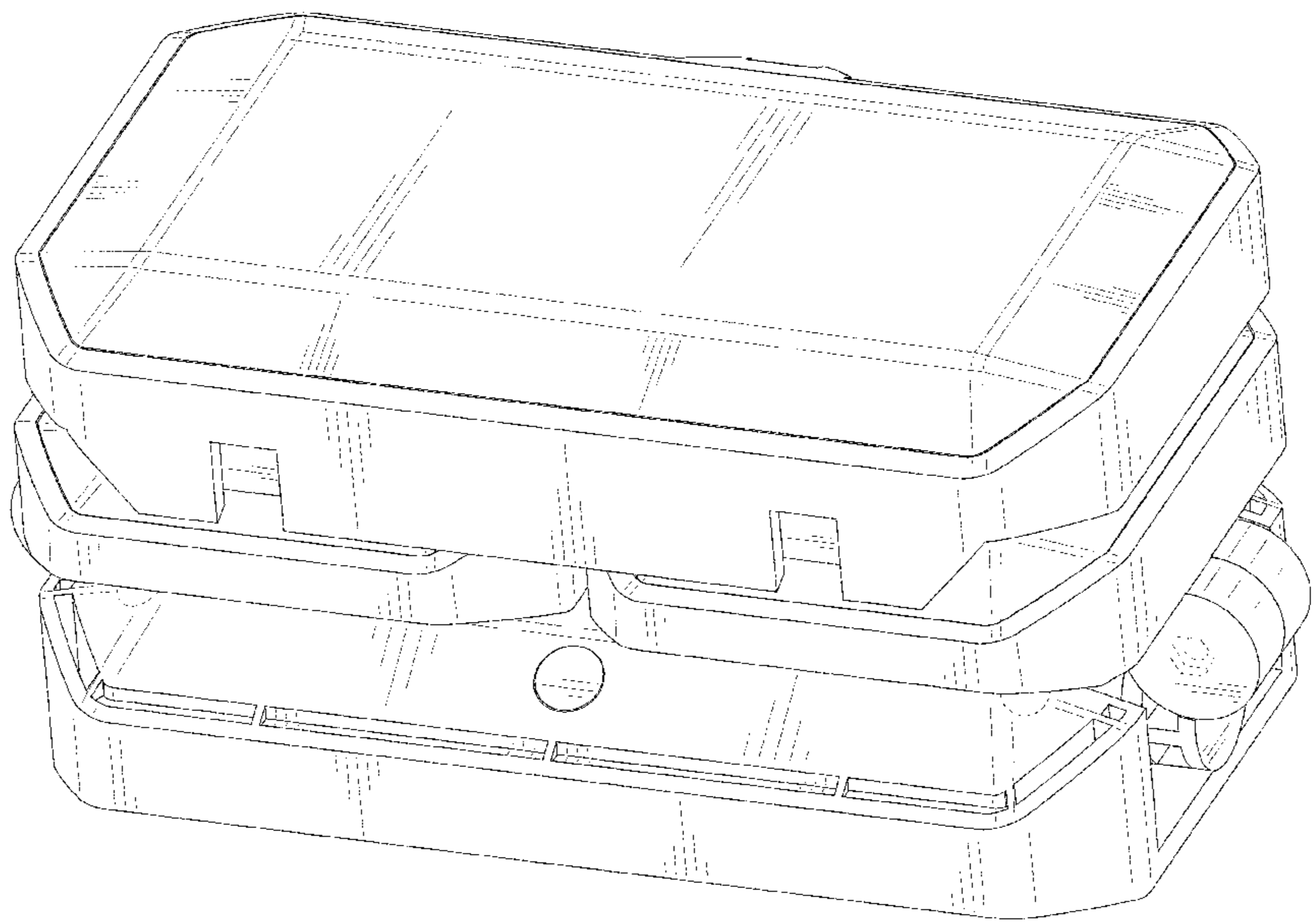
(Continued)

Primary Examiner — Wan Laymon
Assistant Examiner — Clint A Samuel

(57) **CLAIM**
The ornamental design for a solar light, as shown and described.

DESCRIPTION
FIG. 1 is a perspective view of a solar light showing my new design;
FIG. 2 is another perspective view thereof;
FIG. 3 is a front elevational view thereof;
FIG. 4 is a rear elevational view thereof;
FIG. 5 is a left side elevational view thereof;
FIG. 6 is a right side elevational view thereof;
FIG. 7 is a top plan view thereof;
FIG. 8 is a bottom plan view thereof; and,
FIG. 9 is a perspective view of the solar light where the solar light is in a configuration of use.
The broken lines in the drawings depict portions of the solar light that form no part of the claimed design.

1 Claim, 9 Drawing Sheets



(56)

References Cited

U.S. PATENT DOCUMENTS

D950,820 S * 5/2022 Zheng D26/63
D950,821 S * 5/2022 Zheng D26/63

* cited by examiner

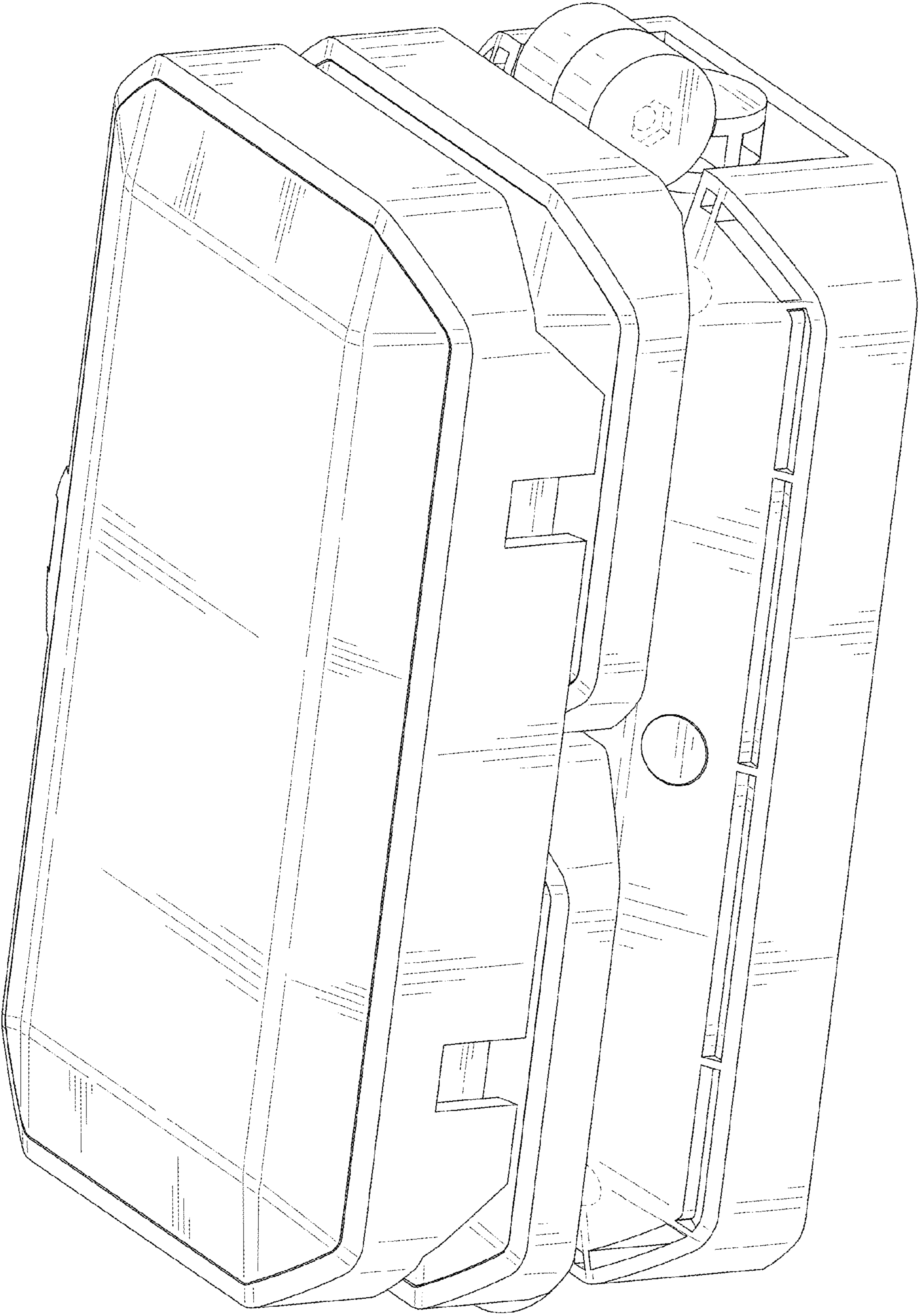


FIG. 1

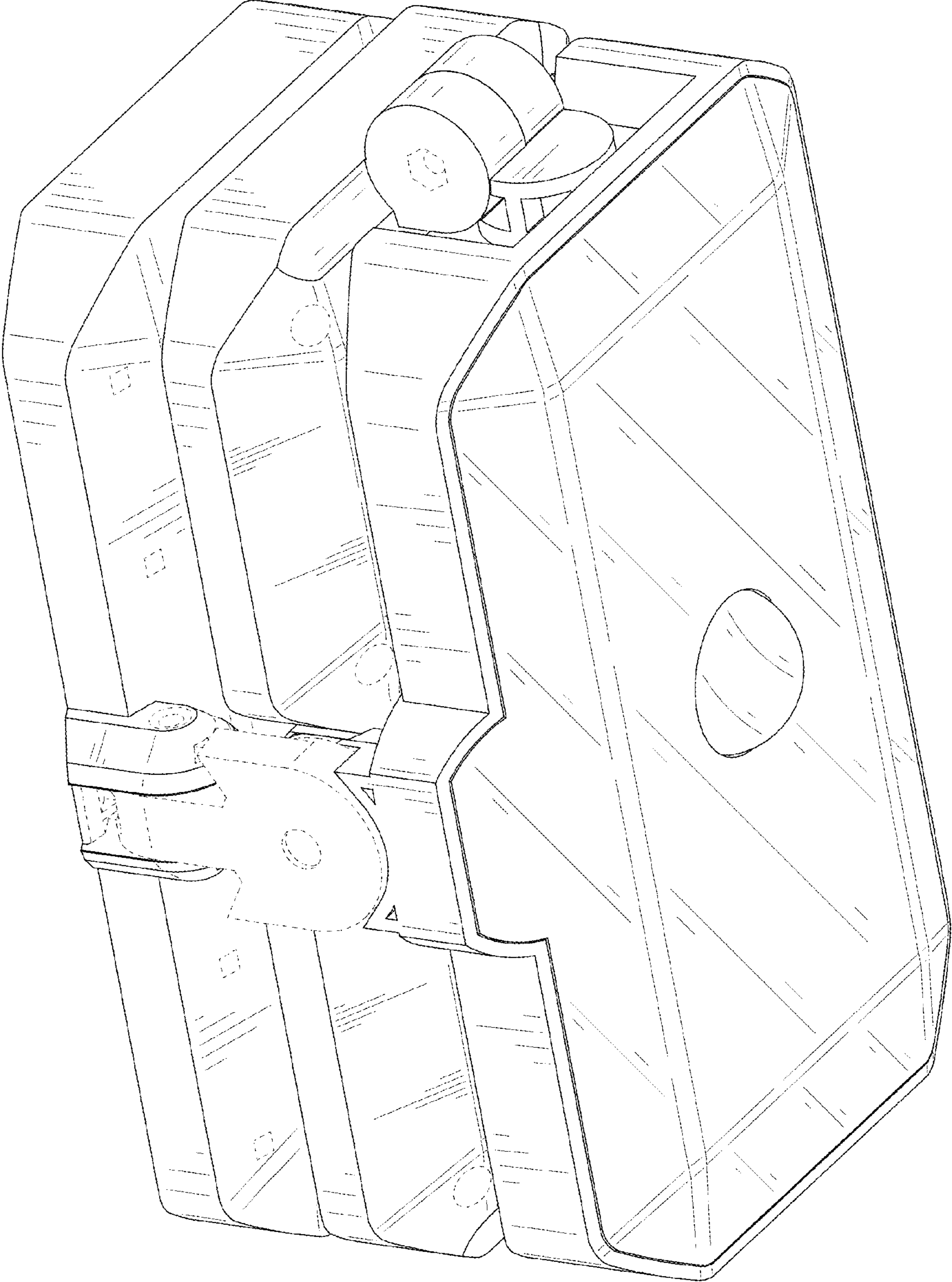


FIG. 2

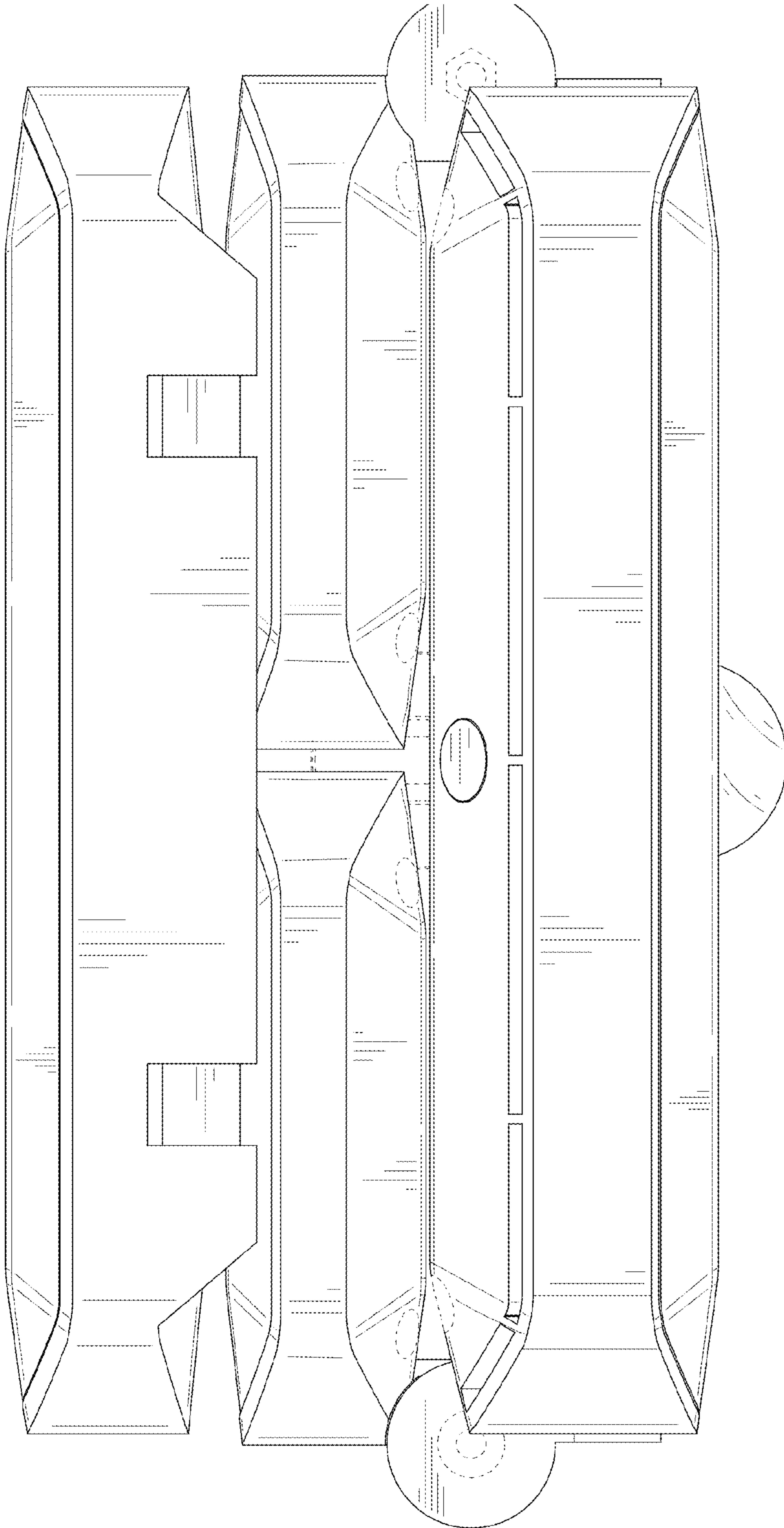


FIG. 3

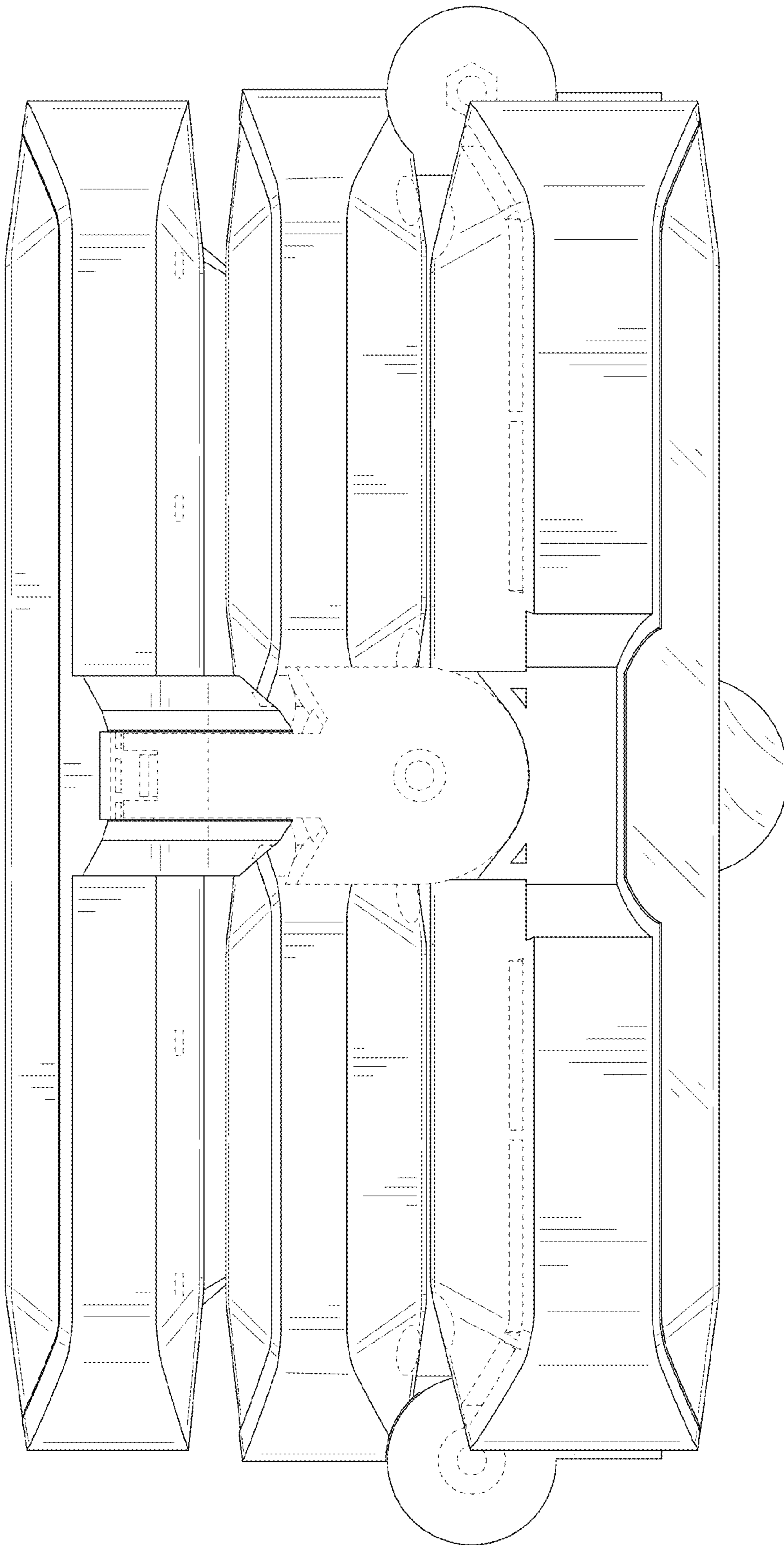


FIG. 4

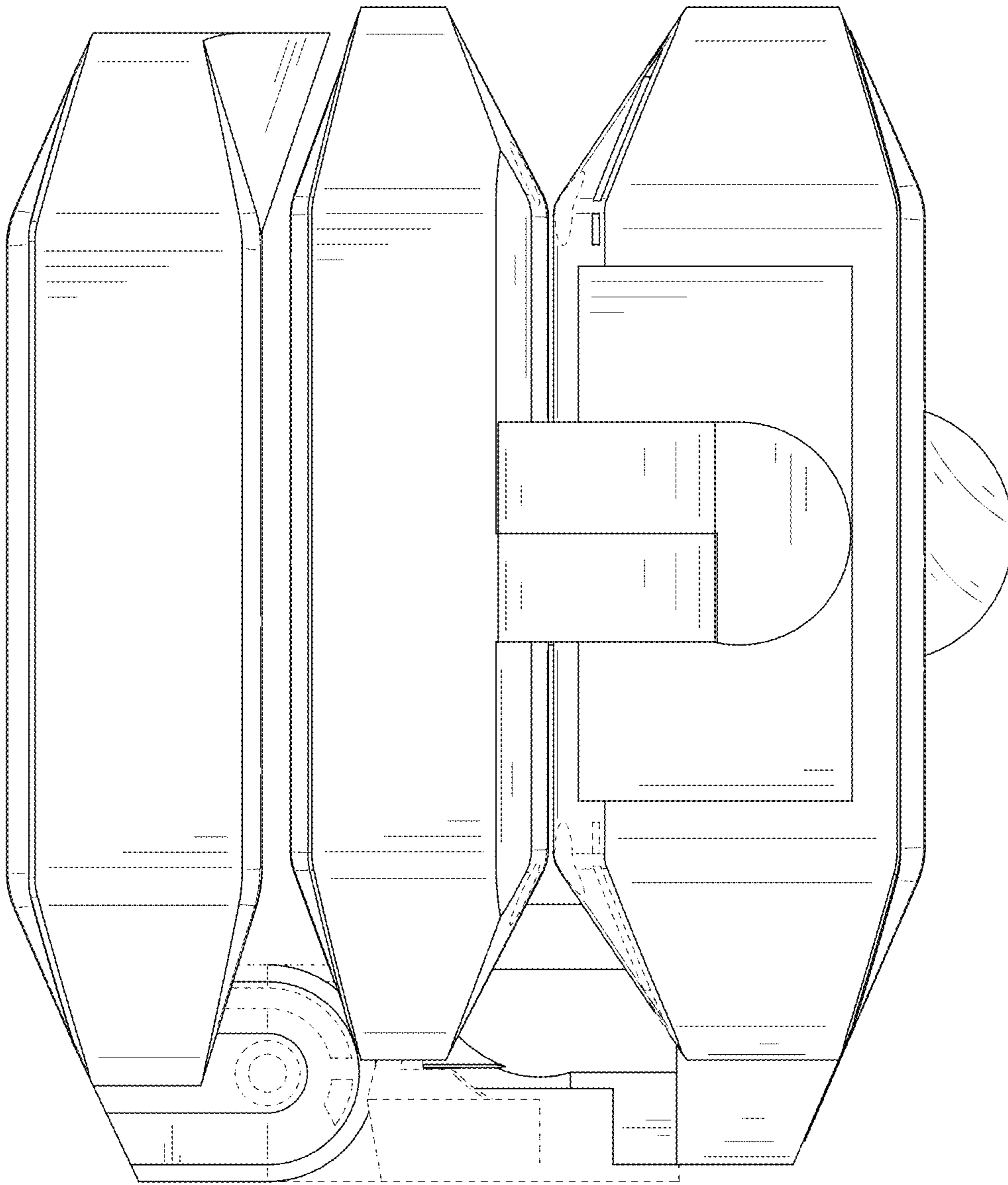


FIG. 5

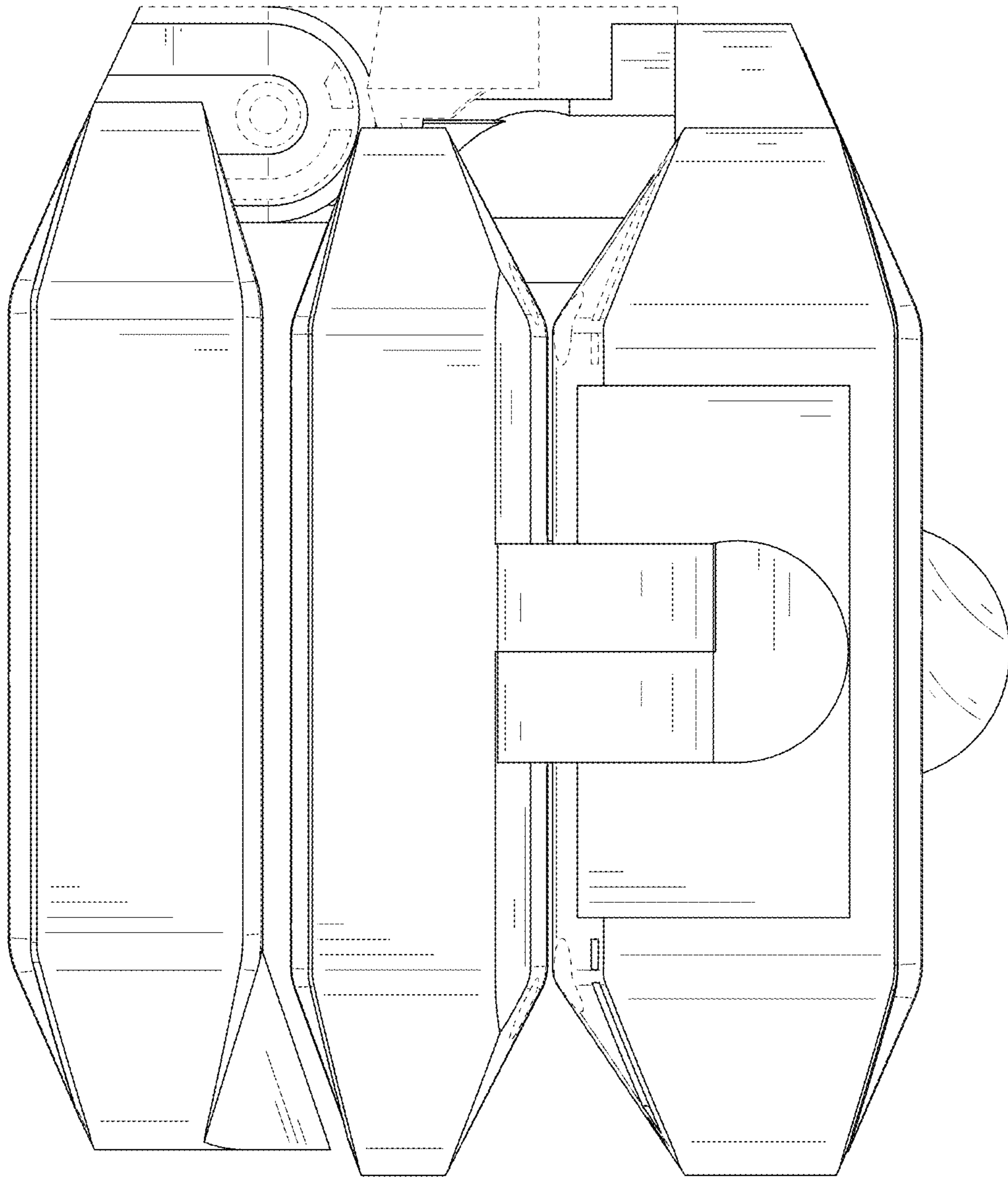


FIG. 6

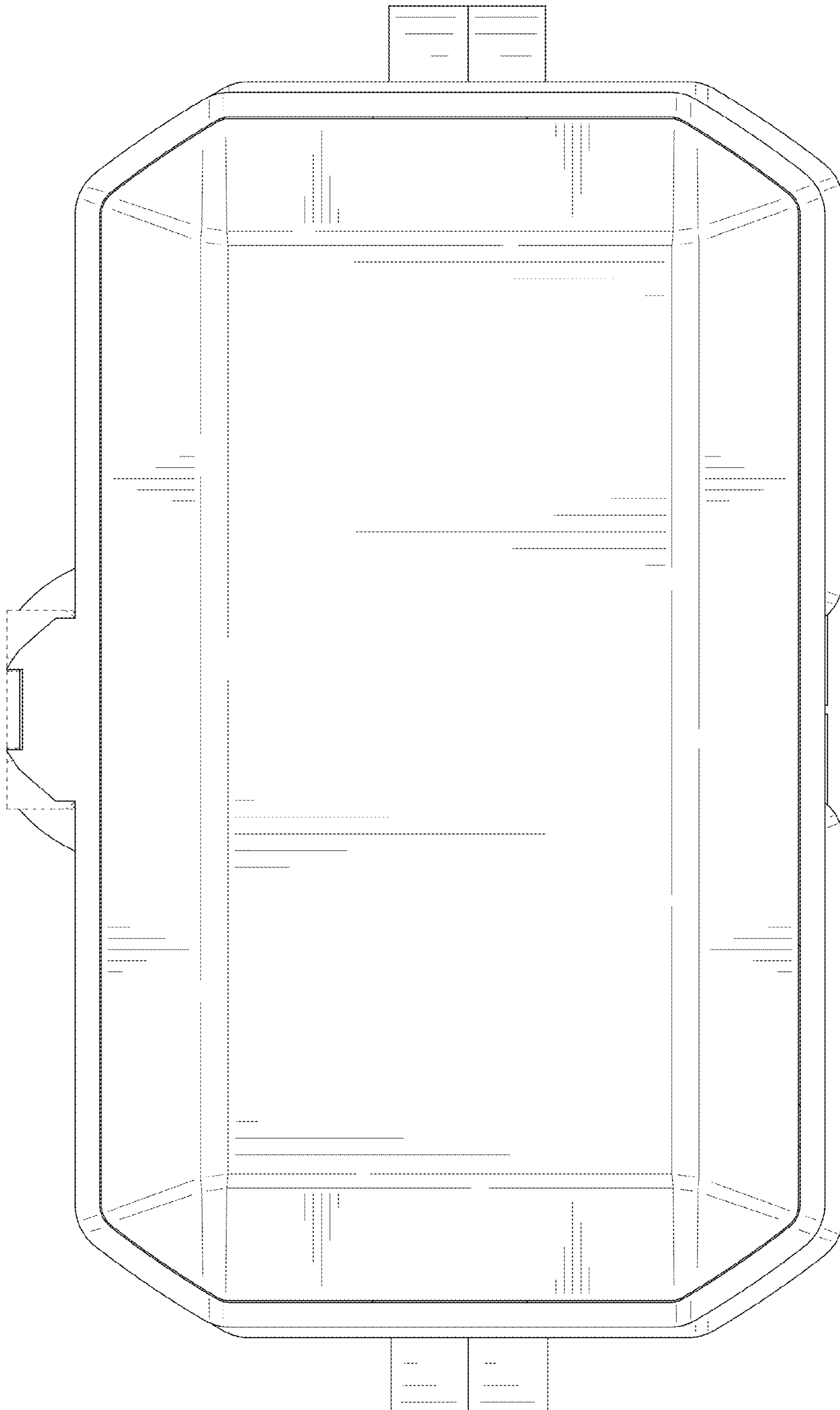


FIG. 7

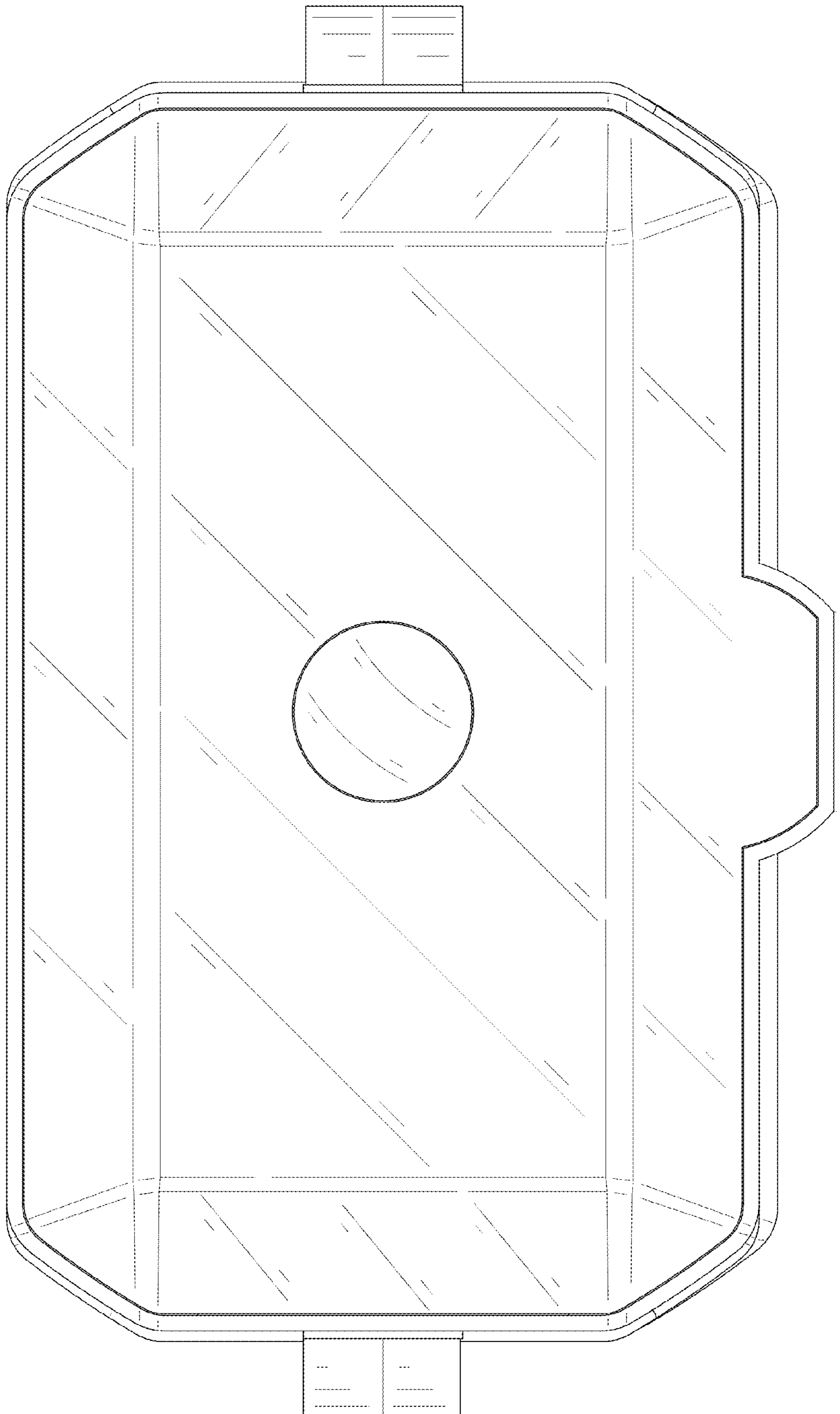


FIG. 8

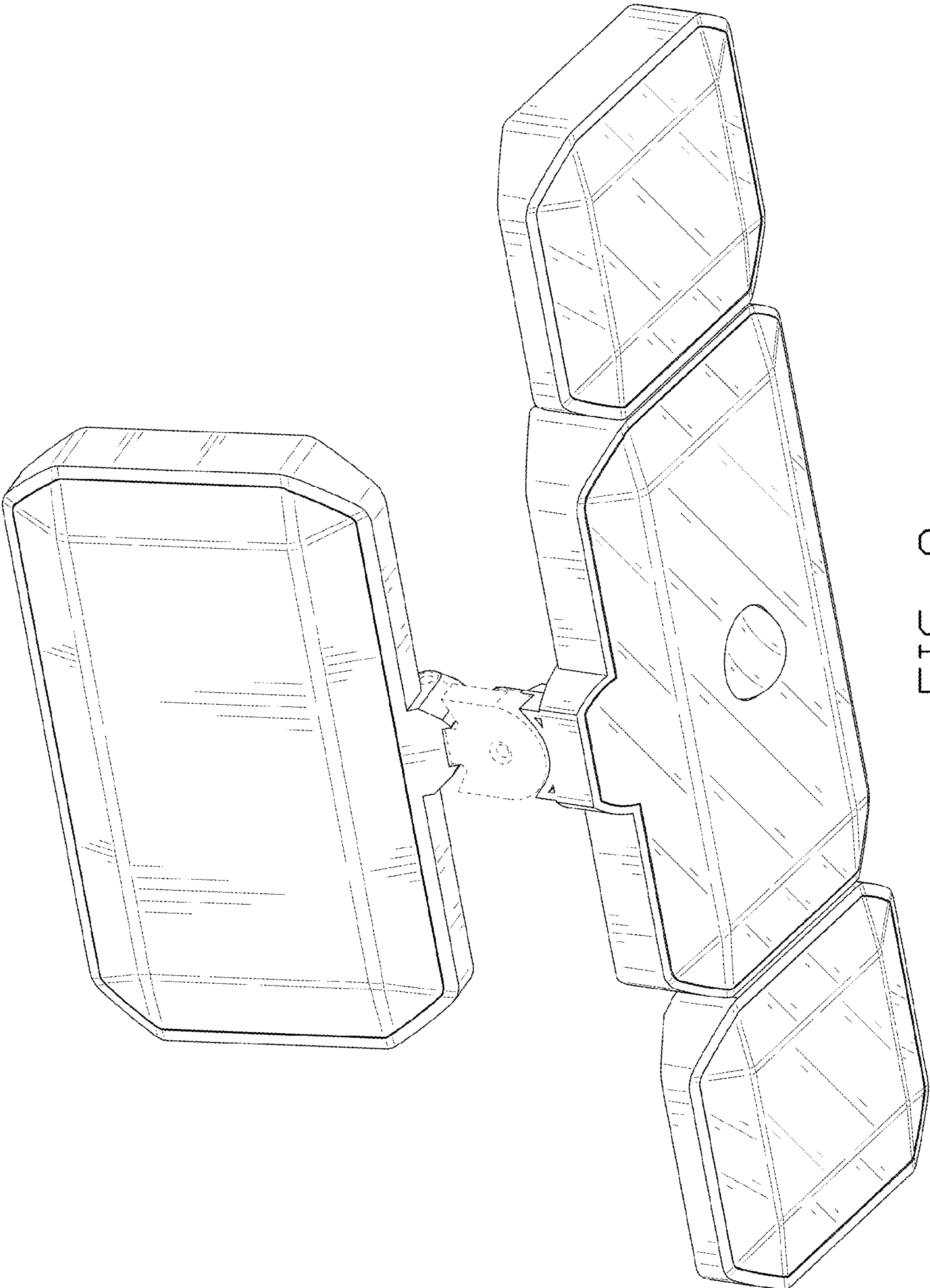


FIG. 9