



US00D965183S

(12) **United States Design Patent**
Sugiura et al.

(10) **Patent No.:** **US D965,183 S**
(45) **Date of Patent:** **** Sep. 27, 2022**

(54) **VIBRATION CONTROL AND NOISE INSULATION MATERIAL**

(74) *Attorney, Agent, or Firm* — Oblon, McClelland, Maier & Neustadt, L.L.P.

(71) Applicant: **Mitsubishi Chemical Corporation**, Tokyo (JP)

(57) **CLAIM**

The ornamental design for a vibration control and noise insulation material, as shown and described.

(72) Inventors: **Katsuhiko Sugiura**, Tokyo (JP); **Yukio Kato**, Tokyo (JP); **Hiroshi Mitani**, Tokyo (JP); **Kazuma Inoue**, Tokyo (JP); **Naoyuki Uchida**, Tokyo (JP); **Shogo Koga**, Tokyo (JP)

DESCRIPTION

(73) Assignee: **Mitsubishi Chemical Corporation**, Tokyo (JP)

FIG. 1 is a top plan view of a first embodiment of a vibration control and noise insulation material.
FIG. 2 is a bottom plan view thereof.
FIG. 3 is a front elevation view thereof.
FIG. 4 is a rear elevation view thereof.
FIG. 5 is a left side elevation view thereof.
FIG. 6 is a right side elevation view thereof.
FIG. 7 is an enlarged perspective view of the claimed design and the neighboring area.
FIG. 8 is an enlarged view of the encircled portion in FIG. 1.

(**) Term: **15 Years**

(21) Appl. No.: **29/748,826**

(22) Filed: **Sep. 1, 2020**

(30) **Foreign Application Priority Data**

Mar. 3, 2020 (JP) 2020-004185 D
Mar. 3, 2020 (JP) 2020-004187 D

(51) **LOC (13) Cl.** **25-01**

(52) **U.S. Cl.**
USPC **D25/155**

(58) **Field of Classification Search**
USPC D25/155

(Continued)

(56) **References Cited**

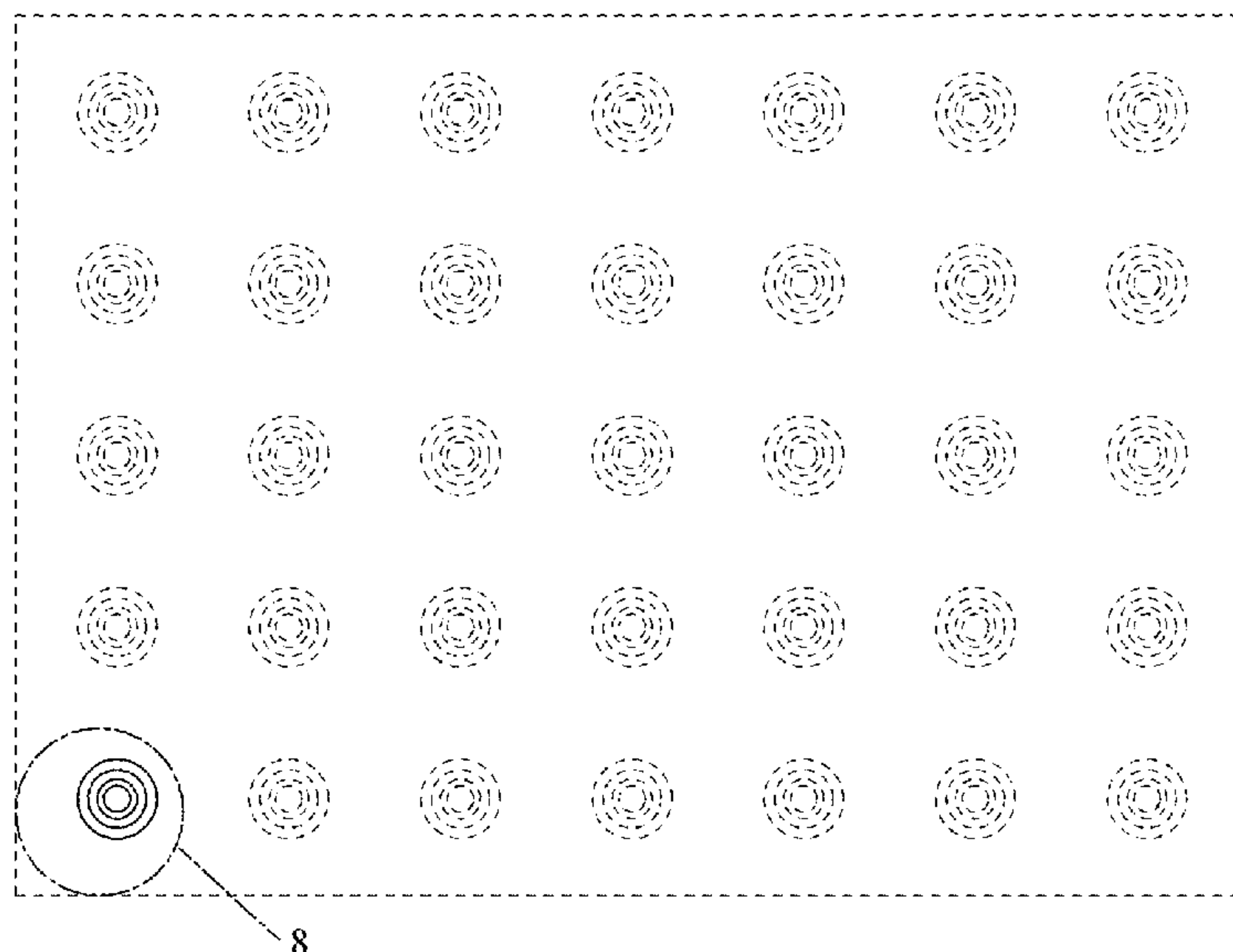
U.S. PATENT DOCUMENTS

2,076,994 A * 4/1937 Kanengeiser E04B 1/86
181/290
3,991,848 A * 11/1976 Davis E04B 1/90
428/138

(Continued)

Primary Examiner — Doris Clark

1 Claim, 18 Drawing Sheets



(58) **Field of Classification Search**

CPC . E04B 1/84; E04B 1/8409; E04B 1/98; E04B
2001/8476; E04B 2001/848; E04B
2001/8419

See application file for complete search history.

(56) **References Cited**

U.S. PATENT DOCUMENTS

4,338,758 A * 7/1982 Hagbjer E04F 15/206
52/403.1
4,482,592 A * 11/1984 Kramer F16F 1/44
428/909
4,565,039 A * 1/1986 Oguro E02D 27/44
267/140.5
D865,224 S * 10/2019 Harrison D25/155

* cited by examiner

FIG. 1

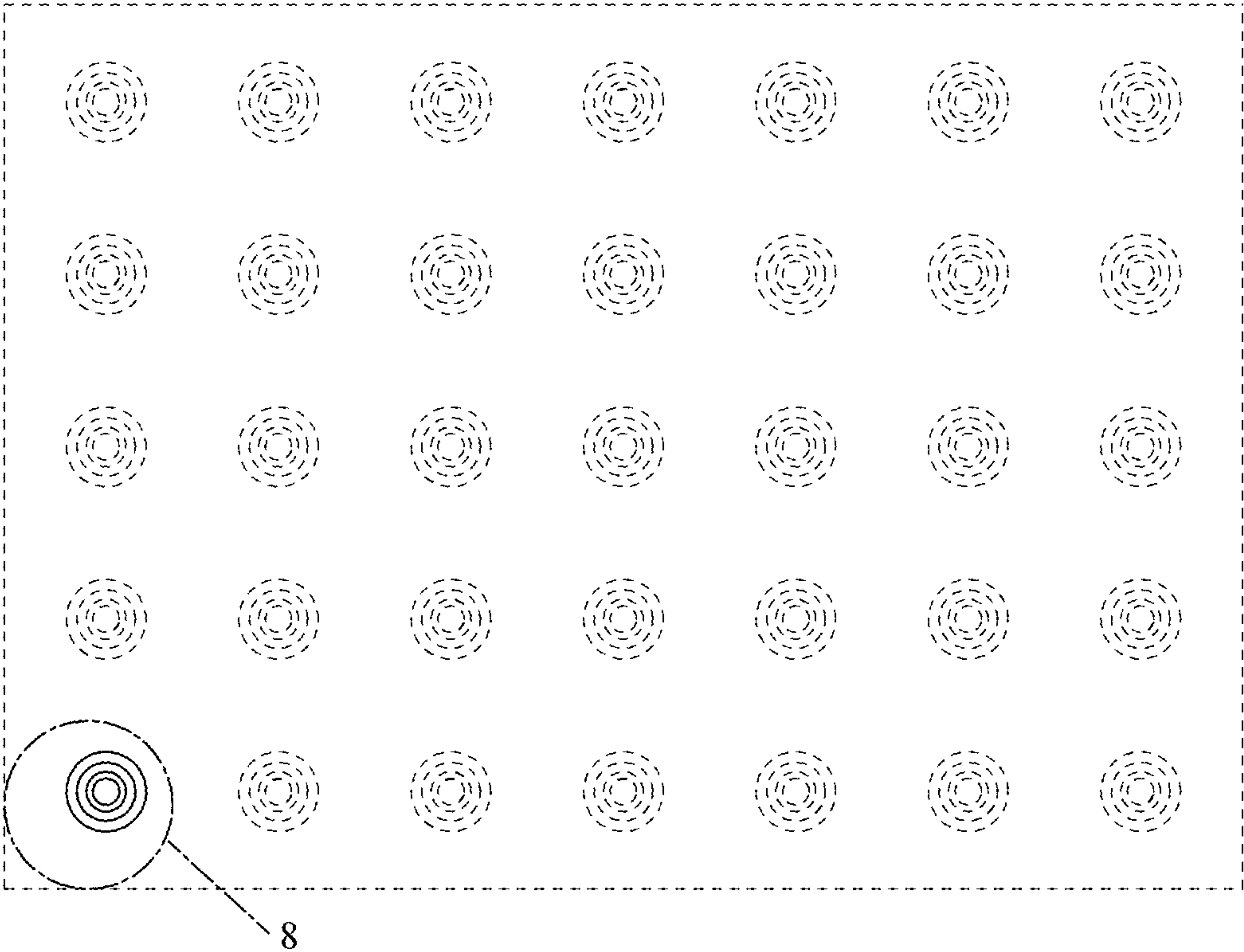


FIG. 2

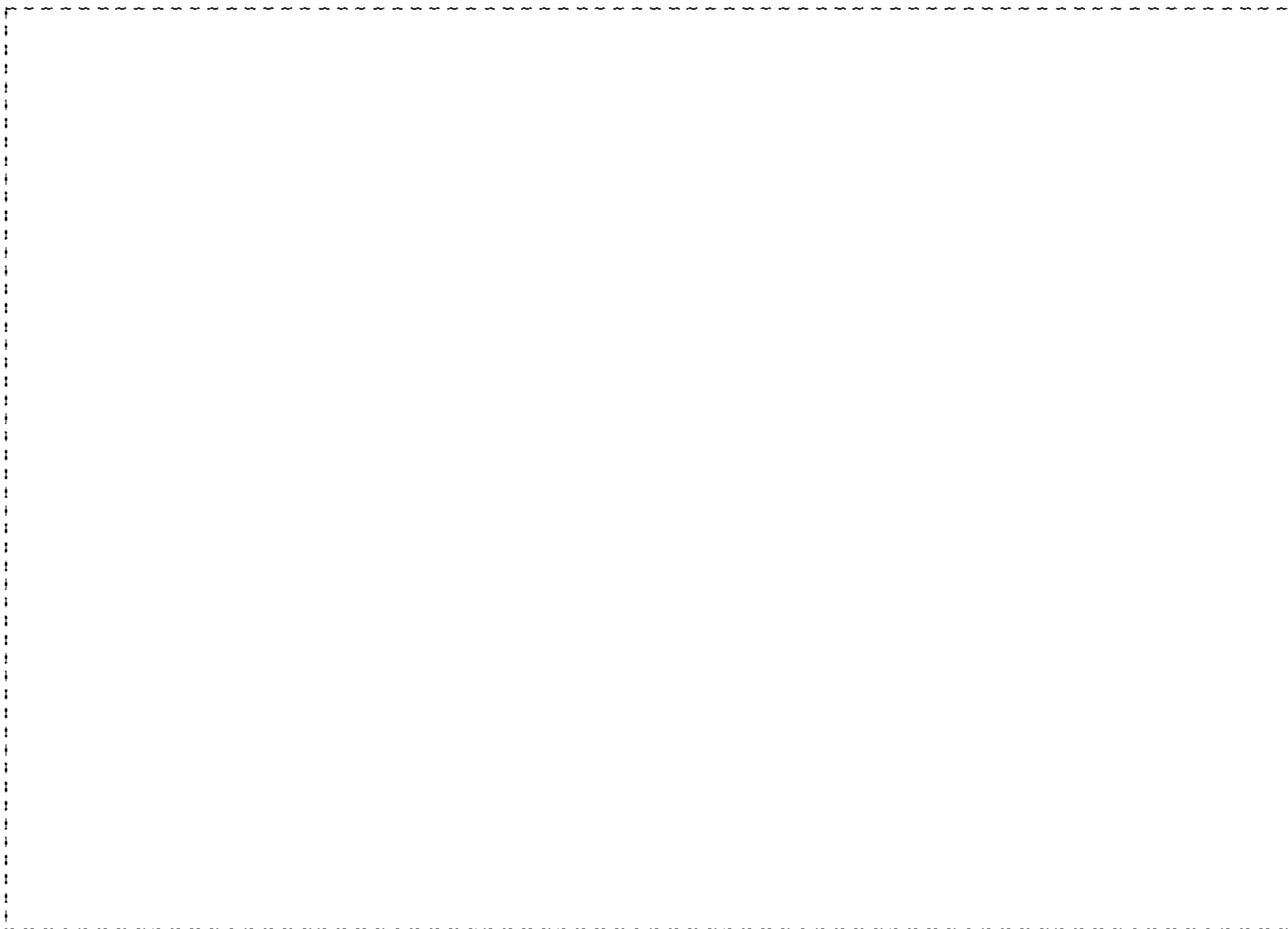


FIG. 3

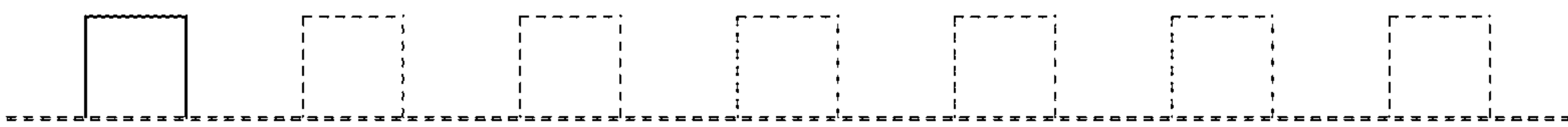


FIG. 4

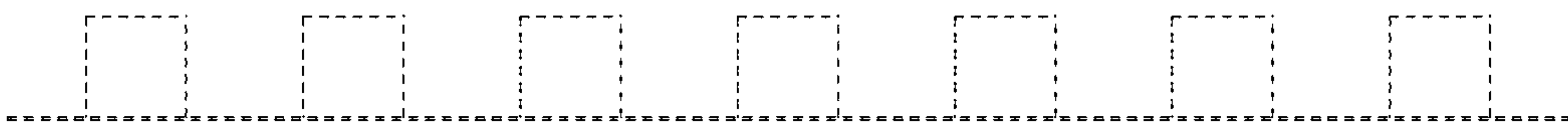


FIG. 5

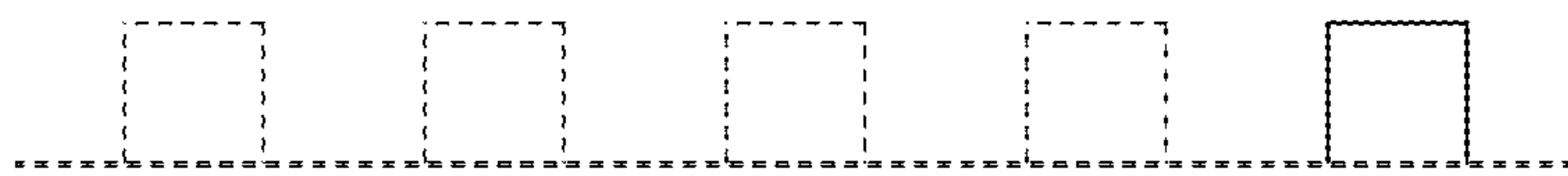


FIG. 6

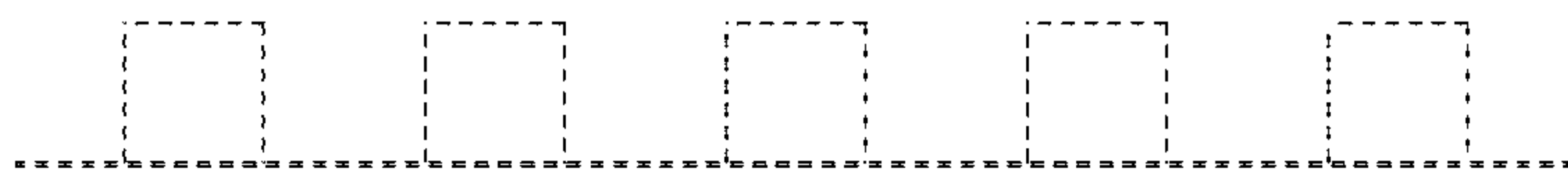


FIG. 7

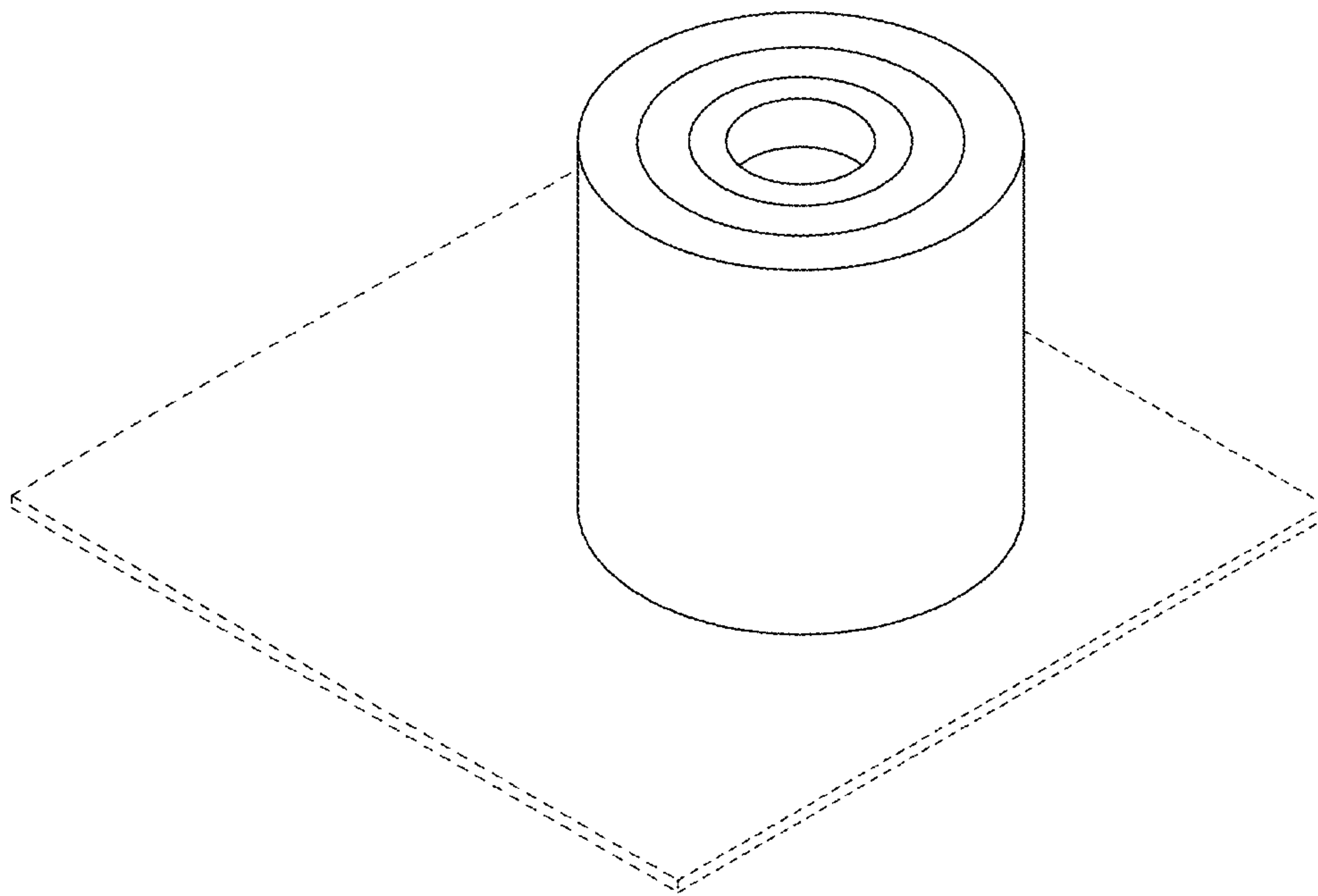


FIG. 8

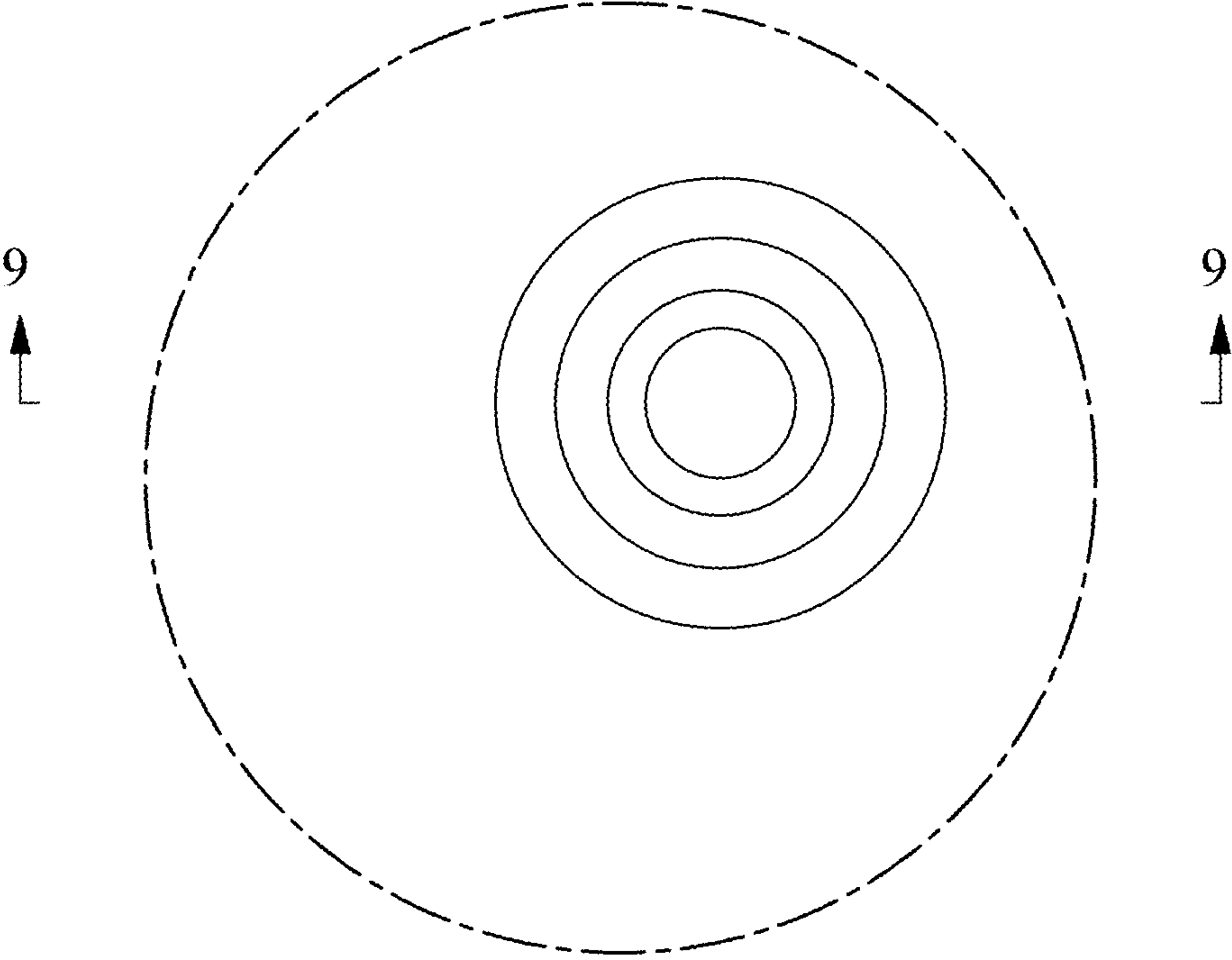


FIG. 9

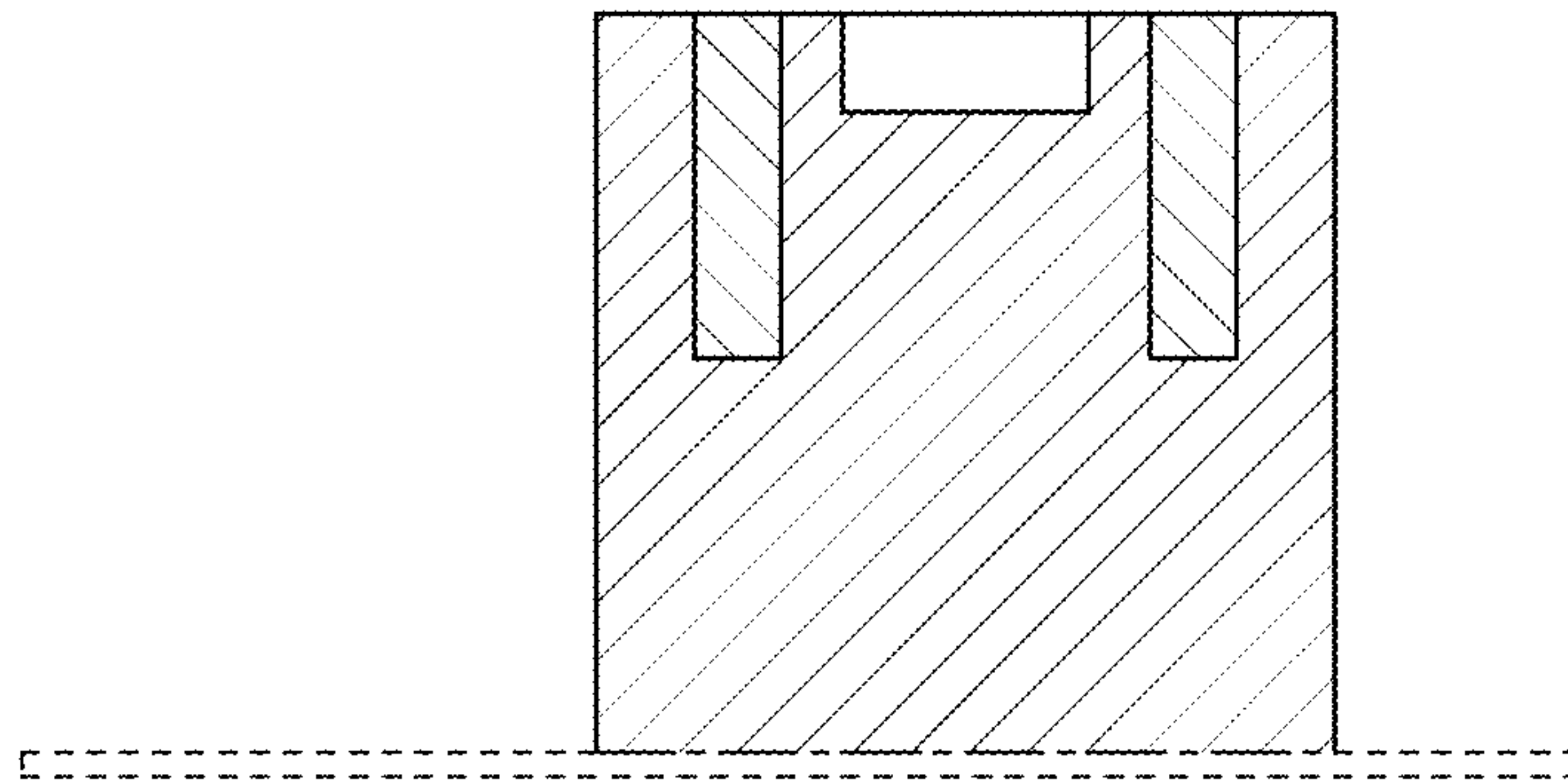


FIG. 10

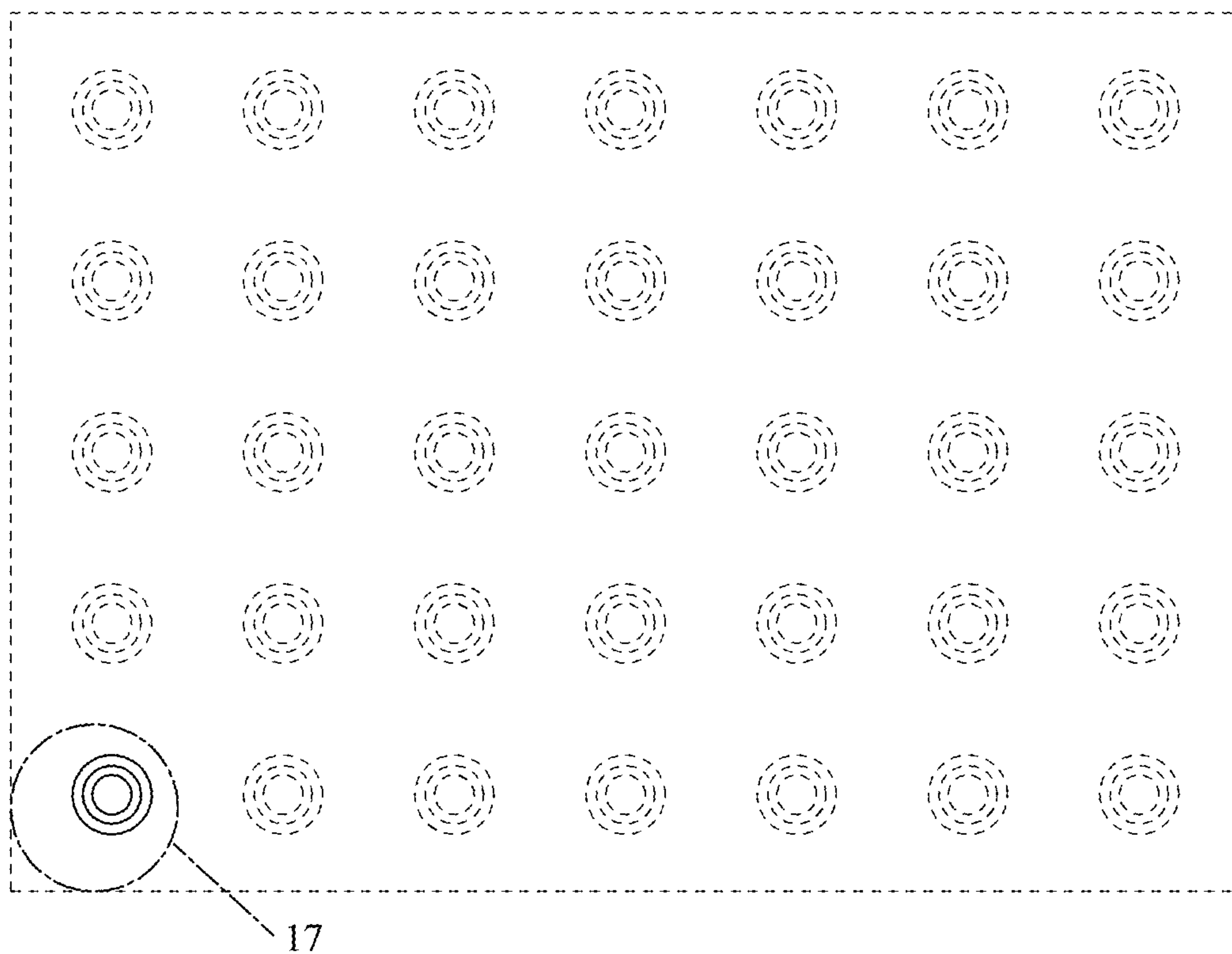


FIG. 11

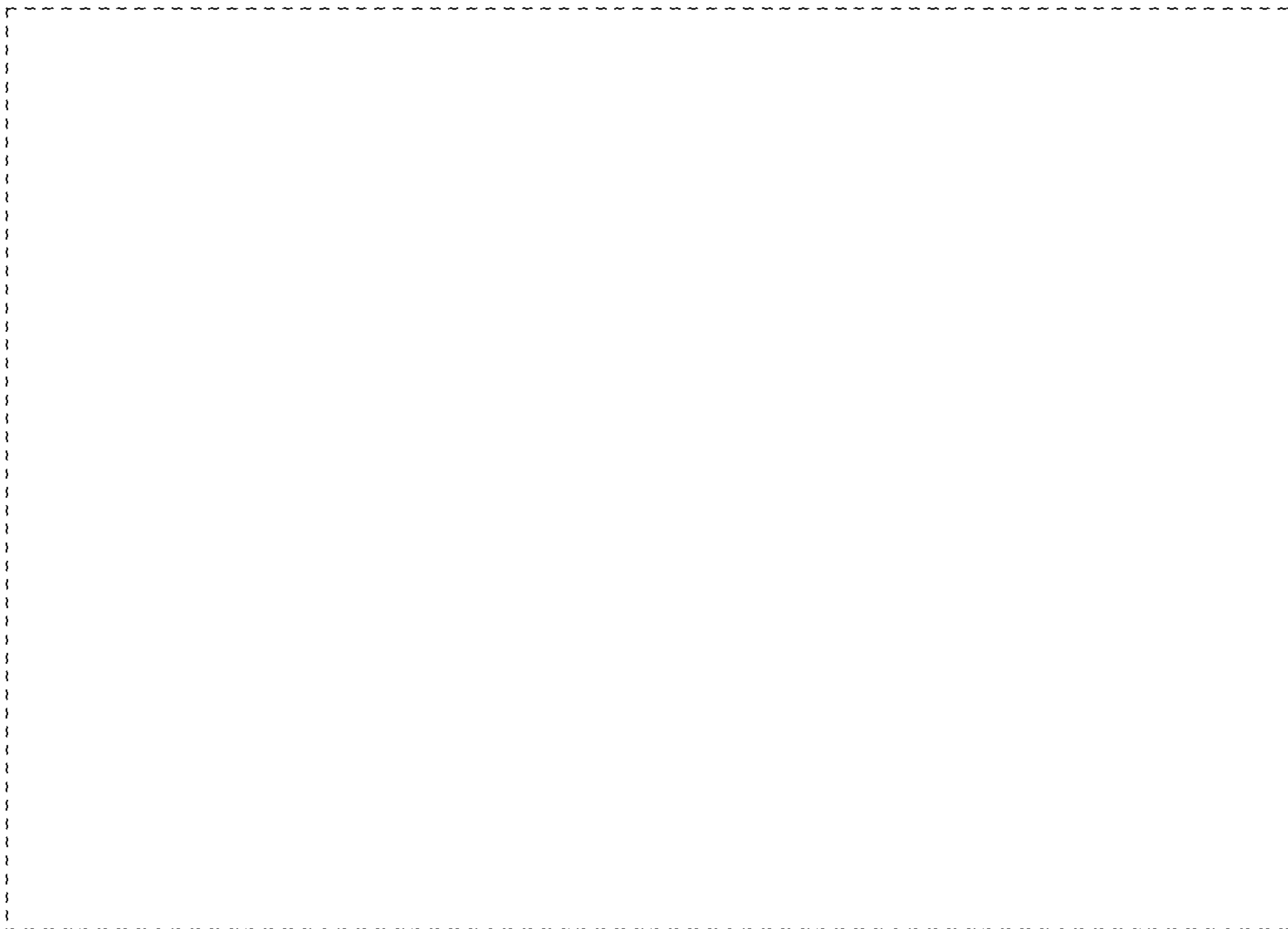


FIG. 12

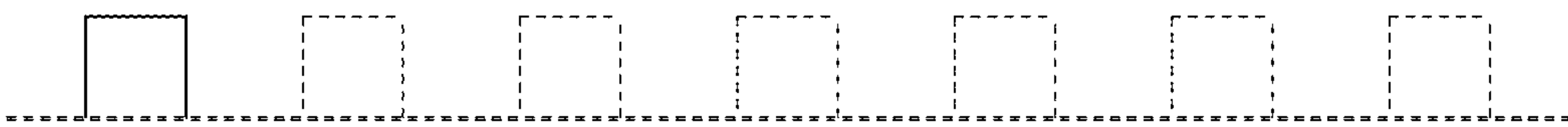


FIG. 13

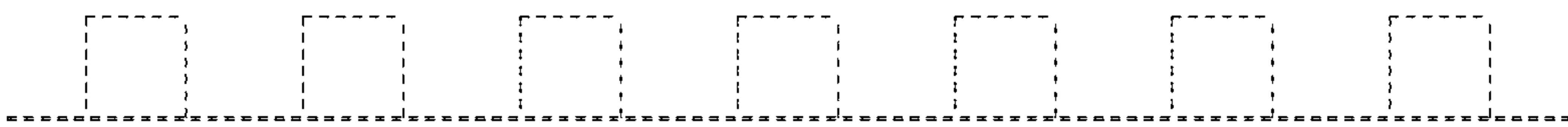


FIG. 14

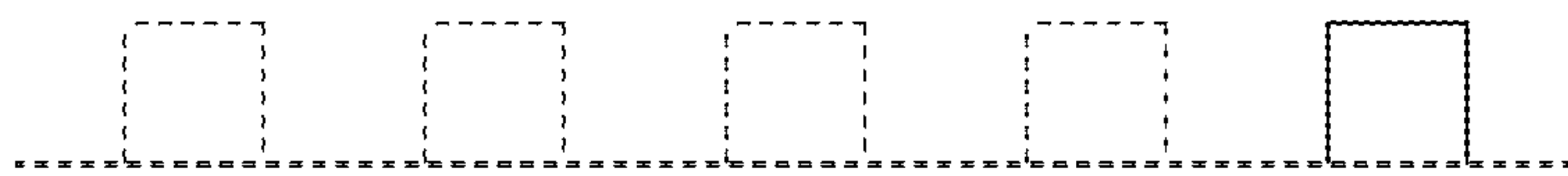


FIG. 15

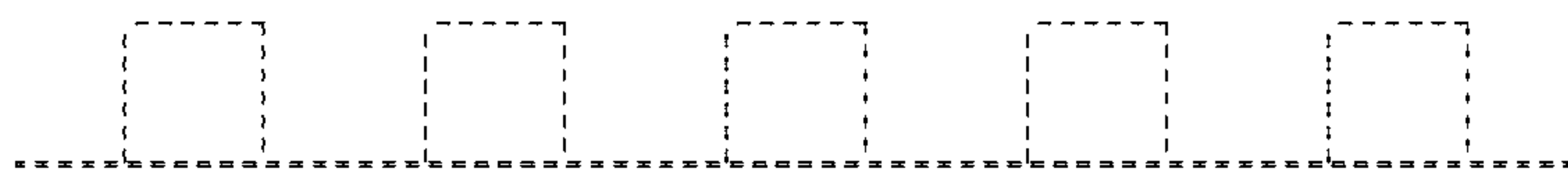


FIG. 16

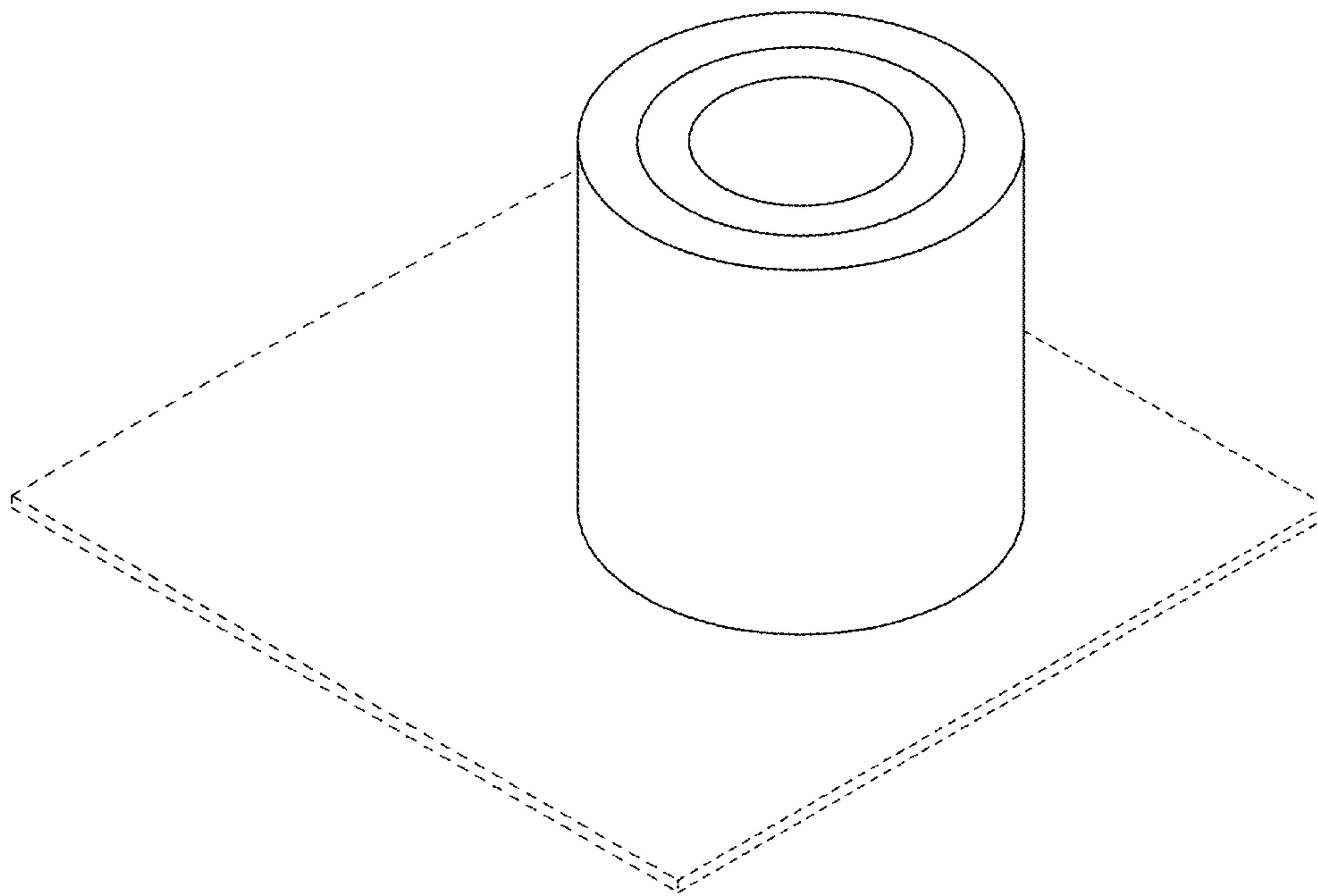


FIG. 17

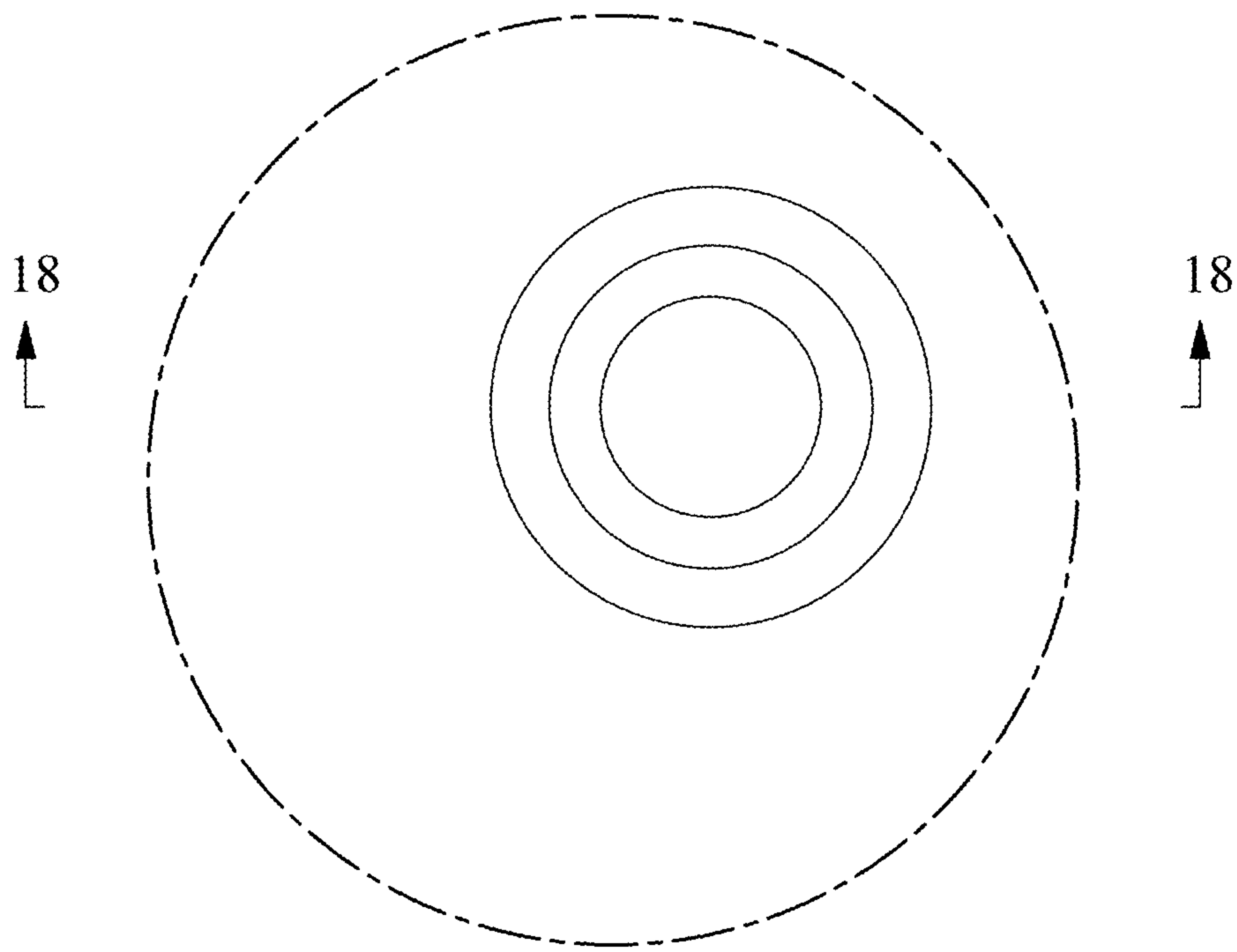


FIG. 18

