



US00D965181S

(12) **United States Design Patent**
Zhang

(10) **Patent No.:** **US D965,181 S**
(45) **Date of Patent:** **** Sep. 27, 2022**

(54) **BABY FENCE ASSEMBLY**

(71) Applicant: **XIAMEN HONOR INDUSTRY AND TRADING CO., LTD**, Xiamen (CN)

(72) Inventor: **Jianyong Zhang**, Chongqing (CN)

(73) Assignee: **XIAMEN HONOR INDUSTRY AND TRADING CO., LTD**, Xiamen (CN)

(**) Term: **15 Years**

(21) Appl. No.: **29/795,468**

(22) Filed: **Jun. 18, 2021**

(51) **LOC (13) Cl.** **06-06**

(52) **U.S. Cl.**
USPC **D25/38.1**

(58) **Field of Classification Search**
USPC D6/331; D8/354, 363, 382; D25/38.1, D25/39, 61

(Continued)

(56) **References Cited**

U.S. PATENT DOCUMENTS

D423,918 S * 5/2000 Hirano D8/382
6,721,971 B1 * 4/2004 Cheng A47D 13/063
5/98.1

(Continued)

FOREIGN PATENT DOCUMENTS

CN 306601867 * 6/2021
EM 000066337-0001 * 1/2004
EM 000201611-0001 * 10/2004

Primary Examiner — Leanne Was-Englehart

(57) **CLAIM**

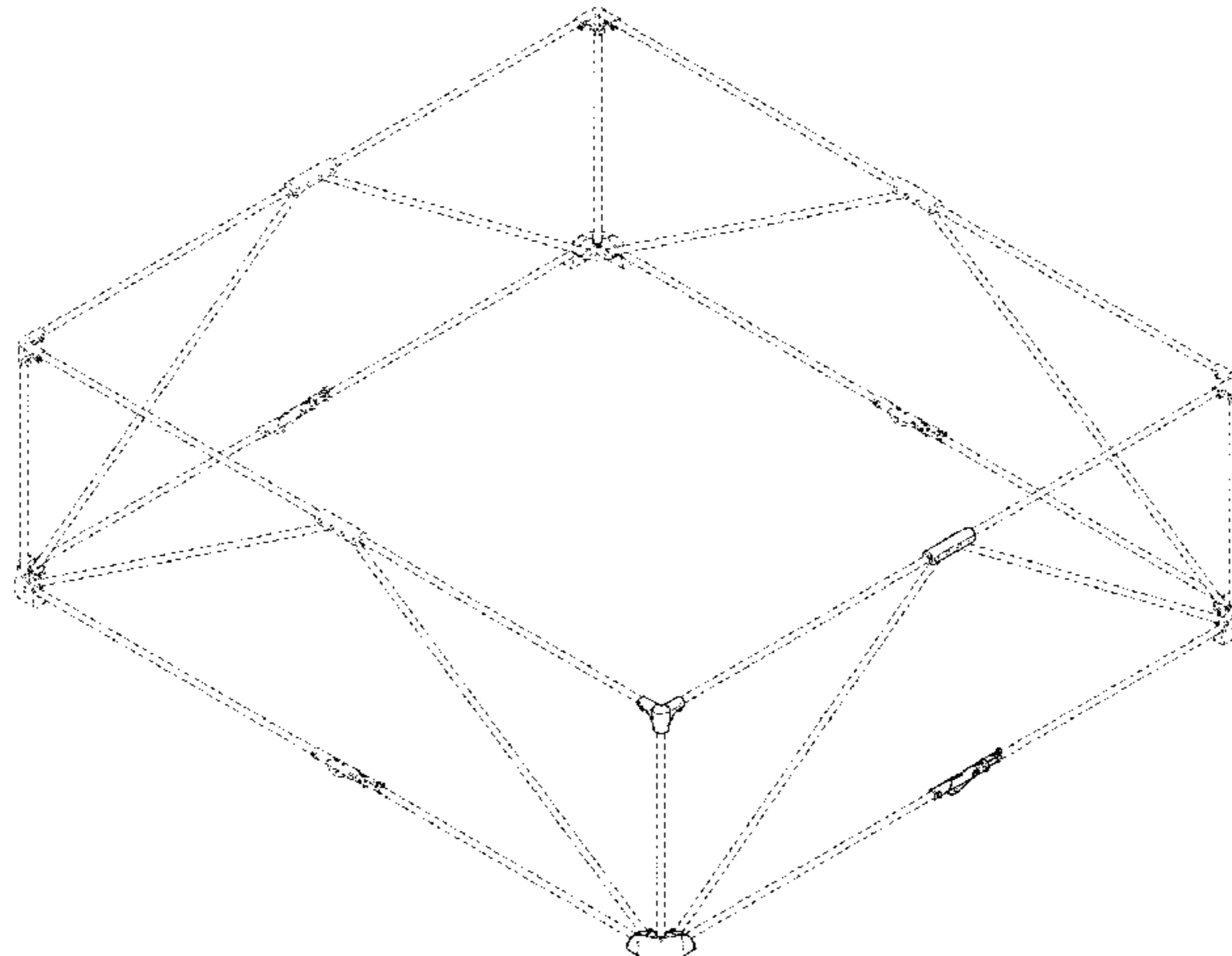
The ornamental design for a baby fence assembly, as shown and described.

DESCRIPTION

FIG. 1 is a perspective view of a first component of a baby fence assembly showing my new design, shown separately for ease of illustration;

FIG. 2 is another perspective view thereof;
FIG. 3 is a front elevational view thereof;
FIG. 4 is a rear elevational view thereof;
FIG. 5 is a left side elevational view thereof;
FIG. 6 is a right side elevational view thereof;
FIG. 7 is a top plan view thereof;
FIG. 8 is a bottom plan view thereof;
FIG. 9 is a perspective view of a second component of the baby fence assembly showing my new design;
FIG. 10 is another perspective view thereof;
FIG. 11 is a front elevational view thereof;
FIG. 12 is a rear elevational view thereof;
FIG. 13 is a left side elevational view thereof;
FIG. 14 is a right side elevational view thereof;
FIG. 15 is a top plan view thereof;
FIG. 16 is a bottom plan view thereof;
FIG. 17 is a perspective view of a third component of the baby fence assembly showing my new design;
FIG. 18 is another perspective view thereof;
FIG. 19 is a front elevational view thereof;
FIG. 20 is a rear elevational view thereof;
FIG. 21 is a left side elevational view thereof;
FIG. 22 is a right side elevational view thereof;
FIG. 23 is a top plan view thereof;
FIG. 24 is a bottom plan view thereof;
FIG. 25 is a perspective view of a fourth component of the baby fence assembly showing my new design;
FIG. 26 is another perspective view thereof;
FIG. 27 is a front elevational view thereof;
FIG. 28 is a rear elevational view thereof;
FIG. 29 is a left side elevational view thereof;
FIG. 30 is a right side elevational view thereof;
FIG. 31 is a top plan view thereof;
FIG. 32 is a bottom plan view thereof; and,
FIG. 33 is a perspective view of the baby fence assembly where the baby fence assembly is in a configuration of use. The broken lines in FIGS. 1-32 depict portions of the baby fence assembly that form no art of the claimed design. The broken lines in FIG. 33 depict environment that forms no part of the claimed design.

1 Claim, 33 Drawing Sheets



(58) **Field of Classification Search**

CPC A47D 13/063; E04H 17/18
See application file for complete search history.

(56) **References Cited**

U.S. PATENT DOCUMENTS

D688,115 S * 8/2013 Wiegmann D8/349
D707,366 S * 6/2014 Rowland D25/61
8,955,175 B2 * 2/2015 Wiegmann A47D 13/063
256/25
D787,708 S 5/2017 Cha
D815,300 S * 4/2018 Lin A63C 19/02
D8/382
D830,818 S * 10/2018 Hynek D8/382
D926,295 S * 7/2021 Zhang D23/262
D946,912 S * 3/2022 Wu D6/331
2004/0118844 A1 * 6/2004 Bennett B65D 90/205
220/4.12
2009/0013463 A1 * 1/2009 Cheng A47D 13/063
5/98.1
2010/0083437 A1 * 4/2010 Hui E04H 4/14
4/506
2016/0201348 A1 * 7/2016 Liu E04H 4/0056
4/506

* cited by examiner

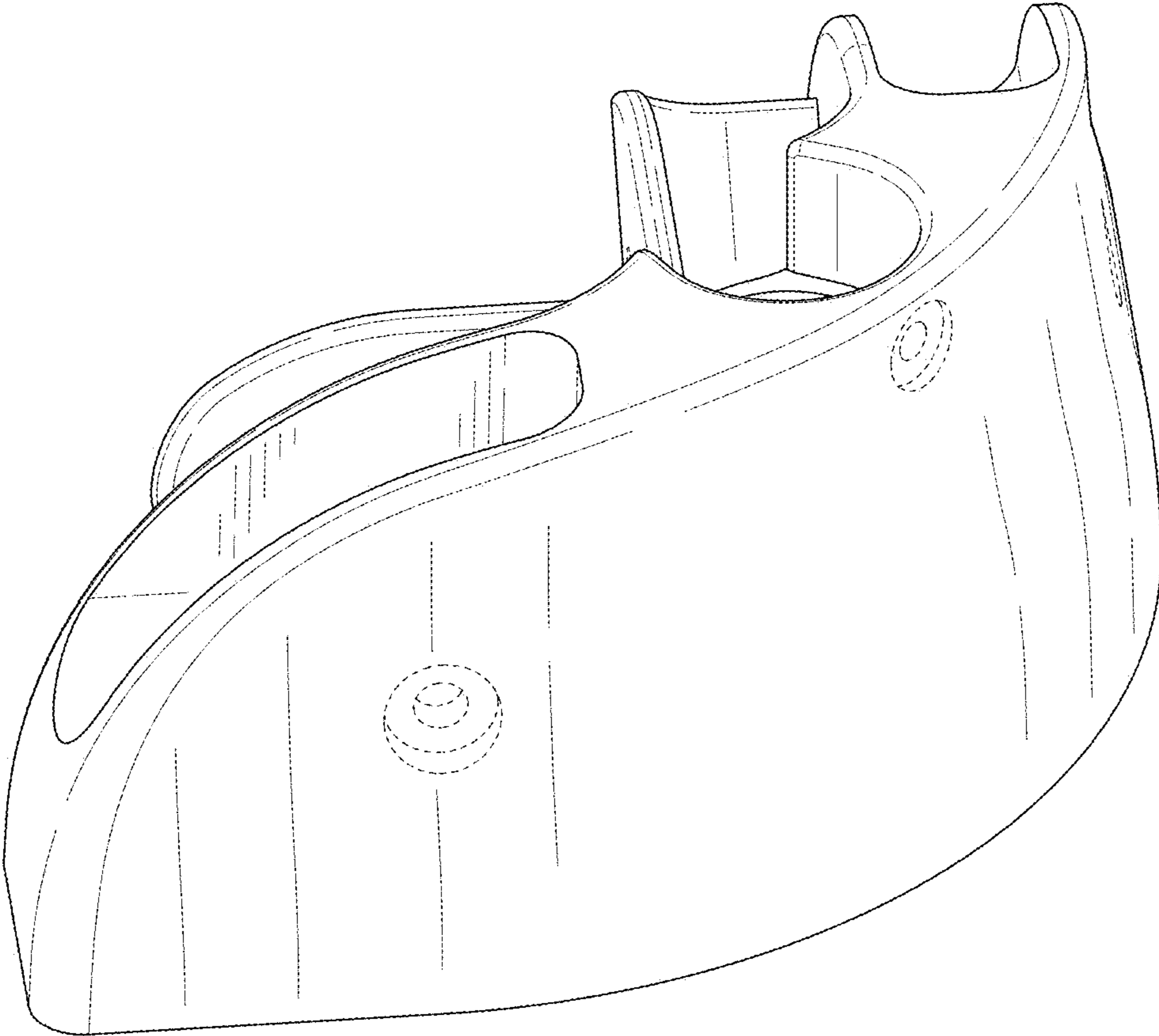


FIG. 1

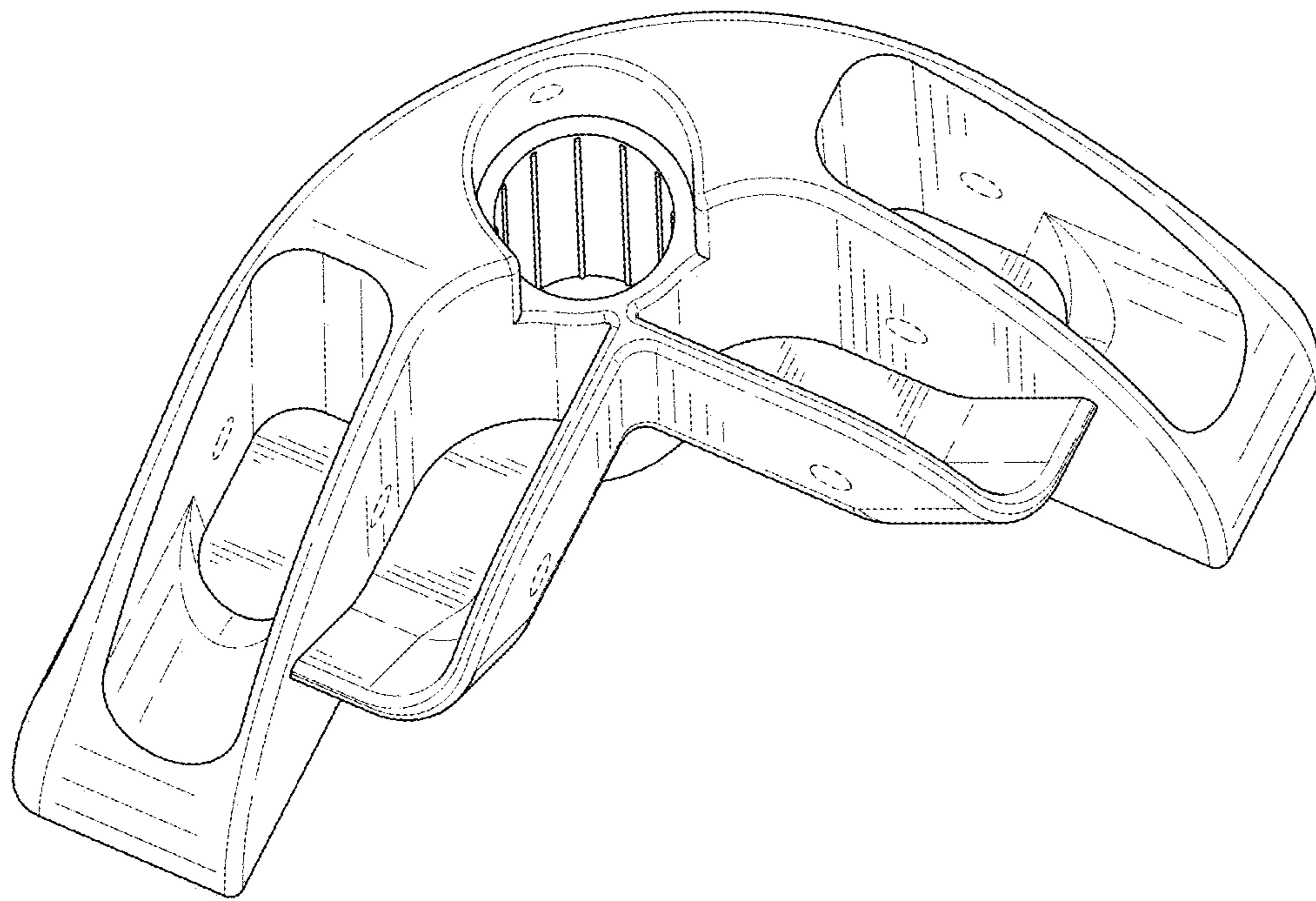


FIG. 2

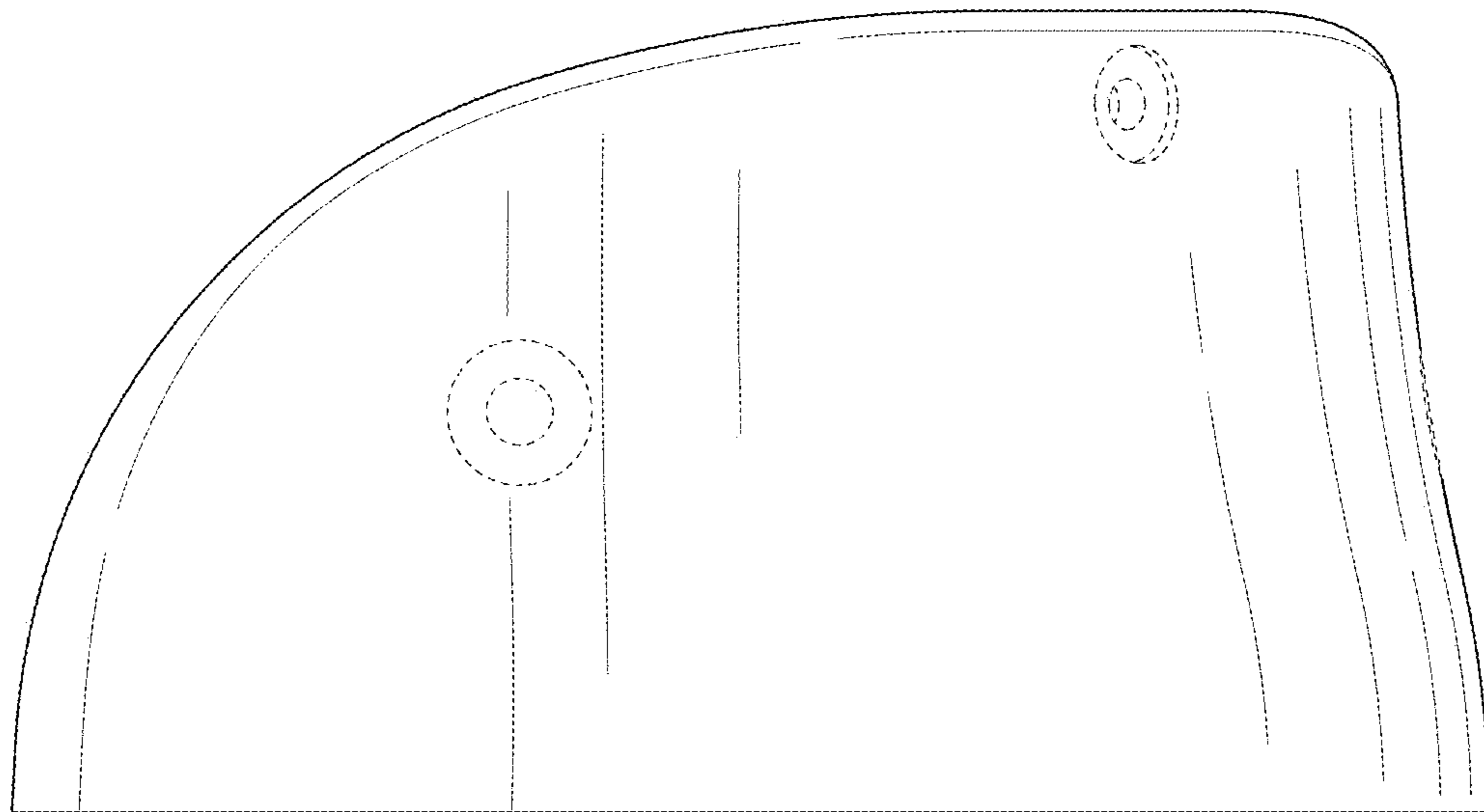


FIG. 3

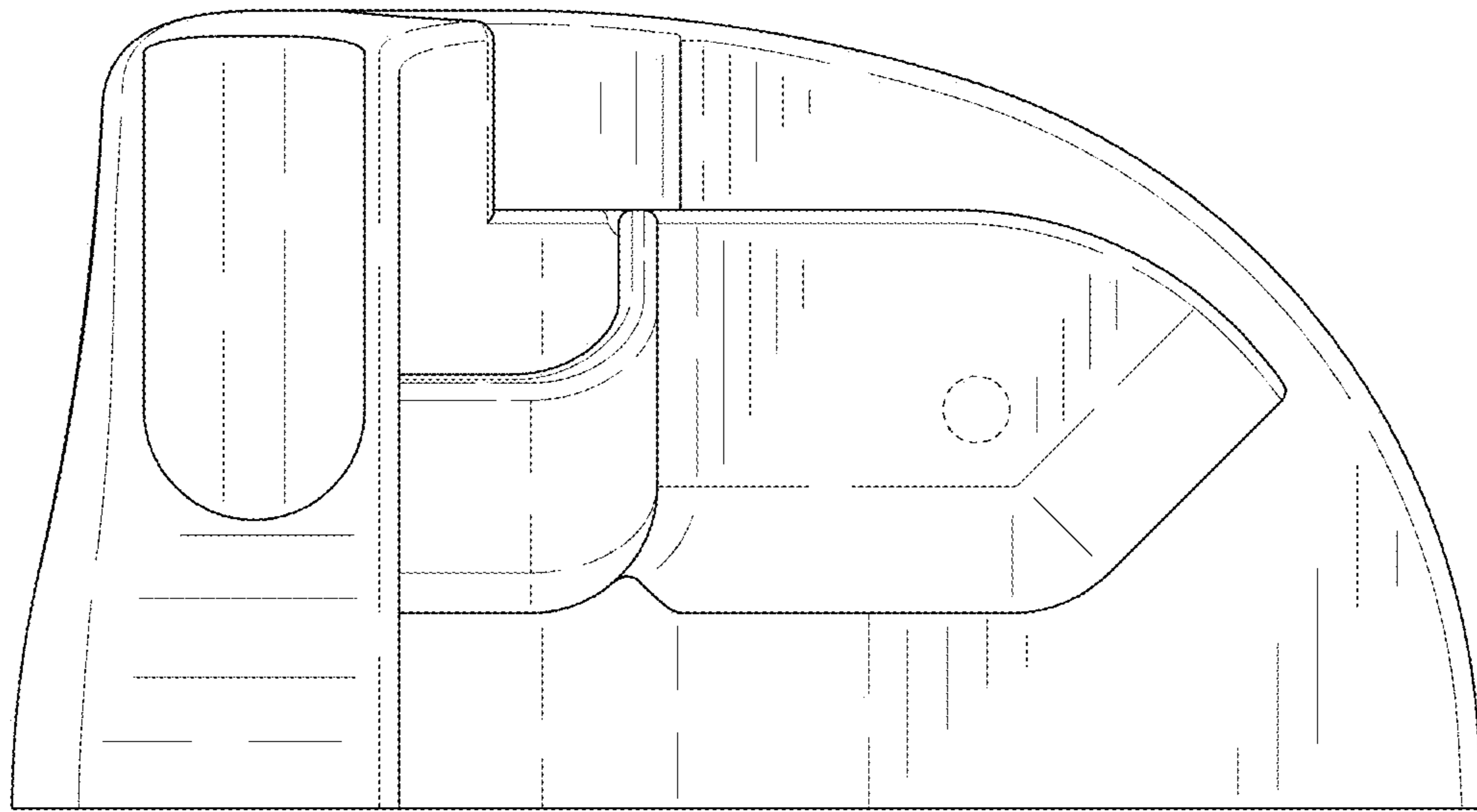


FIG. 4

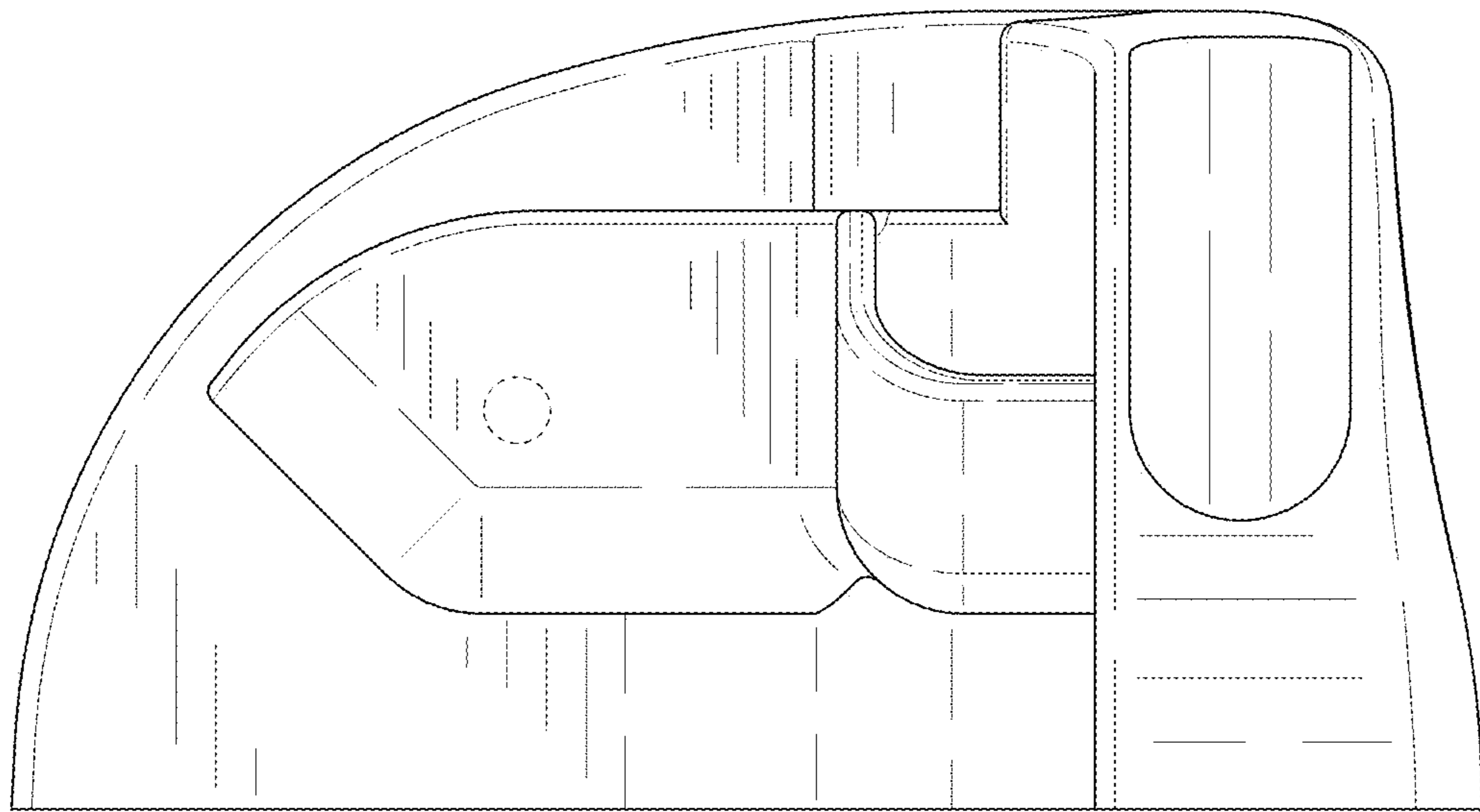


FIG. 5

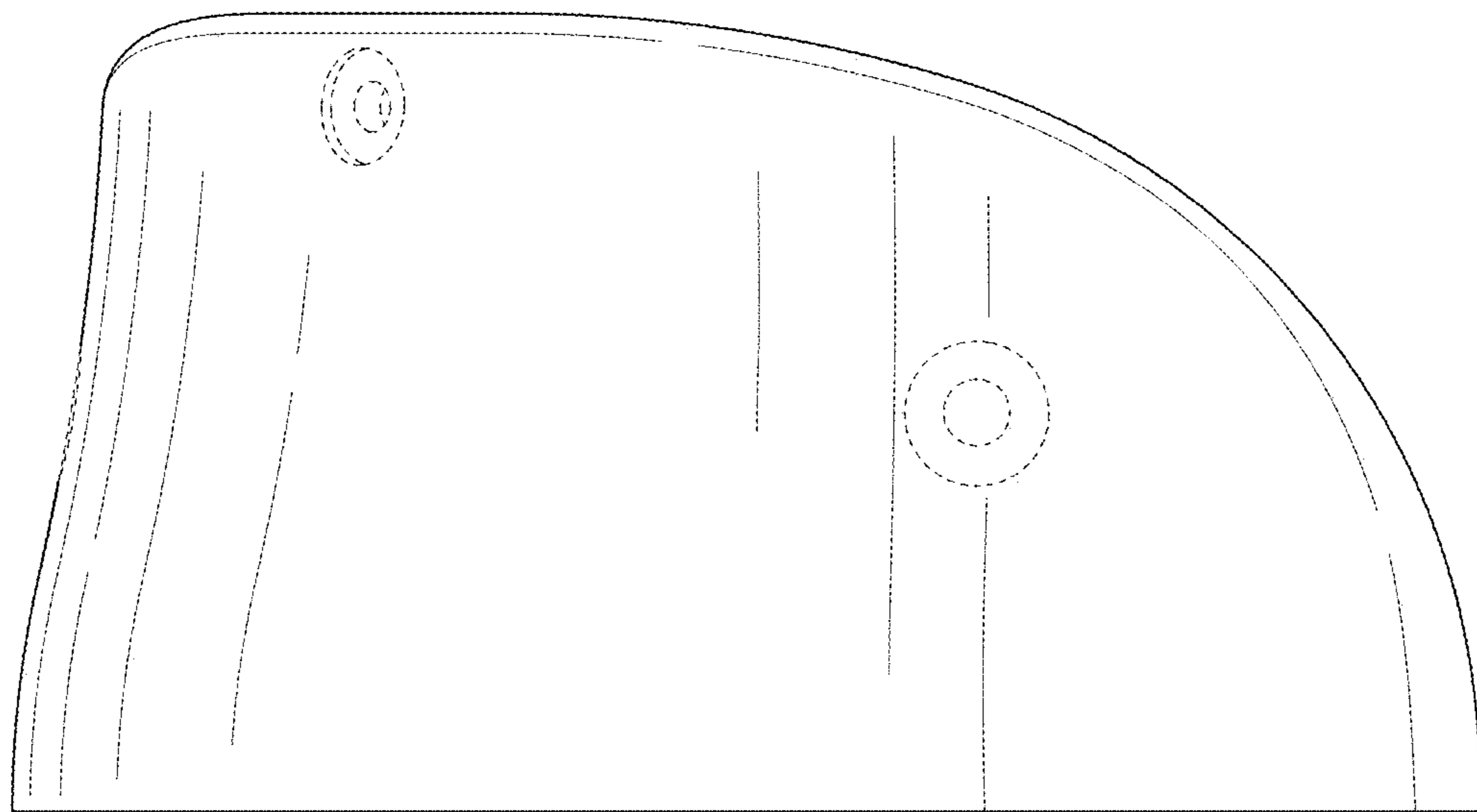


FIG. 6

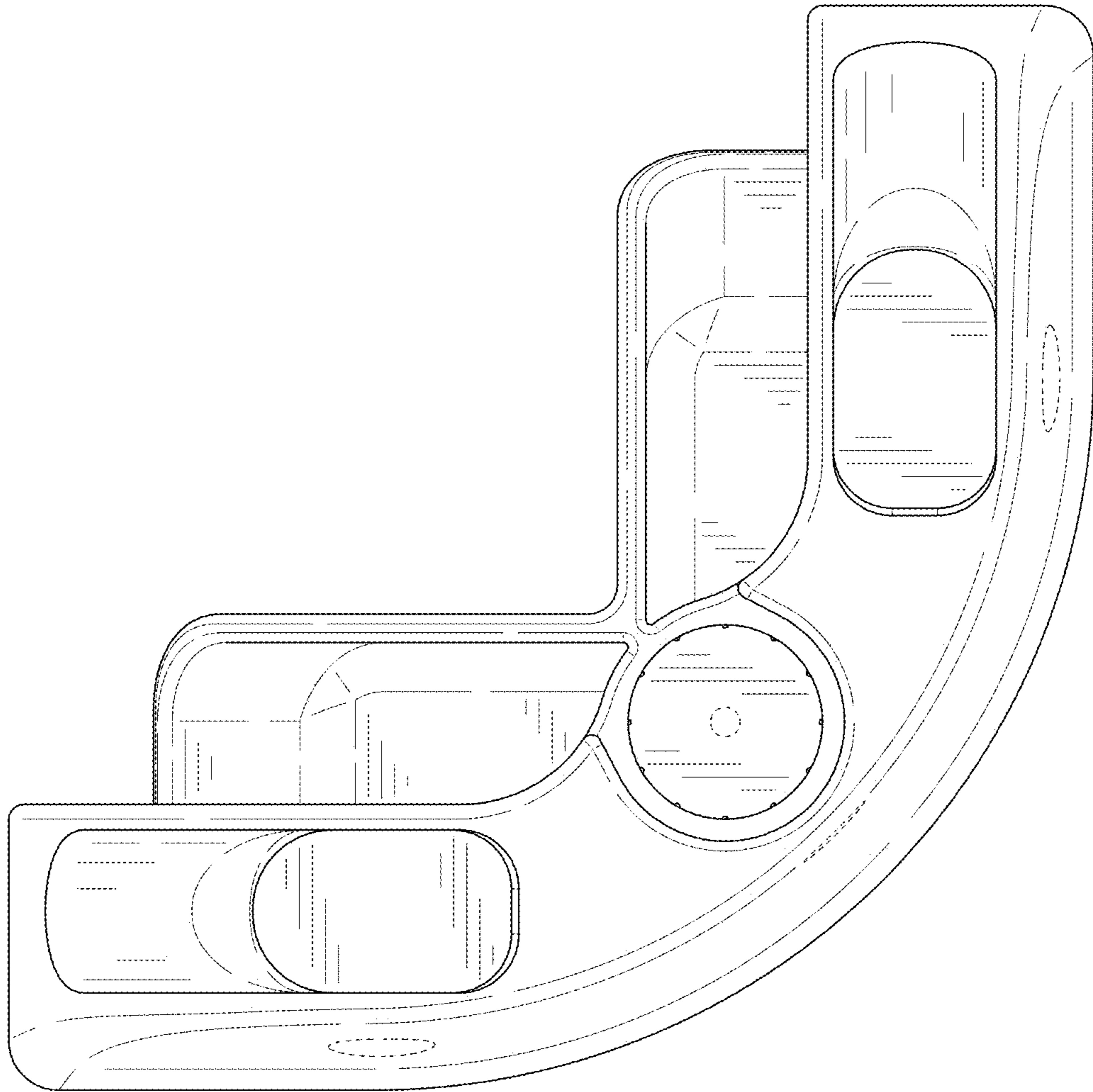


FIG. 7

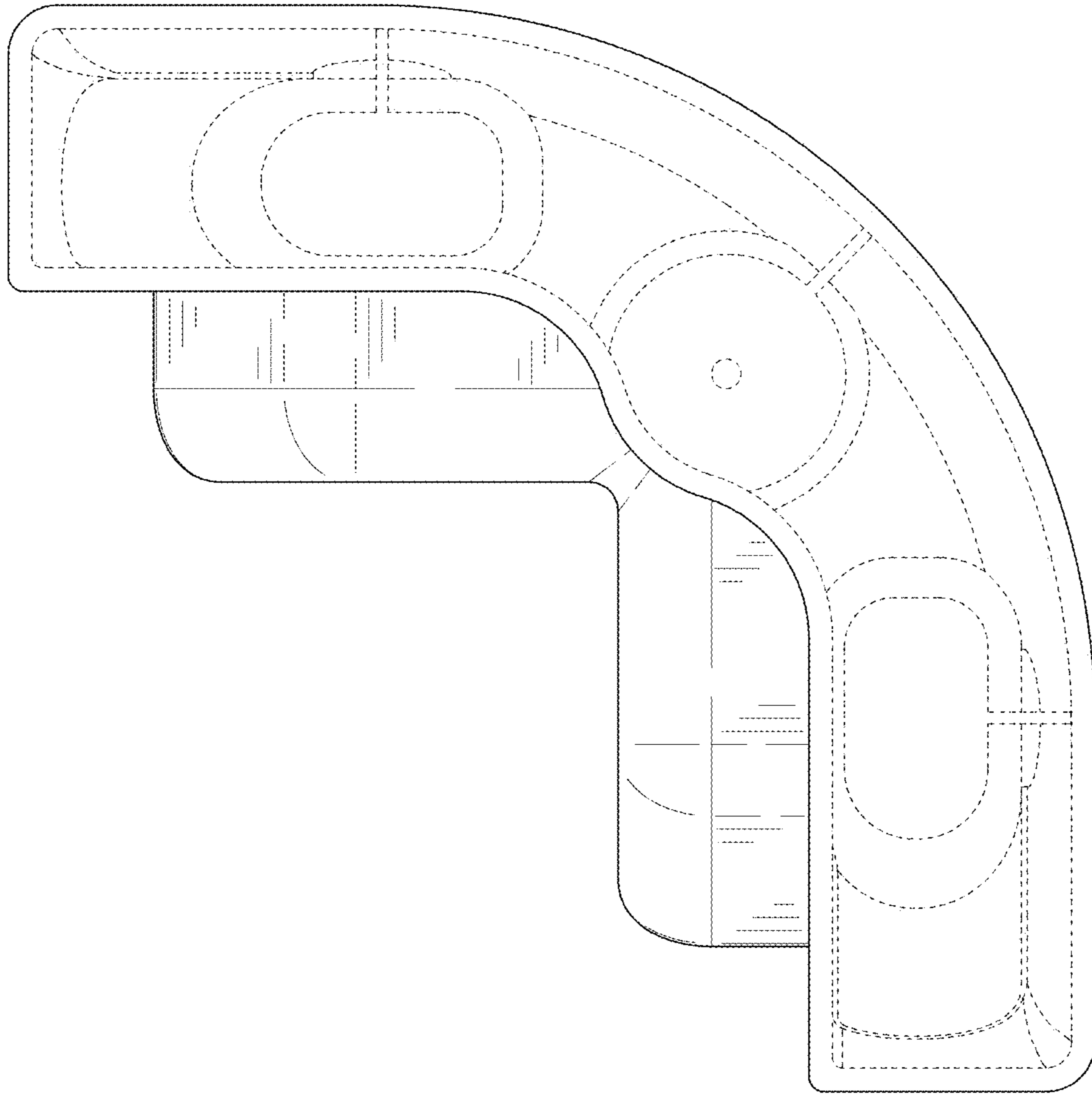


FIG. 8

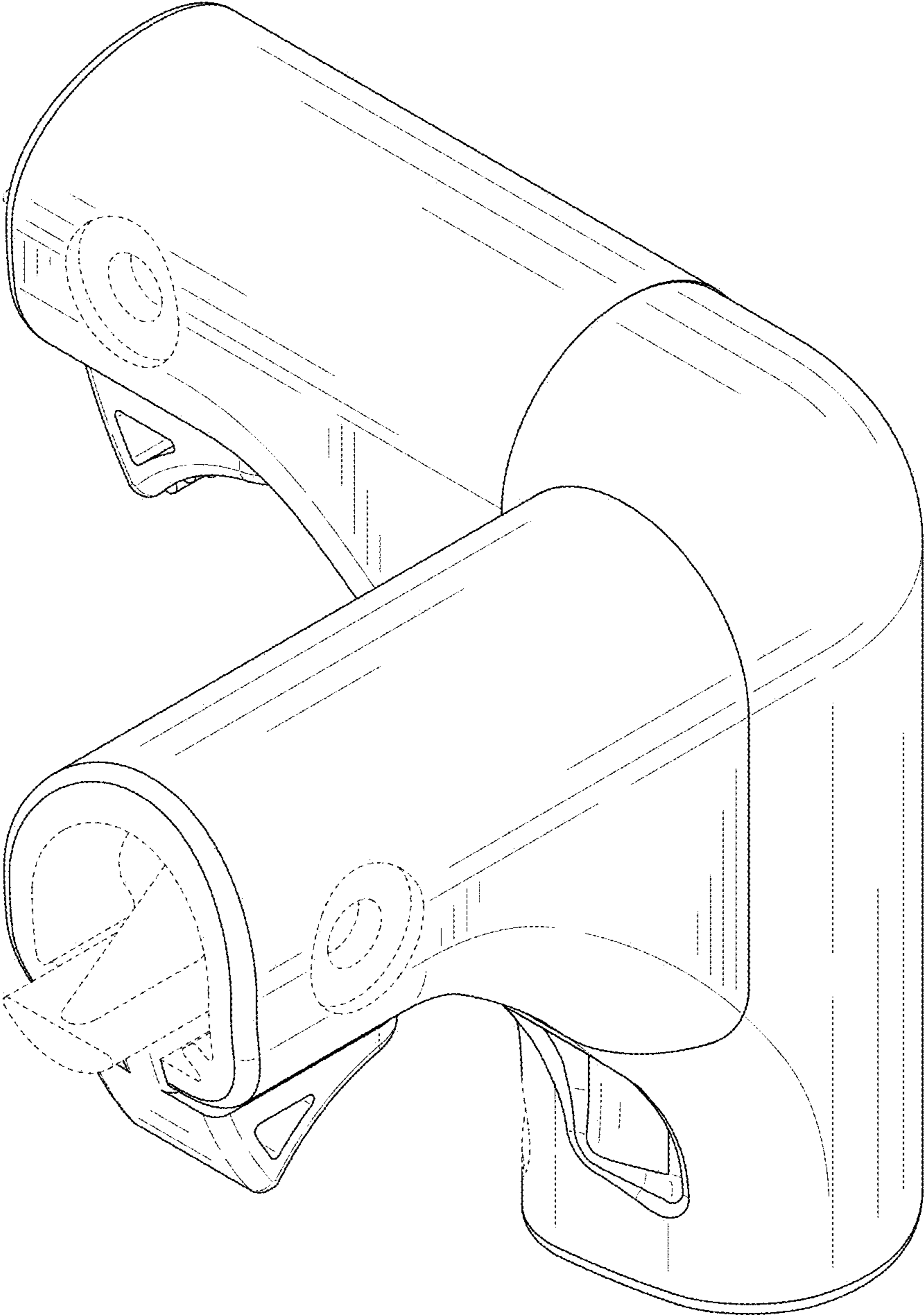


FIG. 9

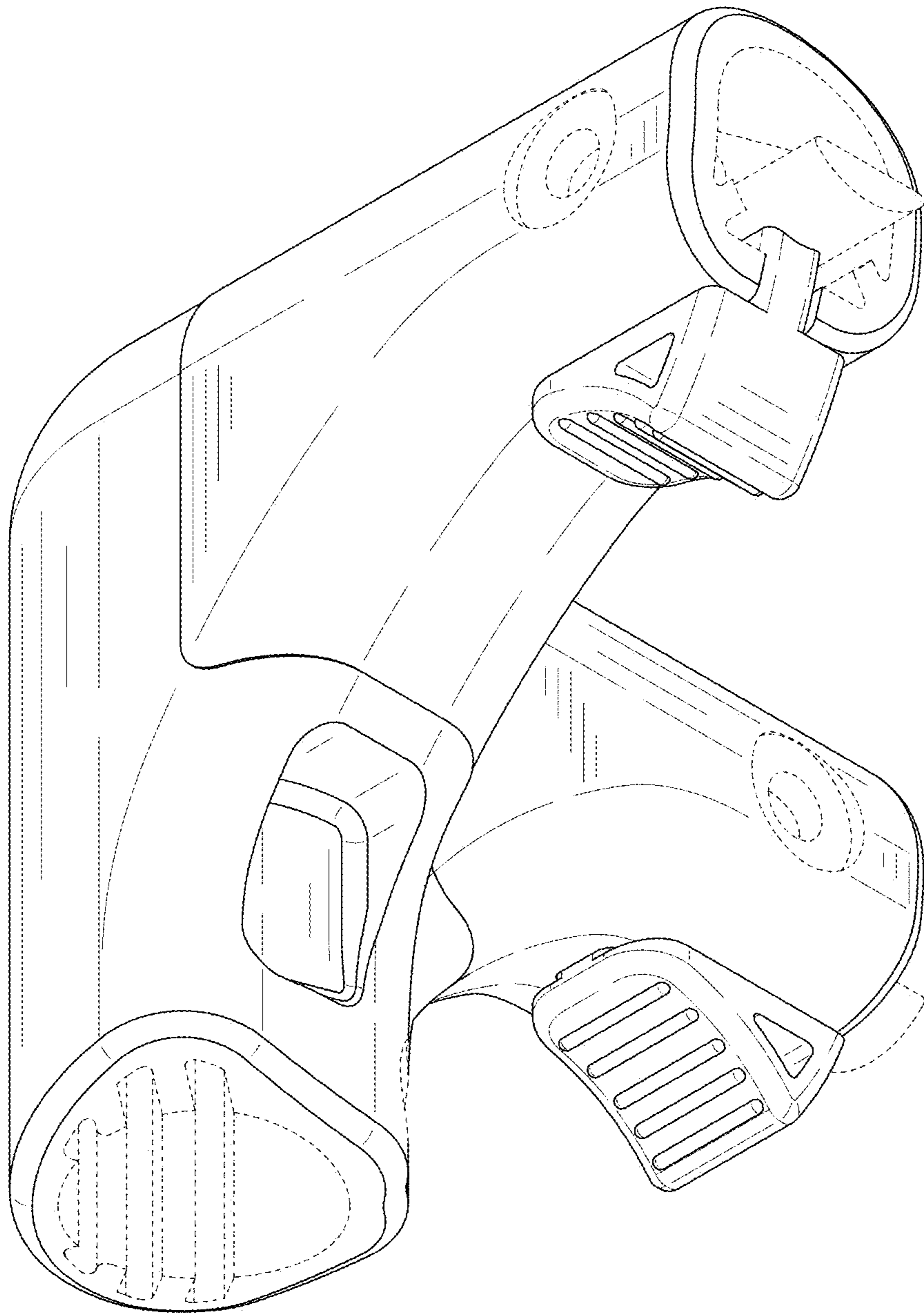


FIG. 10

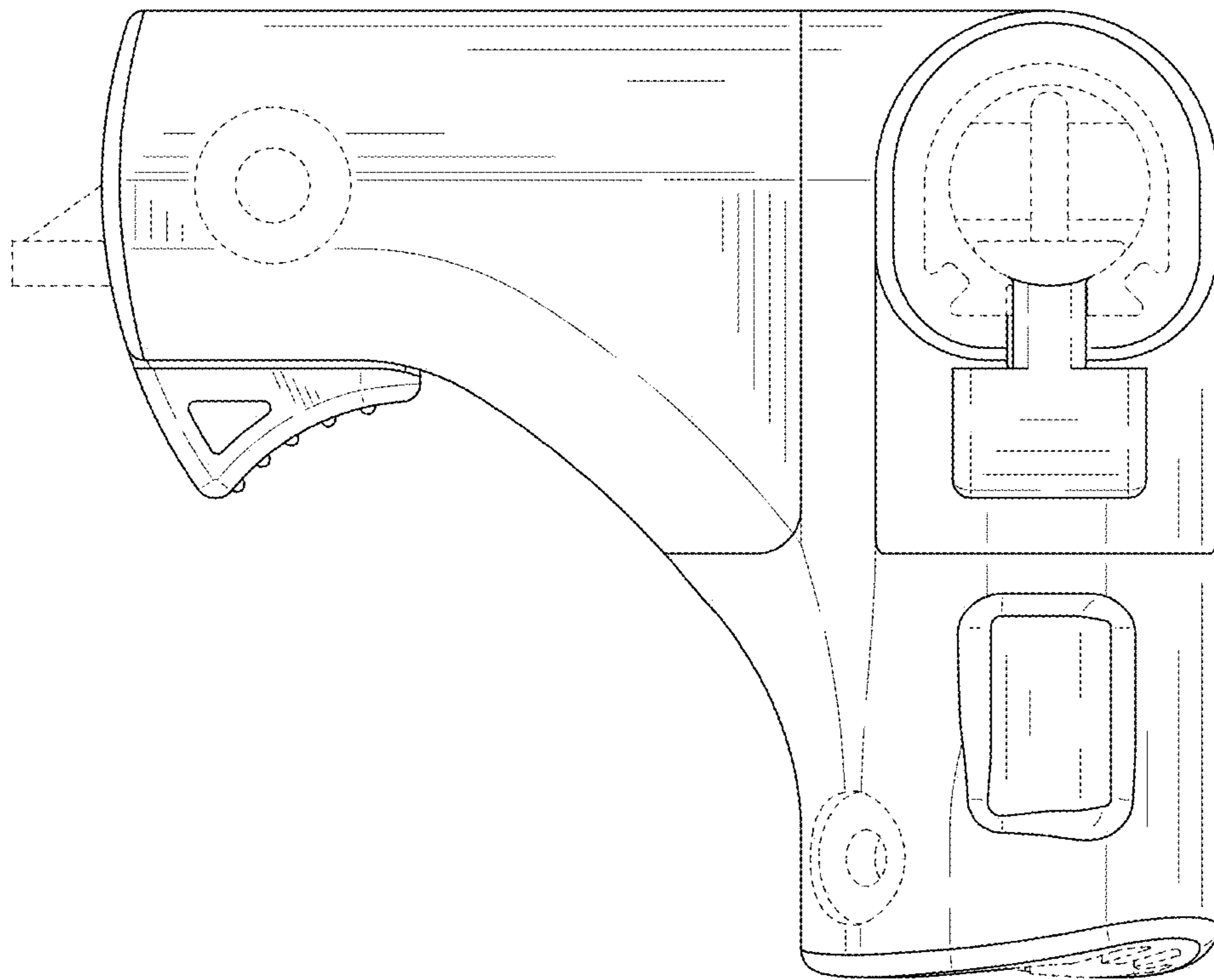


FIG. 11

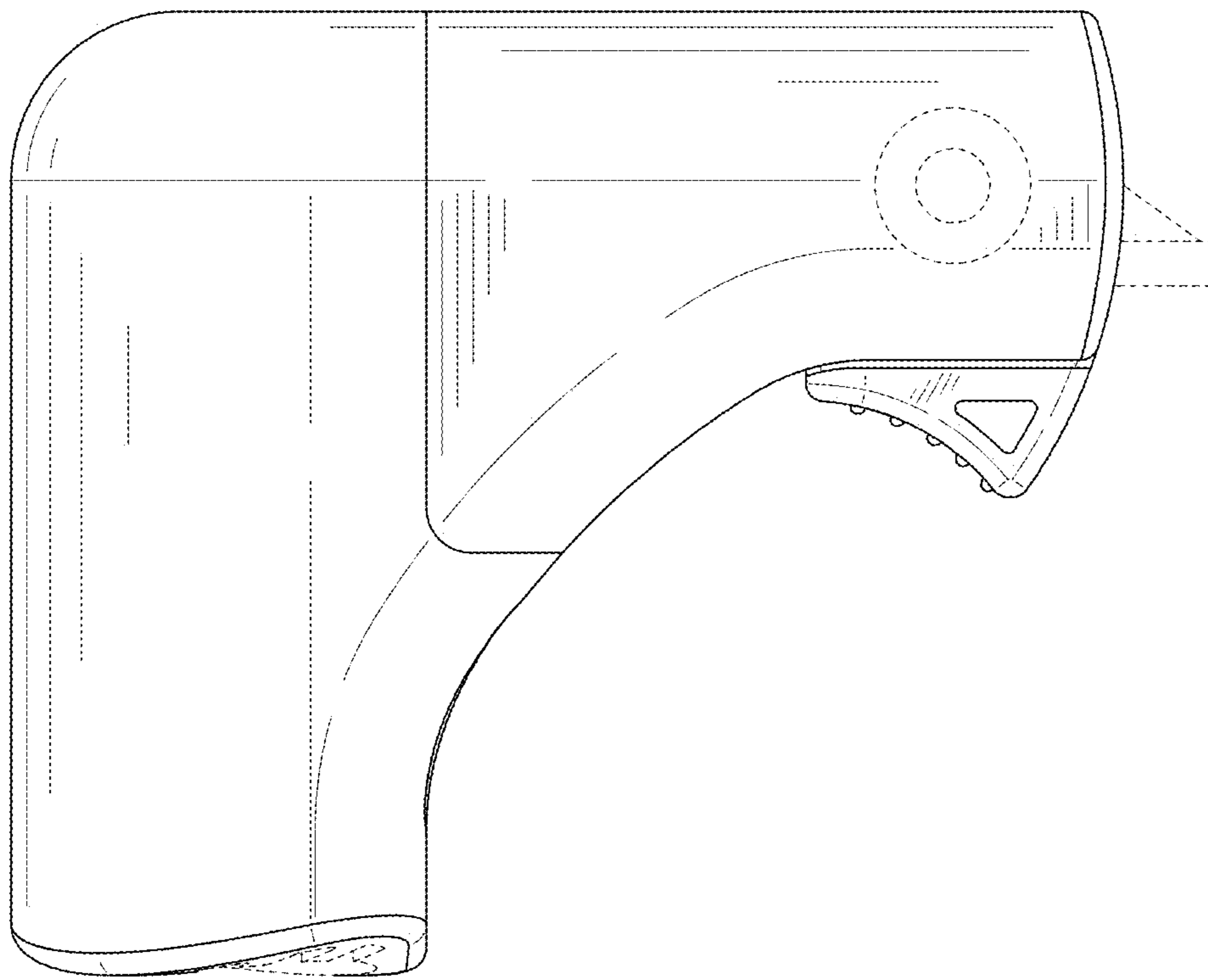


FIG. 12

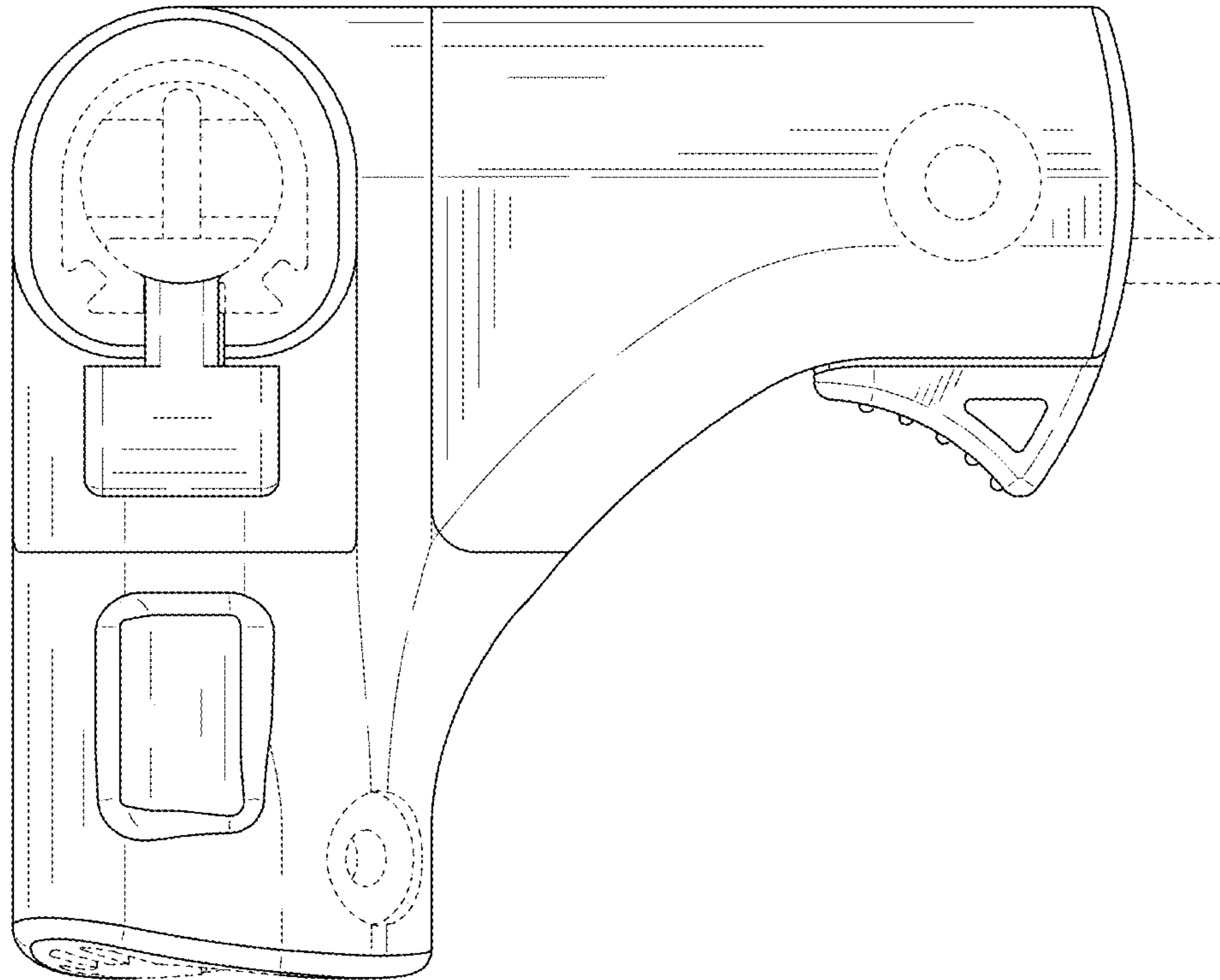


FIG. 13

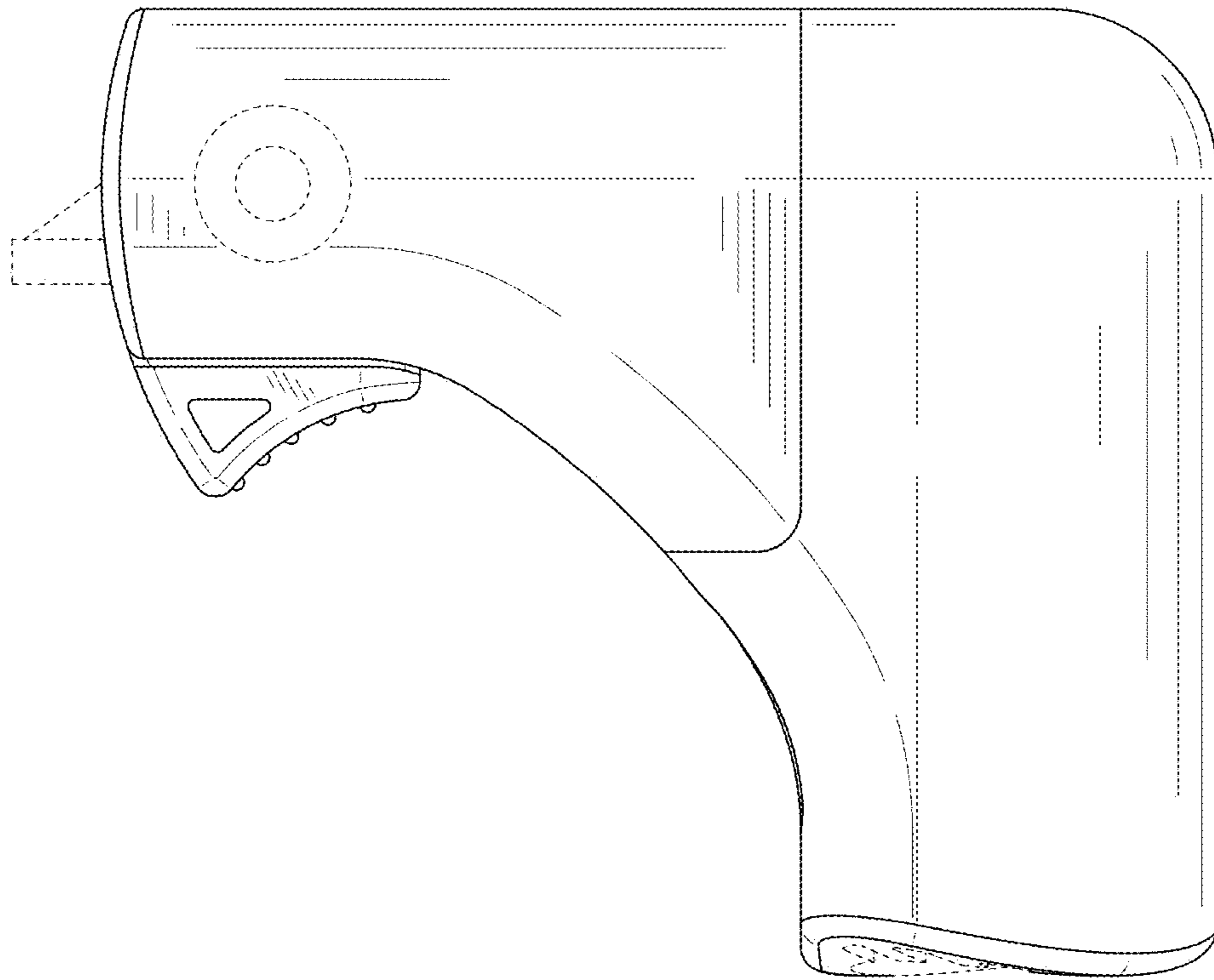


FIG. 14

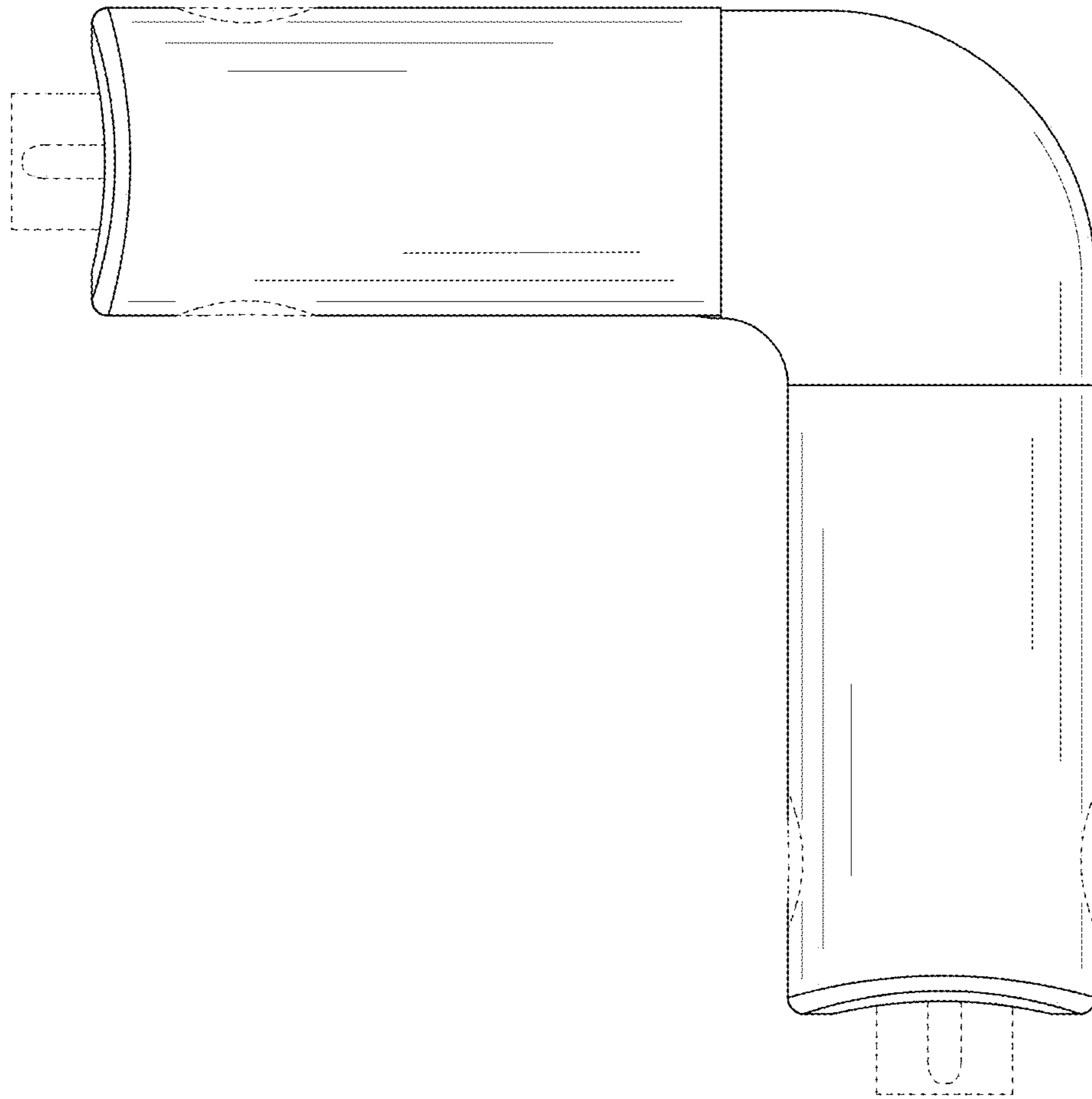


FIG. 15

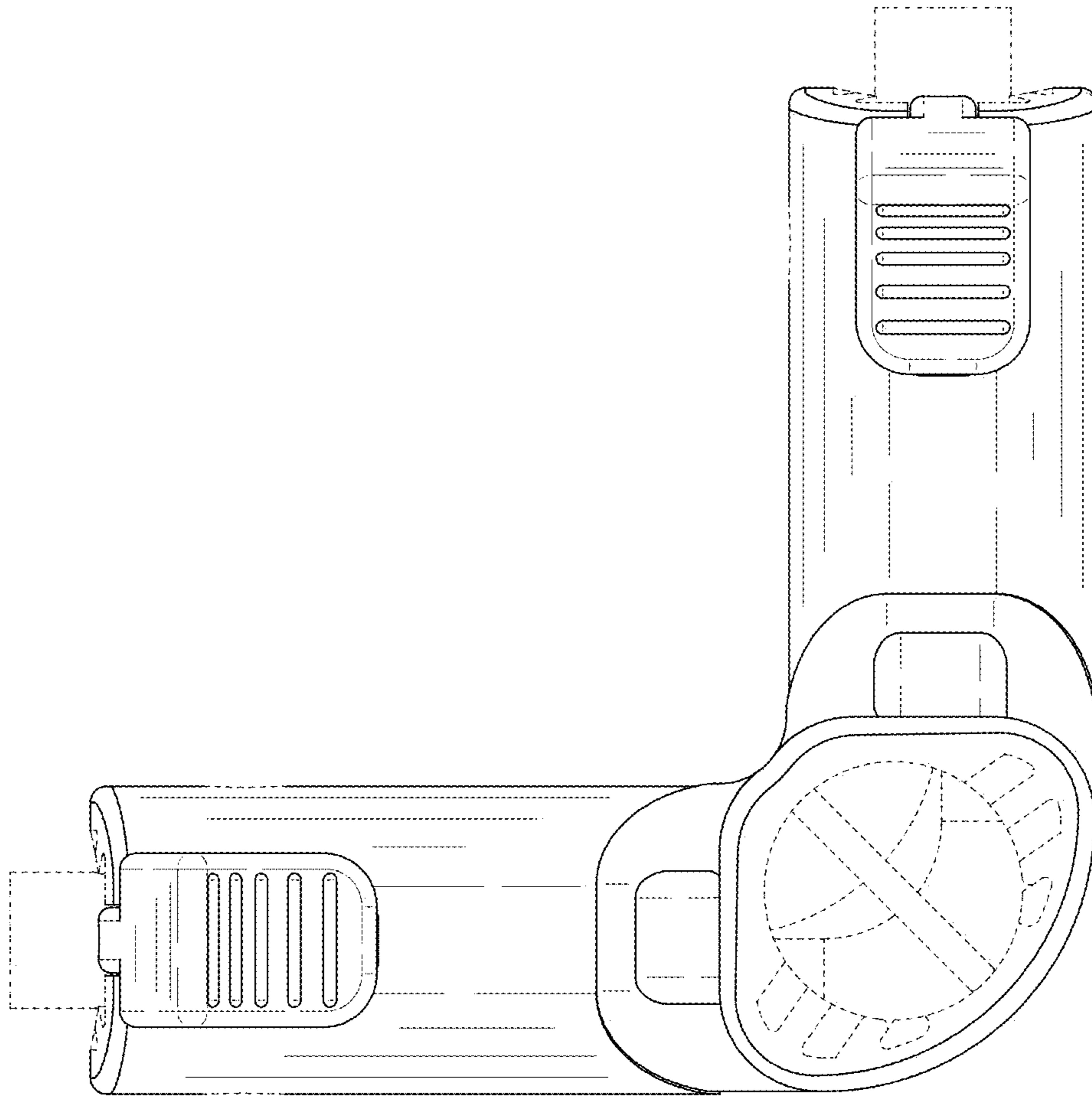


FIG. 16

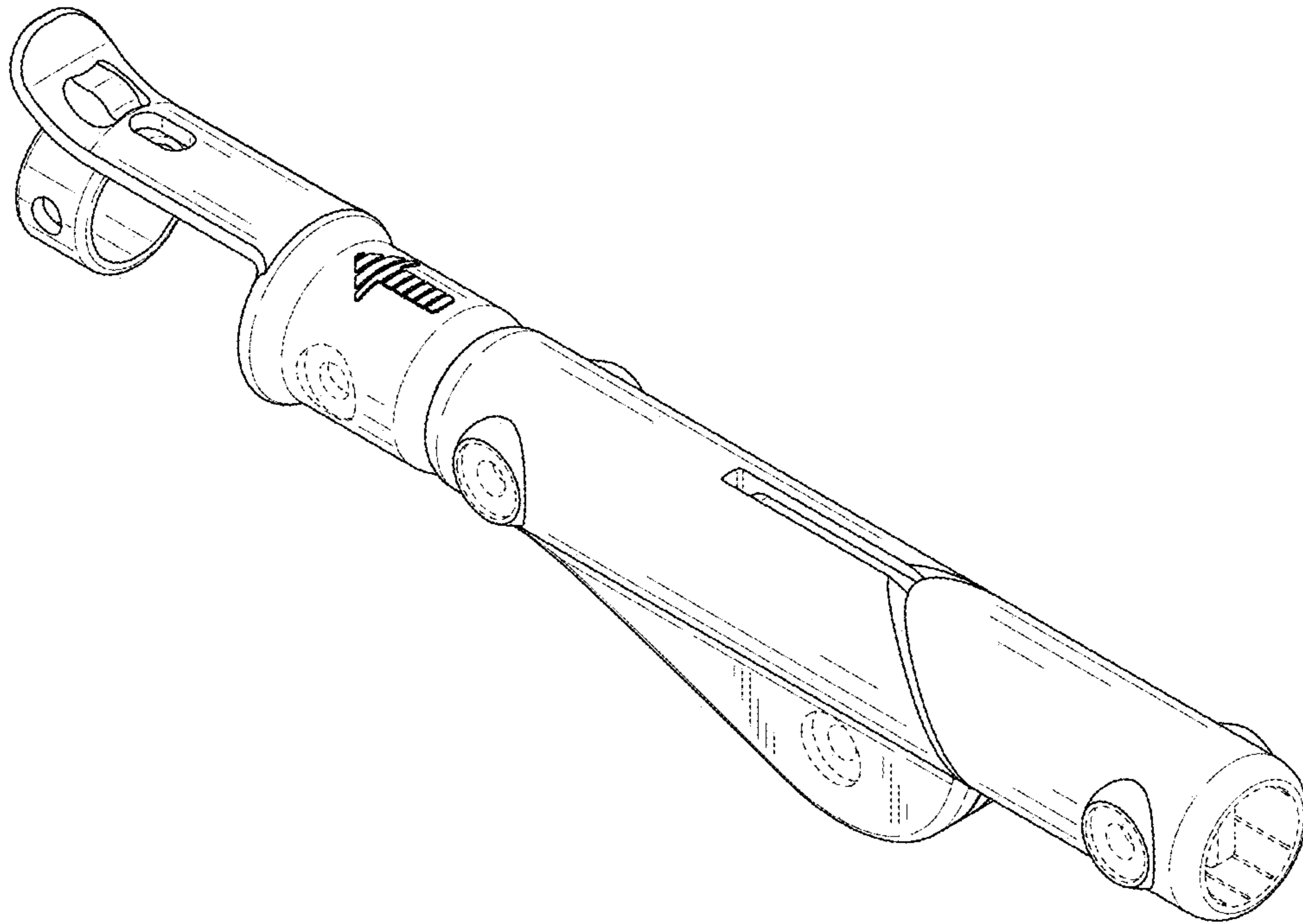


FIG. 17

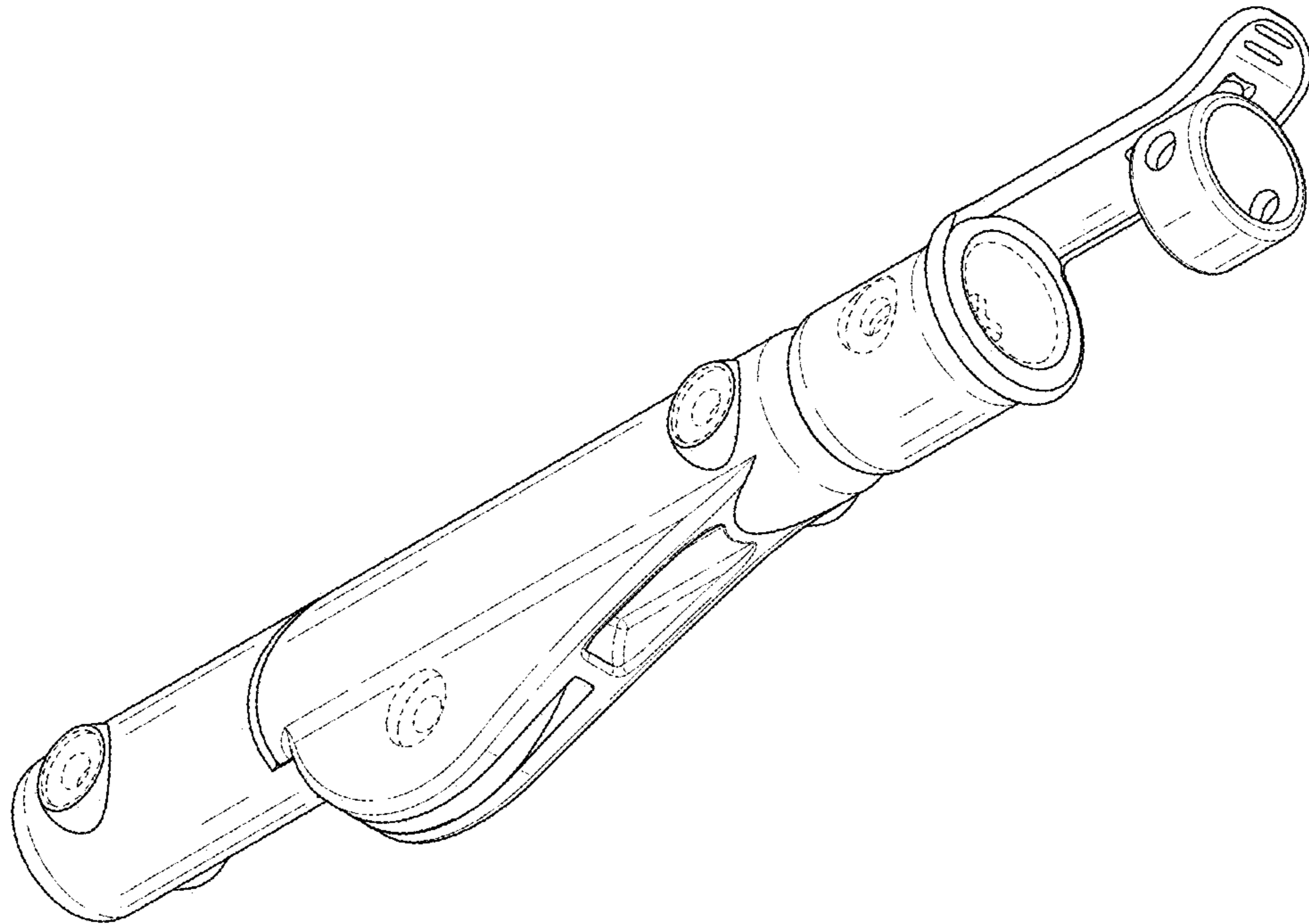


FIG. 18

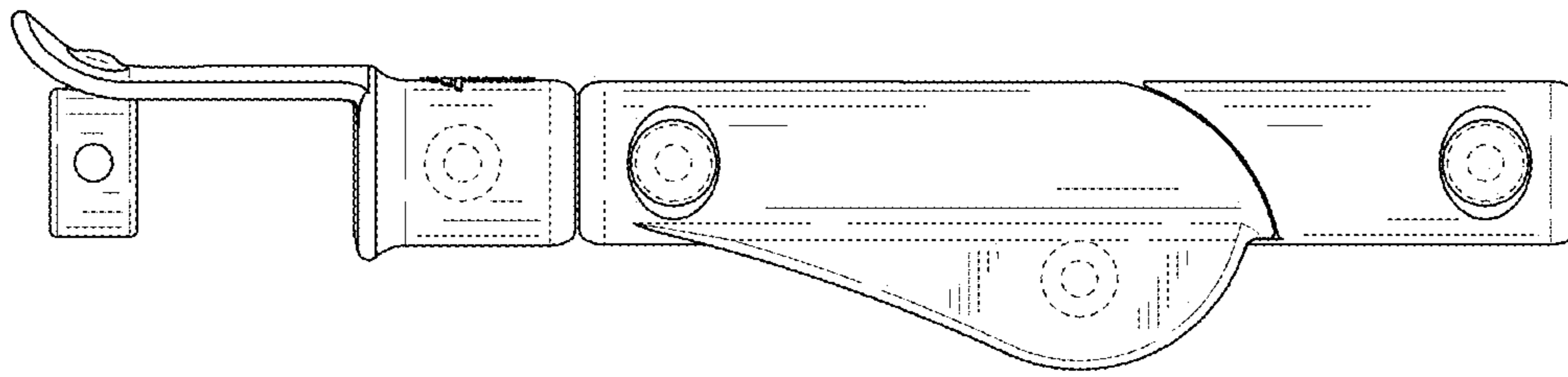


FIG. 19

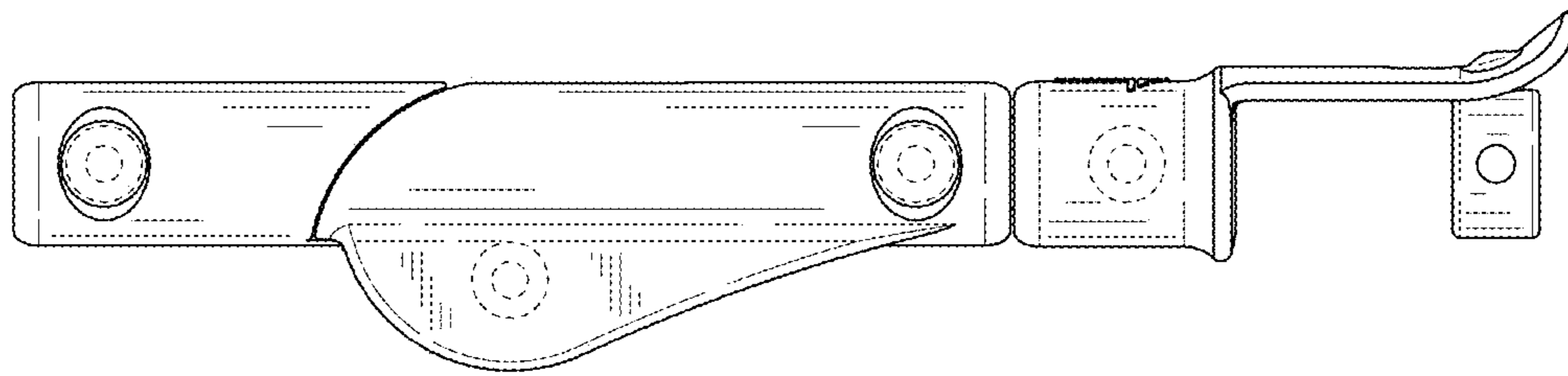


FIG. 20

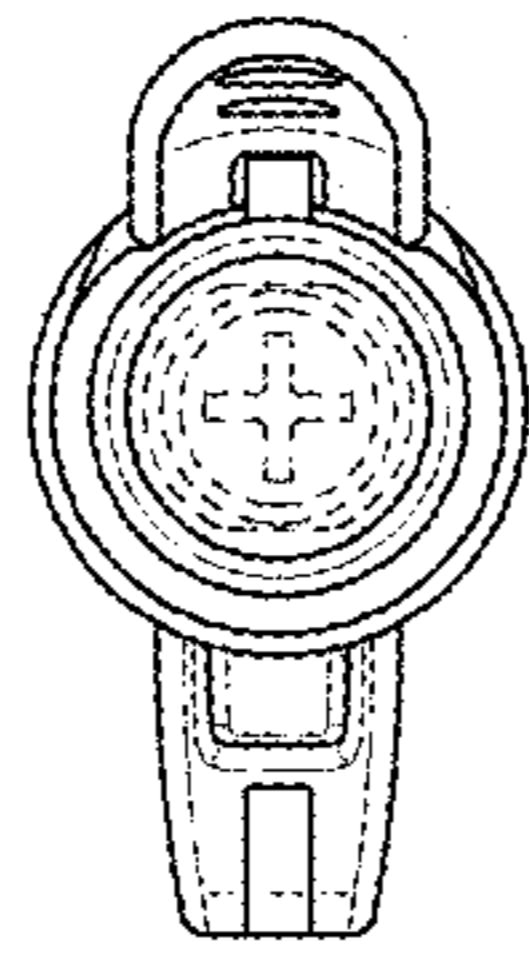


FIG. 21

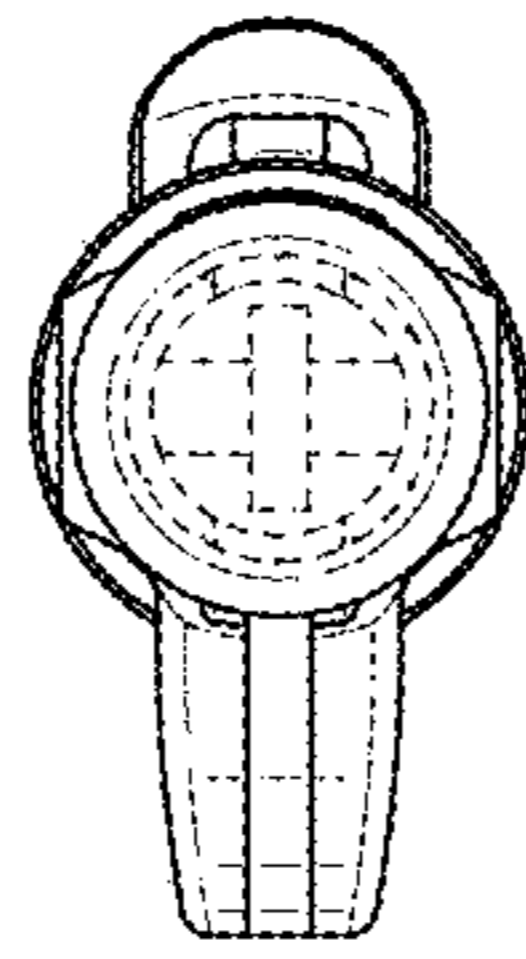


FIG. 22

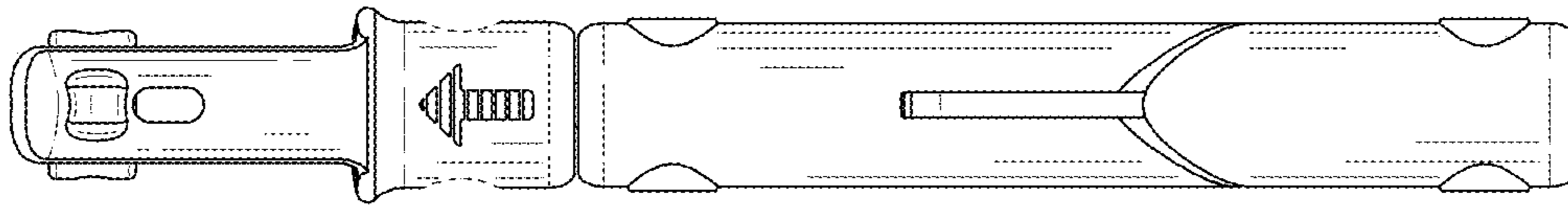


FIG. 23

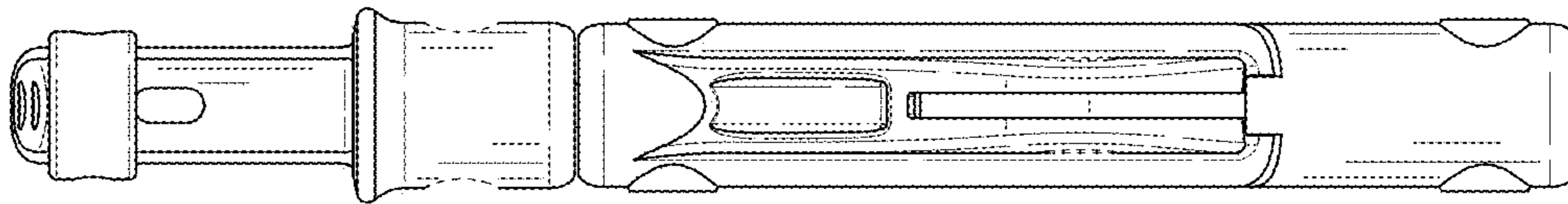


FIG. 24

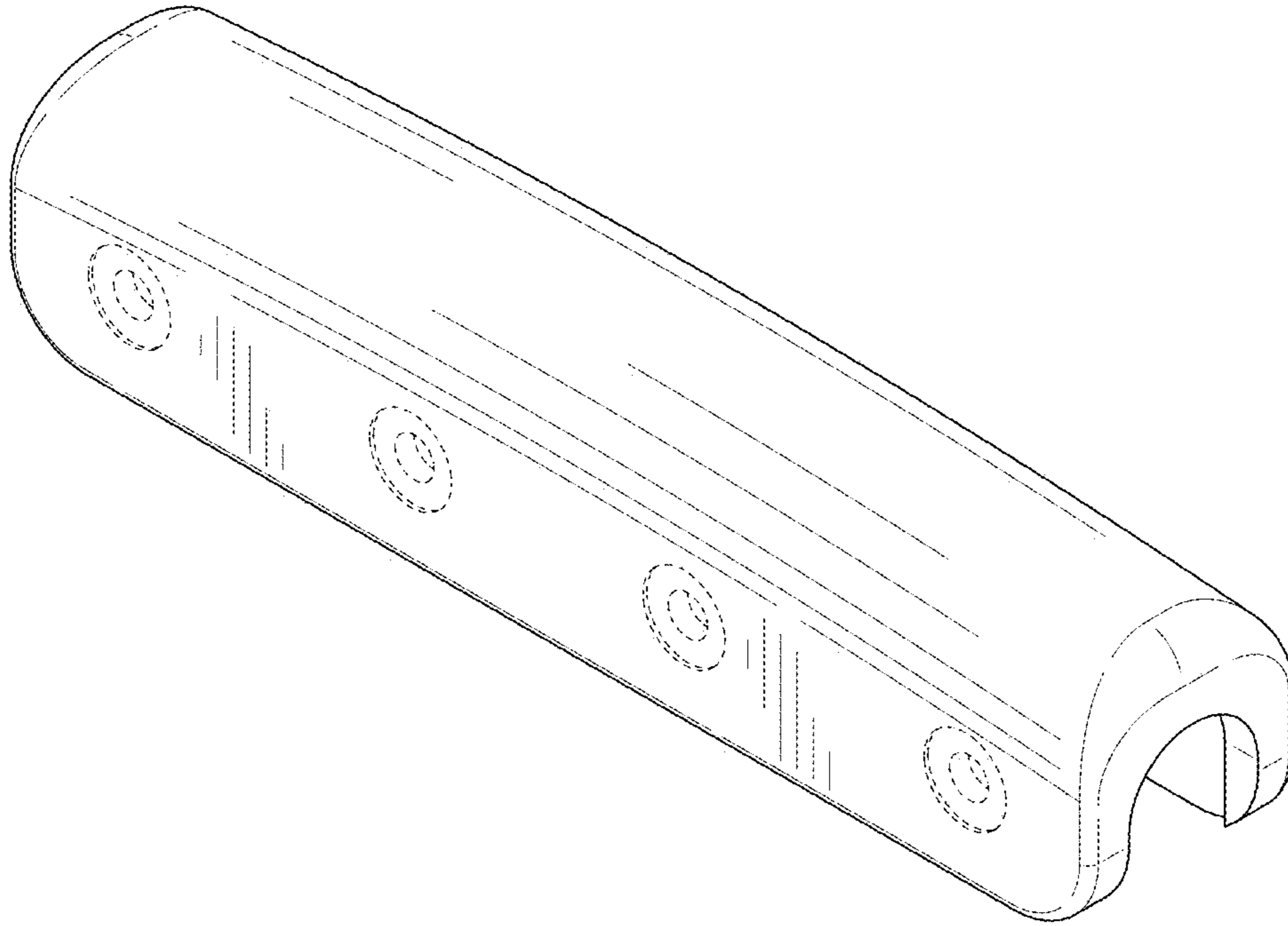


FIG. 25

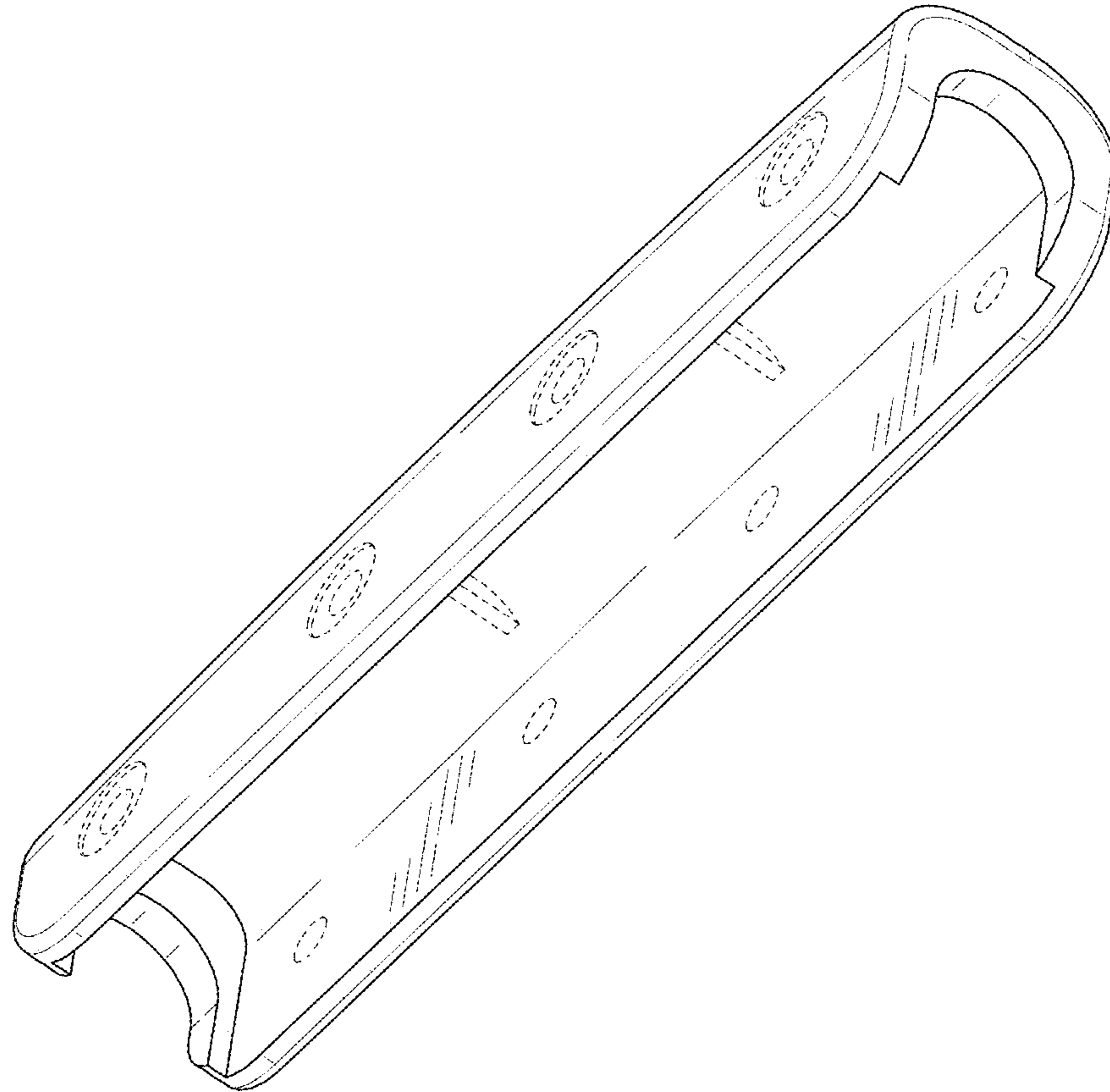


FIG. 26

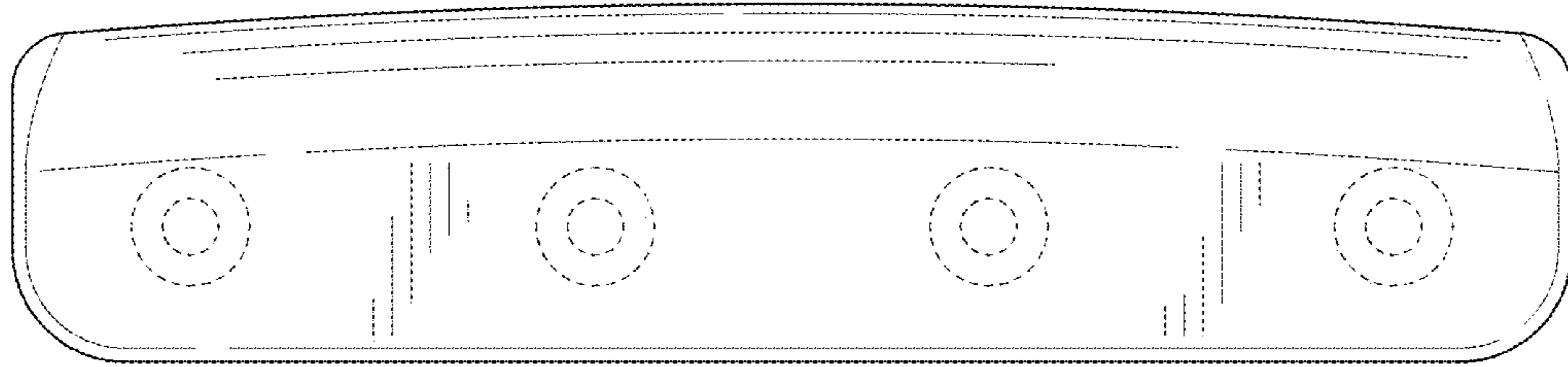


FIG. 27

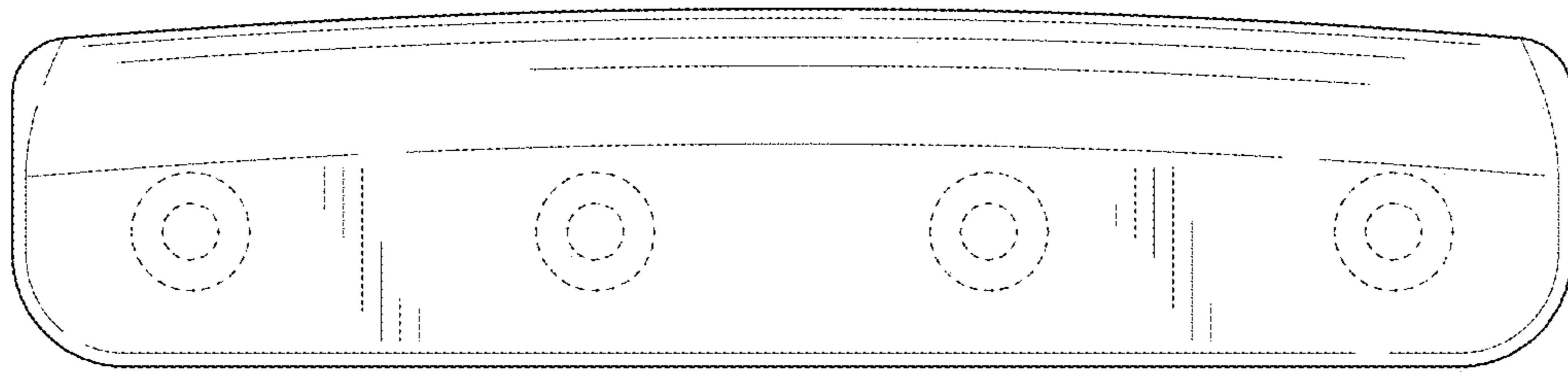


FIG. 28

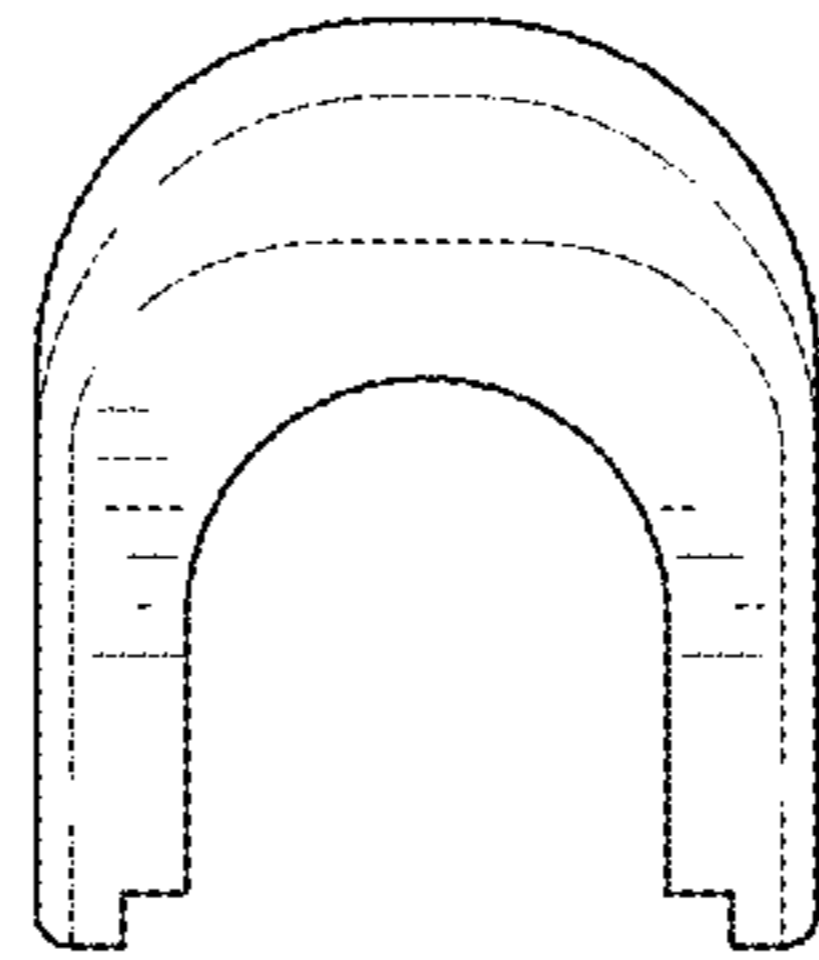


FIG. 29

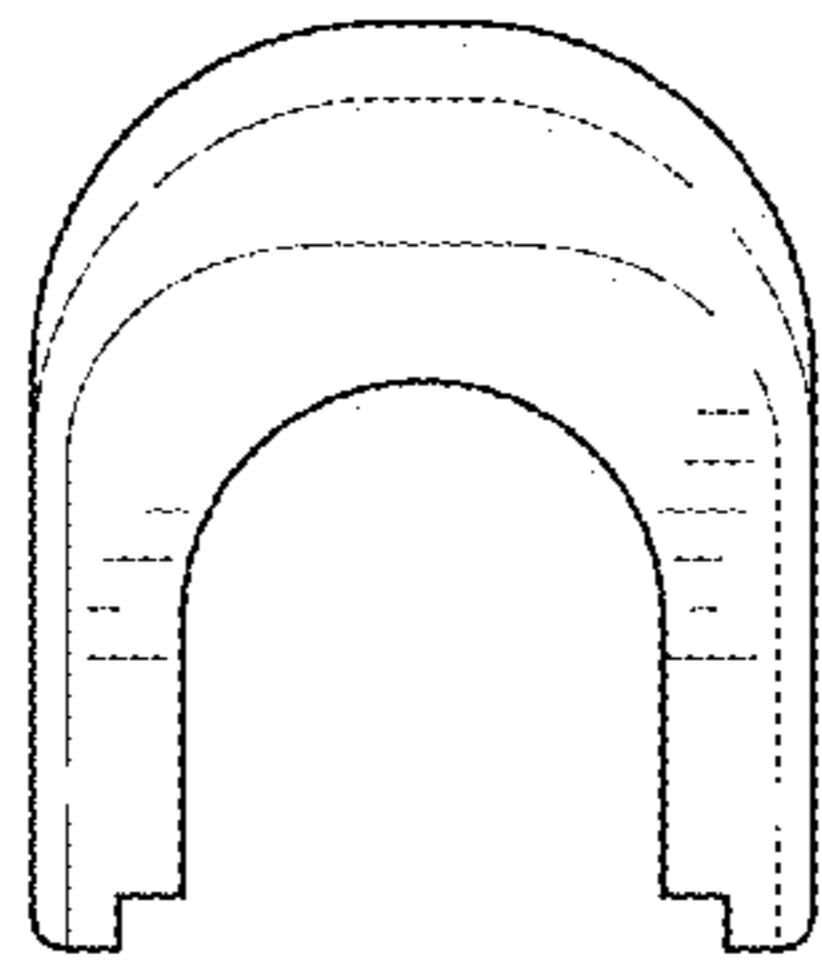


FIG. 30

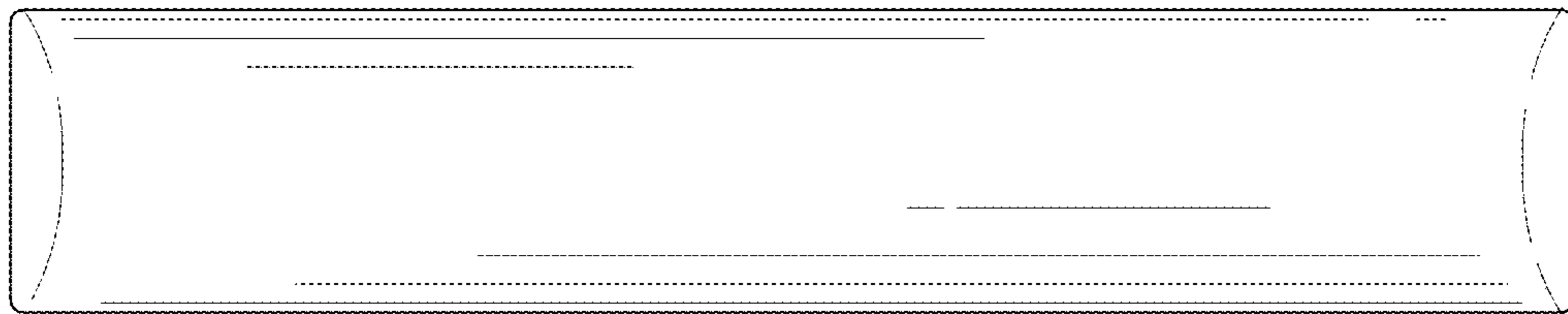


FIG. 31

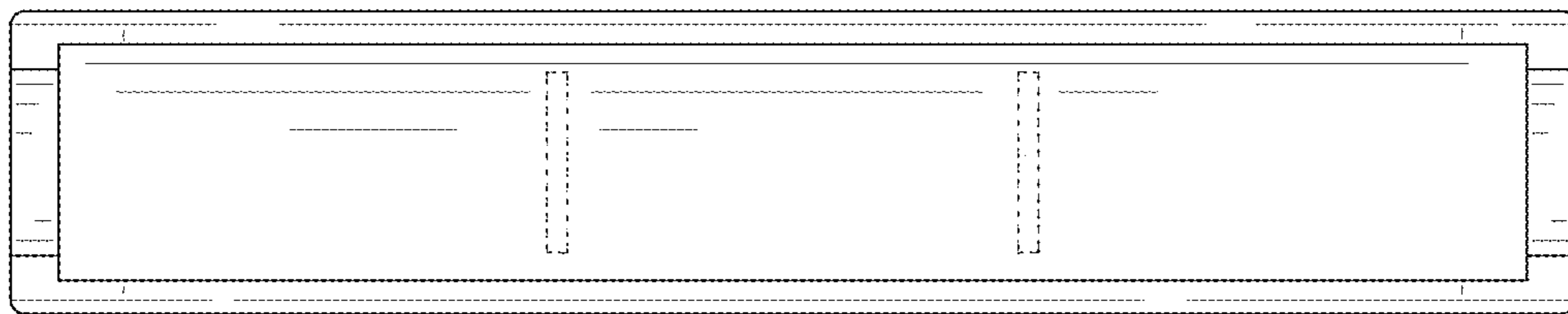


FIG. 32

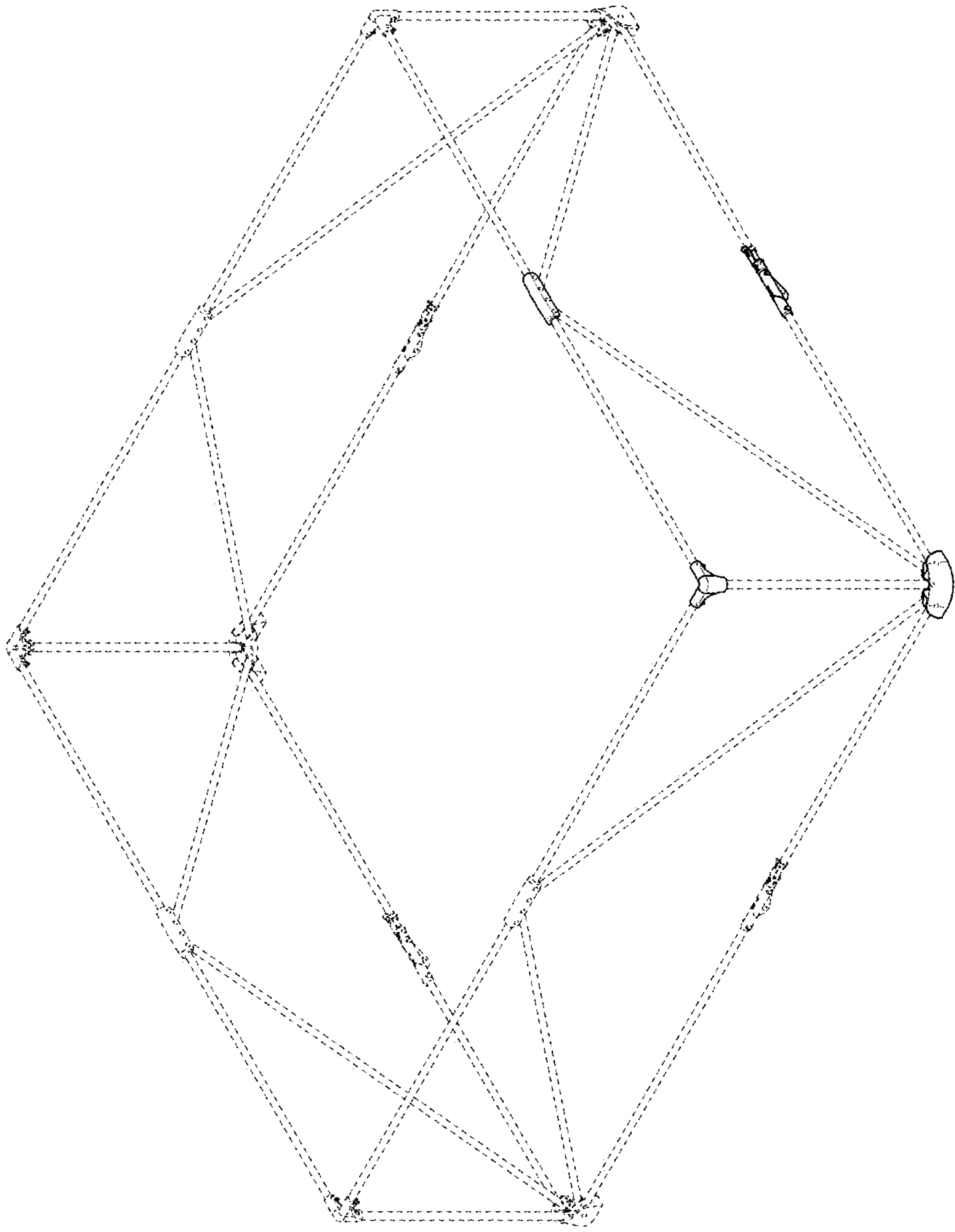


FIG. 33