



US00D965179S

(12) **United States Design Patent** (10) **Patent No.:** **US D965,179 S**
Guo (45) **Date of Patent:** **** Sep. 27, 2022**

(54) **LIGHTING CHAIN**
(71) Applicant: **Shenzhen Create Future International Trading Company, Shenzhen (CN)**
(72) Inventor: **Hui Guo, Shenzhen (CN)**
(**) Term: **15 Years**
(21) Appl. No.: **29/781,904**
(22) Filed: **May 3, 2021**
(51) **LOC (13) Cl.** **26-04**
(52) **U.S. Cl.**
USPC **D25/25**
(58) **Field of Classification Search**
USPC D26/2, 4, 25, 43, 75, 86, 87
CPC F21S 4/00; F21S 4/10; F21S 4/15; F21S 4/20; F21S 4/22; F21S 4/24; F21S 4/26; F21S 4/001; F21S 4/002; F21S 4/003; F21S 10/00; F21S 10/02; F21S 10/06; F21W 2131/00; F21W 2131/04; F21W 2131/004; F21V 21/00; F21V 21/08
See application file for complete search history.

(56) **References Cited**
U.S. PATENT DOCUMENTS
5,669,707 A * 9/1997 Huang F21S 4/10 362/396
5,957,568 A * 9/1999 Byers F21V 21/0824 362/249.11
D439,991 S * 4/2001 Wong D11/117
D439,992 S * 4/2001 Wong D26/25
8,491,168 B2 * 7/2013 Cooper F16B 2/245 362/396
D833,666 S 11/2018 Orozco
D889,696 S * 7/2020 Cao D26/25
D910,216 S * 2/2021 Liu D26/25
D914,253 S * 3/2021 Kuang D26/25
D917,741 S * 4/2021 Kuang D26/25

D930,194 S * 9/2021 Zhang D26/25
D937,449 S * 11/2021 Quan D26/25
D938,627 S * 12/2021 Li D26/25
D940,358 S * 1/2022 Xiong D26/25
D940,359 S * 1/2022 Yang D26/25
D940,921 S * 1/2022 Yin D26/25
D941,507 S * 1/2022 Du D26/25
D947,423 S * 3/2022 Hu D26/25
D952,199 S * 5/2022 Xu D26/25
2016/0348871 A1 * 12/2016 Harris F21S 4/10
2017/0030534 A1 * 2/2017 Pan F21S 4/10

* cited by examiner

Primary Examiner — Wan Laymon
Assistant Examiner — Clint A Samuel

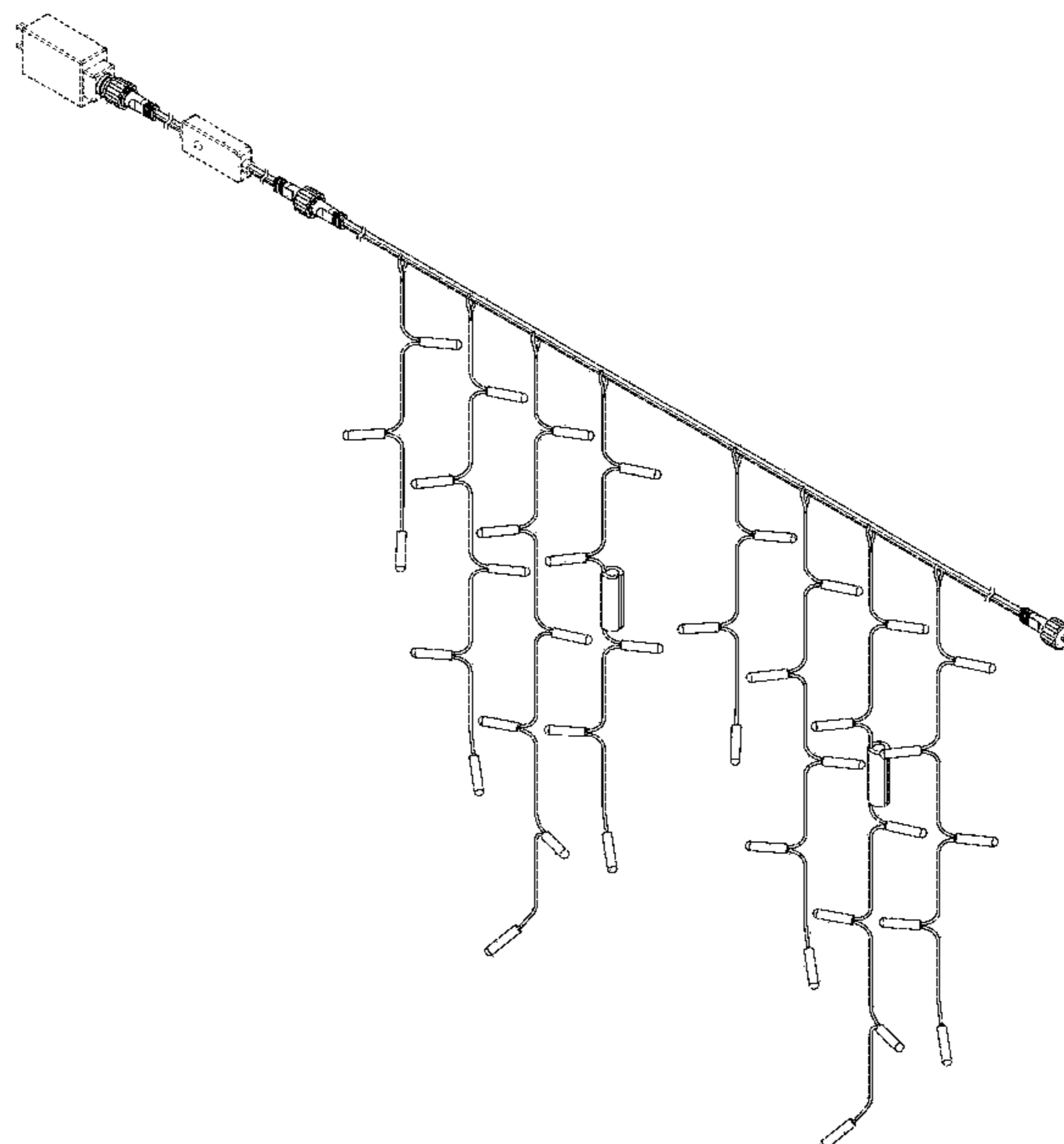
(57) **CLAIM**

The ornamental design for a lighting chain, as shown and described.

DESCRIPTION

FIG. 1 is a perspective view of a lighting chain showing the new design;
FIG. 2 is a front view thereof;
FIG. 3 is a rear view thereof;
FIG. 4 is a left-side view thereof;
FIG. 5 is a right-side view thereof;
FIG. 6 is a top view thereof;
FIG. 7 is a bottom view thereof; and,
FIG. 8 is a perspective view of a lighting chain shown in FIG. 1, with an enlarged view of a buckle component for illustrative purposes.
The broken lines showing in the drawings are included for the purpose of illustrating portions of the lighting chain and form no part of the claimed design.
The lighting chain is shown with symbolic breaks in its length. The appearance of any portion of the article between the break lines forms no part of the claimed design.

1 Claim, 6 Drawing Sheets



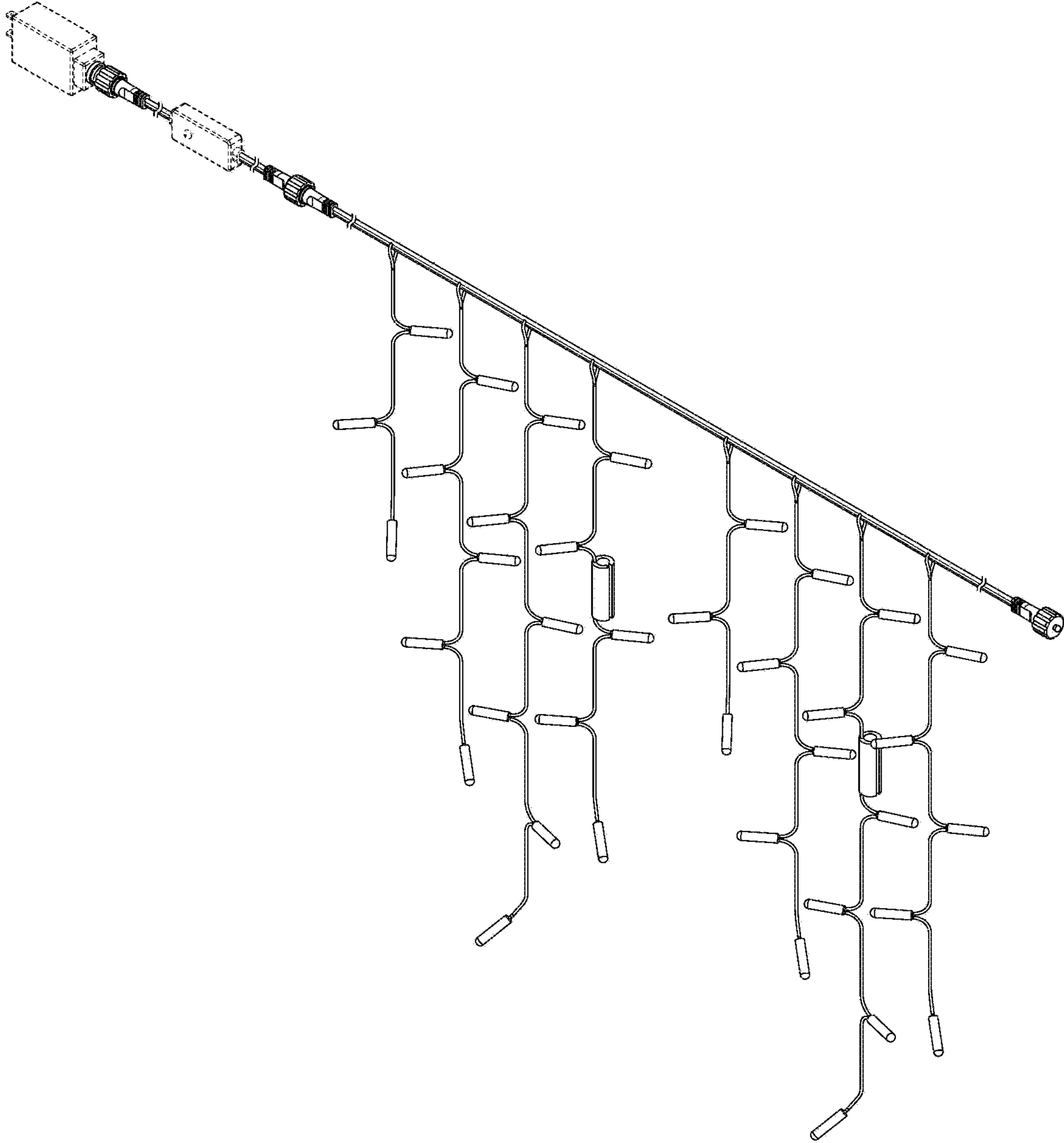


FIG. 1

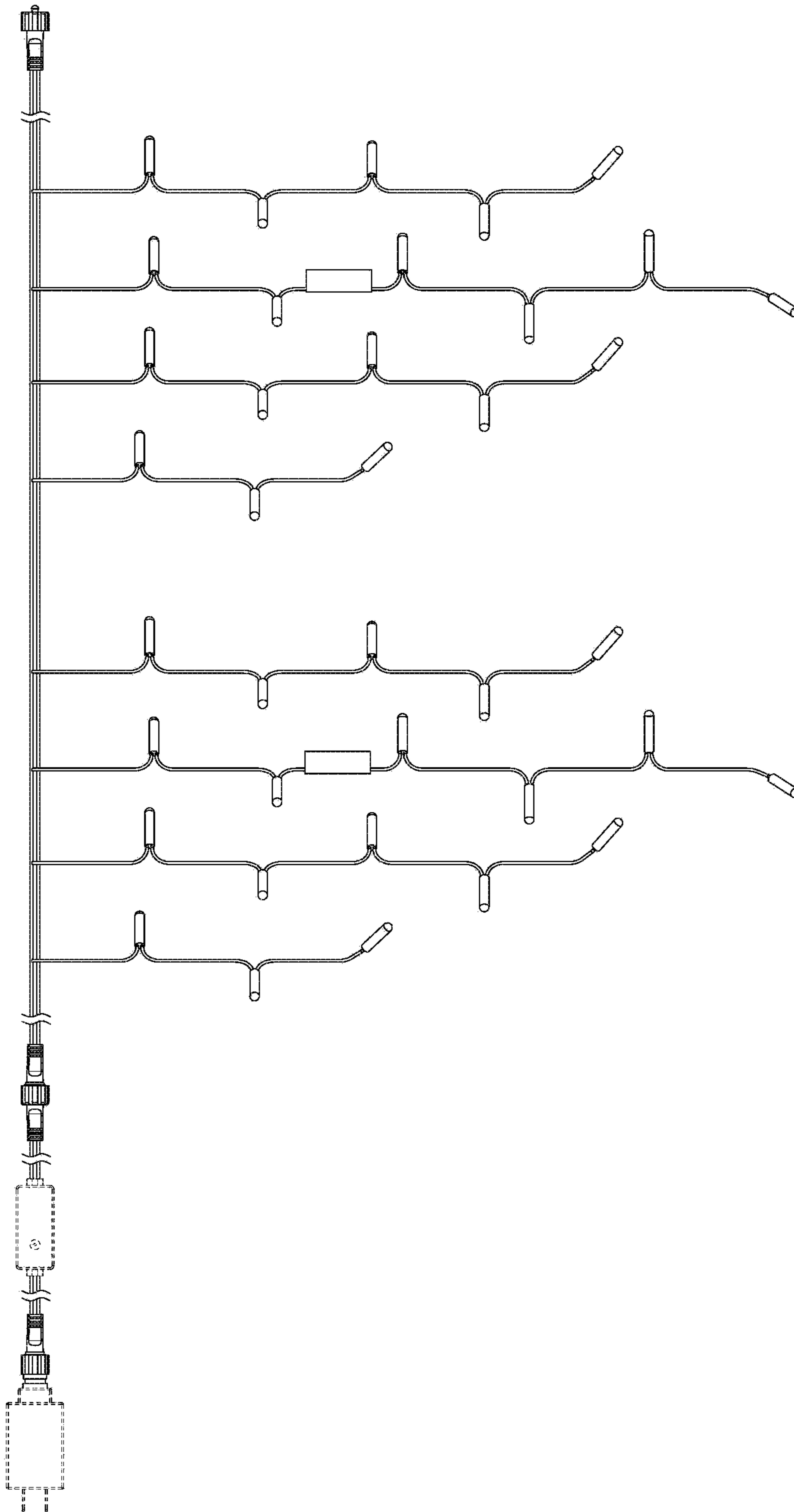


FIG. 2

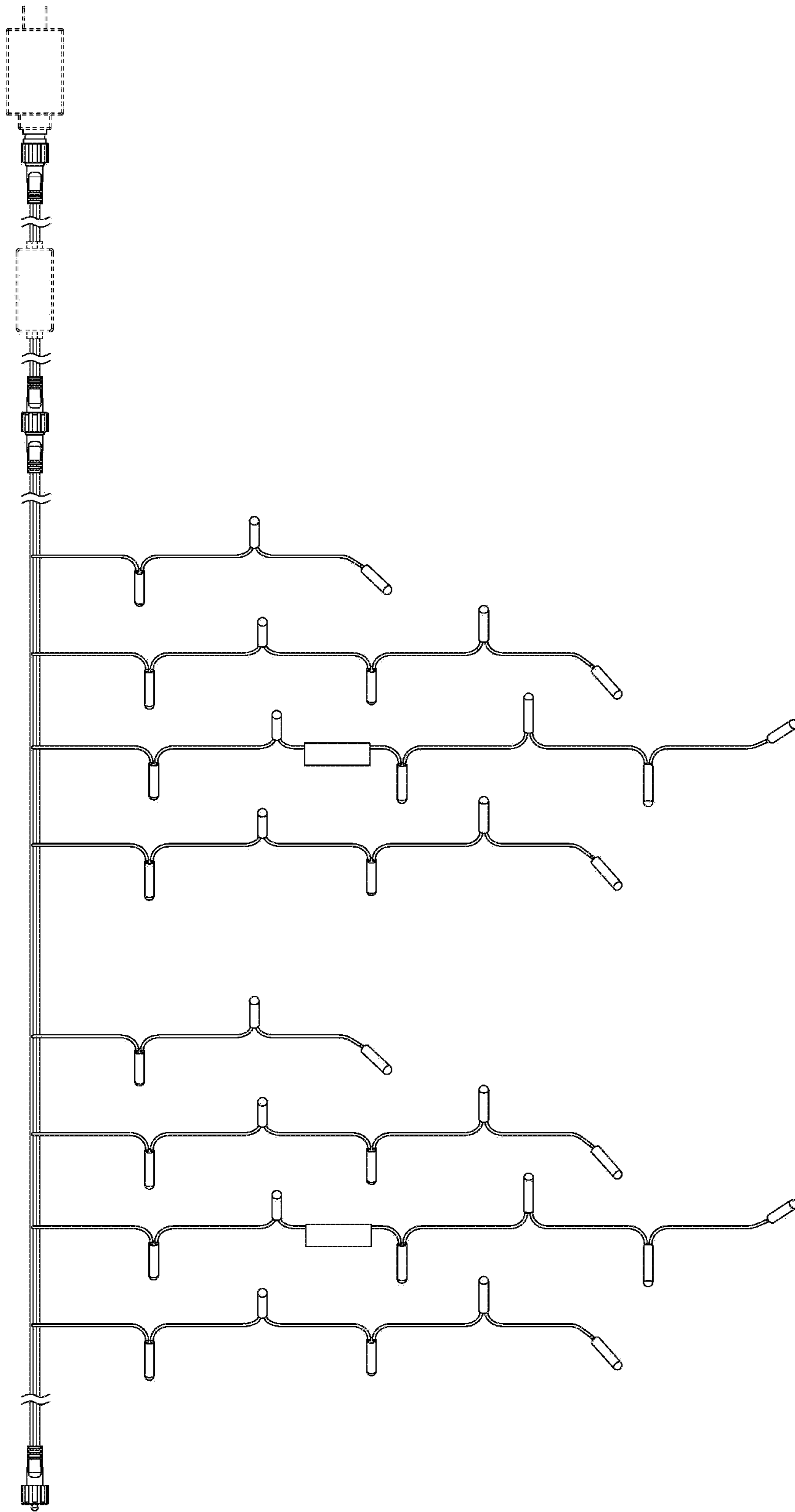


FIG. 3

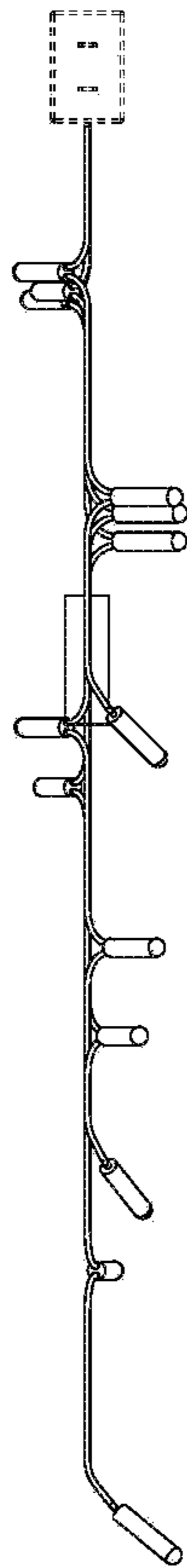


FIG. 4

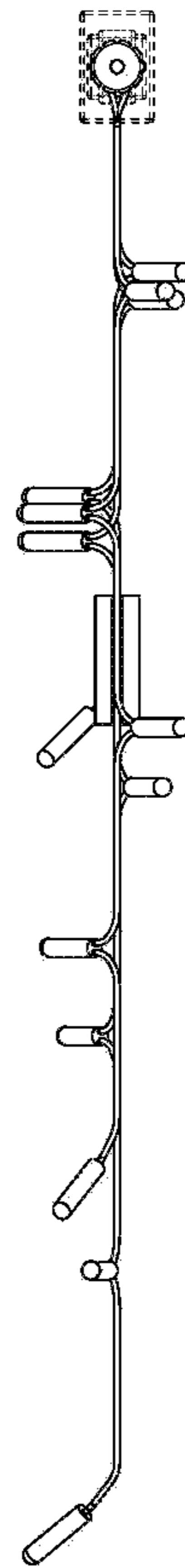


FIG. 5

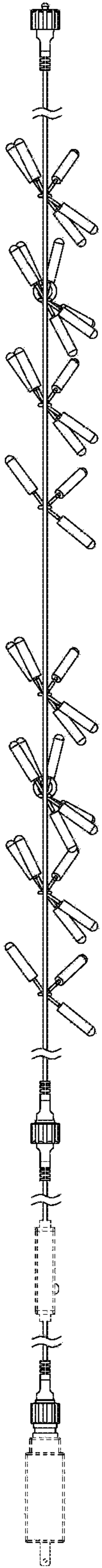


FIG. 6

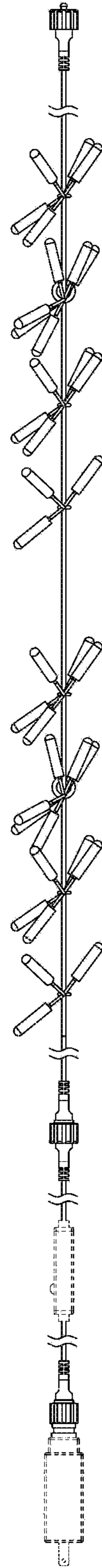


FIG. 7

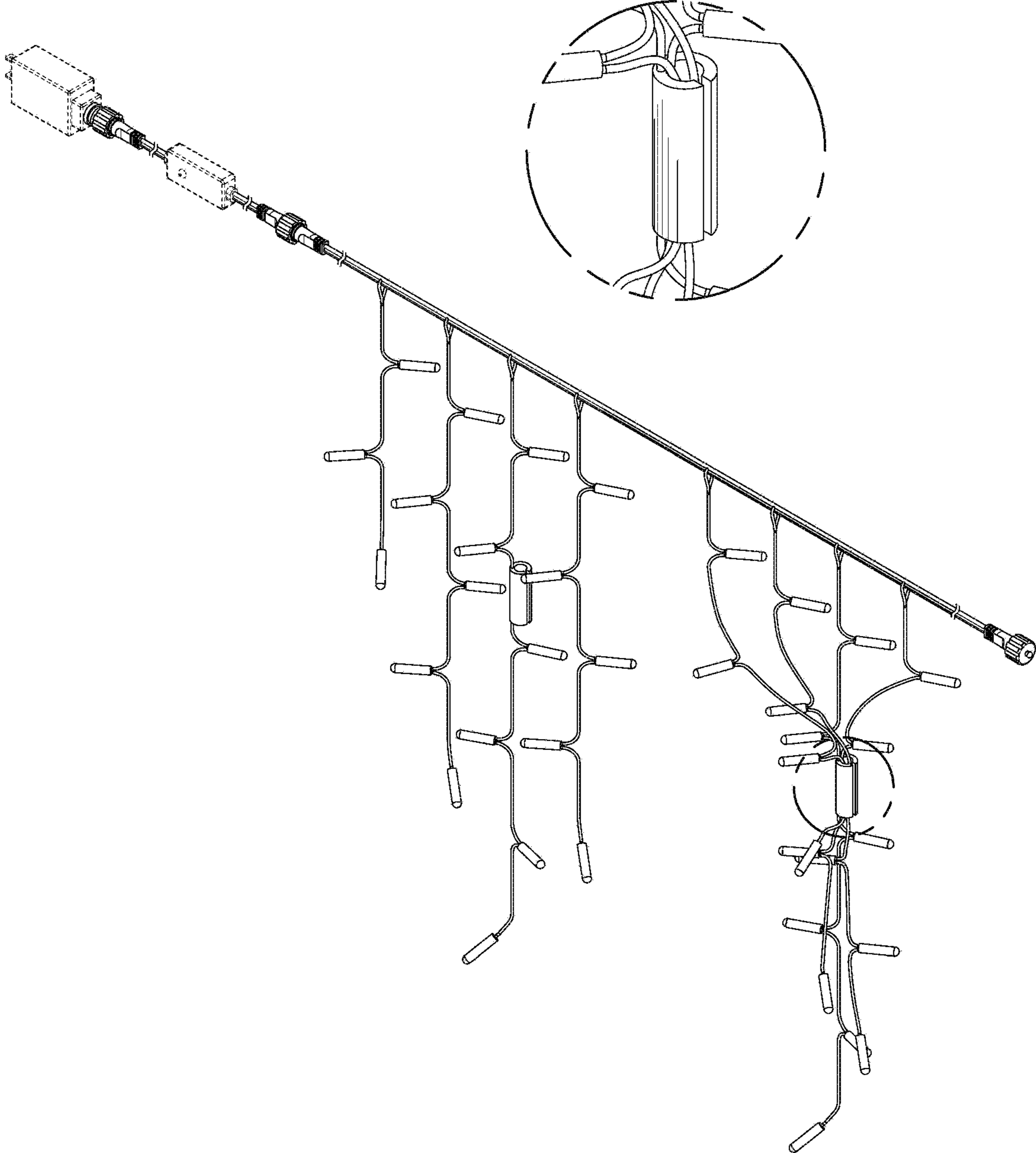


FIG. 8