



US00D965178S

(12) **United States Design Patent** (10) **Patent No.:** **US D965,178 S**
Rathnam (45) **Date of Patent:** **** Sep. 27, 2022**

(54) **MODULAR POOL WITH COVER**

FOREIGN PATENT DOCUMENTS

(71) Applicant: **Modpro Containers Limited,**
Abbotsford (CA)

CA 30075 12/1967
CA 30519 4/1968

(Continued)

(72) Inventor: **Paul J. Rathnam,** Abbotsford (CA)

OTHER PUBLICATIONS

(73) Assignee: **Modpro Containers Limited,**
Abbotsford (CA)

16' Hurricane I/G Aluminum Solar Reel, Mar. 31, 2008 (User Review), INYOPools, <https://www.inyopools.com/Products/01301349040804.htm> (Year: 2008).*

(**) Term: **15 Years**

(Continued)

(21) Appl. No.: **29/691,999**

(22) Filed: **May 21, 2019**

Primary Examiner — Brett Miller

Related U.S. Application Data

(74) *Attorney, Agent, or Firm* — Oyen Wiggs Green & Mutala LLP

(62) Division of application No. 29/646,803, filed on May 7, 2018, now Pat. No. Des. 864,416.

(30) **Foreign Application Priority Data**

(57) **CLAIM**

May 1, 2018 (CA) CA 181155

The ornamental design for a modular pool with cover, as shown and described.

(51) **LOC (13) Cl.** **25-03**

(52) **U.S. Cl.**
USPC **D25/2; D8/359**

(58) **Field of Classification Search**
USPC D25/2; D8/309, 356, 358, 359, 307;
D24/204, 205; 4/498
CPC E04H 4/00; E04H 4/06; E04H 4/08; E04H
4/082; E04H 4/101; E04H 4/086; G05G
1/085
See application file for complete search history.

DESCRIPTION

FIG. 1 is a first perspective view of a modular pool with cover showing the design, with the cover in the fully closed position;
FIG. 2 is a second perspective view thereof;
FIG. 3 is a right side view thereof;
FIG. 4 is a left side view thereof;
FIG. 5 is a front view thereof;
FIG. 6 is a rear view thereof;
FIG. 7 is a top view thereof; and,
FIG. 8 is a perspective view thereof with the cover in a partially closed position.
The portions of the modular pool with cover shown in broken lines form no part of the claimed design. The length of the cover forms no part of the claimed design.

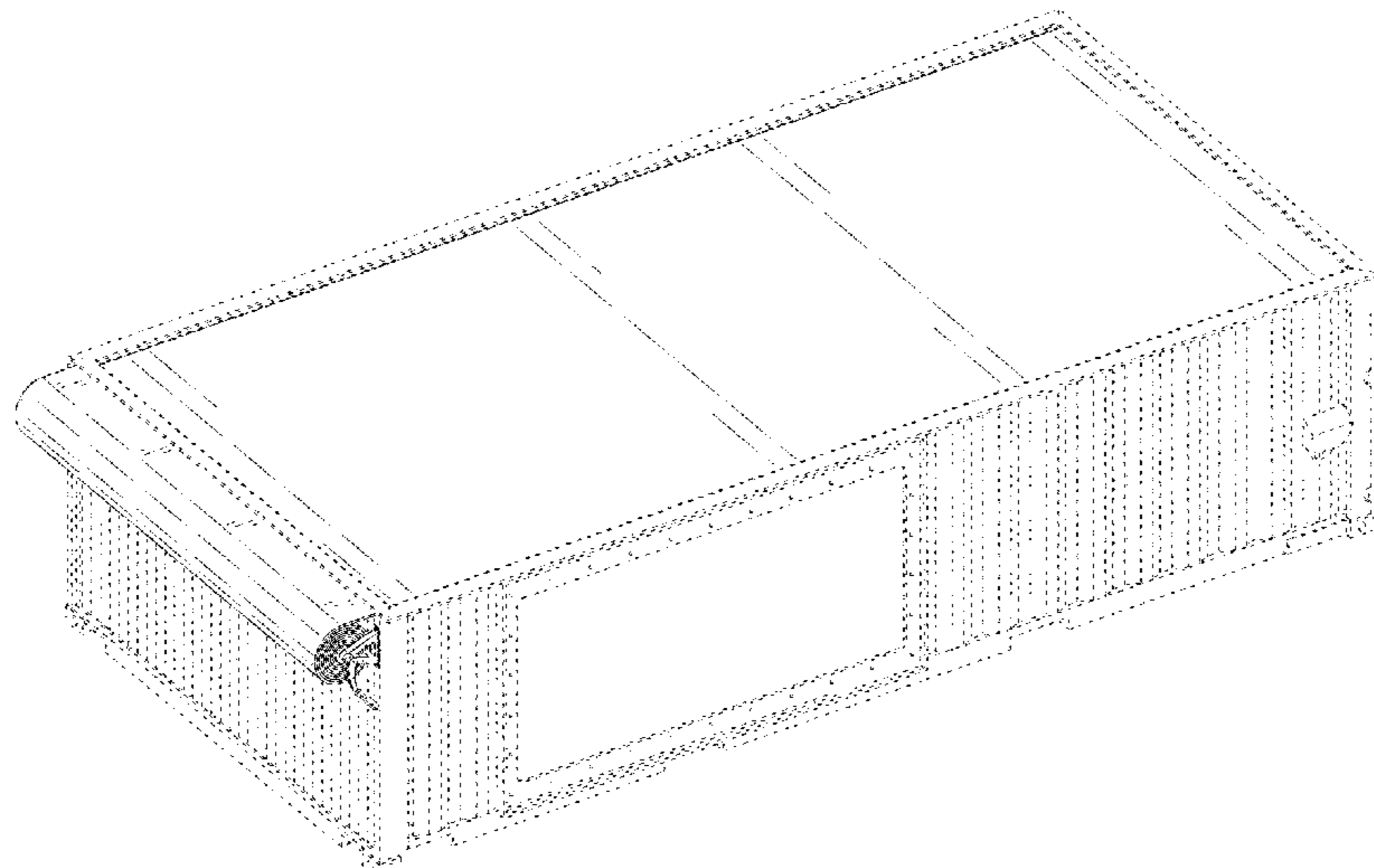
(56) **References Cited**

U.S. PATENT DOCUMENTS

1,146,054 A * 7/1915 Curry G05G 1/085
74/545
2,002,403 A * 5/1935 Kosma G05G 1/085
74/543
2,793,542 A * 5/1957 Hirschhorn A01K 89/009
242/284

(Continued)

1 Claim, 7 Drawing Sheets



(56)

References Cited

U.S. PATENT DOCUMENTS

2,898,607 A 8/1959 McGuire
 RE25,078 E 11/1961 McGuire
 3,460,166 A 8/1969 Weber
 3,501,783 A 3/1970 Broadman
 D241,643 S 9/1976 Bonsack
 4,001,899 A 1/1977 Mathis
 D251,201 S 2/1979 Mathis
 4,227,266 A 10/1980 Russell
 D259,663 S * 6/1981 Sovernigo D25/2
 D266,697 S 10/1982 Topete
 D266,789 S 11/1982 Topete
 D269,813 S 7/1983 Topete
 4,411,031 A 10/1983 Stolar
 D271,522 S 11/1983 Wiley
 D271,955 S 12/1983 Neil
 D271,995 S 12/1983 Topete
 4,459,711 A 7/1984 Sartain et al.
 4,494,256 A 1/1985 Radtke et al.
 D286,493 S * 11/1986 Floyd D8/358
 D300,360 S 3/1989 Jacuzzi
 4,815,152 A 3/1989 MacDonald et al.
 4,930,168 A 6/1990 Ferlise
 D321,923 S 11/1991 Ross
 D324,729 S 3/1992 Yvetot
 D346,728 S 5/1994 Lawson
 D369,965 S * 5/1996 Decursu D8/308
 5,640,352 A 6/1997 Honda
 5,701,613 A * 12/1997 Richardson E04H 4/082
 160/133
 D388,880 S 1/1998 Defilippo
 D417,286 S 11/1999 Sullivan
 6,014,778 A 1/2000 Varnados
 D424,774 S * 5/2000 Zarley D34/24
 6,519,788 B1 2/2003 Epple
 6,526,604 B1 3/2003 Mathis
 6,640,352 B2 11/2003 Huang
 D510,630 S 10/2005 Sullivan
 D513,165 S * 12/2005 Loewenthal D8/309
 D523,320 S * 6/2006 Bertani D8/309
 7,070,096 B2 7/2006 Muller
 D608,902 S 1/2010 Gill
 D645,162 S 9/2011 Martell
 D660,442 S 5/2012 Sullivan
 D685,500 S 7/2013 Sullivan
 D695,909 S * 12/2013 Martell D25/2
 D703,795 S 4/2014 Licini
 RE45,820 E 12/2015 Jiang
 D745,361 S * 12/2015 Glasband D8/309
 D782,631 S 3/2017 Schachter
 D801,153 S * 10/2017 Guiffault D8/359
 D802,866 S * 11/2017 Williams D34/24
 9,932,092 B1 4/2018 Garruto
 D822,226 S 7/2018 Rathnam
 D835,294 S 12/2018 Rathnam
 D863,041 S * 10/2019 Short D8/356
 D864,402 S 10/2019 Rathnam
 D864,416 S * 10/2019 Rathnam D25/2
 D870,918 S 12/2019 Rathnam
 D939,328 S * 12/2021 Grzybowski D8/358
 2005/0150175 A1 7/2005 Guigan
 2009/0025134 A1 1/2009 Stephens
 2010/0021609 A1 1/2010 Mattson et al.
 2010/0095448 A1 4/2010 Goldmann
 2010/0122407 A1 5/2010 Dewyea et al.
 2010/0170032 A1 * 7/2010 Sproatt E04H 4/101
 4/502
 2010/0187146 A1 7/2010 Kochanowski
 2010/0199417 A1 * 8/2010 Shebek E04H 4/101
 4/502
 2010/0281609 A1 11/2010 Holmgren
 2011/0119823 A1 * 5/2011 Coenraets E04H 4/101
 4/498
 2011/0240497 A1 10/2011 Dechene
 2011/0299935 A1 12/2011 Dornberg
 2012/0175578 A1 7/2012 Boudreau

2013/0068763 A1 3/2013 Kochanowski
 2013/0245183 A1 9/2013 Beaudry
 2013/0247351 A1 9/2013 Stutson
 2014/0000021 A1 * 1/2014 Scheps E04H 4/101
 4/498
 2014/0283452 A1 9/2014 Dittman
 2015/0089732 A1 4/2015 Khamis
 2015/0101116 A1 * 4/2015 Stien E04H 4/101
 4/498
 2015/0107066 A1 * 4/2015 Lu B60P 7/0846
 24/69 ST
 2015/0240509 A1 8/2015 Ferriss
 2015/0266666 A1 9/2015 Wong
 2016/0083176 A1 3/2016 Kraft
 2016/0102470 A1 4/2016 Brooks
 2016/0130828 A1 5/2016 Moody
 2016/0288993 A1 10/2016 Hu
 2016/0311613 A1 10/2016 Churbuck
 2016/0318069 A1 11/2016 McIlwraith et al.
 2016/0318609 A1 11/2016 Lynn
 2017/0198486 A1 7/2017 Stone, Jr.
 2018/0187440 A1 * 7/2018 Vervoort E04H 4/082
 2018/0195302 A1 7/2018 Woods
 2019/0063093 A1 2/2019 Coenraets

FOREIGN PATENT DOCUMENTS

CA 30765 8/1968
 CA 30766 8/1968
 CA 39071 4/1975
 CA 50641 12/1982
 CA 65069 1/1990
 CA 66670 8/1990
 CA 74454 7/1994
 CA 81748 9/1997
 DE 2235721 A1 1/1974
 DE 2742801 A1 4/1979
 DE 202006017784 U1 2/2007
 DE 102009033144 A1 2/2010
 DE 102010032727 A1 1/2012
 DE 102010032730 A1 1/2012
 DE 102011078799 A1 2/2012
 DE 202013003755 U1 5/2013
 DE 102010032727 B4 4/2017
 EP 1588988 A1 10/2005
 EP 2230213 B1 9/2010
 TW 200833237 A 8/2008
 WO 9748647 12/1997

OTHER PUBLICATIONS

Intex Solar Cover Reel, Jun. 19, 2018 (User Review), Amazon, <https://www.amazon.com/Intex-Solar-Cover-Reel-9ft/dp/B073RV415V> (Year: 2018).*

Inyo Pools, How To install An In Ground Pool Solar Cover Reel, Apr. 27, 2016 (User Comment), INYO Pools, https://www.inyopools.com/HowToPage/how_to_install_an_in_ground_pool_solar_cover_reel.aspx (Year: 2016).*

Coxreels, Hand Crank Steel Hose Reel, 2009, Amazon, <https://www.amazon.com/Coxreels-1125-4-325-Steel-Capacity-without/dp/B0078S0FNO> (Year: 2009).*

Curt, Manual Hand Crank Boat Trailer Winch, 2015, Amazon, <https://www.amazon.com/CURT-29423-Manual-Trailer-Capacity/dp/B00TU7KME8> (Year: 2015).*

Tiger Containers, Shipping Container Pools: 5 Quick Considerations, URL: <https://www.tigercontainers.com/blog/shipping-container-pools-5-quick-considerations/> (Accessed Nov. 1, 2019).

Tamara, "Swimming pool out of storage container", URL: <http://www.portamini.com/swimming-pool-storage-container/> (Published Mar. 27, 2016).

EES Shipping Pty Ltd, "Shipping container pools", URL: <https://eescair.com/?p=3453> (Published Feb. 13, 2015).

EES Shipping Pty Ltd, "Robust container pools", URL: <https://eescair.com/?p=5927> (Published Jan. 11, 2016).

(56)

References Cited

OTHER PUBLICATIONS

- Adaptainer, “Extraordinary shipping container swimming pools”, URL: <https://adaptainer.co.uk/container-conversion/shipping-container-swimming-pools-for-sale-price/> (Published Oct. 11, 2015).
- R. Herr, “How to Build a Shipping Container Pool”, URL: <https://containerauction.com/read-news/how-to-build-a-shipping-container-pool> (Published Nov. 26, 2014).
- Premierbox, “Shipping Container Swimming Pools”, URL: <https://premierbox.wordpress.com/2014/03/31/shipping-container-swimming-pools/> (Published Mar. 31, 2014).
- Shippingcontainerhomes, “Shipping Container Swimming Pools Book 1”, URL: <https://issuu.com/shippingcontainerhomes/docs/shipping-container-swimming-pools-1> (Published Jul. 24, 2015).
- Tuomas P., “Shipping Containers And Other Amazing Swimming Pools”; “Shipping Container Swimming Pools!”, URL: <https://shanghaimetalcorporation.wordpress.com/tag/shipping-container-swimming-pools/> (Published Sep. 1, 2014).
- Ein Produkt der Nagel-Gruppe, “Containerpool”, URL: <https://web.archive.org/web/20111130135650/http://www.nagel-containerpool.de:80/> (Published Nov. 30, 2011).
- L. Alter, “SOAK in a shipping container spa in San Francisco”, URL: <https://www.treehugger.com/modular-design/soak-shipping-container-spa-san-francisco.html> (Published Dec. 13, 2013).
- B. Meinhold, “SOAK Pop-Up Shipping Container Spa Promotes Health & Sustainability in San Francisco”, URL: <https://inhabitat.com/soak-pop-up-shipping-container-spa-promotes-health-sustainability-in-san-francisco/> (Published Jul. 22, 2013).
- A. Schwartz, “This Anti-Spa Is Built Inside Shipping Container”, URL: <https://www.fastcompany.com/3023600/this-anti-spa-is-built-inside-shipping-containers> (Published Dec. 19, 2013).
- B. Tsui, “Designing a Day Spa That Isn’t Terrible for the Environment”, URL: <https://www.citylab.com/design/2013/12/designing-day-spa-isnt-terrible-environment/7849/> (Published Dec. 12, 2013).
- N. Waters, “SOAK: An Ecological Urban Bathhouse: Prototyping an eco-spa one shipping container at a time”, URL: <https://www.kickstarter.com/projects/1390256402/soak-an-ecological-urban-bathhouse> (Accessed Nov. 1, 2019).
- The epic, “i just went swimming. in a shipping container.”, URL: <https://theepic.wordpress.com/2008/07/28/i-just-went-swimming-in-a-shipping-container/> (Published Jul. 28, 2008).
- The epic, “shipping container pool: 7 years out”, URL: <https://theepic.wordpress.com/2015/07/25/shipping-container-pool-7-years-out/> (Published Jul. 25, 2015).
- Budget Dumpster Rental, “Dumpster Discoveries: The Dumpster Pool”, URL: <https://www.youtube.com/watch?v=DLpmU-OkU1k&feature=youtu.be> (Published Jan. 6, 2016).
- Dailymail, “Refreshing change: Experimental architect Stefan Beese has brought ‘dumpster diving’ to his own backyard by converting a 22-foot-long, steel refuse container into a small, but elegant, swimming pool”, URL: https://www.dailymail.co.uk/news/article_-3167495/You-ve-just-got-dive-Architect-turns-dumpster-swimming-pool-family.html (Accessed prior to Oct. 23, 2019).
- Design U.S. Appl. No. 29/633,371, filed Jan. 12, 2018.
- Design U.S. Appl. No. 29/655,525, filed Jul. 4, 2018.
- Design U.S. Appl. No. 29/646,803, filed May 7, 2018.
- Coverstar, Installation Guide, Sep. 1, 2016, https://www.coverstarcentral.com/pdf/Encapsulation_Kit_Installation_Guid_L9786.pdf (Year: 2016).
- Hilfiger Denim, Bread & Butter, Berlin, Summer 2011, <http://www.twotimestwentyfeet.com/en/container-projects/hilfiger-denim-bread-butter-berlin-summer-2011/#prettyPhoto>, Artdepartment Berlin GmbH (accessed Jun. 17, 2020).
- Berlin high plan view photo, of Hilfiger Denim at Bread & Butter, Berlin, summer 2011, author unknown.
- Porta-Mini Storage, “Shipping Pool Out of Storage Container”. <http://www.portamini.com/swimming-pool-storage-container/>. May 18, 2016.
- EES Shipping PTY Ltd., “Shipping Container Pools”. <https://eescair.com/?p=3453>. Nov. 28, 2016.
- EES Shipping PTY Ltd., “Robust Container Pools”. <https://eescair.com/?p=5927>. Feb. 22, 2016.
- Adaptainer Limited, “Extraordinary Shipping Container Swimming Pools”. <https://adaptainer.co.uk/container-conversion/shipping-container-swimming-pools-for-sale-price/>. Oct. 13, 2015.
- Ryan Herr, “How to Build a Shipping Container Pool”. Containerauction.com, <https://containerauction.com/read-news/how-to-build-a-shipping-container-pool>. Mar. 25, 2015.
- Premierbox, “Shipping Container Swimming Pools”. <https://premierbox.wordpress.com/2014/03/31/shipping-container-swimming-pools/>. Jun. 5, 2017.
- Dailymail.com, “Architect Stefan Beese turns dumpster into swimming pool for his family”. <http://www.dailymail.co.uk/news/article-3167495/You-ve-just-got-dive-Architect-turns-dumpster-swimming-pool-family.html>. Jul. 20, 2015.
- Doug MacCash, “Experimental Architect Stefan Beese Converts a Steel Refuse Container into a Backyard Pool”. NOLA.com. Sep. 21, 2012.
- Shanghai Metal Corporation, “Shipping Container and Other Amazing Swimming Pools”. Wordpress.com. Oct. 8, 2014.
- Ariel Schwartz, “This Anti-Spa Is Built Inside Shipping Containers”. Fast Company. <http://www.fastcoexist.com/3023600/this-anti-spa-is-built-inside-shipping-containers>. Dec. 25, 2013.
- Bonnie Tsui, “Designing a Day Spa That Isn’t Terrible for the Environment”. City Lab. <https://www.citylab.com/design/2013/12/designing-day-spa-isnt-terrible-environment/7849/>. Oct. 12, 2014.
- Nell Waters, “Soak An Ecological Urban Bathhouse”. Kickstarter, PBC. Mar. 28, 2017.
- Nell Waters, “Soak: An Ecological Urban Bathhouse”. Kickstarter, <http://www.kickstarter.com/projects/1390256402/soak-an-ecological-urban-bathhouse>. Nov. 26, 2013.
- Theepic, “I just went swimming. in a shipping container”. Wordpress.com. <https://theepic.wordpress.com/2008/07/28/i-just-went-swimming-in-a-shipping-container/>. Aug. 9, 2009.
- Theepic, “Shipping container pool: 7 years out”. Wordpress.com. <https://theepic.wordpress.com/2015/07/25/shipping-container-pool-7-years-out/>. Mar. 5, 2017.
- Associated Press, “Raw Video—Dumpsters Transformed Into Pools”. Youtube.com. Aug. 3, 2010.
- Pictures of New York City. Aug. 9, 2013.
- Shippingcontainerhomes, “Shipping Container Homes Swimming Pools Presentation 2”. Issuu.com. Jul. 30, 2015.
- Screenshots of Dunk Pool Configuration Summary. Apr. 19, 2017.
- Screenshots of The Palladium Plunge on Leisure Pool’s Webpage. Undated. Available at least as early as Jan. 20, 2021.
- TwoTimesTwentyFeet.com, “Hilfiger Denim, Bread & Butter, Berlin, Summer 2011/2010”. Jun. 30, 2017.
- William Porter, “Denver Taxi Development’s container pool earns repurposing props”. The Denver Post. Jul. 20, 2012.
- William Porter, “Denver Taxi Development’s container pool earns repurposing props”. The Denver Post. Jul. 11, 2016.
- Timothy Hoelzle, “Shipping Containers Upcycled”. GreatEcology.com. Aug. 8, 2012.
- Yuka Yoneda, “Photos: Colorful New Pop-Up Pool and Beach Open at Brooklyn Bridge Park”. InHabitat.com. Jul. 6, 2012.
- Coverstar Inc. Installation Guide. Sep. 1, 2006.
- Bonnie Tsui, “Designing a Day Spa That Isn’t Terrible for the Environment”. Bloomberg.com. Dec. 12, 2013.
- 2x20FT, “Hilfiger Denim, Bread & Butter, Berlin, Summer 2011/2010” TwoTimesTwentyFeet.com. Jun. 30, 2017.

* cited by examiner

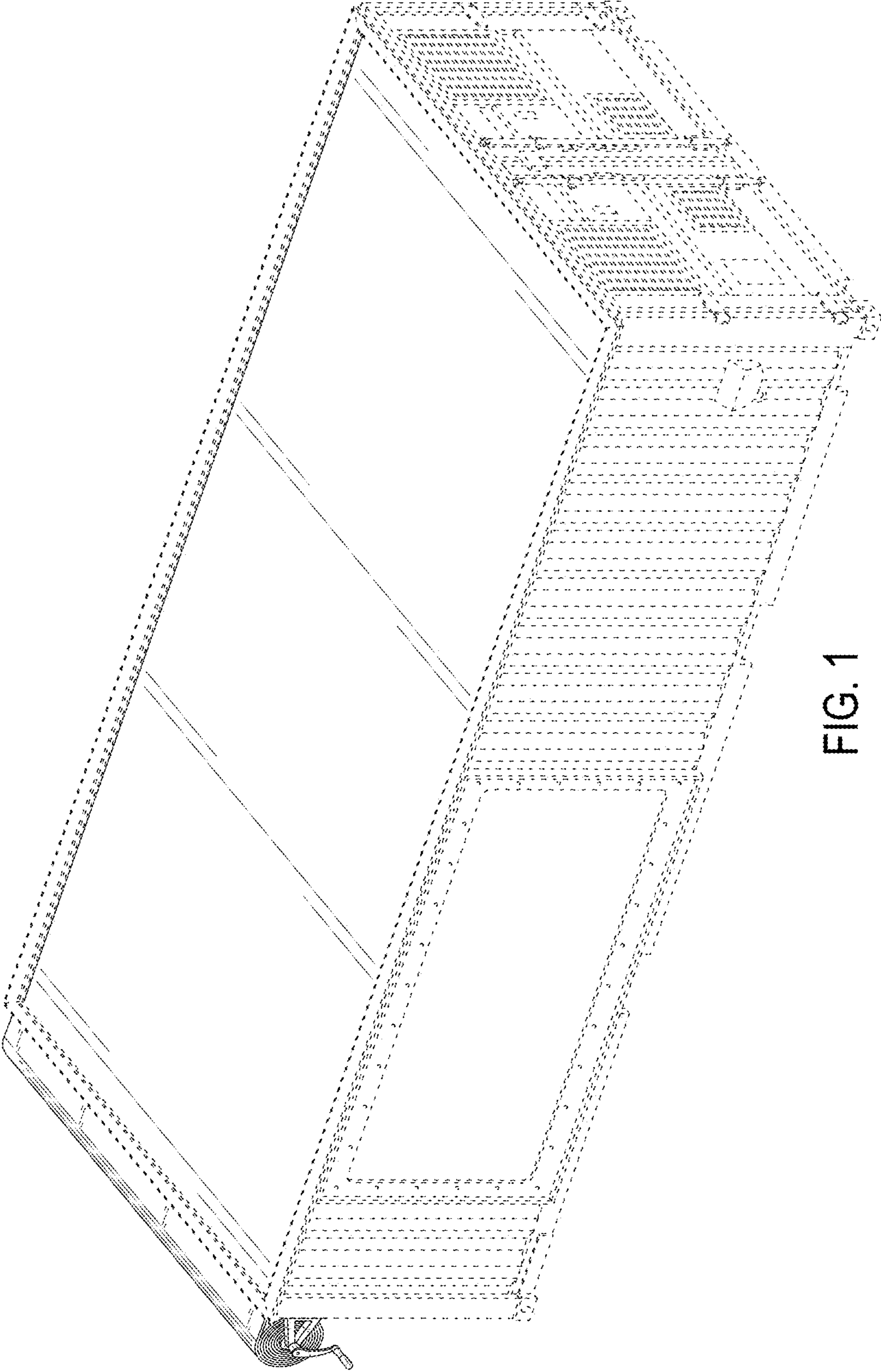


FIG. 1

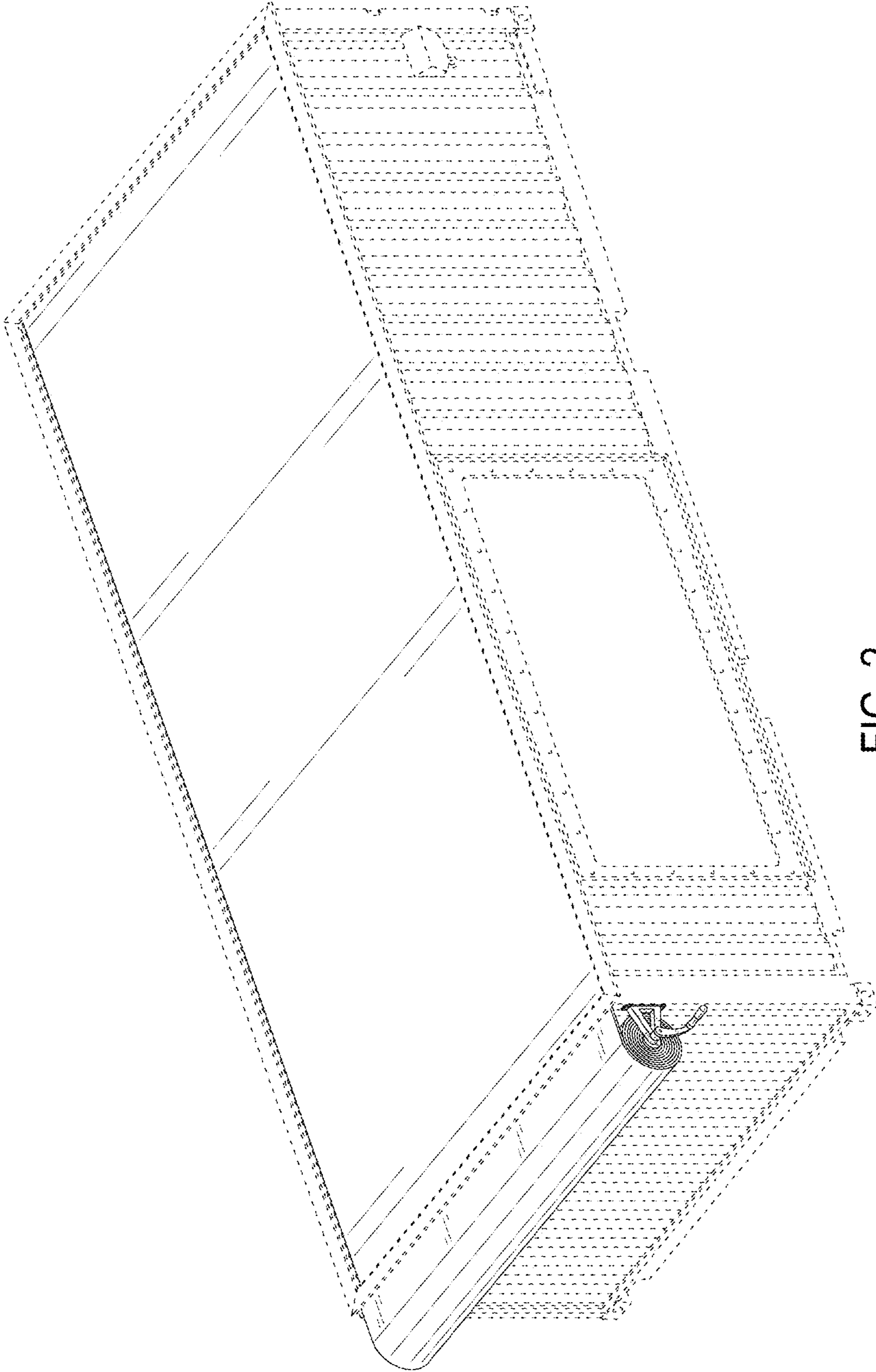


FIG. 2

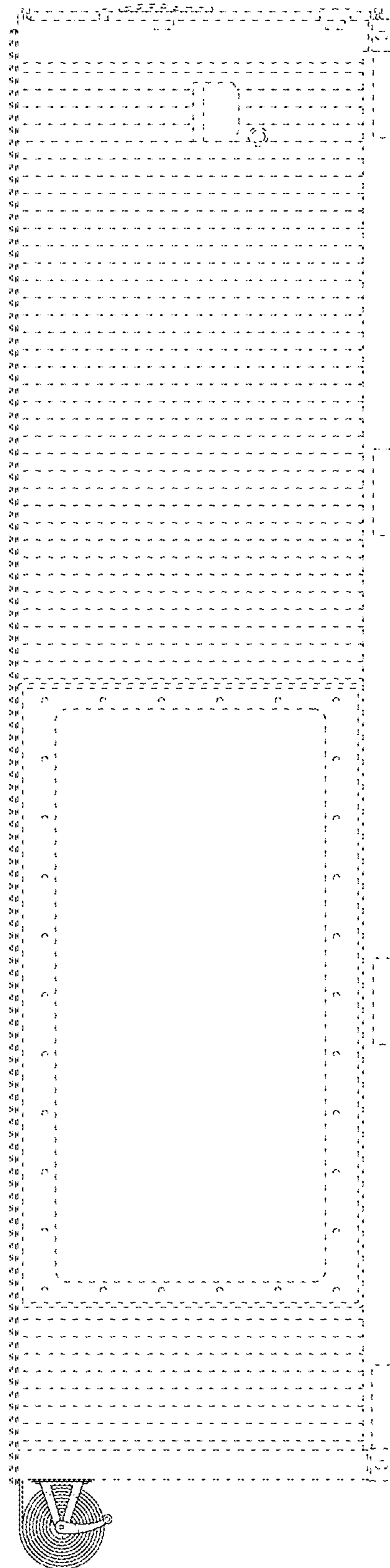


FIG. 3

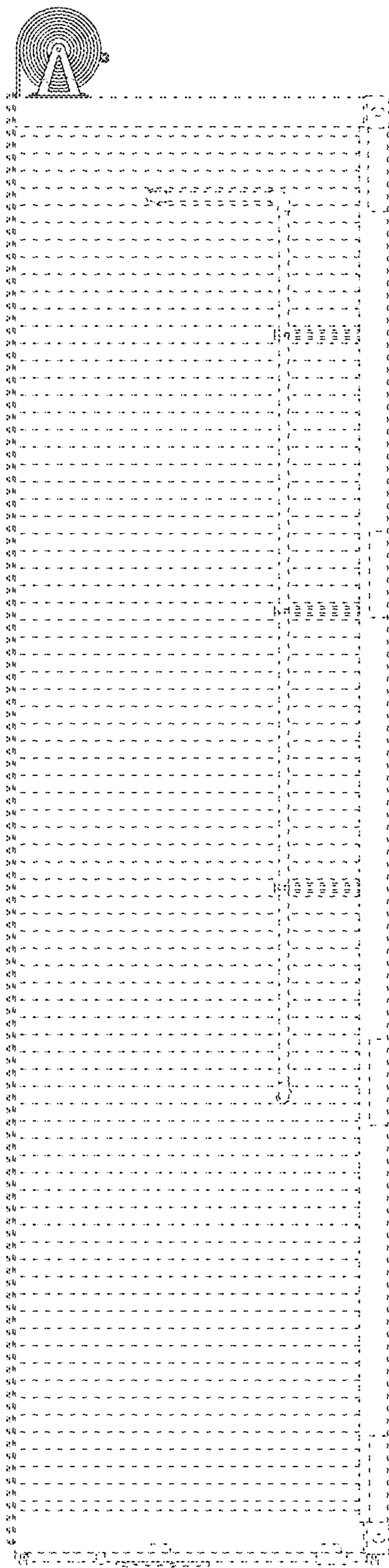


FIG. 4

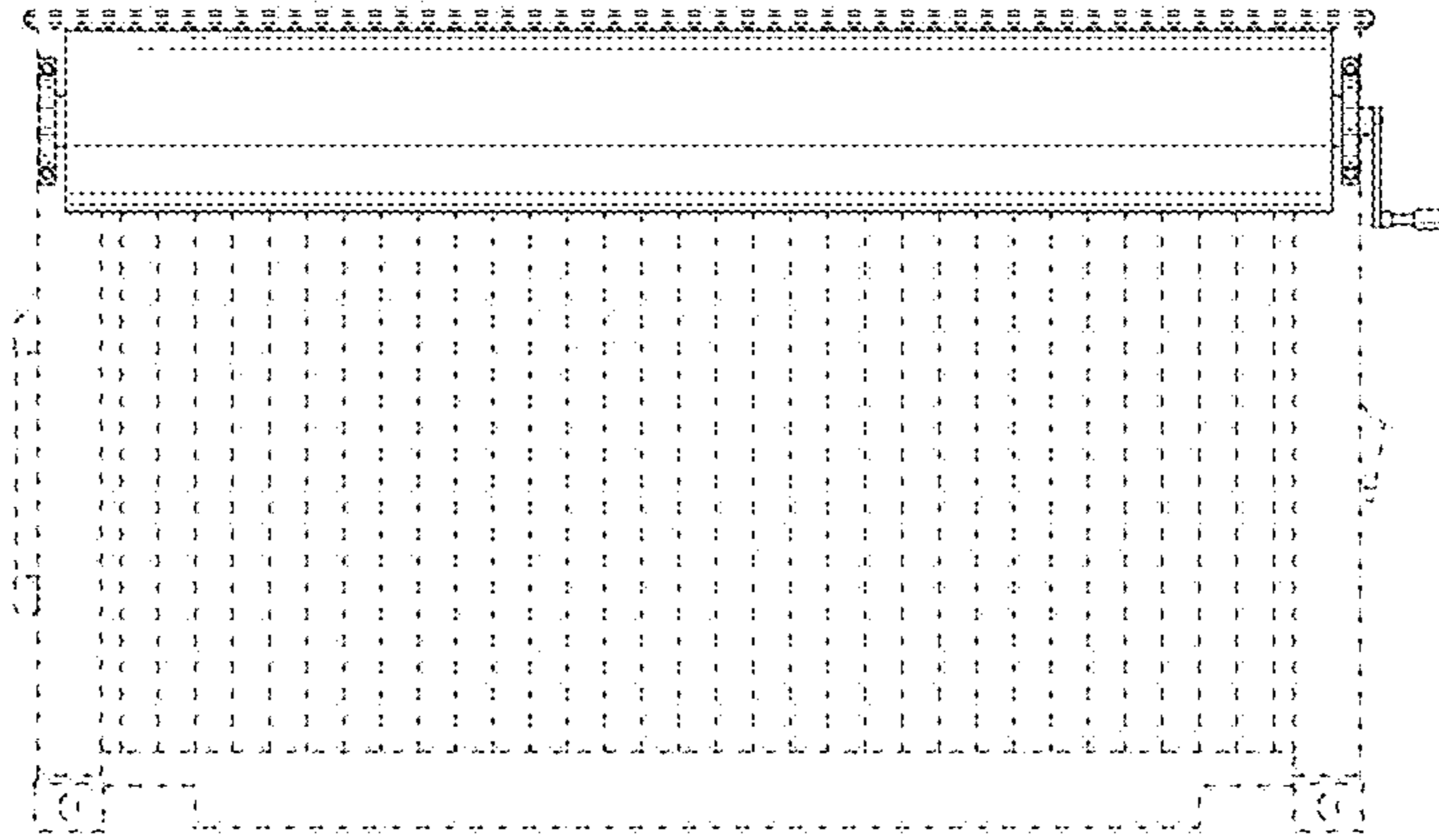


FIG. 5

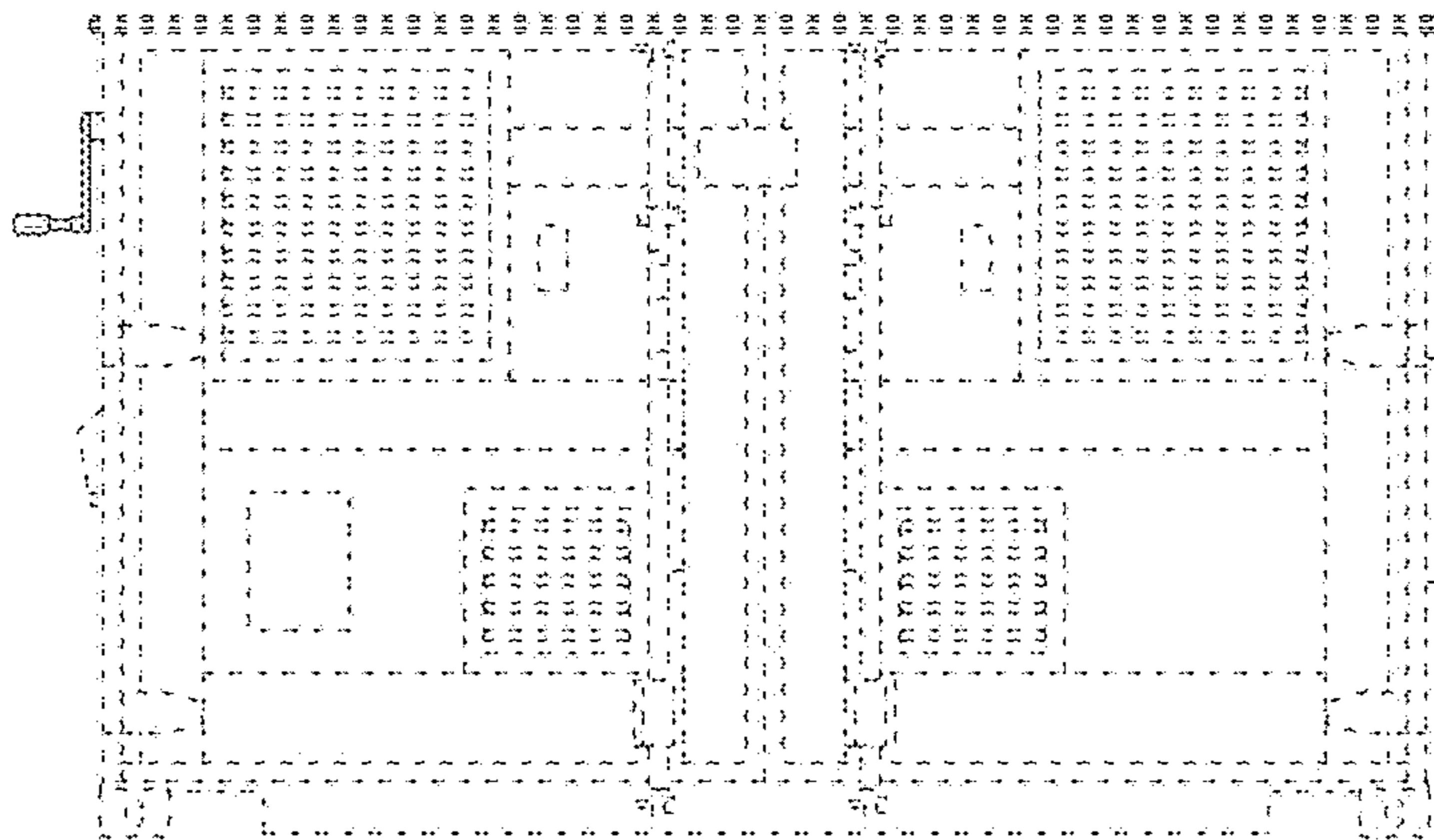


FIG. 6

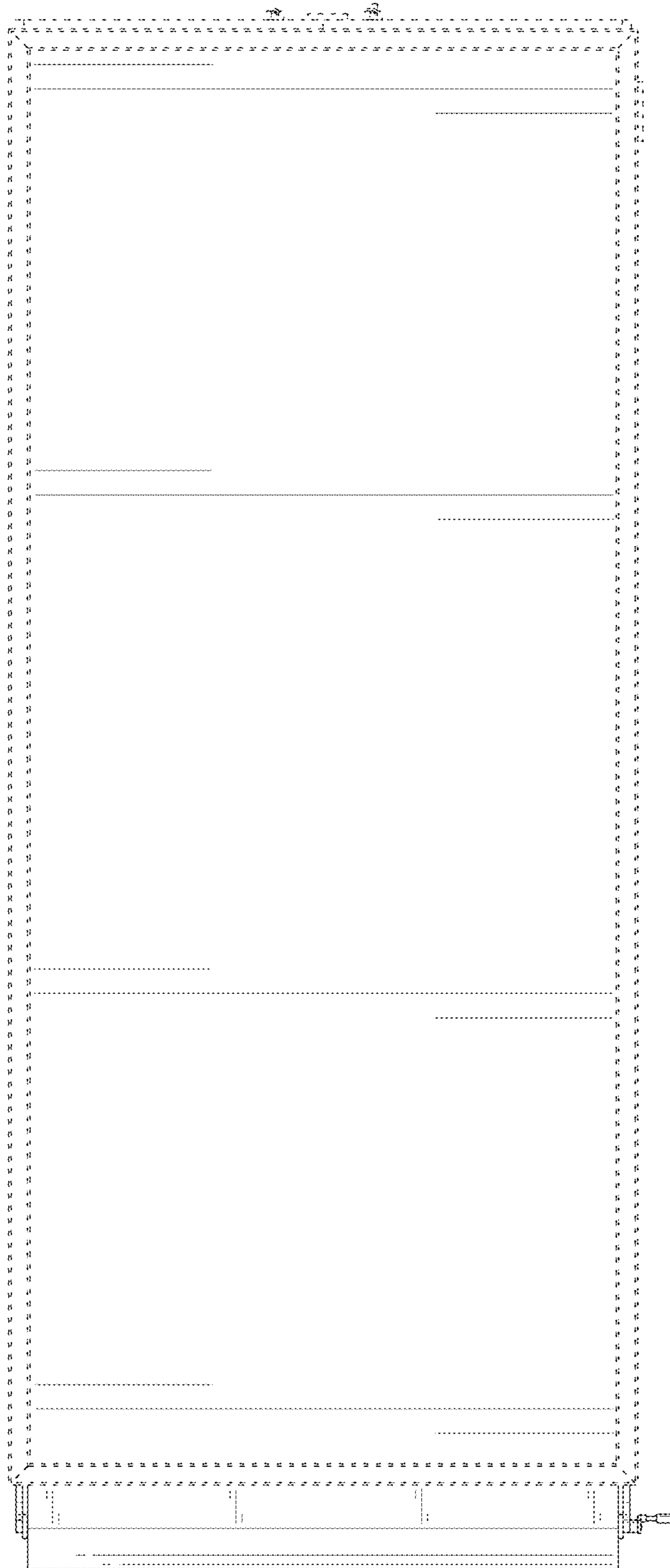


FIG. 7

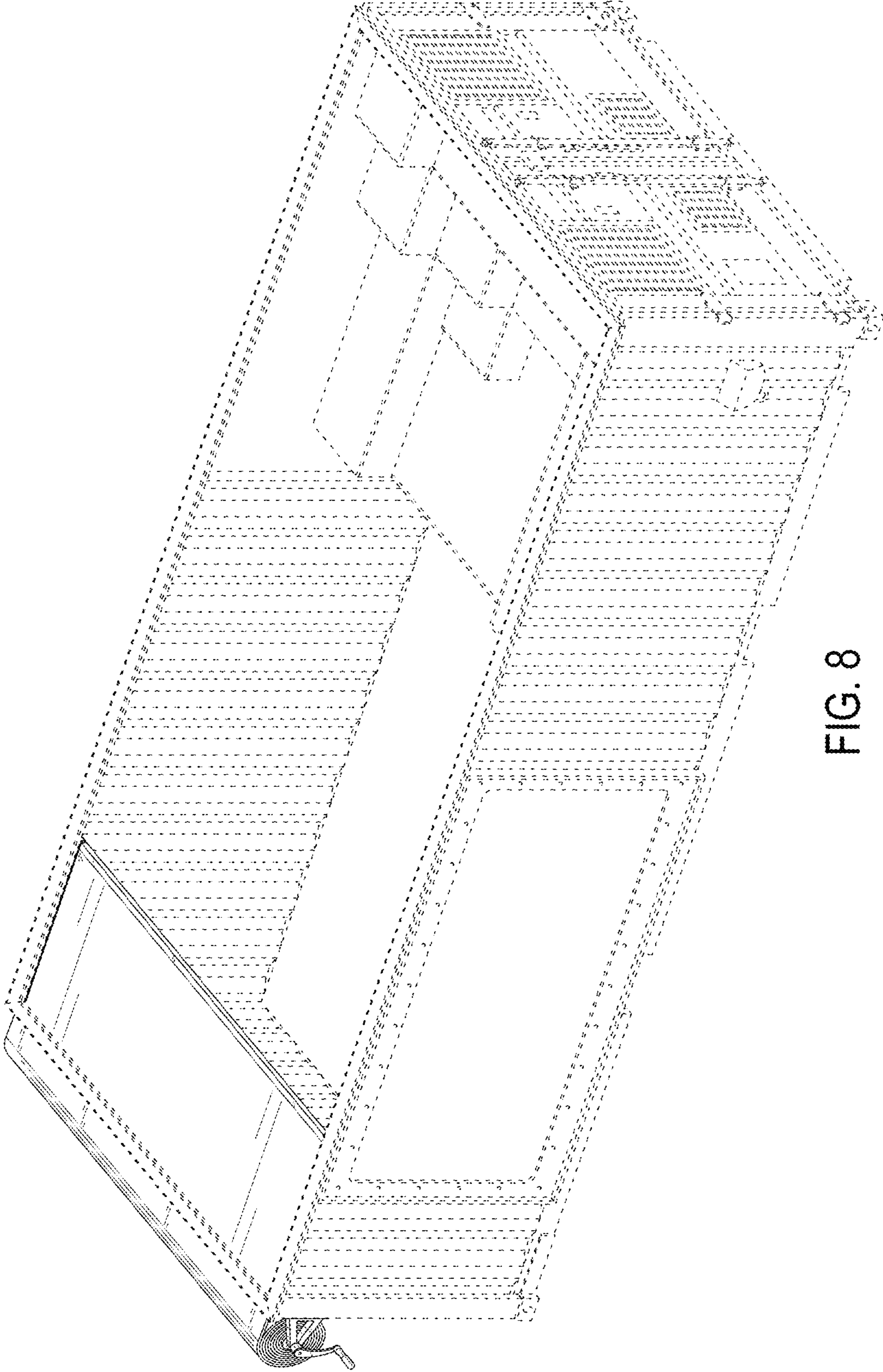


FIG. 8