



US00D965176S

(12) **United States Design Patent** (10) **Patent No.:** **US D965,176 S**  
**Luo** (45) **Date of Patent:** **\*\* Sep. 27, 2022**

(54) **SOUND MACHINE**  
(71) Applicant: **Hua Luo**, Hepu (CN)  
(72) Inventor: **Hua Luo**, Hepu (CN)  
(\*\*) Term: **15 Years**  
(21) Appl. No.: **29/790,435**  
(22) Filed: **Nov. 29, 2021**  
(51) **LOC (13) Cl.** ..... **24-99**  
(52) **U.S. Cl.**  
USPC ..... **D24/231**  
(58) **Field of Classification Search**  
USPC ..... D24/231, 187, 200; D14/299, 229, 496;  
D23/364; D32/21  
CPC ..... A45D 44/00  
See application file for complete search history.

D889,434 S 7/2020 Xie  
D917,117 S \* 4/2021 Cao ..... D32/21  
D933,040 S 10/2021 Lin  
D937,426 S \* 11/2021 Cordle ..... D24/187  
D939,581 S \* 12/2021 Li ..... D14/496  
D940,890 S \* 1/2022 Cartledge ..... D24/200  
D951,415 S \* 5/2022 Yang ..... D23/364  
D956,983 S \* 7/2022 Cordle ..... D24/187

\* cited by examiner

*Primary Examiner* — Rhea Shields  
(74) *Attorney, Agent, or Firm* — Zihua Han

(57) **CLAIM**

The ornamental design for a sound machine, as shown and described.

**DESCRIPTION**

FIG. 1 is a first perspective view of a sound machine showing my new design;  
FIG. 2 is a second perspective view thereof;  
FIG. 3 is a front view thereof;  
FIG. 4 is a back view thereof;  
FIG. 5 is a left side view thereof;  
FIG. 6 is a right side view thereof;  
FIG. 7 is a top view thereof; and,  
FIG. 8 is a bottom view thereof.

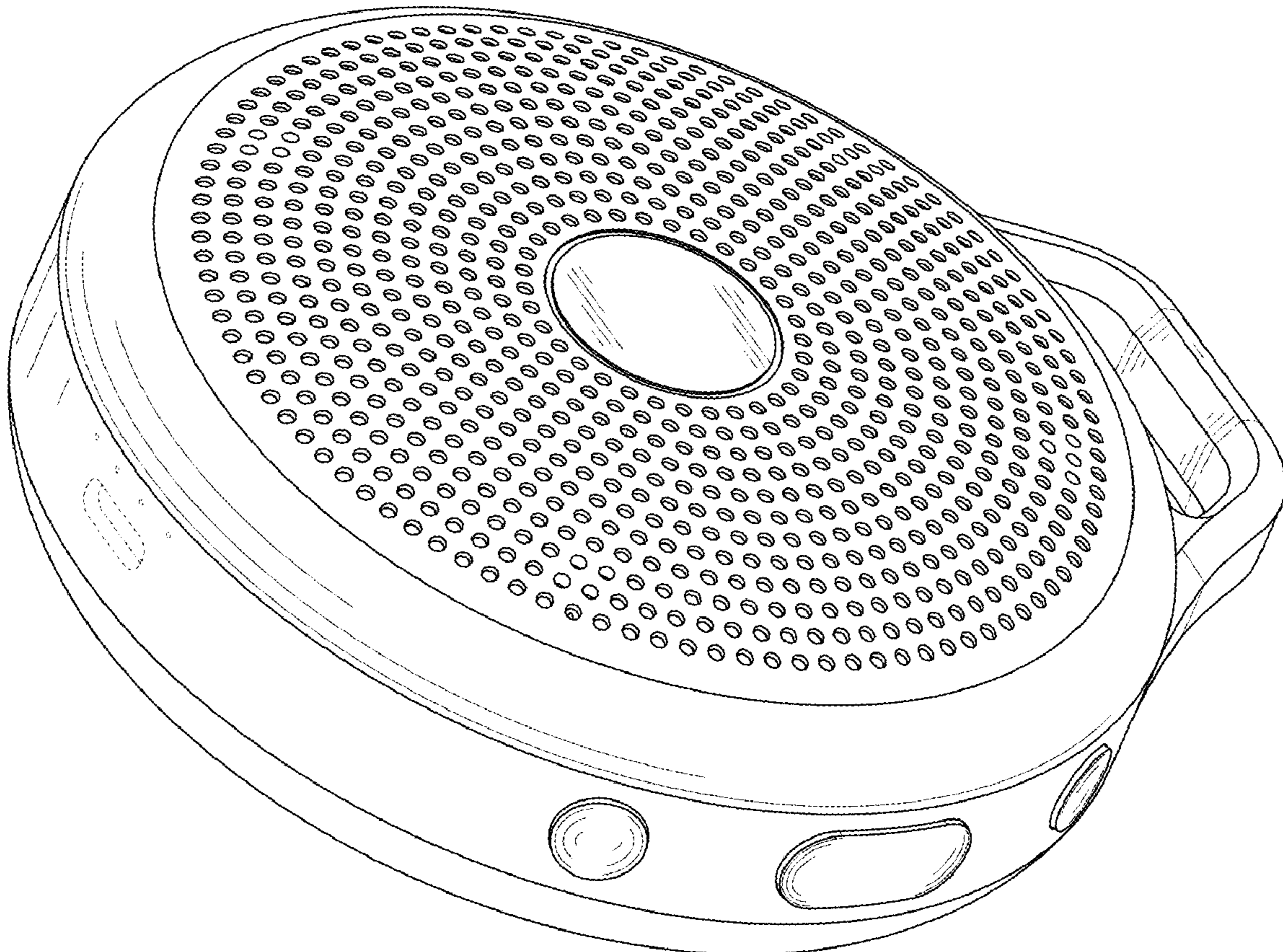
The broken lines shown in the drawings depict portions of the sound machine in which the design is embodied that form no part of the claimed design.

**1 Claim, 8 Drawing Sheets**

(56) **References Cited**

**U.S. PATENT DOCUMENTS**

D381,019 S \* 7/1997 Muller ..... D24/231  
8,899,242 B2 \* 12/2014 Wong ..... A45D 44/00  
132/218  
D827,619 S \* 9/2018 Johnson ..... D14/229  
D862,730 S \* 10/2019 Hu ..... D24/231  
D883,275 S \* 5/2020 Zhang ..... D14/299  
D883,276 S \* 5/2020 Zhang ..... D14/299  
D888,688 S 6/2020 Xie



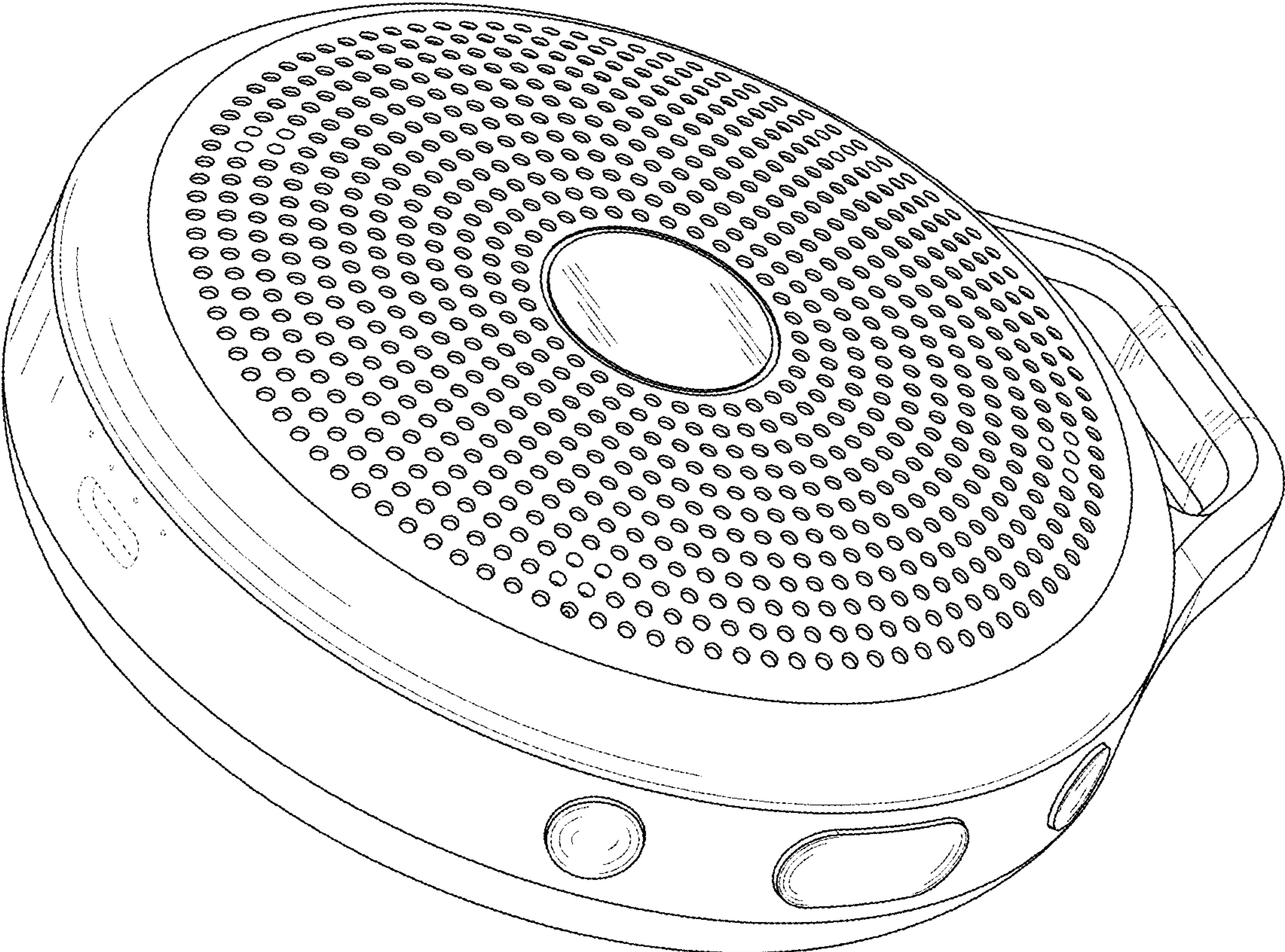


FIG. 1

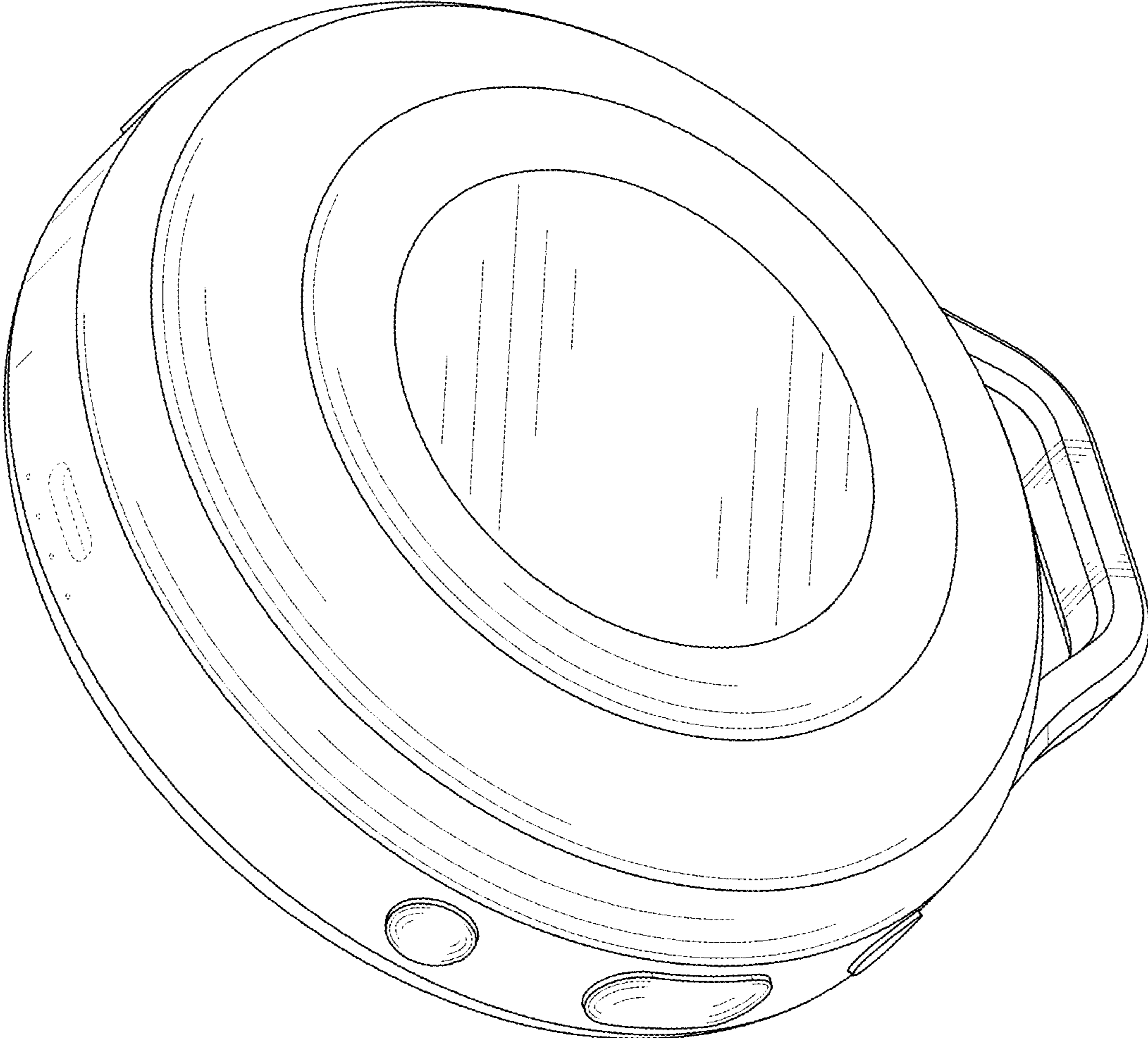


FIG. 2

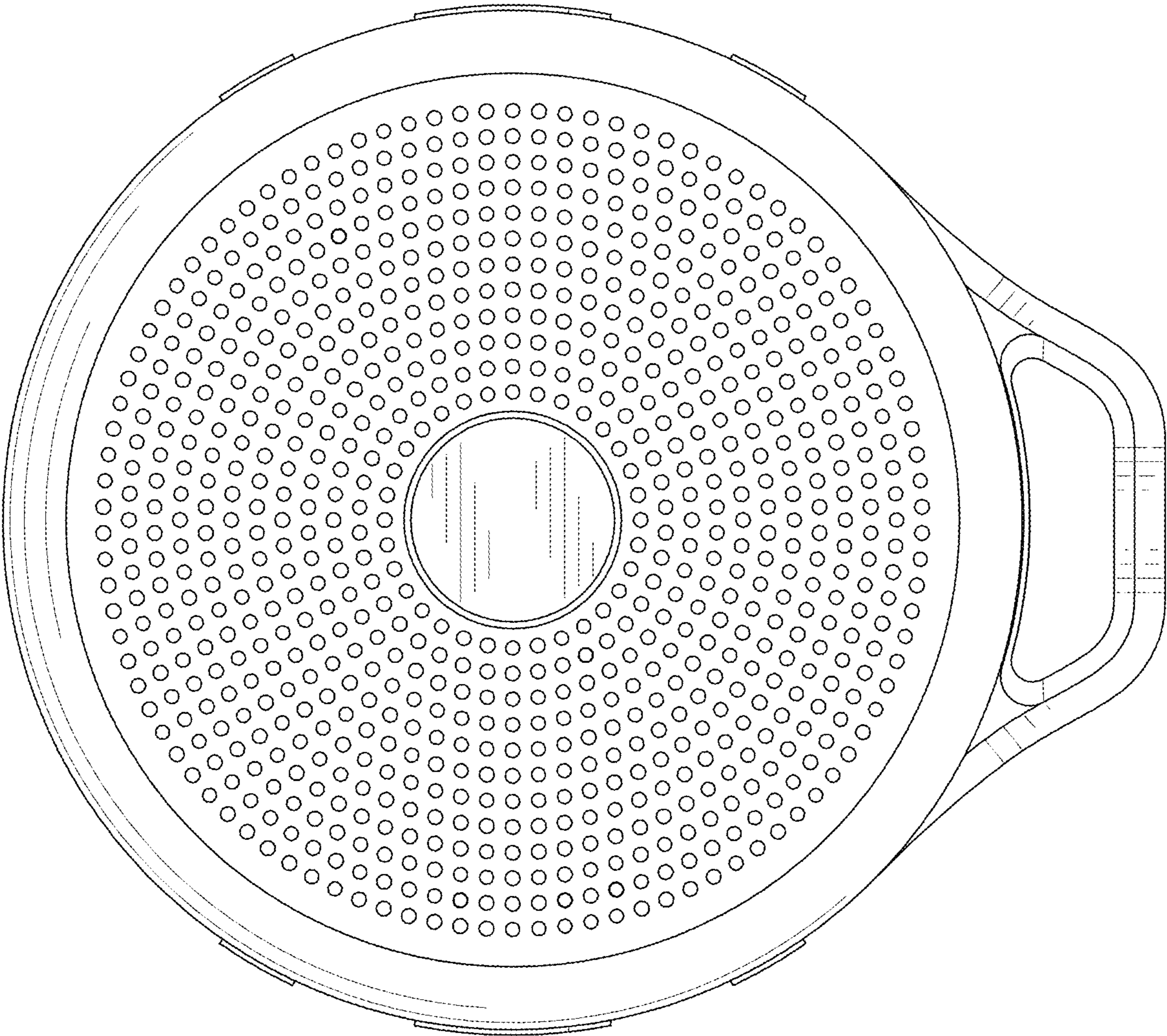


FIG. 3

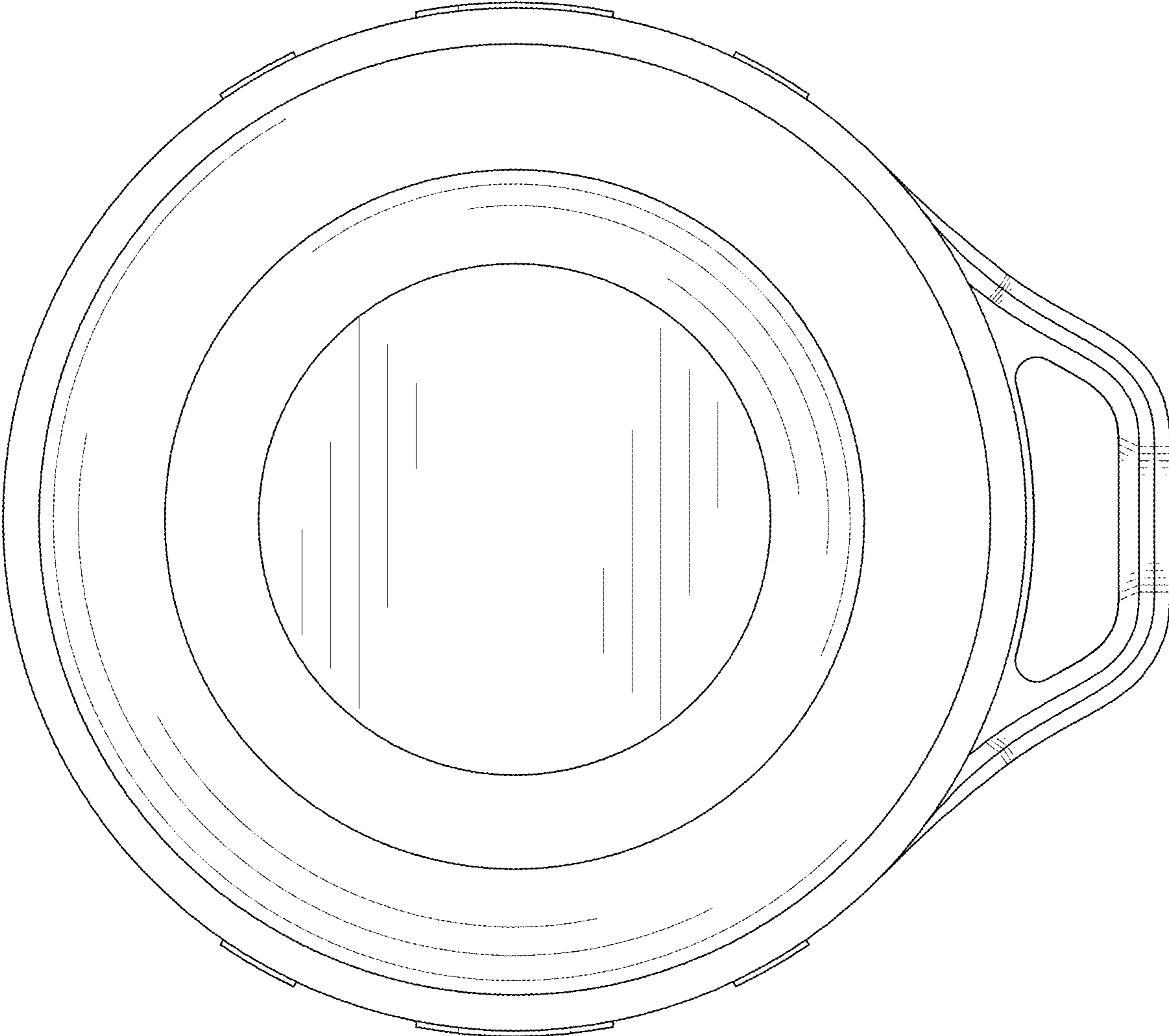


FIG. 4

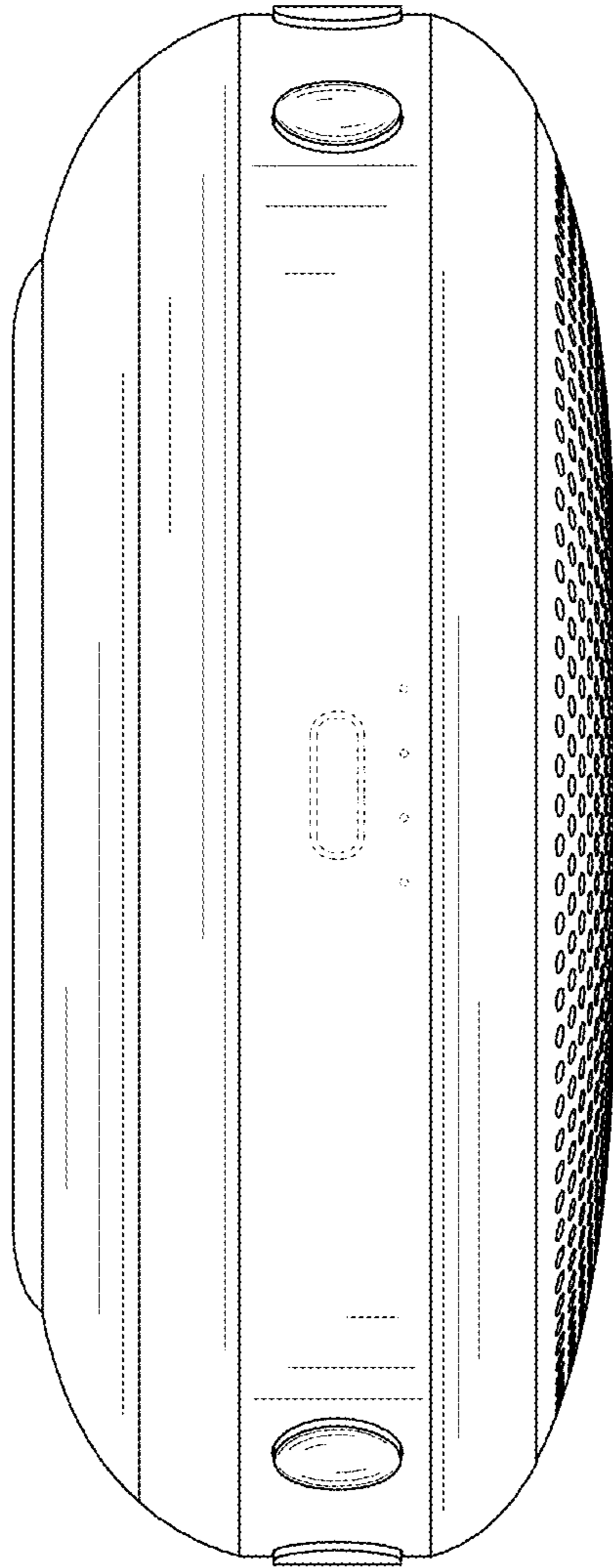


FIG. 5

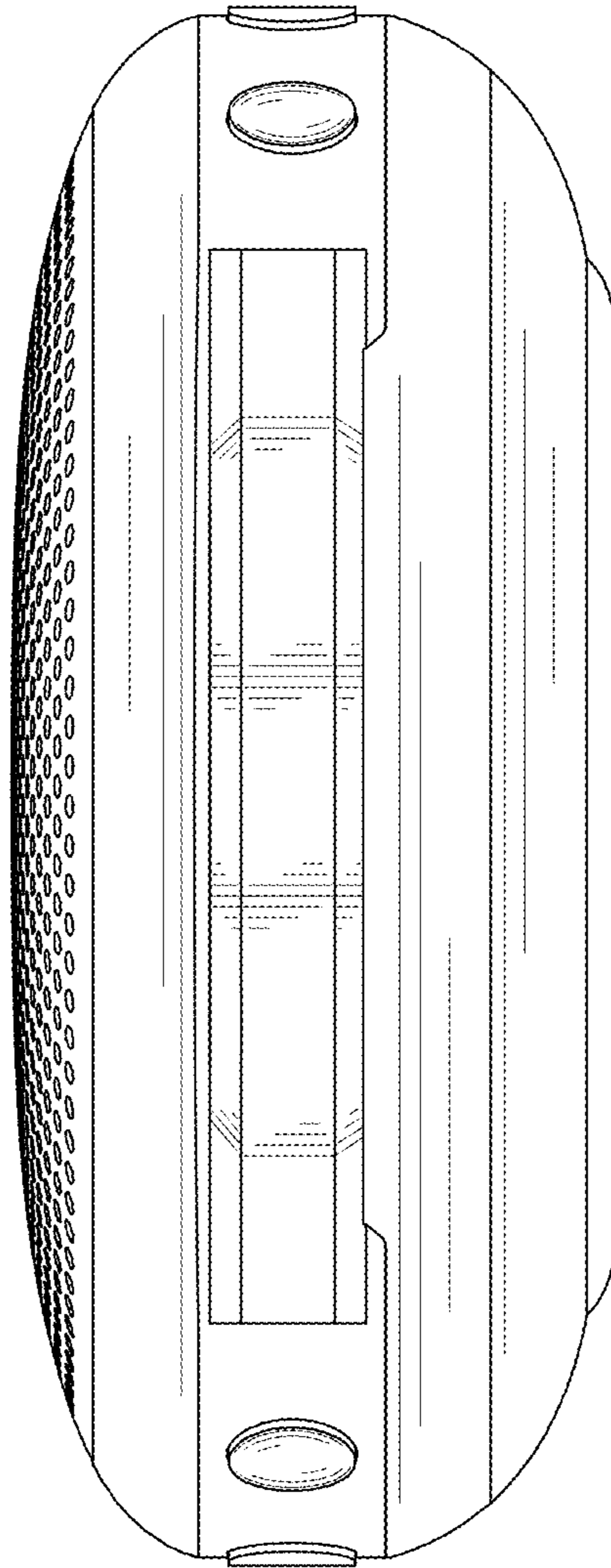


FIG. 6

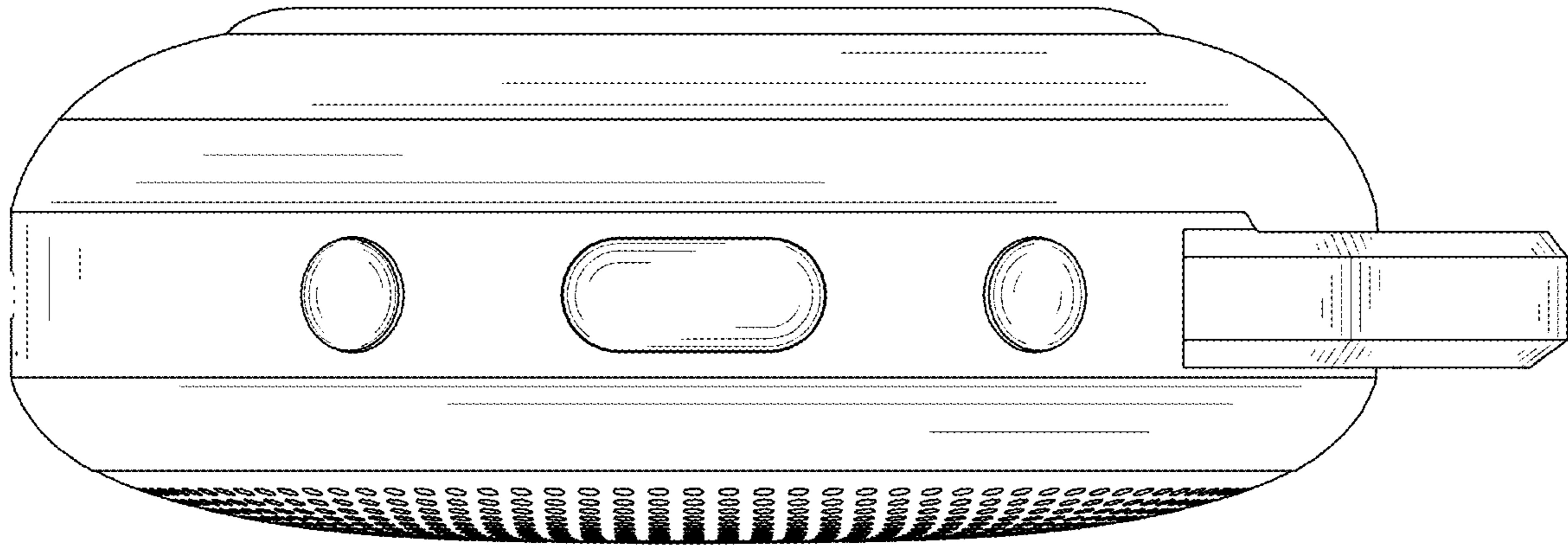


FIG. 7



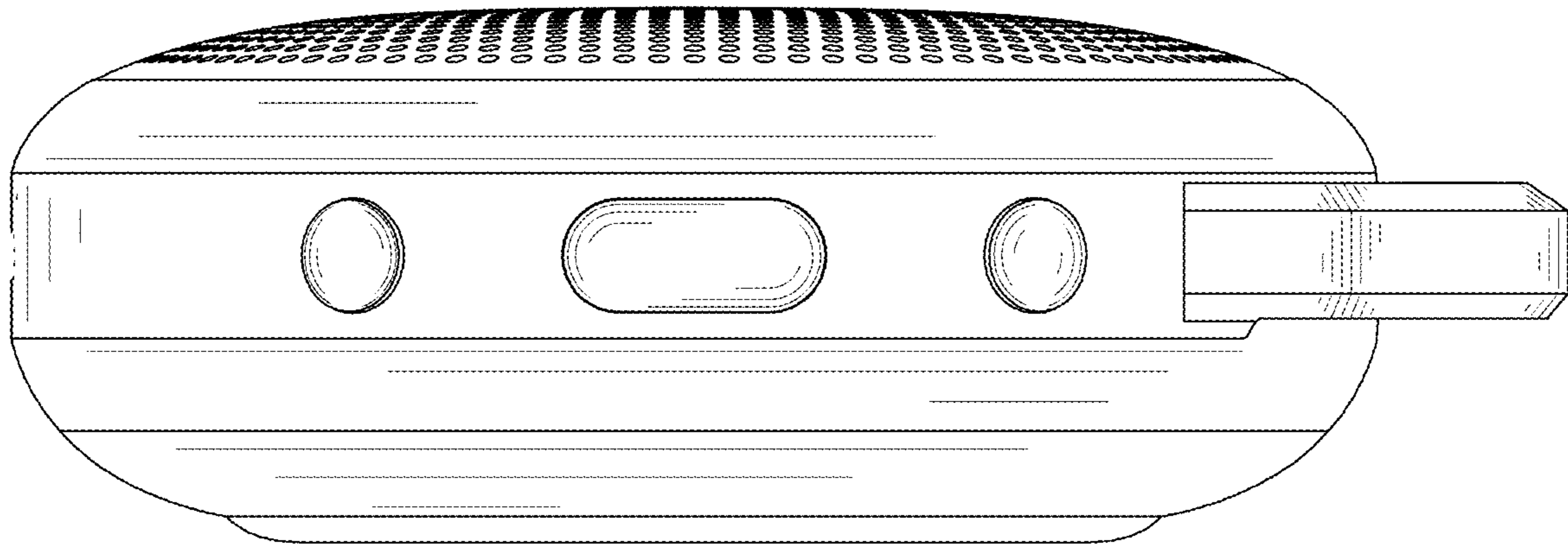


FIG. 8