



US00D965175S

(12) **United States Design Patent**
Vialard et al.

(10) **Patent No.:** **US D965,175 S**
(45) **Date of Patent:** **** Sep. 27, 2022**

(54) **PETRI DISH**

(71) Applicants: **UNIVERSITE DE VERSAILLES SAINT-QUENTIN-EN-YVELINES**, Versailles (FR); **CENTRE HOSPITALIER INTERCOMMUNAL DE POISSY-SAINT-GERMAIN**, Saint-Germain-en Laye (FR); **CENTRE HOSPITALIER UNIVERSITAIRE DE BORDEAUX**, Talence (FR); **UNIVERSITE DE BORDEAUX**, Bordeaux (FR); **CENTRE NATIONAL DE LA RECHERCHE SCIENTIFIQUE**, Paris (FR)

(72) Inventors: **François Vialard**, Paris (FR); **Clément Jimenez**, Paris (FR); **Christophe Geindre**, Pessac (FR); **Bruno Hiberty**, Pessac (FR); **Hugo Ducros**, Pessac (FR)

(73) Assignees: **UNIVERSITE DE VERSAILLES—SAINT QUENTIN EN YVELINES**, Versailles (FR); **CENTRE HOSPITALIER INTERCOMMUNAL DE POISSY-SAINT-GERMAIN**, Saint-Germain-en Laye (FR); **CENTRE HOSPITALIER UNIVERSITAIRE DE BORDEAUX**, Talence (FR); **UNIVERSITE DE BORDEAUX**, Bordeaux (FR); **CENTRE NATIONAL DE LA RECHERCHE SCIENTIFIQUE**, Paris (FR)

(**) Term: **15 Years**

(21) Appl. No.: **29/771,579**

(22) Filed: **Feb. 24, 2021**

(51) **LOC (13) Cl.** **24-02**

(52) **U.S. Cl.**
USPC **D24/224**

(58) **Field of Classification Search**

USPC D24/107, 216–230; D3/200, 201, D3/203.1–203.3, 205, 206, 273, 276, D3/304–310, 313; D6/475, 476, 525; D19/75, 77, 86, 90, 92, 100
CPC C12M 23/10; C12M 33/04; C12M 23/38; C12M 23/46
See application file for complete search history.

(56) **References Cited**

U.S. PATENT DOCUMENTS

3,907,647 A * 9/1975 Sanderson C12M 23/34 435/305.1
D245,118 S * 7/1977 Heaton 211/72
4,255,522 A * 3/1981 Fusenig C12M 23/34 422/417
D459,581 S * 7/2002 Krumes D3/304
D652,617 S * 1/2012 Chen D3/203.3

(Continued)

Primary Examiner — Omeed Agilee

(74) *Attorney, Agent, or Firm* — Cantor Colburn LLP

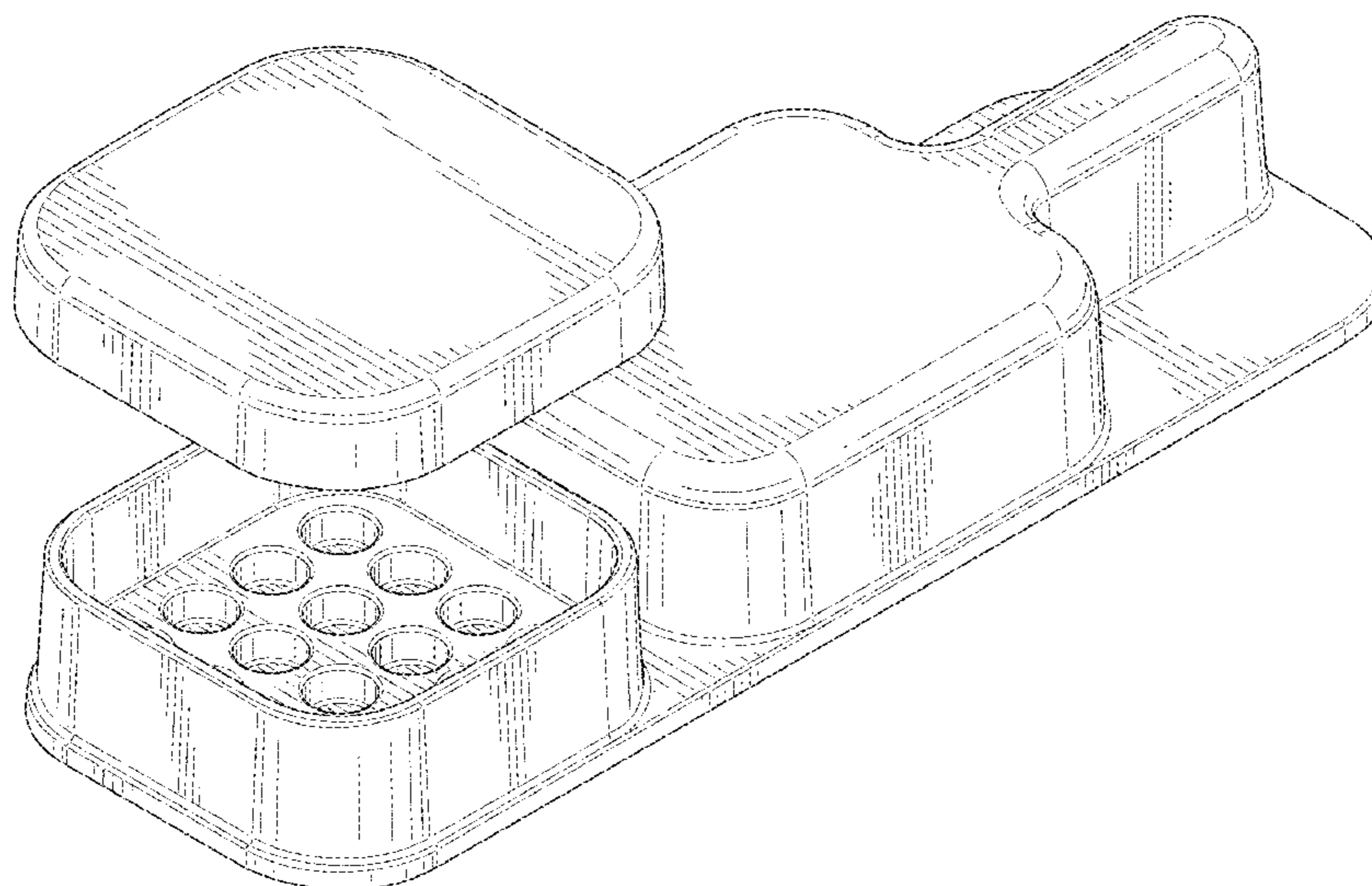
(57) **CLAIM**

We claim, the ornamental design for a petri dish, as shown and described.

DESCRIPTION

FIG. 1 is a perspective view of a petri dish, showing our new design;
FIG. 2 is another perspective view thereof in an open configuration;
FIG. 3 is a front view of the petri dish in a closed configuration;
FIG. 4 is a rear view thereof;
FIG. 5 is a side view thereof, the opposite side being a mirror image; and,
FIG. 6 is a top view thereof.

1 Claim, 5 Drawing Sheets



(56)

References Cited

U.S. PATENT DOCUMENTS

D697,625	S *	1/2014	Montgomery	D24/186
D718,386	S *	11/2014	Packard	D19/86
D846,264	S *	4/2019	Wu	D3/201
D855,199	S *	7/2019	LiCalzi	D24/216
D895,959	S *	9/2020	Guo	D3/203.3
D914,357	S *	3/2021	Chen	D3/203.3
D920,957	S *	6/2021	Zheng	D14/223
D931,058	S *	9/2021	Hamilton	D7/554.3
D932,052	S *	9/2021	Zergiebel	D24/224
2019/0352594	A1 *	11/2019	Matsumoto	C12M 23/16
2020/0095529	A1 *	3/2020	Ramsing	C12M 23/12

* cited by examiner

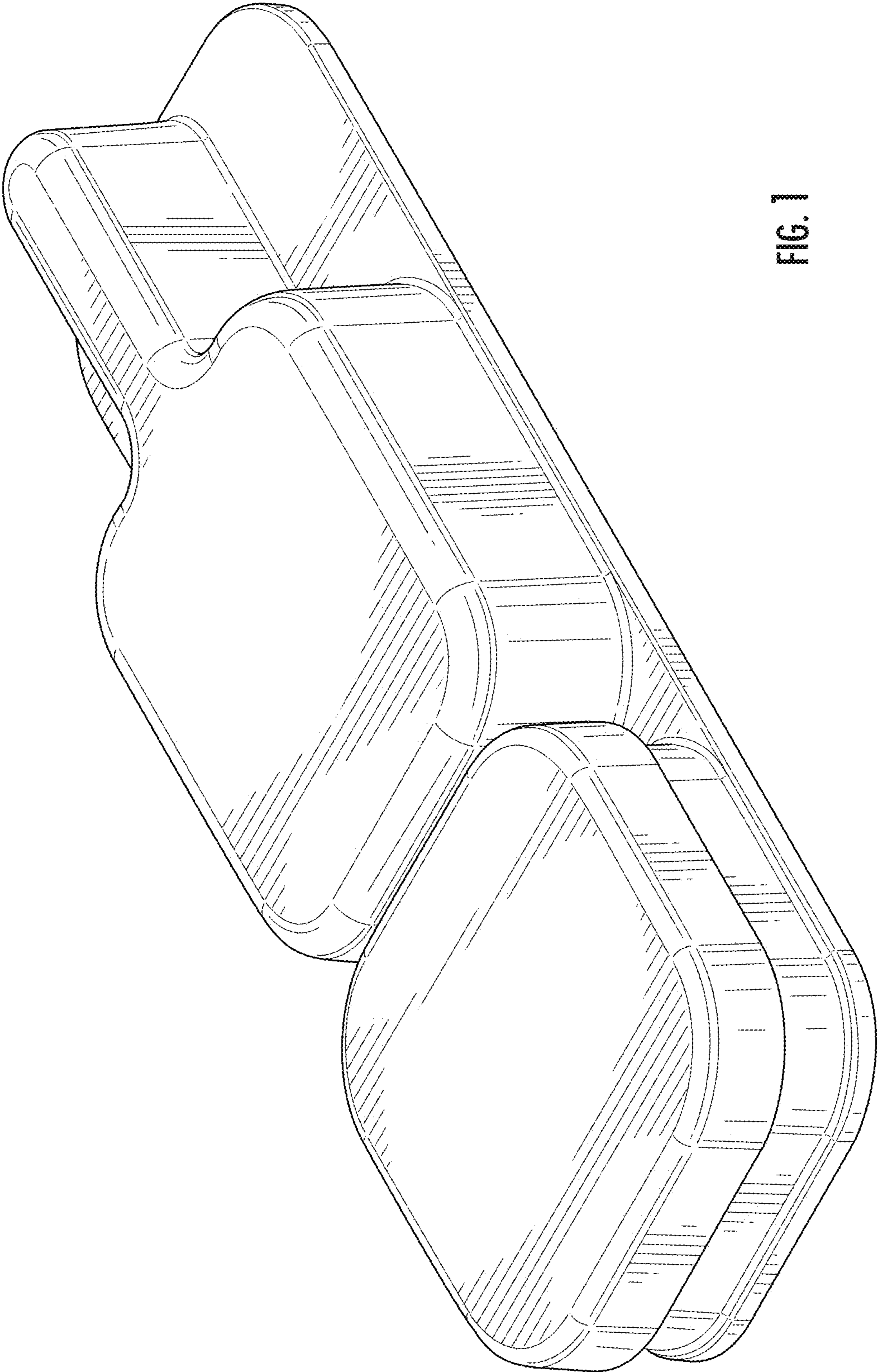


FIG. 1

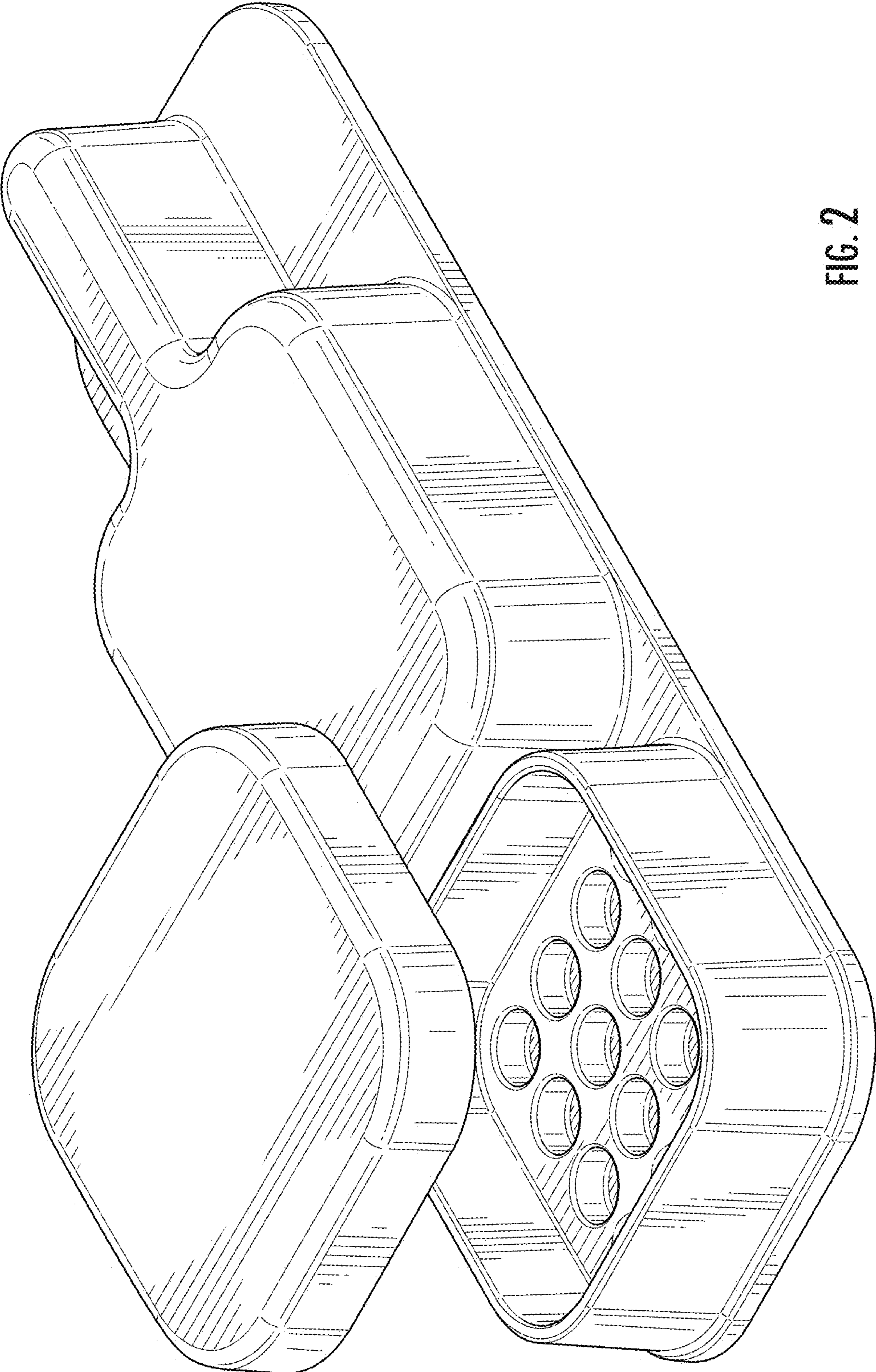


FIG. 2

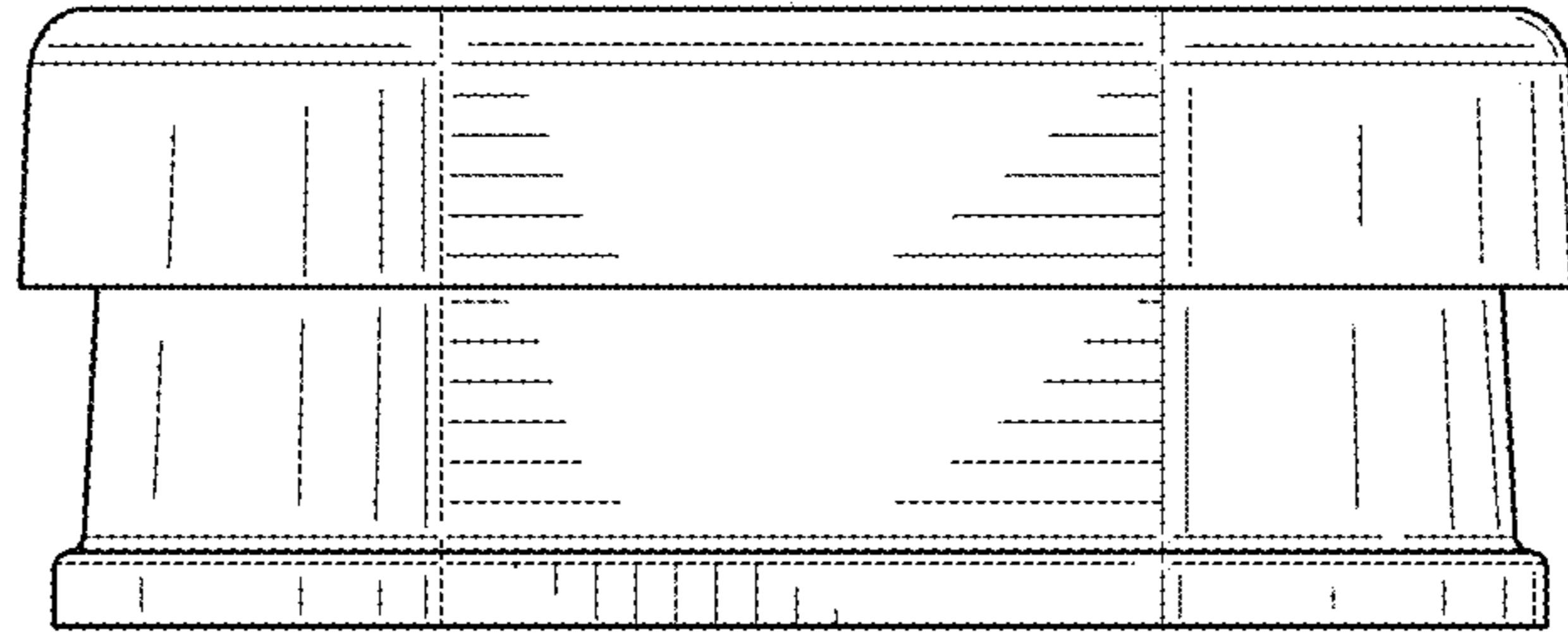


FIG. 3

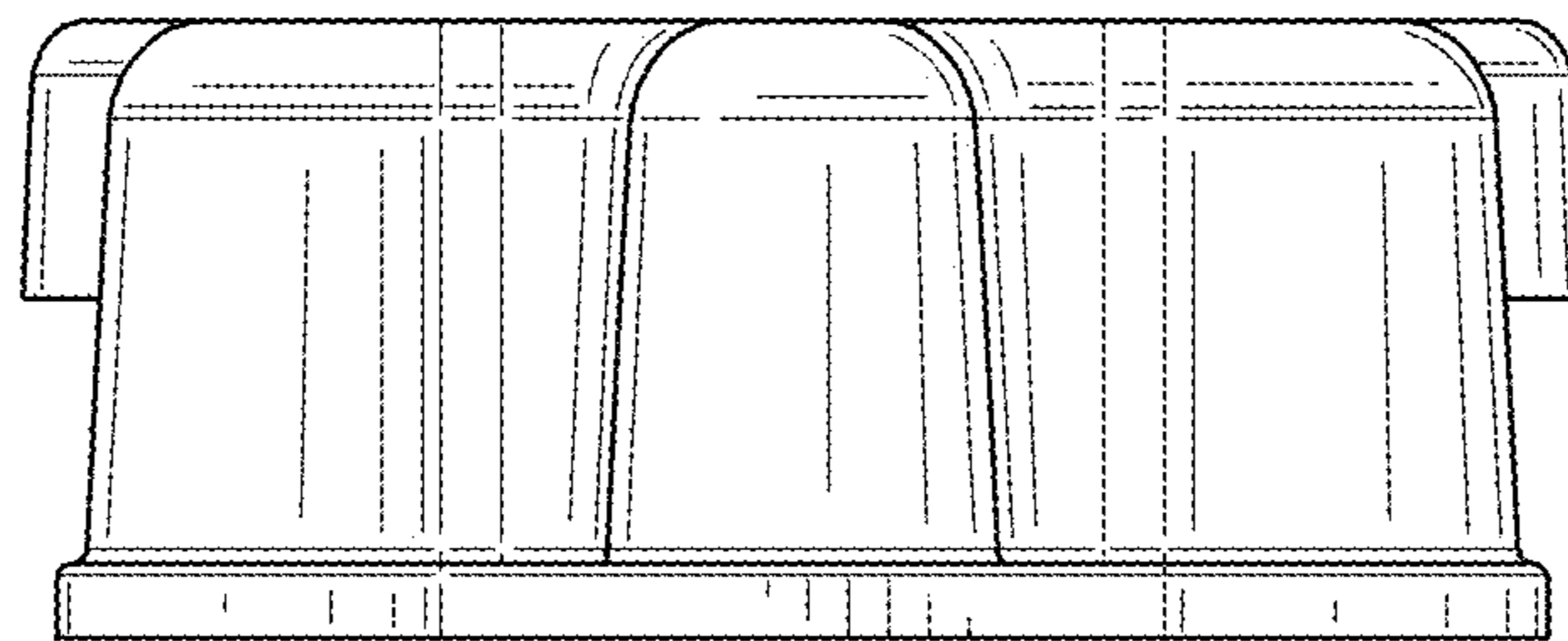


FIG. 4

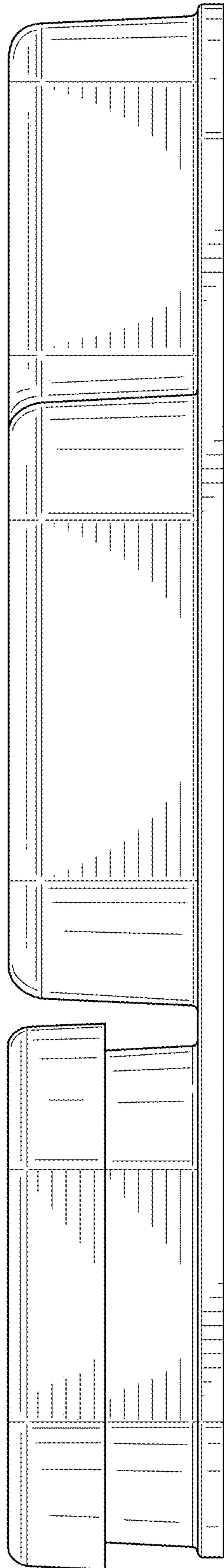


FIG. 5

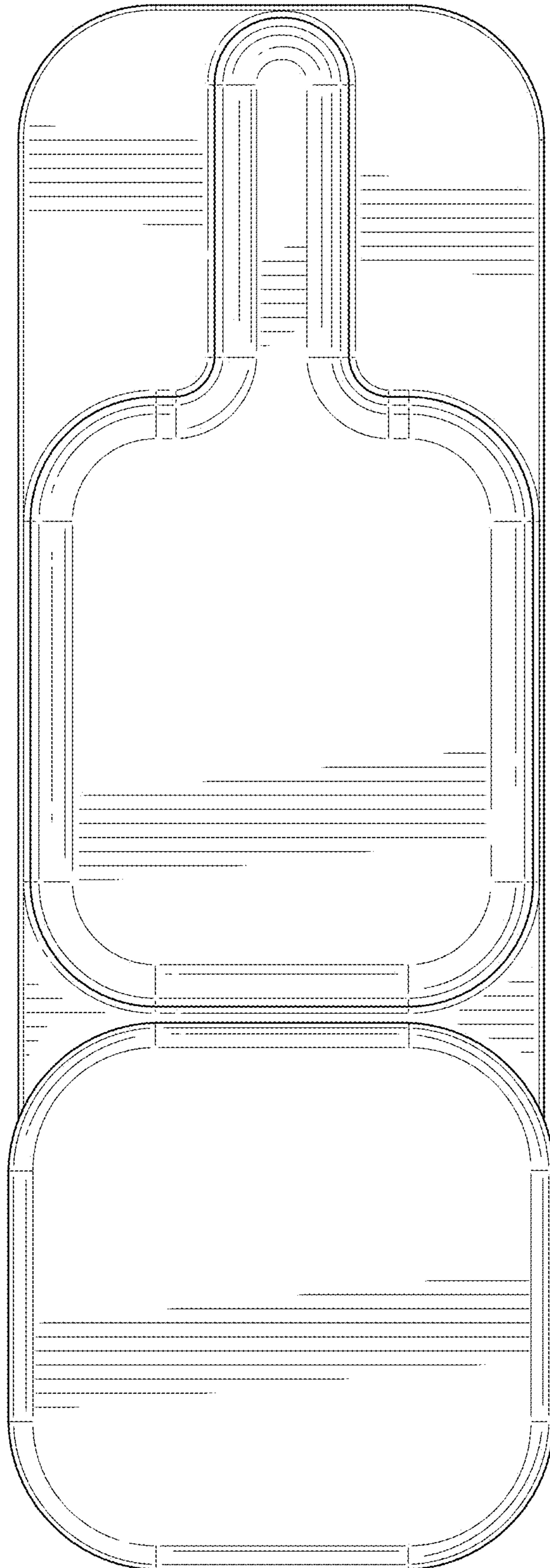


FIG. 6