



US00D965174S

(12) **United States Design Patent**  
**Jia et al.**

(10) **Patent No.:** **US D965,174 S**

(45) **Date of Patent:** **\*\* Sep. 27, 2022**

(54) **SPECIMEN COLLECTION TUBE**

(71) Applicant: **ZYMO RESEARCH CORPORATION**, Irvine, CA (US)

(72) Inventors: **Xi-Yu Jia**, Irvine, CA (US); **Marc E. Van Eden**, Irvine, CA (US); **Stanislav Forman**, Irvine, CA (US)

(73) Assignee: **ZYMO RESEARCH CORPORATION**, Irvine, CA (US)

(\*\*) Term: **15 Years**

(21) Appl. No.: **29/743,082**

(22) Filed: **Jul. 17, 2020**

(51) **LOC (13) Cl.** ..... **24-02**

(52) **U.S. Cl.**  
USPC ..... **D24/224**

(58) **Field of Classification Search**  
USPC ..... D24/107, 121-123, 216-217, 219, D24/223-227, 229-231, 232; D9/504, D9/516, 519, 529, 549, 574, 715, 719; D3/201, 203.1, 203.2  
CPC ... B29C 65/665; A61B 10/0045; A61B 5/154; A61J 1/1468; B01L 3/50825; B65D 41/04  
See application file for complete search history.

(56) **References Cited**

**U.S. PATENT DOCUMENTS**

3,164,279	A *	1/1965	Towns	.....	C12M 23/38
					215/227
4,832,917	A *	5/1989	Elliott	.....	B01L 3/5082
					215/373
5,384,096	A *	1/1995	Burns	.....	C07C 19/08
					422/549
D356,643	S *	3/1995	Burns	.....	D24/224
D385,793	S *	11/1997	Marsal	.....	D24/224
D445,908	S *	7/2001	Conway	.....	D24/216
6,426,049	B1 *	7/2002	Rosen	.....	B01L 3/50825
					215/247
D743,571	S *	11/2015	Jackson	.....	D24/216

D850,647	S *	6/2019	Jackson	.....	D24/224
D890,359	S *	7/2020	Jackson	.....	D24/224
D940,893	S *	1/2022	Wisherd	.....	D24/216

(Continued)

**OTHER PUBLICATIONS**

Collect, Preserve, Discover: DNA/RNA Shield. Online, published date unknown. Retrieved on Jan. 22, 2022 from URL: [https://files.zymoresearch.com/pdf/B1010-V02-Collect.Preserved.%20Discover.%20DNA\\_RNA%20Shield%20Brochure.pdf](https://files.zymoresearch.com/pdf/B1010-V02-Collect.Preserved.%20Discover.%20DNA_RNA%20Shield%20Brochure.pdf).\*

(Continued)

*Primary Examiner* — Omeed Agilee

(74) *Attorney, Agent, or Firm* — Parker Highlander PLLC

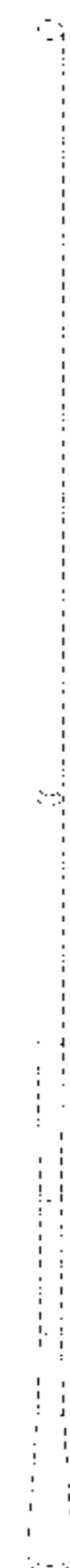
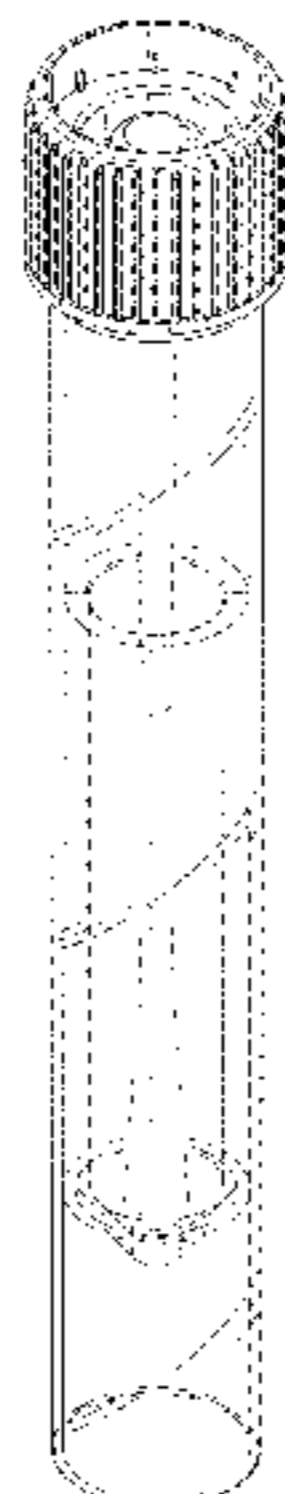
(57) **CLAIM**

We claim the ornamental design for a specimen collection tube, as shown and described.

**DESCRIPTION**

FIG. 1 is a front perspective view of the specimen collection tube in accordance with the present design;  
FIG. 2 is a front elevation of the specimen collection tube of FIG. 1;  
FIG. 3 is a rear elevation view of the specimen collection tube of FIG. 1;  
FIG. 4 is a left side plan view of the specimen collection tube of FIG. 1;  
FIG. 5 is a right side plan view of the specimen collection tube of FIG. 1;  
FIG. 6 is a top plan view of the specimen collection tube of FIG. 1;  
FIG. 7 is a bottom plan view of the specimen collection tube of FIG. 1; and,  
FIG. 8 is an exploded front perspective view of the specimen collection tube of FIG. 1.  
The broken lines in the drawings depict portions of the specimen collection tube that form no part of the claimed design.

**1 Claim, 7 Drawing Sheets**



(56)

**References Cited**

U.S. PATENT DOCUMENTS

2002/0127147 A1\* 9/2002 Kacian ..... B01L 3/565  
422/570  
2008/0017577 A1\* 1/2008 Yi ..... B01L 3/50825  
210/645  
2019/0265134 A1\* 8/2019 Ivosevic ..... A61B 5/150213  
2020/0197925 A1\* 6/2020 Ivosevic ..... A61B 5/15074  
2021/0237056 A1\* 8/2021 Tsai ..... B01L 3/50825

OTHER PUBLICATIONS

“Costa Mesa lab retooled to test for coronavirus now reads 1000 tests a day and is ready for more Los Angeles Times” which was published on the website <https://www.latimes.com/socal/dailypilot/news/story/2020-05-14/costa-mesa-lab-retooled-to-test-for-coronavirus-now-reads-1-000-tests-a-dayand-is-ready-for-more> on May 14, 2020.

“Daily Pilot.pdf” which was published on Jun. 11, 2020.

“DNARNA Shield Swab and Collection Tubes” which was published on the website <https://web.archive.org/web/20200406180959/http://www.integratedsci.com.au/product/dnarna-shieldswab-and-collection-tubes.html> on Apr. 6, 2020.

“Facebook” which was published on the website <https://www.facebook.com/KryptoGenetics.lk/photos/pcb.911590462613699/911586925947386/> on Mar. 29, 2020.

“Facebook” which was published on the website <https://www.facebook.com/KryptoGenetics.lk/photos/pcb.911590462613699/911587262614019/> on Mar. 29, 2020.

Office Communication issued in corresponding Australian Application No. 202016795, dated May 11, 2021.

Office Communication issued in corresponding Australian Application No. 202016795, dated Jun. 21, 2021.

\* cited by examiner

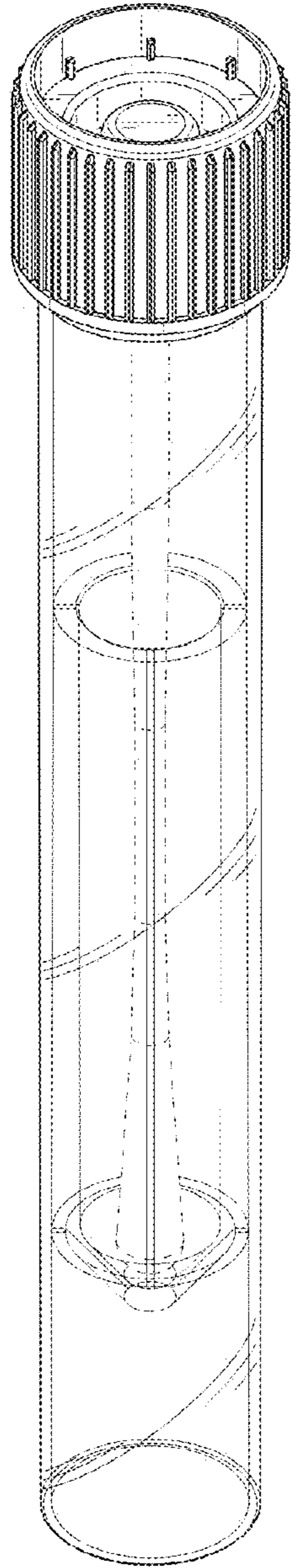


FIG. 1

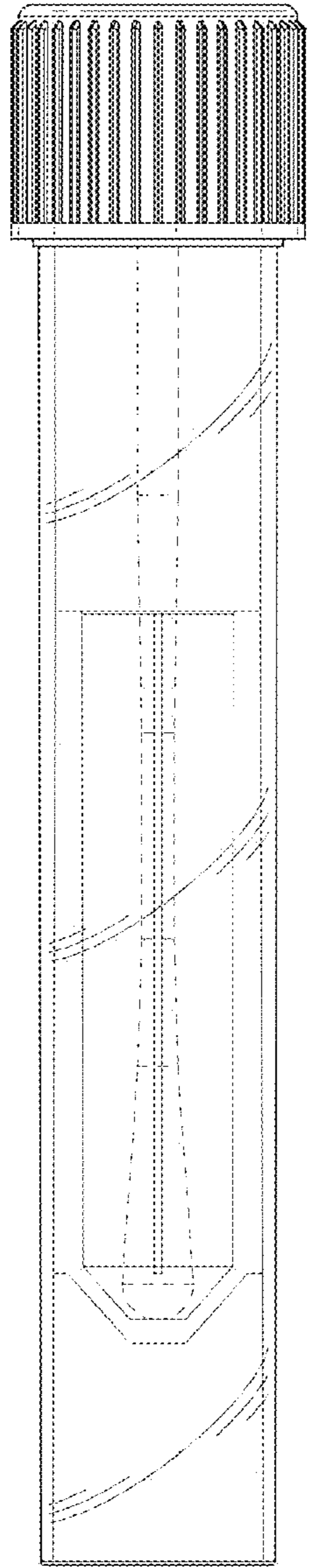
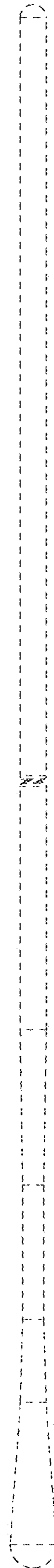


FIG. 2



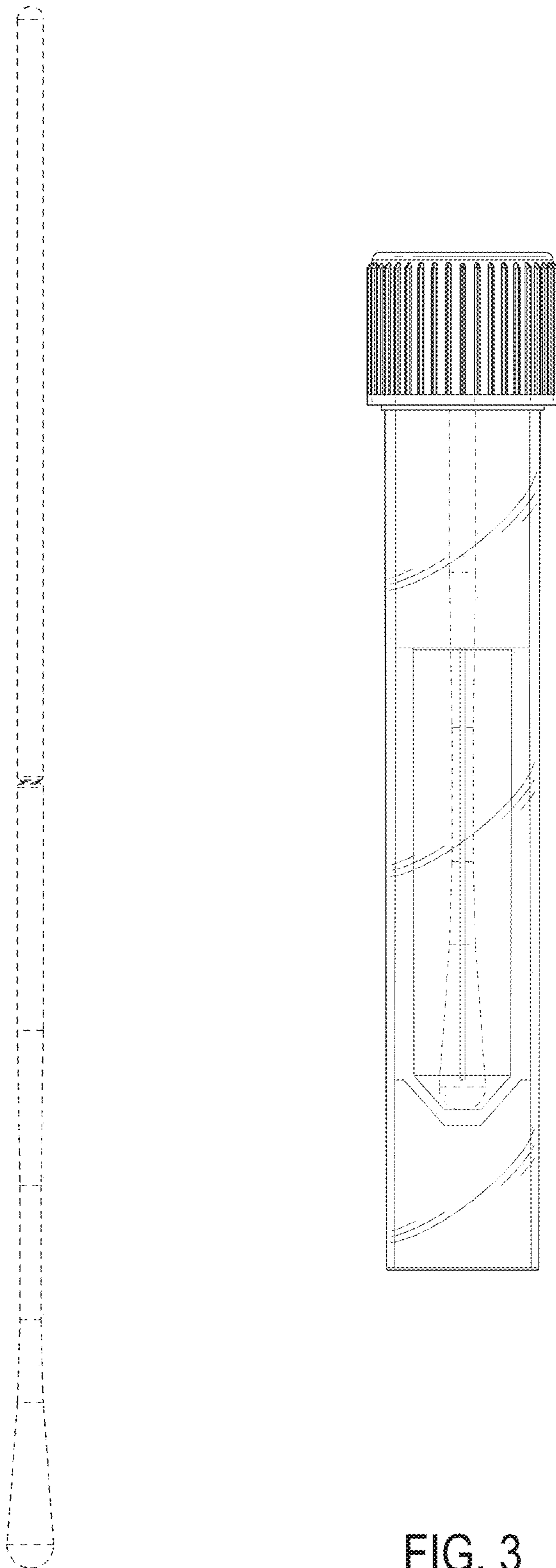


FIG. 3

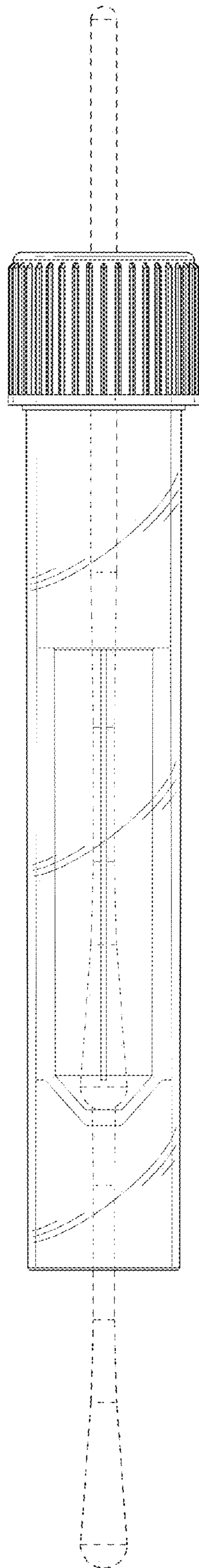


FIG. 4

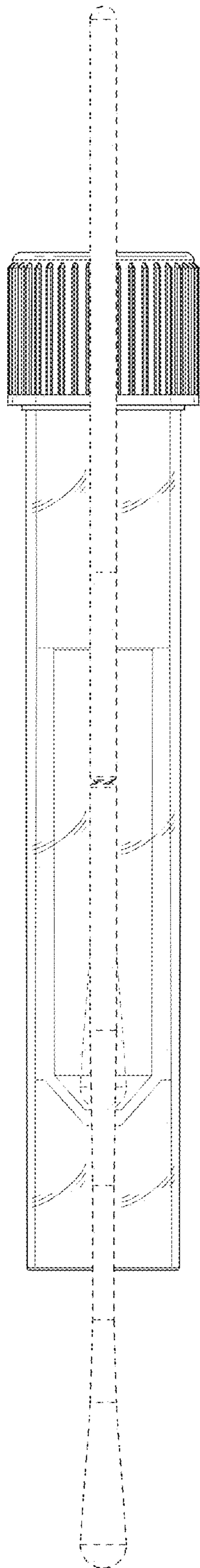


FIG. 5

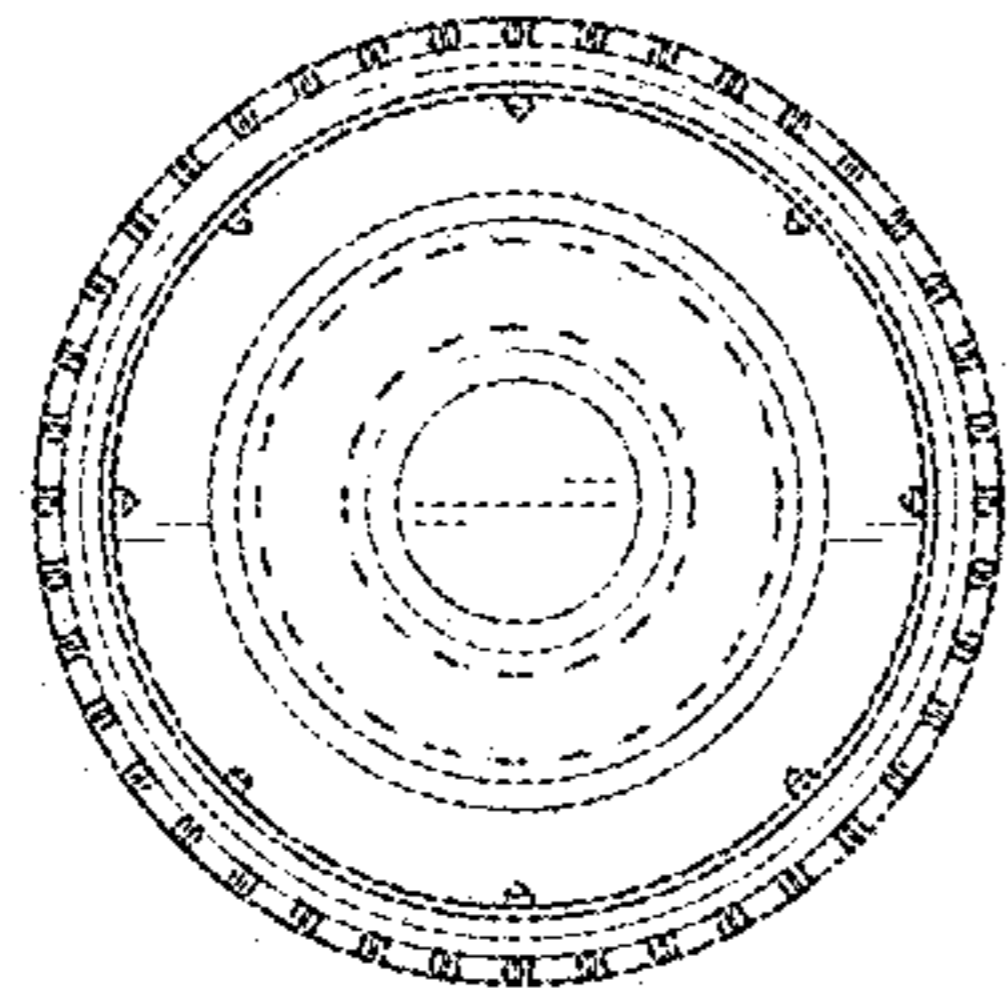


FIG. 6

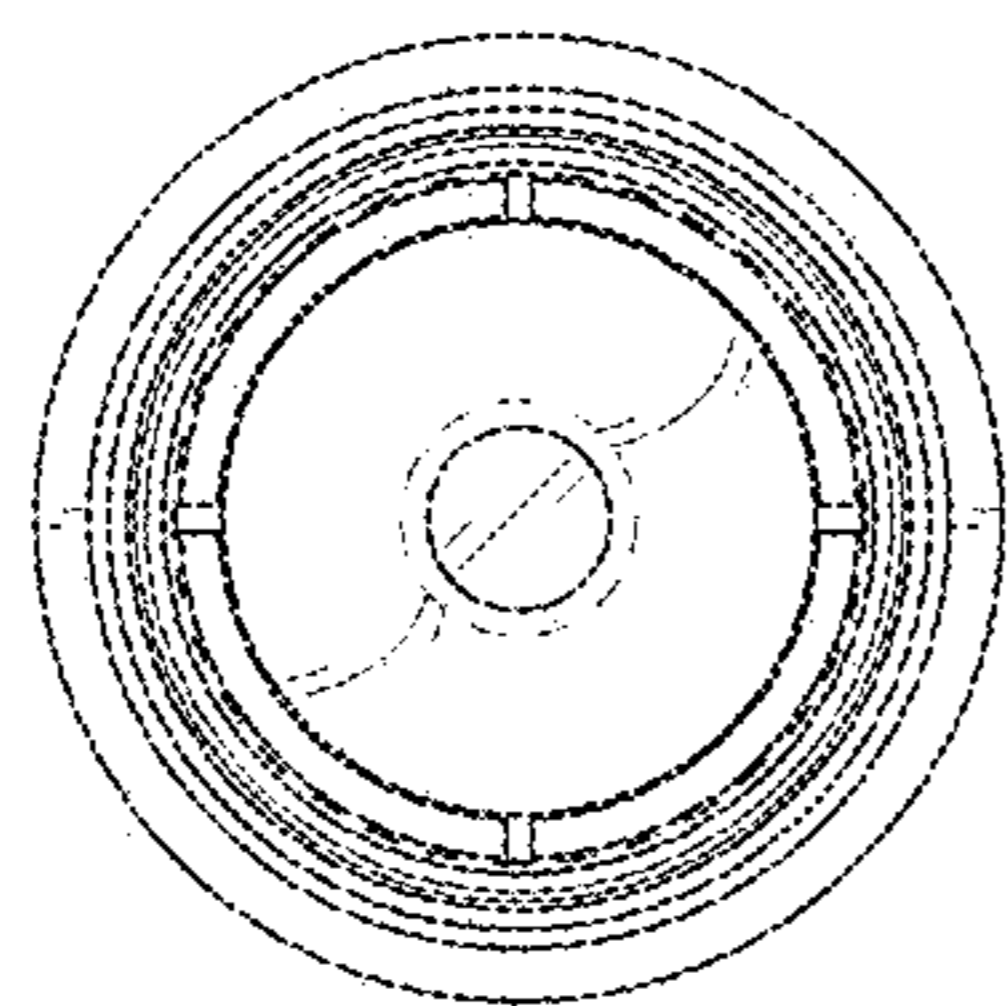


FIG. 7



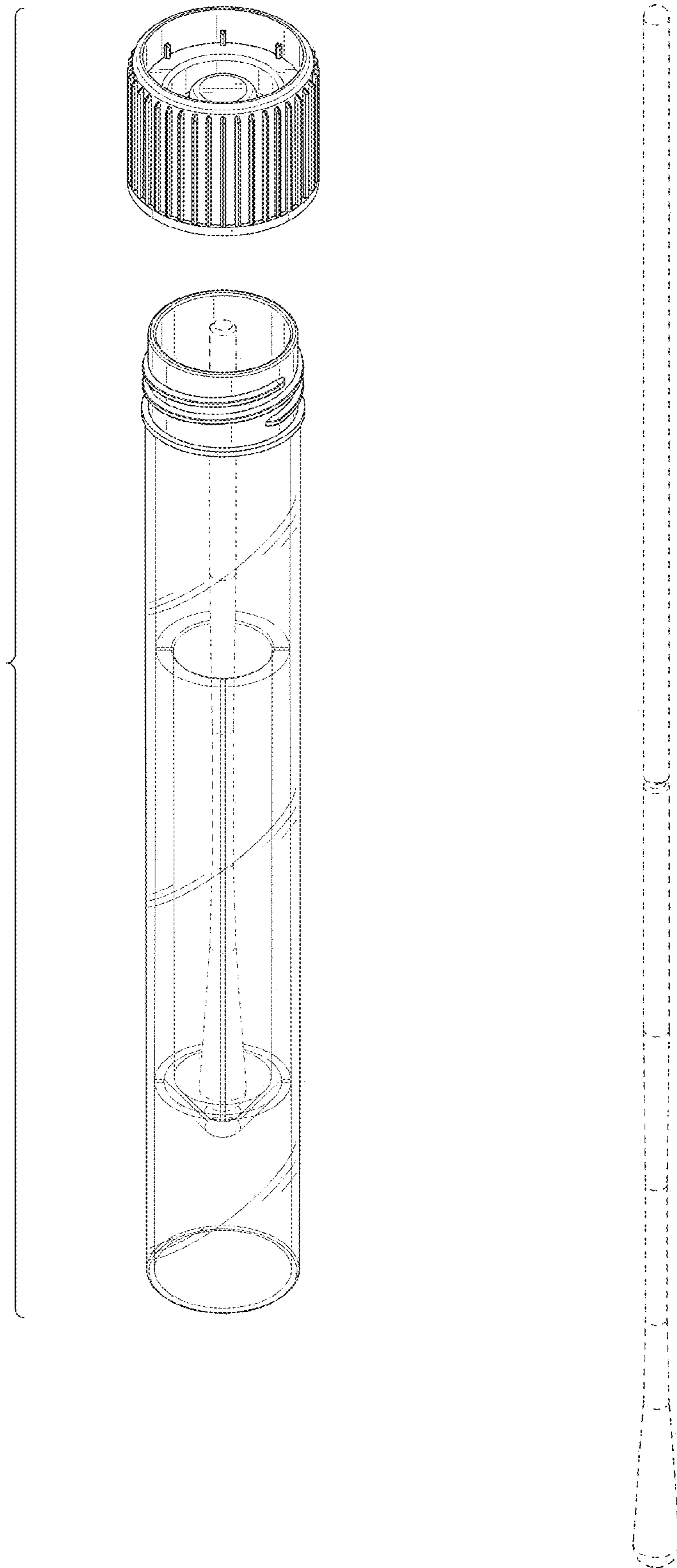


FIG. 8