



US00D965173S

(12) **United States Design Patent**  
**Yang**

(10) **Patent No.:** **US D965,173 S**  
(45) **Date of Patent:** **\*\* Sep. 27, 2022**

(54) **STERILIZER**  
(71) Applicant: **SHENZHEN ANTOP TECHNOLOGY CO., LTD**, Shenzhen (CN)  
(72) Inventor: **Ruidian Yang**, Shenzhen (CN)  
(73) Assignee: **SHENZHEN ANTOP TECHNOLOGY CO., LTD**, Shenzhen (CN)

D514,678 S \* 2/2006 Julos ..... D23/364  
7,914,596 B2 \* 3/2011 Miyazaki ..... A61L 9/16  
55/471  
D657,857 S \* 4/2012 Choi ..... D23/364  
D796,020 S \* 8/2017 Lee ..... D23/364  
D810,259 S \* 2/2018 You ..... D23/364  
D877,928 S \* 3/2020 Nathan ..... D24/217  
D885,543 S \* 5/2020 Wang ..... D23/364  
D896,398 S \* 9/2020 Liu ..... D24/217  
D943,725 S \* 2/2022 Shalvi ..... D23/364  
2005/0175512 A1 \* 8/2005 Yuen ..... A61L 9/16  
422/121

(\*\*) Term: **15 Years**

\* cited by examiner

(21) Appl. No.: **29/763,392**

*Primary Examiner* — Anhdao Doan

(22) Filed: **Dec. 22, 2020**

(74) *Attorney, Agent, or Firm* — Avek IP, LLC; Kent R Erickson

(30) **Foreign Application Priority Data**

Nov. 13, 2020 (CN) ..... 202030687916.5

(51) **LOC (13) Cl.** ..... **24-01**

(52) **U.S. Cl.**  
USPC ..... **D24/217; D23/364**

(58) **Field of Classification Search**  
USPC ..... D24/107, 209, 210, 216, 217, 218, 231,  
D24/232, 234; D32/1, 25; D23/355,  
D23/364, 365  
CPC ..... A61L 2/10; A61L 2/24; A61L 2202/16;  
A61L 2202/25; A61L 2202/14; A61L  
9/02; A61L 9/03; A61L 9/12; A61L 9/16;  
F24F 8/10

See application file for complete search history.

(56) **References Cited**

**U.S. PATENT DOCUMENTS**

4,877,990 A \* 10/1989 Fiorenzano, Jr. .... A61L 9/16  
392/485  
D503,787 S \* 4/2005 Koike ..... D23/364

(57) **CLAIM**

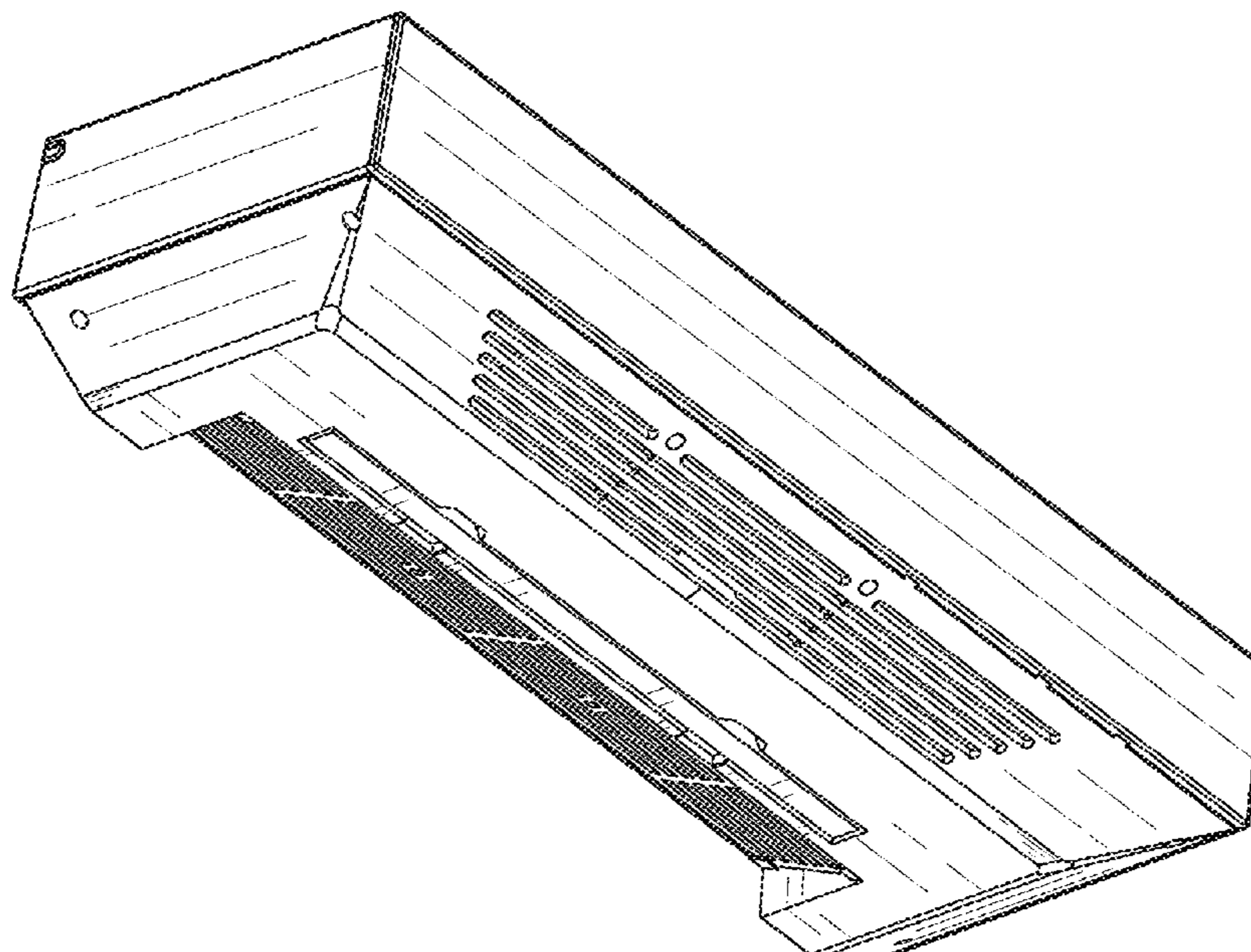
The ornamental design for a sterilizer, as shown and described.

**DESCRIPTION**

FIG. 1 is a front-bottom perspective view of a sterilizer of the present disclosure;  
FIG. 2 is a rear-top perspective view thereof;  
FIG. 3 is a front elevational view thereof;  
FIG. 4 is a rear elevational view thereof;  
FIG. 5 is a left-side elevational view thereof;  
FIG. 6 is a right-side elevational view thereof;  
FIG. 7 is a top plan view thereof; and,  
FIG. 8 is a bottom plan view thereof.

The broken lines shown in the drawings are for the purpose of illustrating portions of the sterilizer and form no part of the claimed design.

**1 Claim, 8 Drawing Sheets**



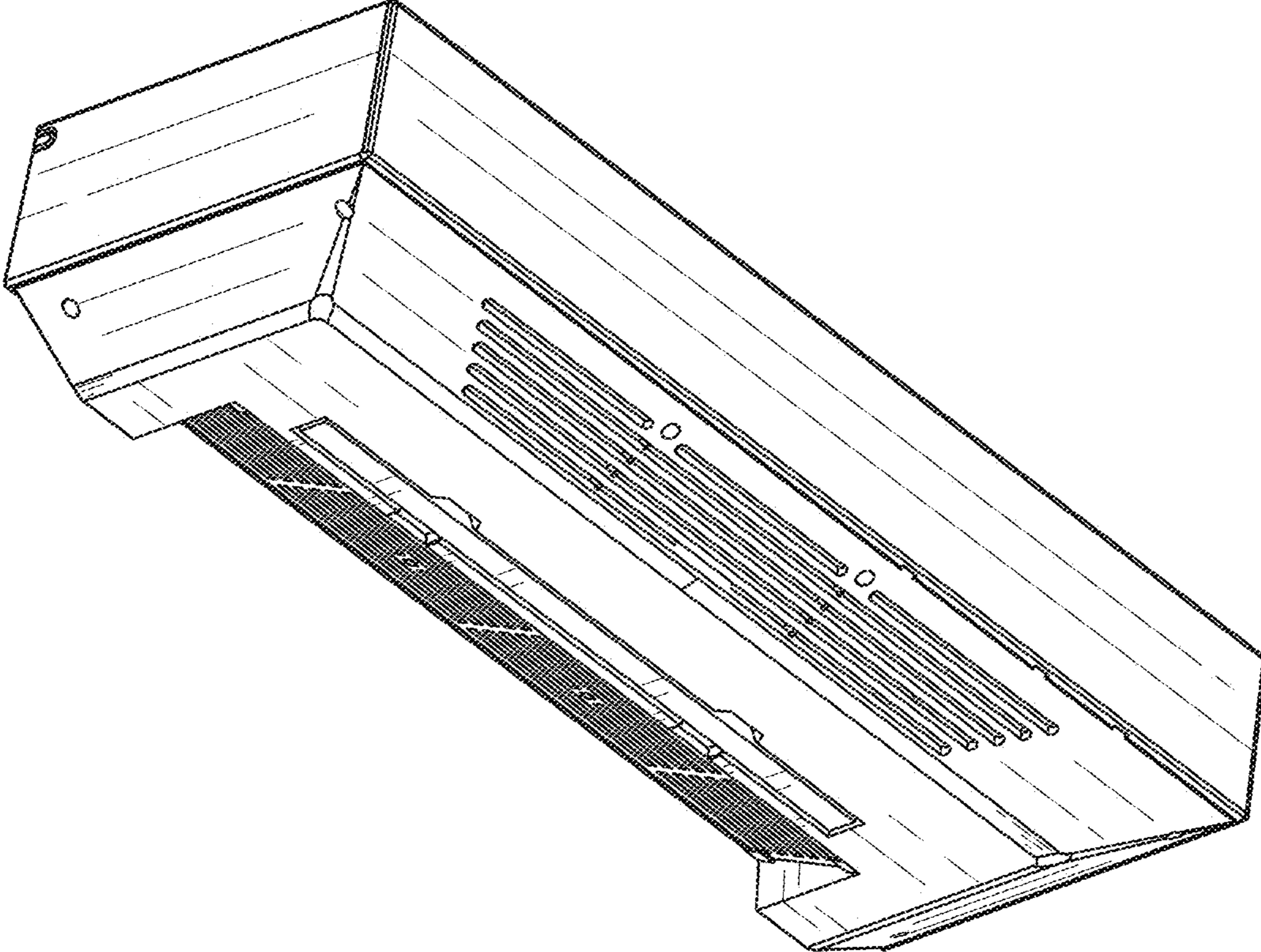


FIG. 1

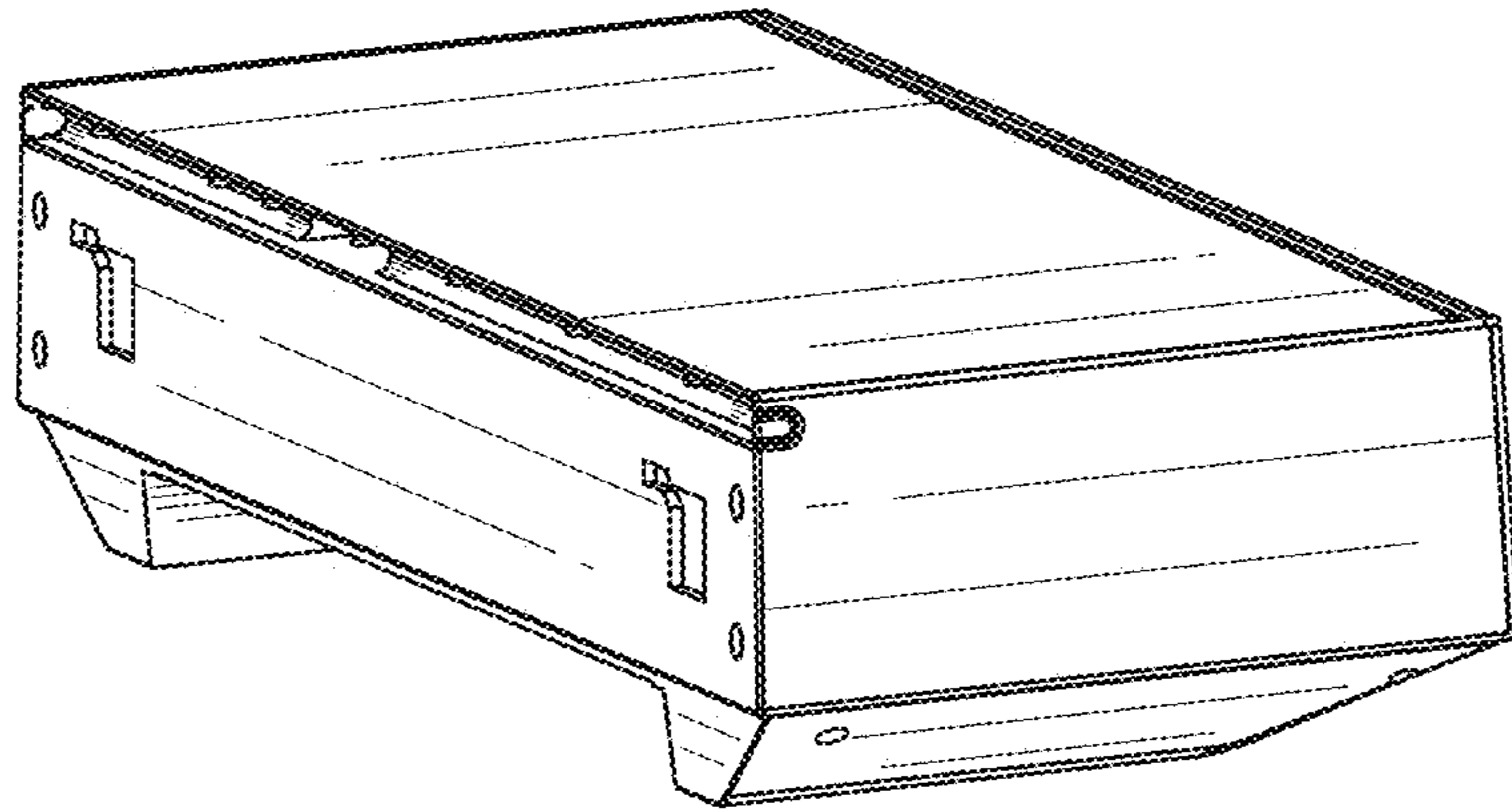


FIG. 2

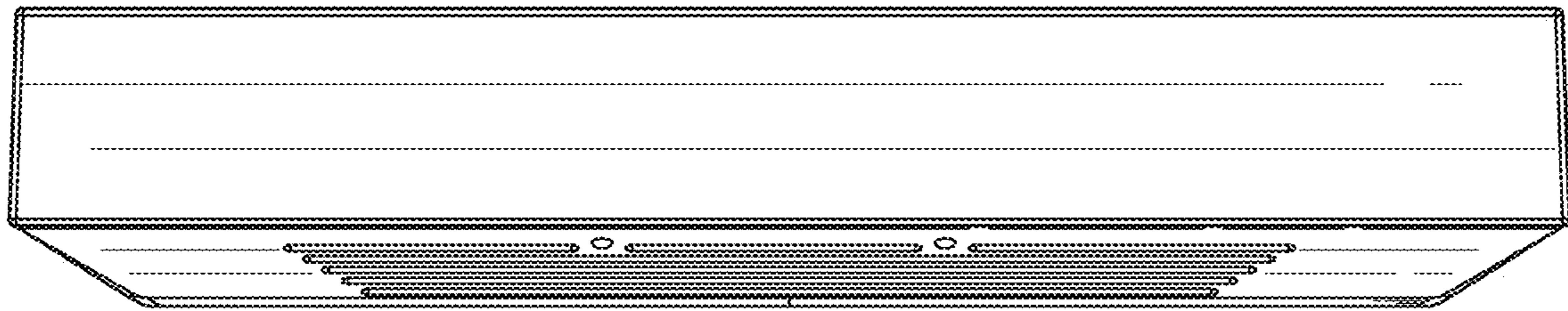


FIG. 3

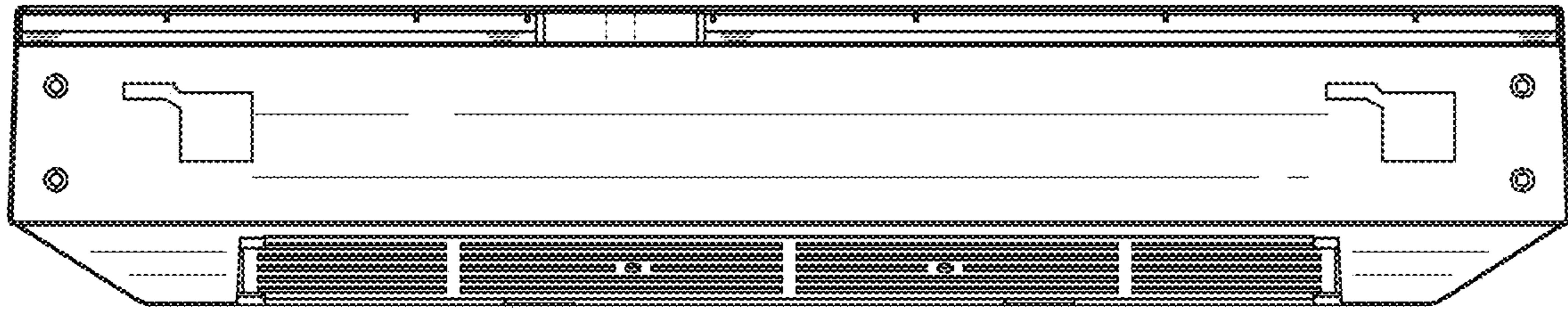


FIG. 4



FIG. 5

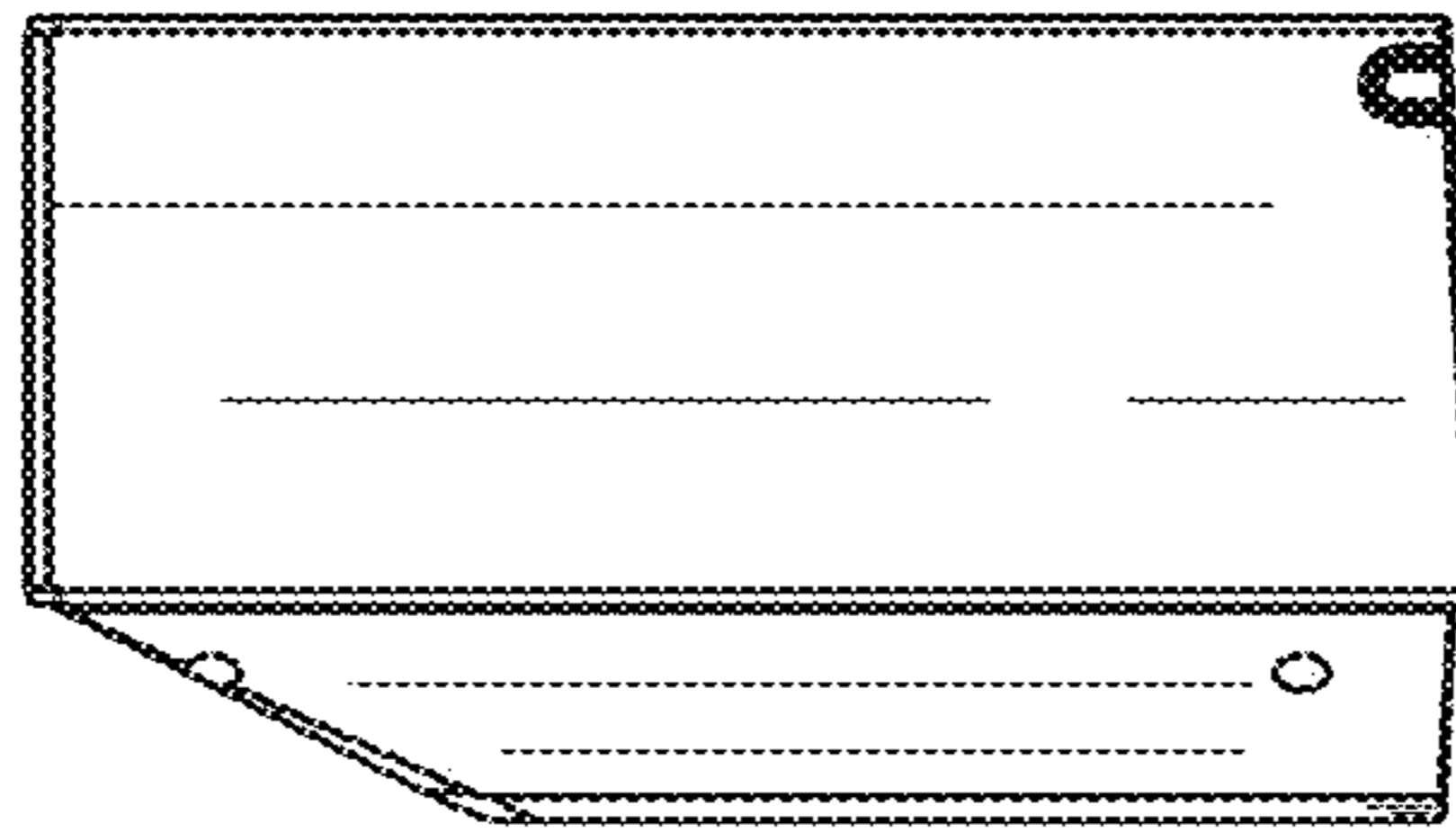


FIG. 6



FIG. 7



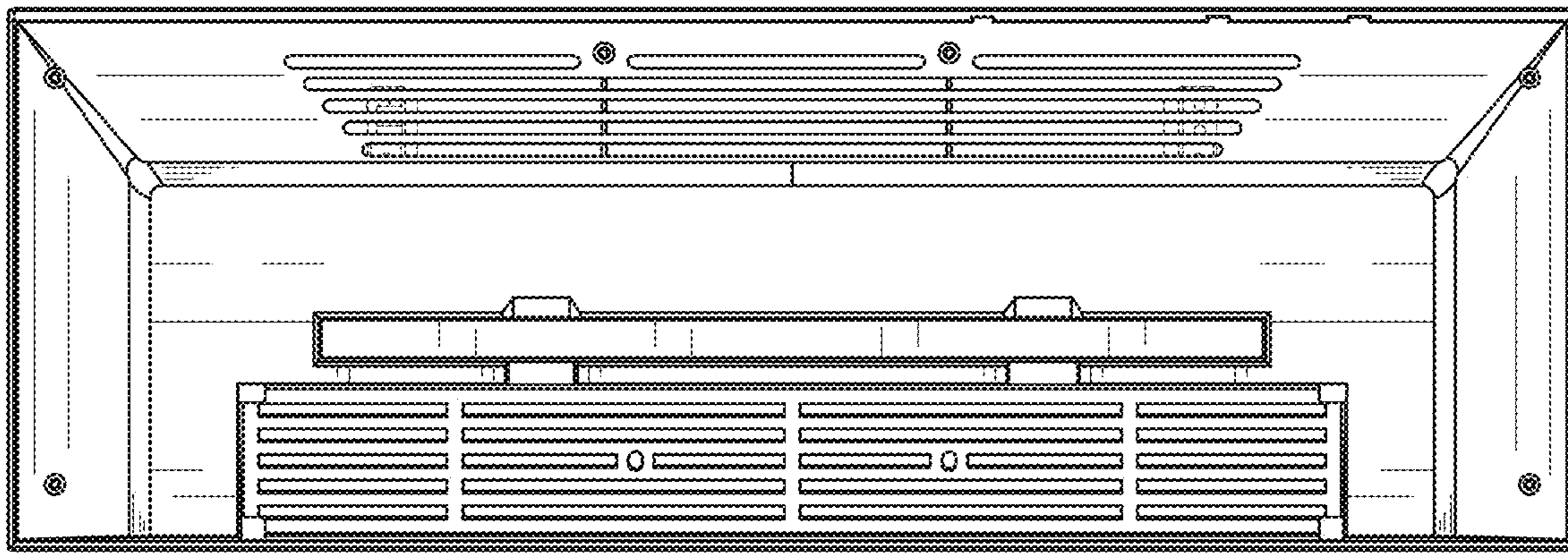


FIG. 8