



US00D965171S

(12) **United States Design Patent** (10) **Patent No.:** **US D965,171 S**
Ui et al. (45) **Date of Patent:** **** Sep. 27, 2022**

(54) **FECAL OCCULT BLOOD ANALYZER**

D869,310 S * 12/2019 Nagasawa D24/216
D869,313 S * 12/2019 Zeng D10/88
D932,929 S * 10/2021 Stone D24/216
2008/0063567 A1 * 3/2008 Schacher G01N 35/025
422/68.1

(71) Applicant: **EIKEN KAGAKU KABUSHIKI**
KAISHA, Tokyo (JP)

(Continued)

(72) Inventors: **Kento Ui**, Tokyo (JP); **Yujiro Akuta**,
Mitaka (JP); **Kazuki Fukuyama**,
Mitaka (JP); **Munetaka Ichikawa**,
Mitaka (JP); **Kazusuke Kotani**, Tokyo
(JP)

FOREIGN PATENT DOCUMENTS

CN 302883456 7/2014
CN 201530405863 * 2/2016

(Continued)

(**) Term: **15 Years**

Primary Examiner — Anhdao Doan

(21) Appl. No.: **29/763,205**

(74) *Attorney, Agent, or Firm* — Soei Patent & Law Firm

(22) Filed: **Dec. 22, 2020**

(57) **CLAIM**

(30) **Foreign Application Priority Data**

The ornamental design for a fecal occult blood analyzer, as shown and described.

Jun. 24, 2020 (JP) 2020-012683

DESCRIPTION

(51) **LOC (13) Cl.** **24-01**

(52) **U.S. Cl.**

USPC **D24/216**

(58) **Field of Classification Search**

USPC D24/107, 185, 186, 216, 219, 231–234;
D10/81

CPC G01N 2035/00306; G01N 2035/00326;
G01N 2035/00336; G01N 2030/027;
G01N 21/76; G01N 2035/00039; G01N
2035/00049; G01N 35/00029

See application file for complete search history.

FIG. 1 is a front view of a fecal occult blood analyzer, of the present invention;

FIG. 2 is a rear view thereof;

FIG. 3 is a top plan view thereof;

FIG. 4 is a bottom plan view thereof;

FIG. 5 is a right side view thereof;

FIG. 6 is a left side view thereof;

FIG. 7 is a front, top plan and left side perspective view thereof;

FIG. 8 is a rear, bottom plan and right side perspective view thereof;

FIG. 9 is an enlarged cross-sectional view with the inner mechanism omitted along the line 9-9 in FIG. 3;

FIG. 10 is an enlarged cross-sectional view with the inner mechanism omitted along the line 10-10 in FIG. 3; and,

FIG. 11 is an enlarged cross-sectional view with the inner mechanism omitted along the line 11-11 in FIG. 3.

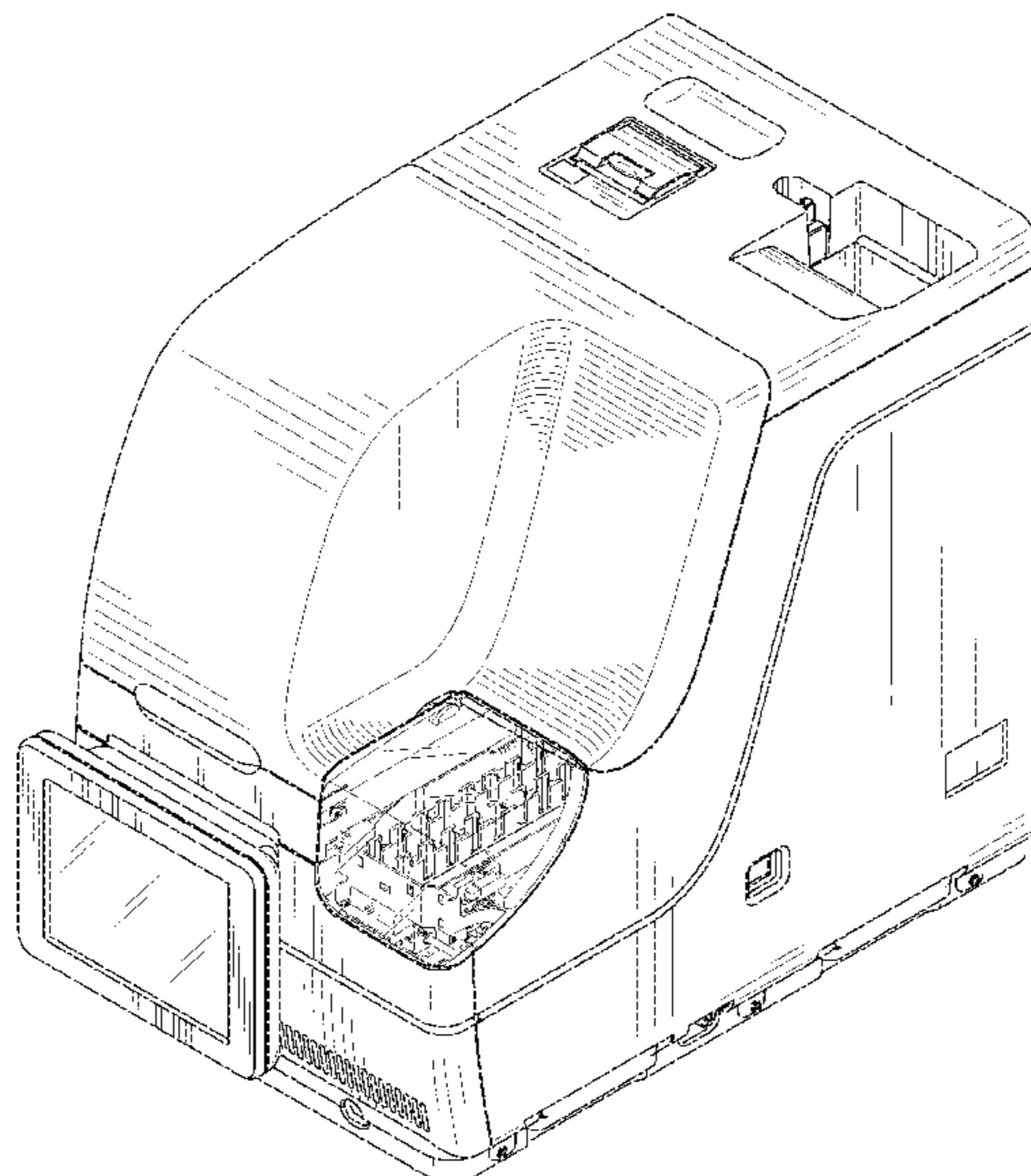
The broken lines showing portions of the fecal occult blood analyzer form no part of the claimed design.

(56) **References Cited**

U.S. PATENT DOCUMENTS

D638,545 S * 5/2011 Okawa D24/186
D682,441 S * 5/2013 Kim D24/216
D782,058 S * 3/2017 Wan D24/216
D782,690 S * 3/2017 Kurihara D24/216
D783,175 S * 4/2017 Hosokawa D24/216
D837,402 S * 1/2019 Kim D24/232
D854,703 S * 7/2019 Juhlin D24/216

1 Claim, 11 Drawing Sheets



(56)

References Cited

U.S. PATENT DOCUMENTS

2014/0073517 A1* 3/2014 Zhou G01N 35/1002
435/6.12

FOREIGN PATENT DOCUMENTS

JP 1651936 2/2020
TW D198371 7/2019

* cited by examiner

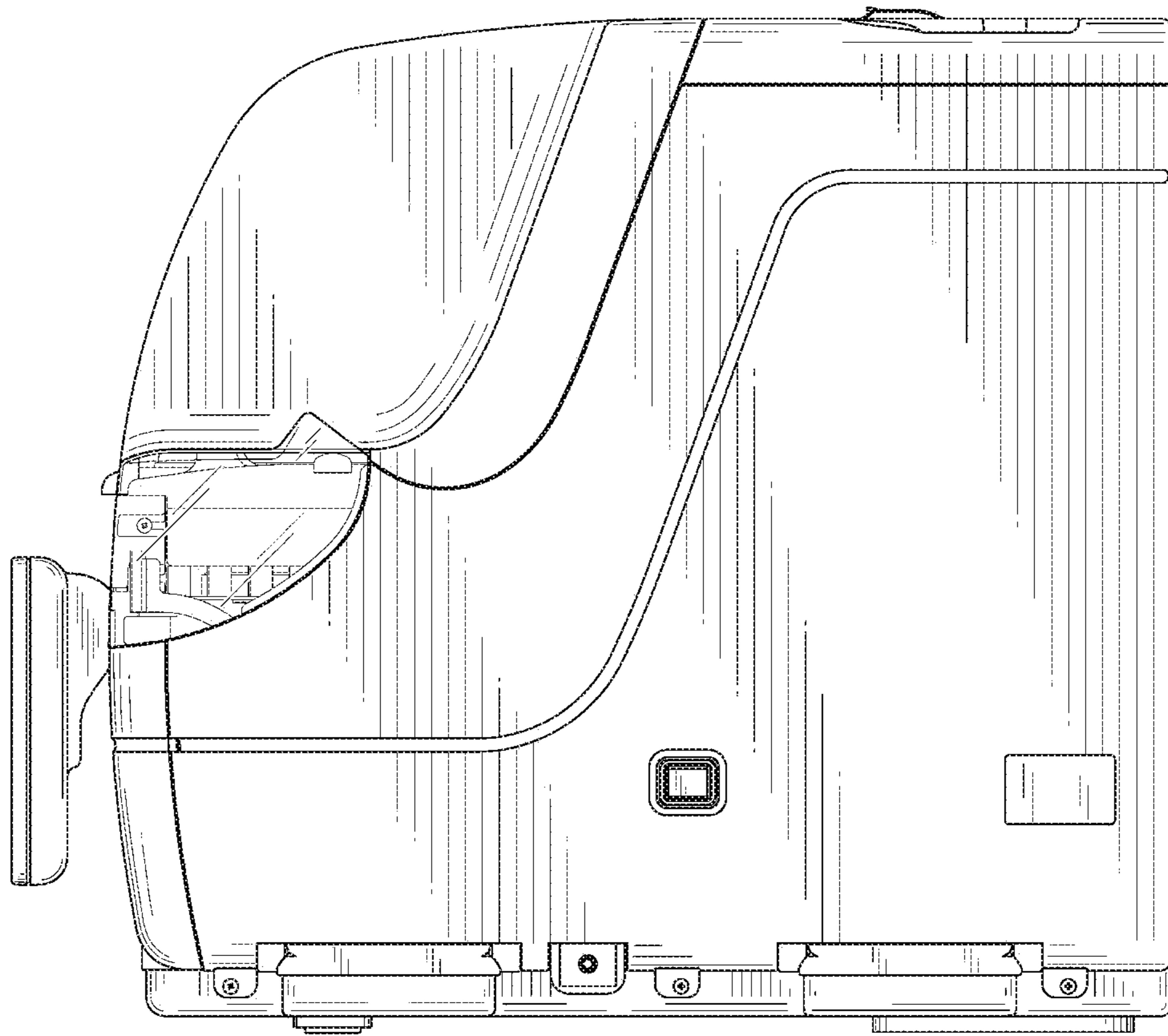


FIG. 1

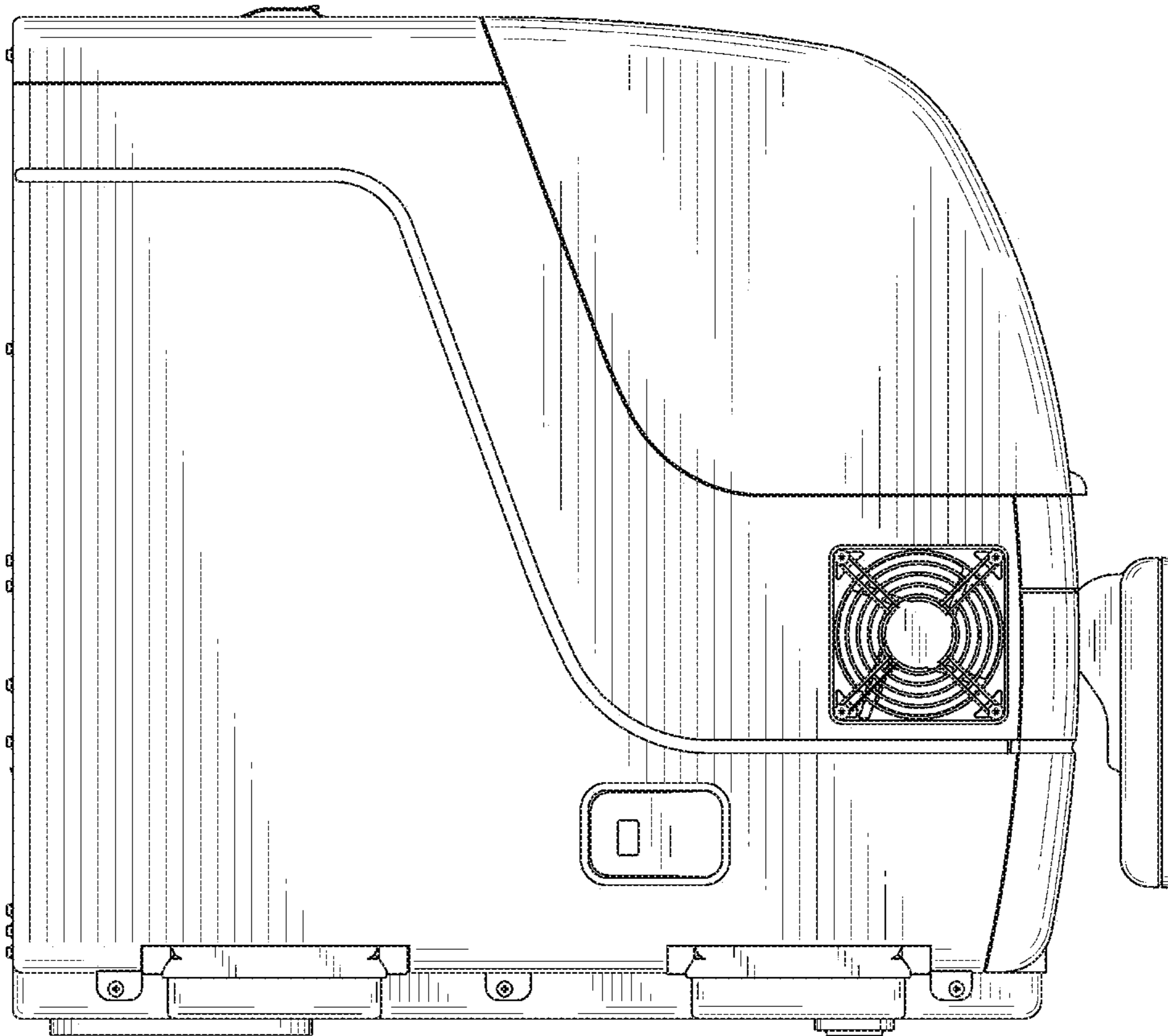


FIG. 2

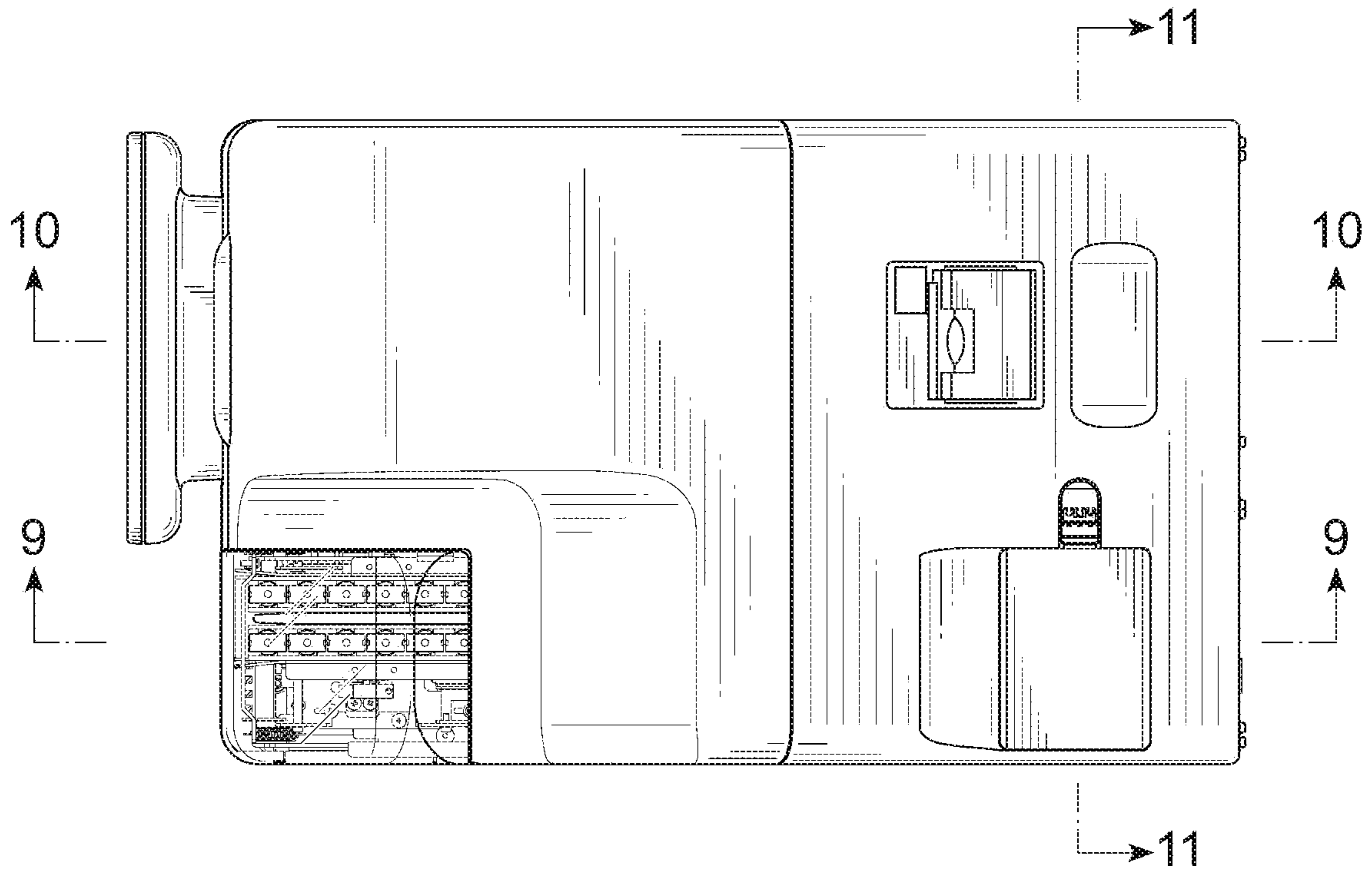


FIG. 3

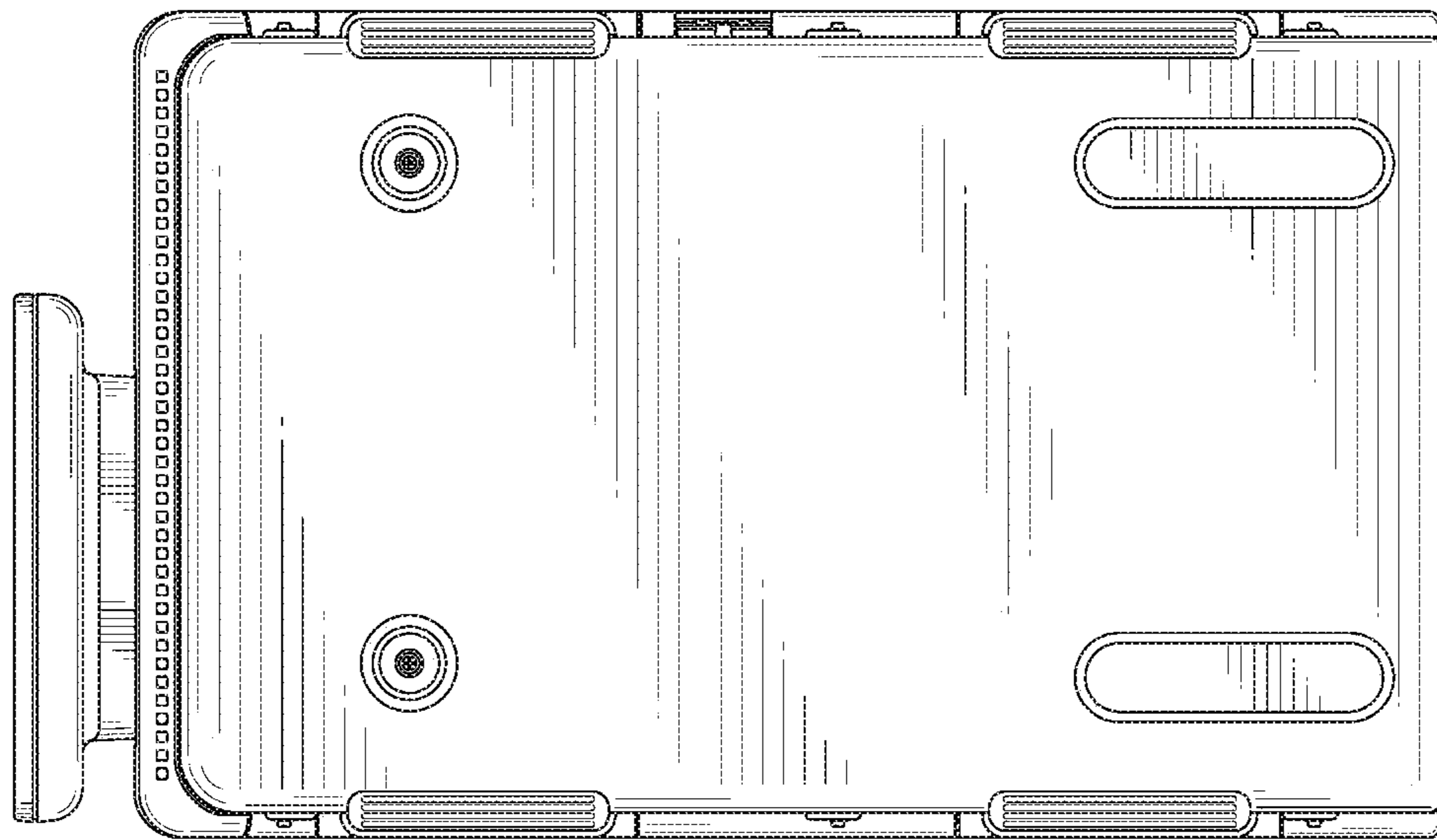


FIG. 4

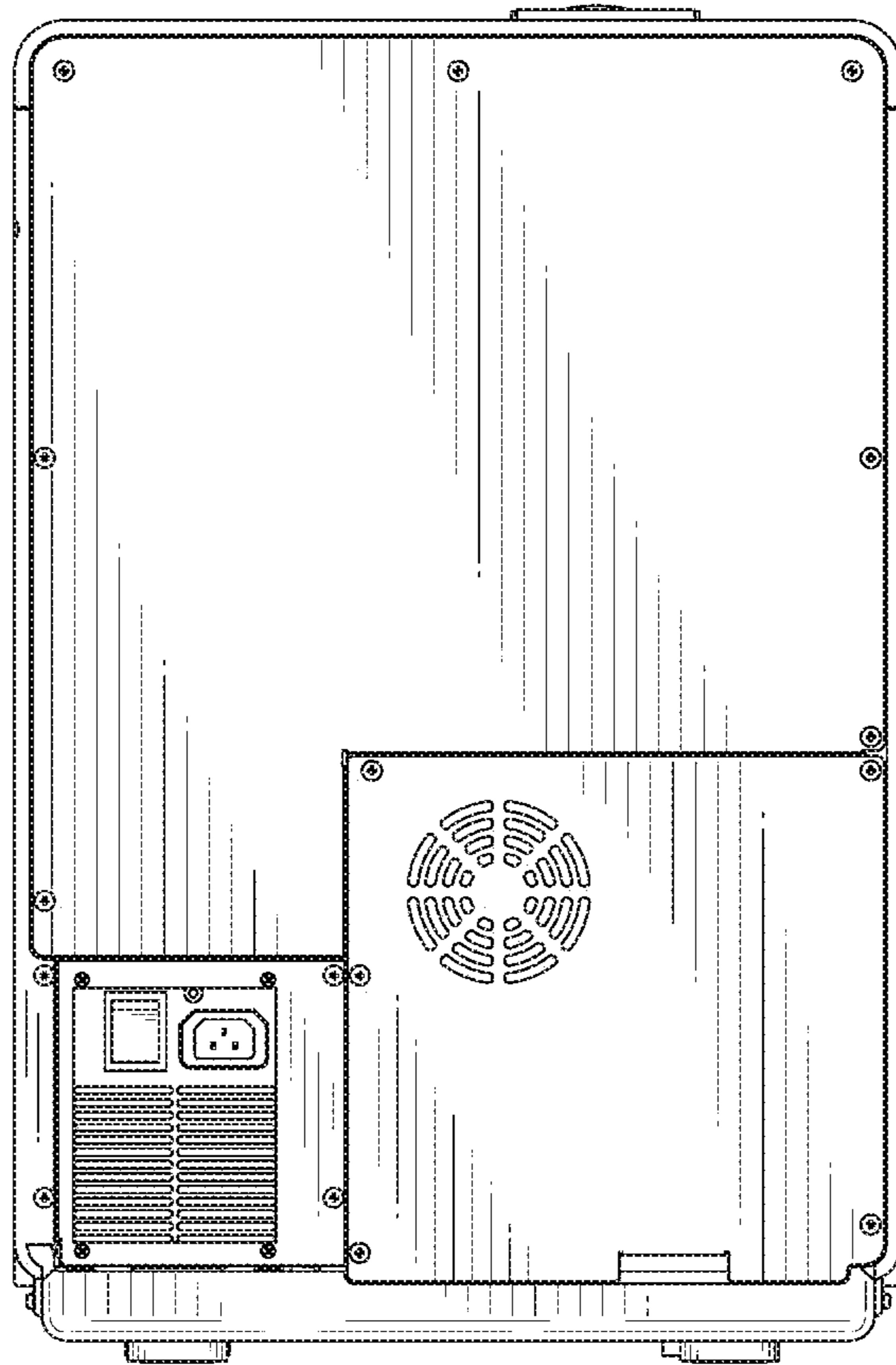


FIG. 5

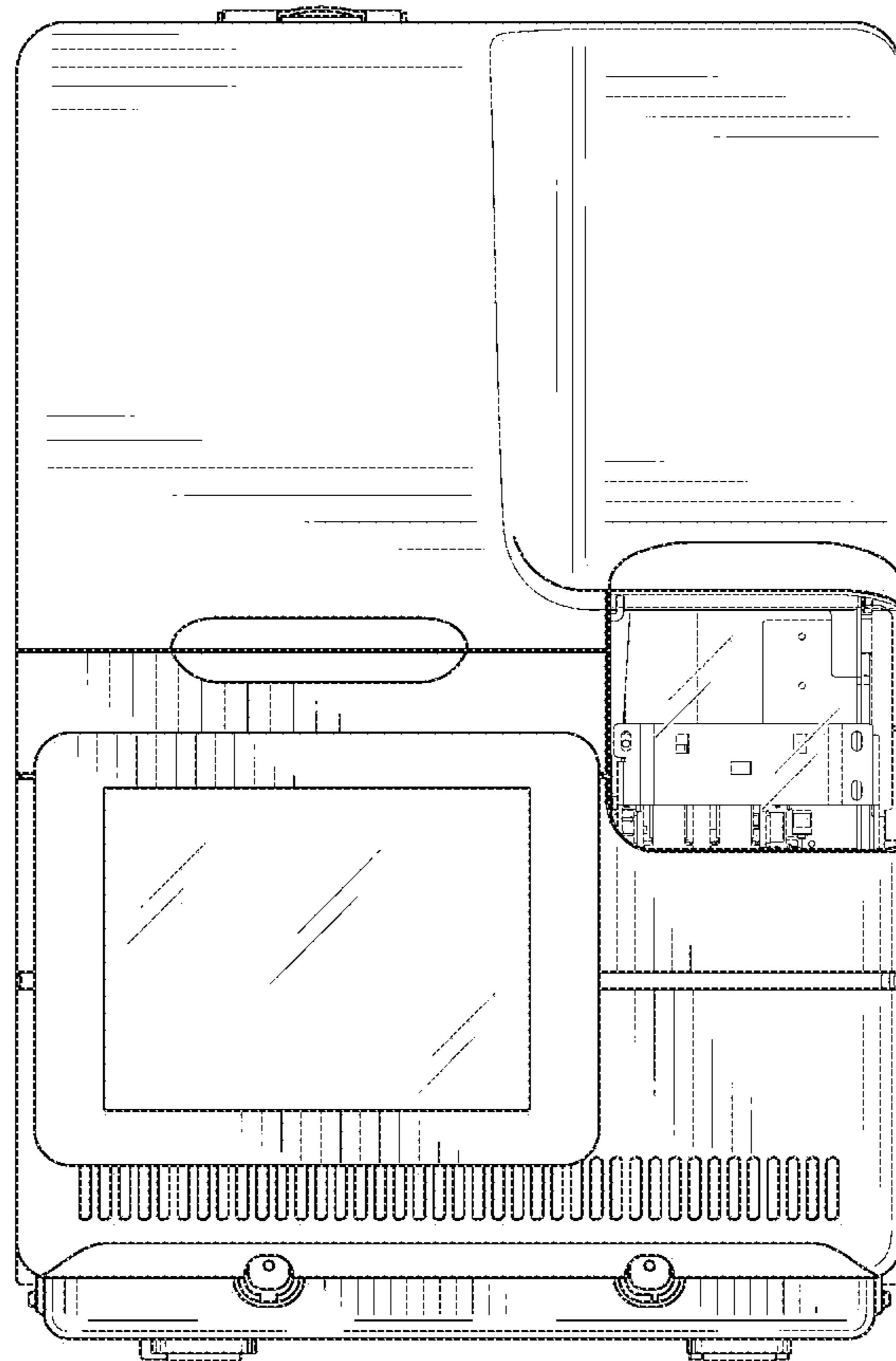


FIG. 6

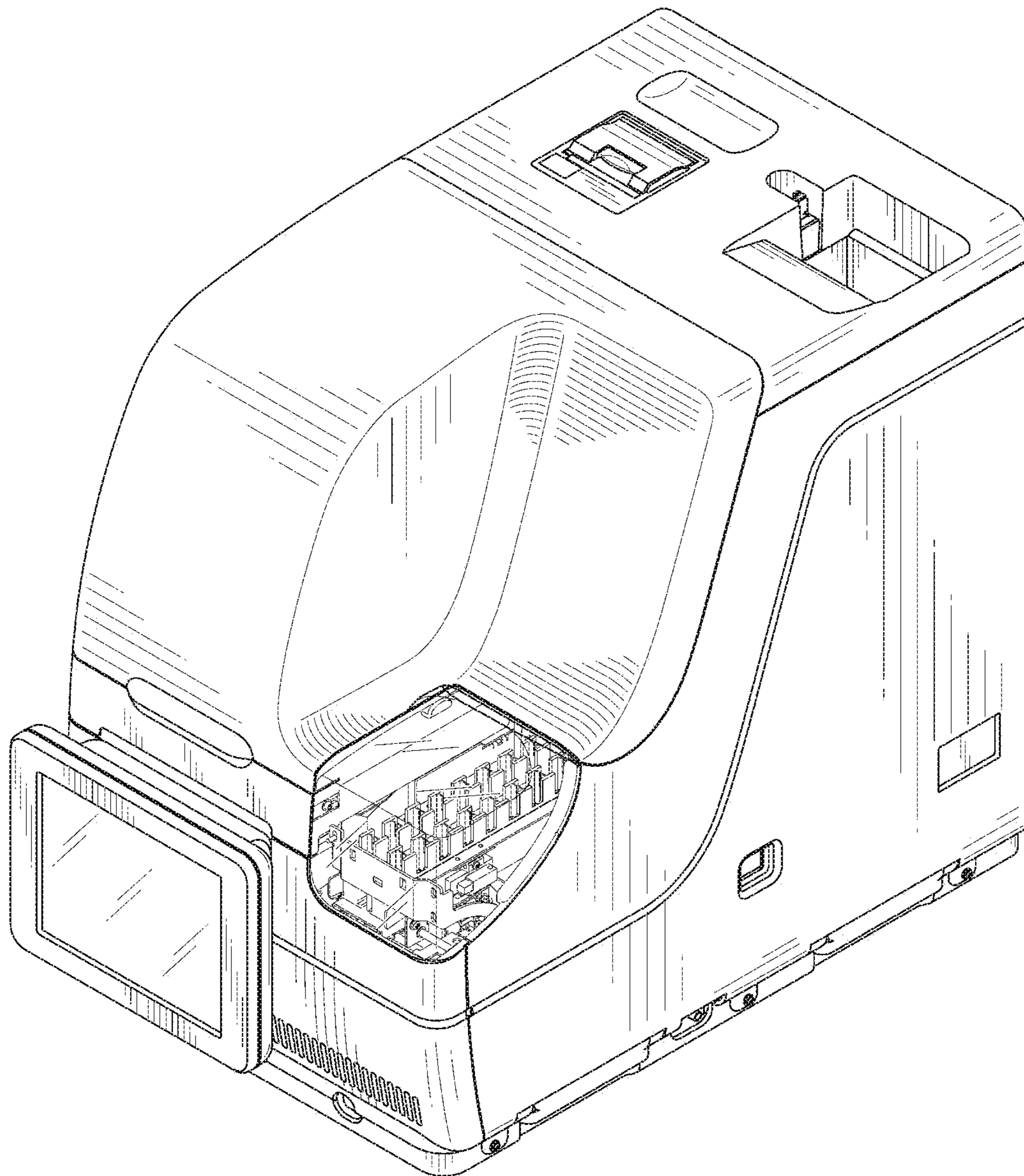


FIG. 7

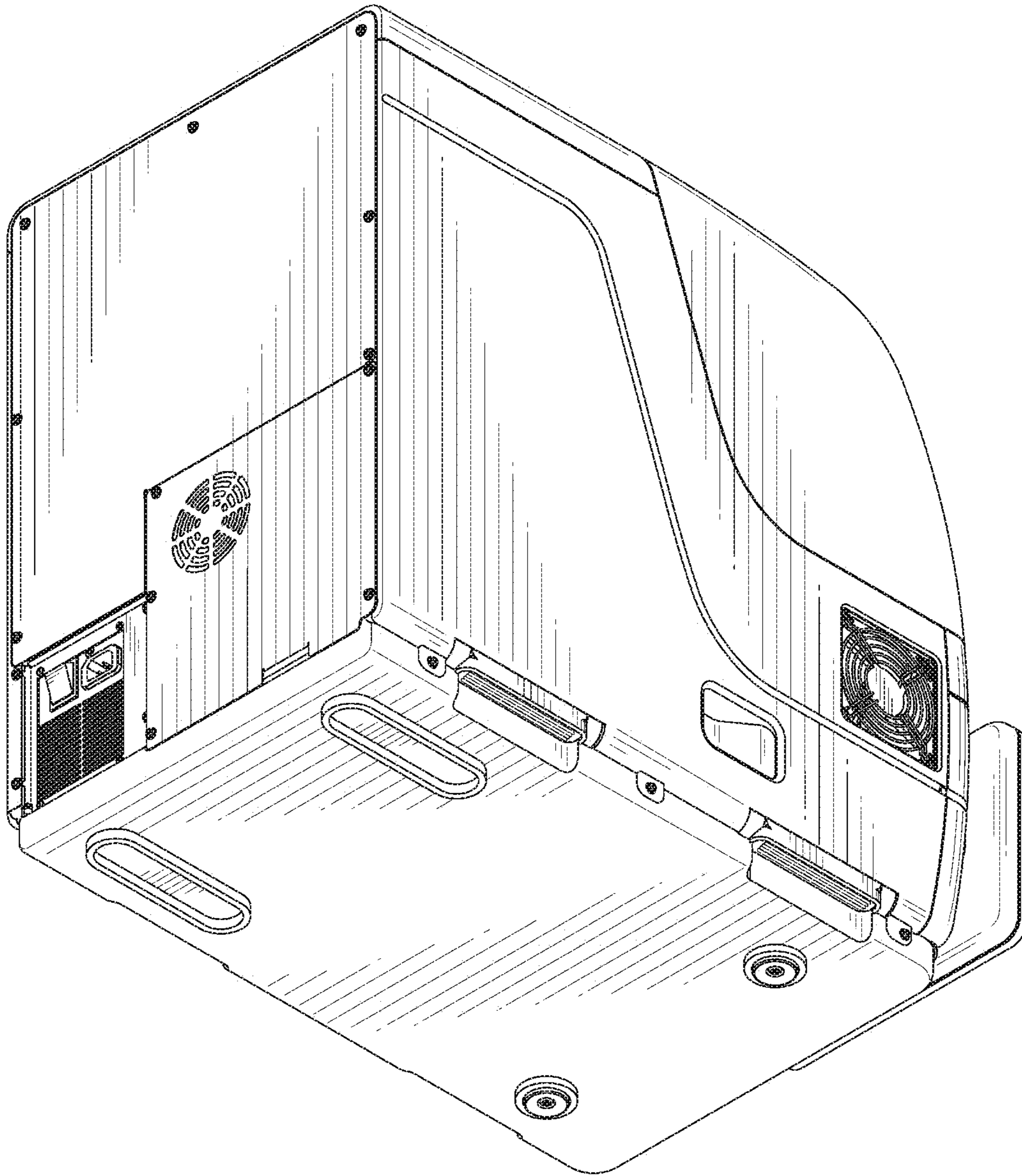


FIG. 8

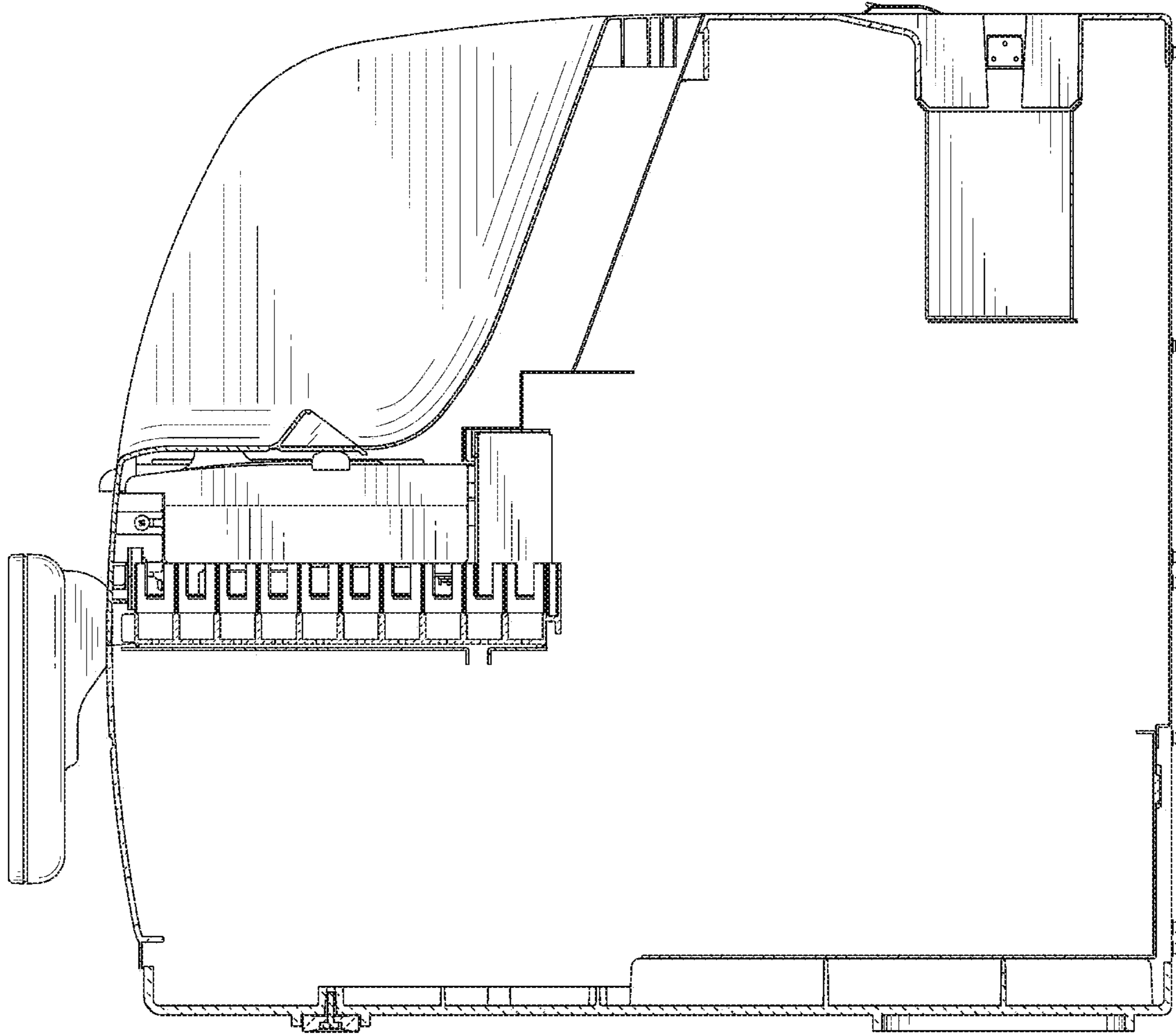


FIG. 9

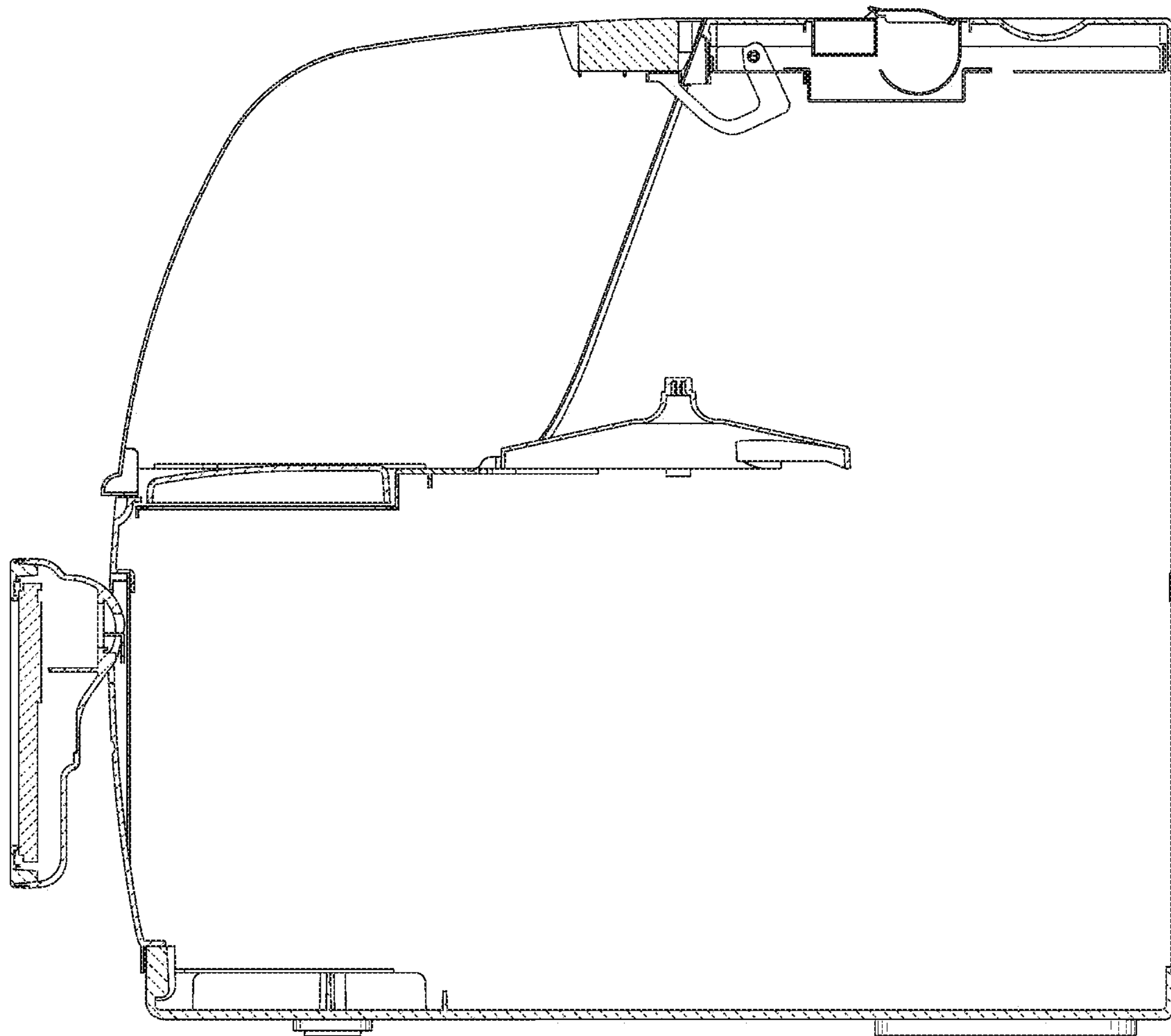


FIG. 10

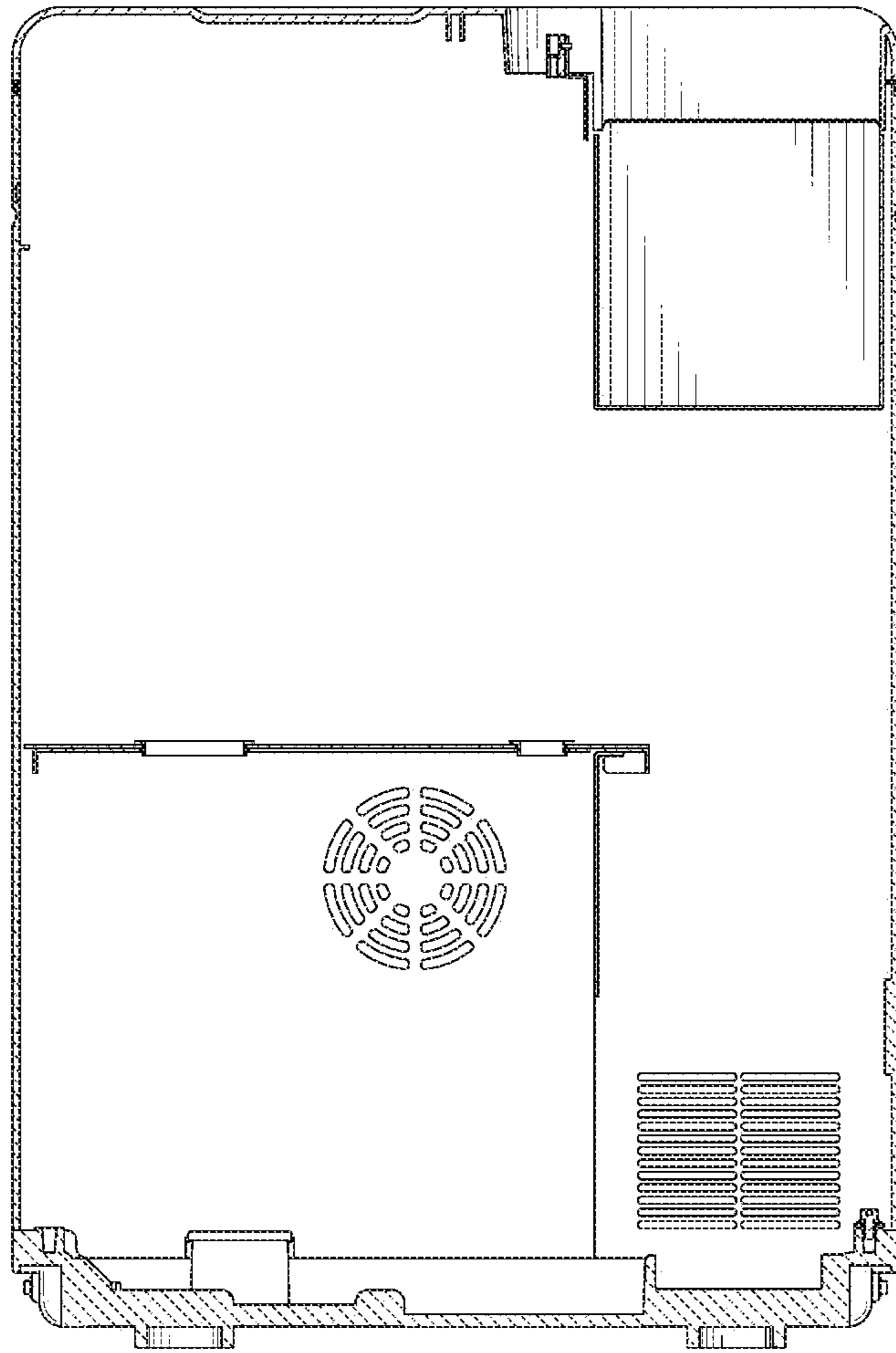


FIG. 11