



US00D965167S

(12) **United States Design Patent** (10) **Patent No.:** **US D965,167 S**  
**Yu** (45) **Date of Patent:** **\*\* Sep. 27, 2022**

(54) **FASCIA GUN**  
(71) Applicant: **Shengguo Yu**, Dongguan (CN)  
(72) Inventor: **Shengguo Yu**, Dongguan (CN)  
(\*\*) Term: **15 Years**  
(21) Appl. No.: **29/780,813**  
(22) Filed: **Apr. 27, 2021**  
(51) **LOC (13) Cl.** ..... **28-03**  
(52) **U.S. Cl.**  
USPC ..... **D24/215**  
(58) **Field of Classification Search**  
USPC ..... D24/215, 200, 211, 212, 213, 214, 133,  
D24/107, 231, 184; D8/14.1, 61;  
D28/12, 13  
CPC ..... A61H 15/00; A61H 2015/0007; A61H  
2015/0042; A61H 15/0092; A61H 23/00;  
A61H 23/006; A61H 2023/002; A61H  
23/06; A61H 23/02; A61H 2201/0153;  
A61H 2201/0157; A61H 7/005; A61H  
7/003; A61H 7/00; A61H 7/002; A61H  
1/00; A61H 1/008; A61H 15/0078; A61H  
15/0085; A61H 23/04  
See application file for complete search history.

(56) **References Cited**  
U.S. PATENT DOCUMENTS  
D430,938 S 9/2000 Lee  
D447,811 S 9/2001 Yi  
D448,852 S 10/2001 Engelen  
6,682,496 B1 \* 1/2004 Pivaroff ..... A61H 7/005  
601/107  
D530,020 S 10/2006 Cooper  
D730,575 S \* 5/2015 Bates ..... D28/13  
D899,620 S \* 10/2020 Huang ..... D24/215  
D905,266 S 12/2020 Liu  
D907,229 S 1/2021 Zhang

D907,230 S \* 1/2021 Zhang ..... D24/215  
D907,231 S 1/2021 Zhou  
D908,908 S 1/2021 Xu  
D918,411 S \* 5/2021 Xu ..... D24/215  
D920,531 S \* 5/2021 Xu ..... D24/215  
D920,532 S \* 5/2021 Xu ..... D24/215  
10,993,874 B1 \* 5/2021 Marton ..... A61H 23/006  
D921,215 S \* 6/2021 Xu ..... D24/215  
D924,424 S \* 7/2021 Wang ..... D24/215  
2019/0175434 A1 \* 6/2019 Zhang ..... A61H 15/0085

**OTHER PUBLICATIONS**

Addsfit—Mini Massage Gun. Date: Mar. 9, 2021. [online]. [Site visited Feb. 18, 2022]. Available from Internet URL: <https://www.amazon.co.uk/dp/B08YD3TPVS/> (Year: 2021).\*

(Continued)

*Primary Examiner* — Susan Bennett Hattan  
*Assistant Examiner* — Landon Thomas Cassell  
(74) *Attorney, Agent, or Firm* — Rumit Ranjit Kanakia

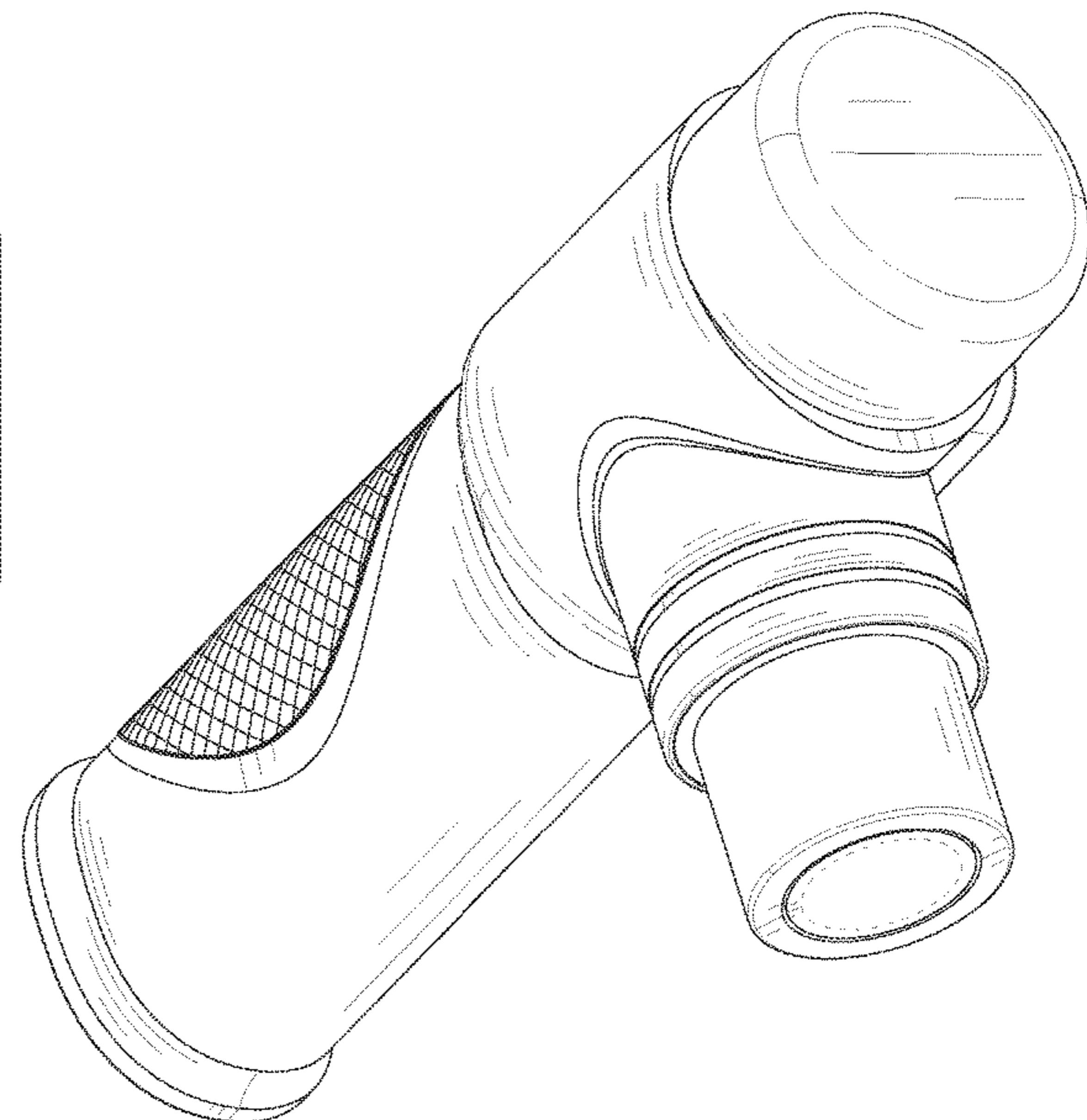
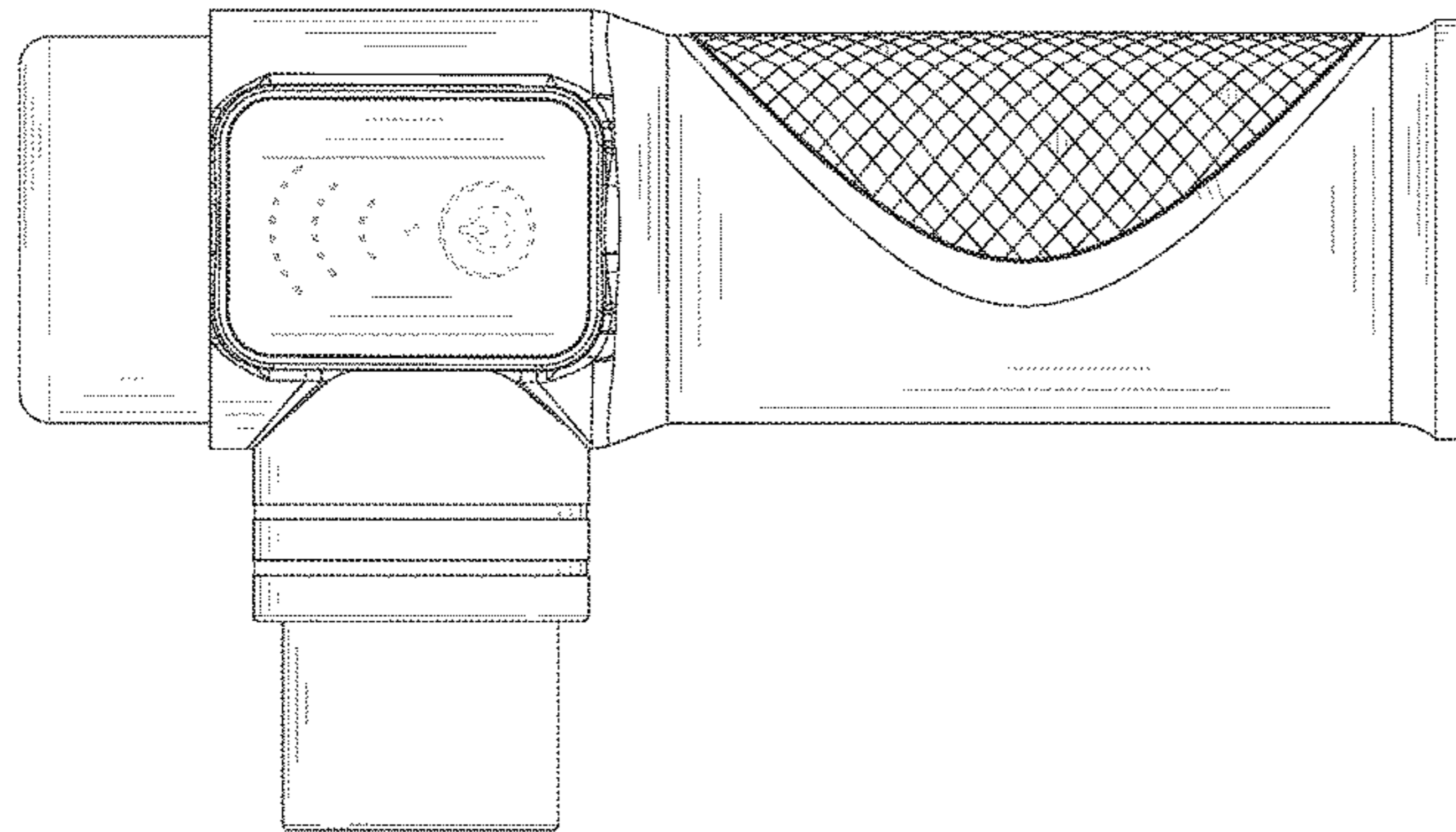
(57) **CLAIM**

The ornamental design for a fascia gun, as shown and described.

**DESCRIPTION**

FIG. 1 is a front elevational view of a fascia gun showing my new design;  
FIG. 2 is a rear elevational view thereof;  
FIG. 3 is a left elevational view thereof;  
FIG. 4 is a right side view thereof;  
FIG. 5 is a top side view thereof;  
FIG. 6 is a bottom plan view thereof;  
FIG. 7 is a perspective view thereof; and,  
FIG. 8 is another perspective view thereof.  
The broken lines in the figures are for the purposes of illustrating portions of the fascia gun, which form no part of the claimed design.

**1 Claim, 8 Drawing Sheets**



(56)

**References Cited**

OTHER PUBLICATIONS

Bob and brad—Massage gun. Date: Dec. 22, 2020. [online]. [Site visited Feb. 18, 2022]. Available from Internet URL: <https://www.amazon.co.uk/dp/B08M8YSFC7/> (Year: 2020).\*

RCQD—Massage Gun Mini. Date: Sep. 7, 2020. [online]. [Site visited Feb. 18, 2022]. Available from Internet URL: <https://www.amazon.co.uk/dp/B08GG98MK9/> (Year: 2020).\*

Massage guns. (Design—© Questel) orbit.com. [Online PDF compilation of references] 46 pgs. Print Dates Range Jun. 19, 2020-Mar. 23, 2021 [Retrieved Feb. 19, 2020] <https://www.orbit.com/export/UCZAH96B/pdf4/7838857b-8a5a-4d2d-8682-b88f0698b708-182745.pdf> (Year: 2022).\*

\* cited by examiner

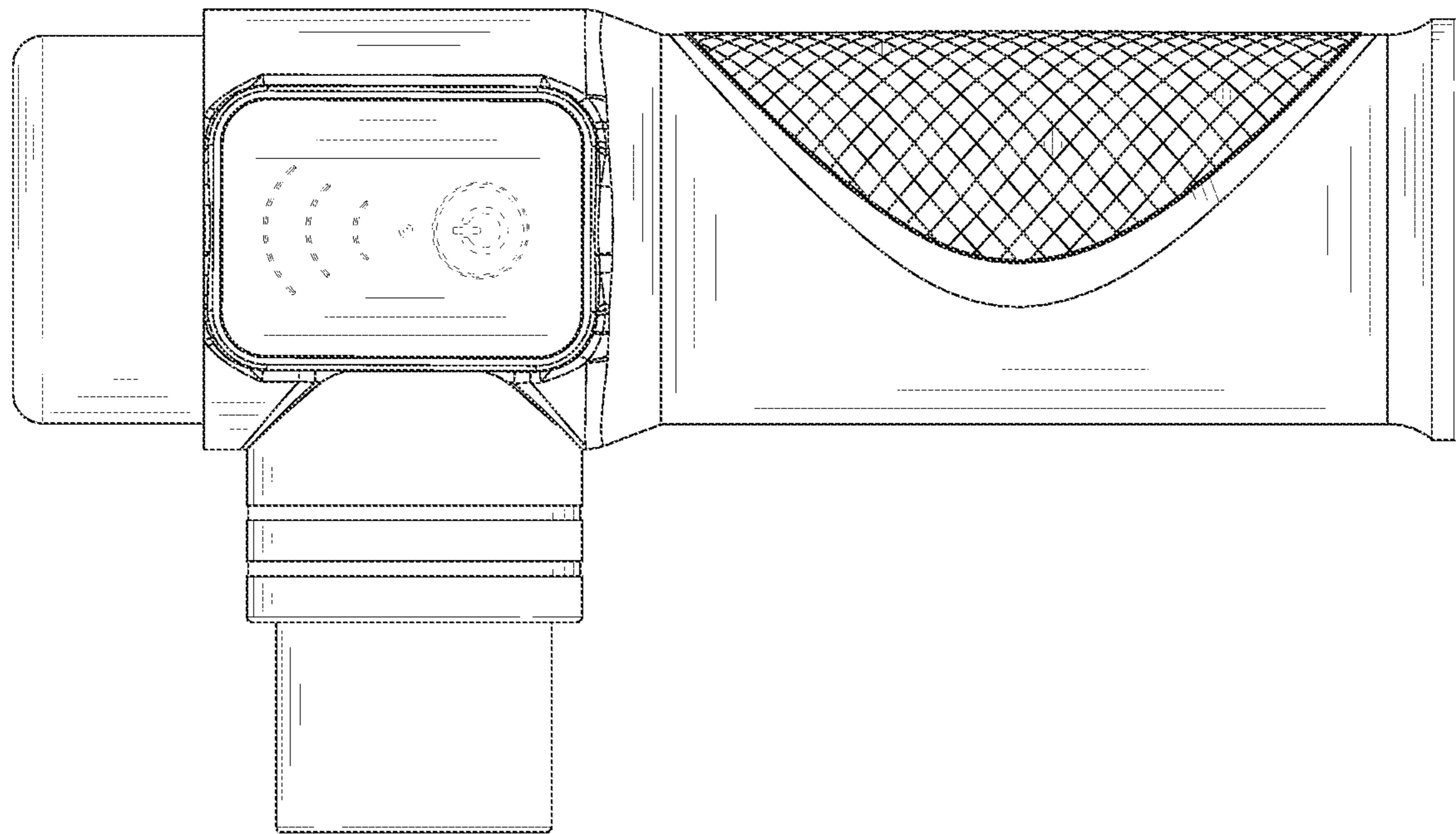


FIG. 1

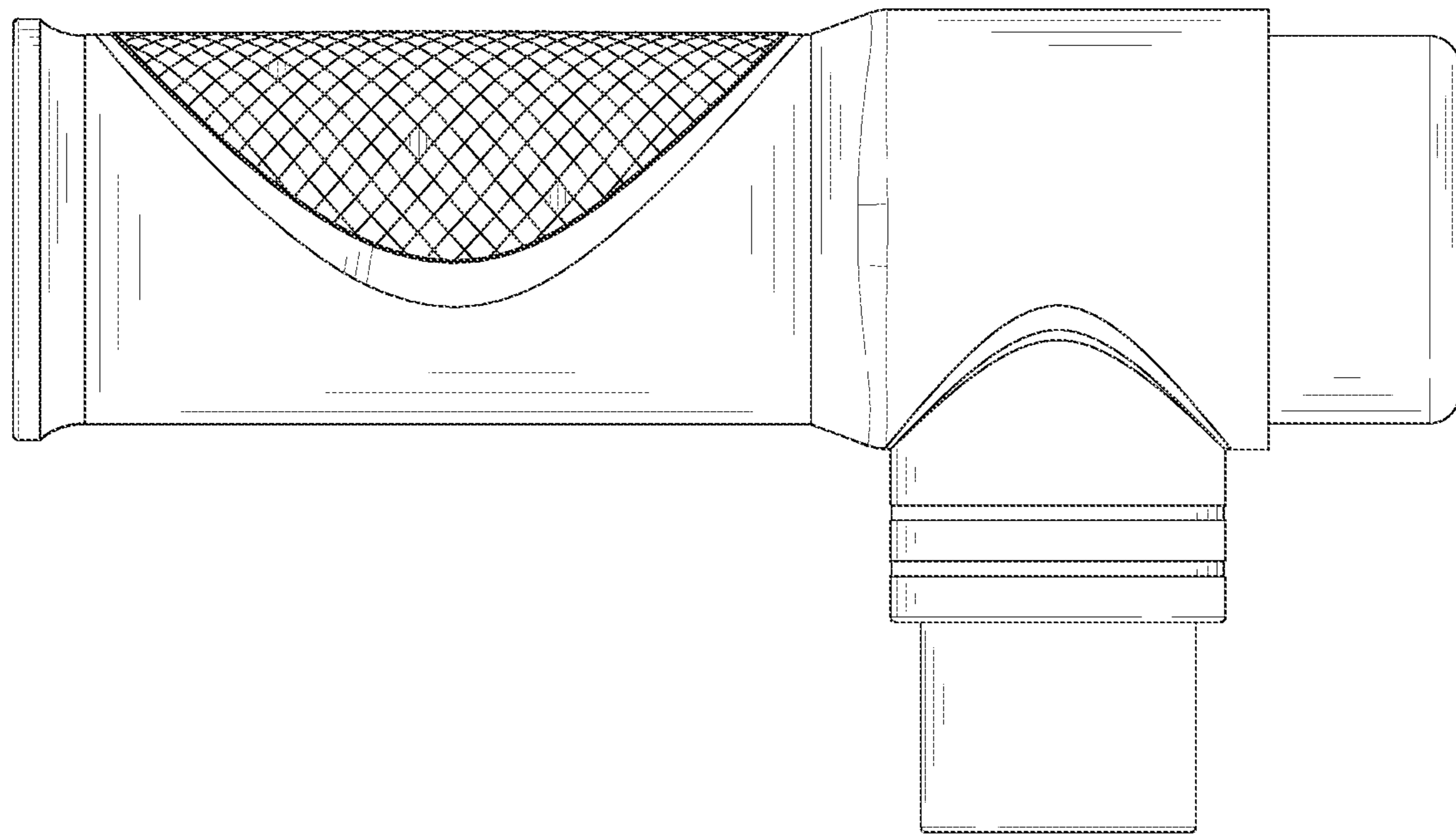


FIG. 2

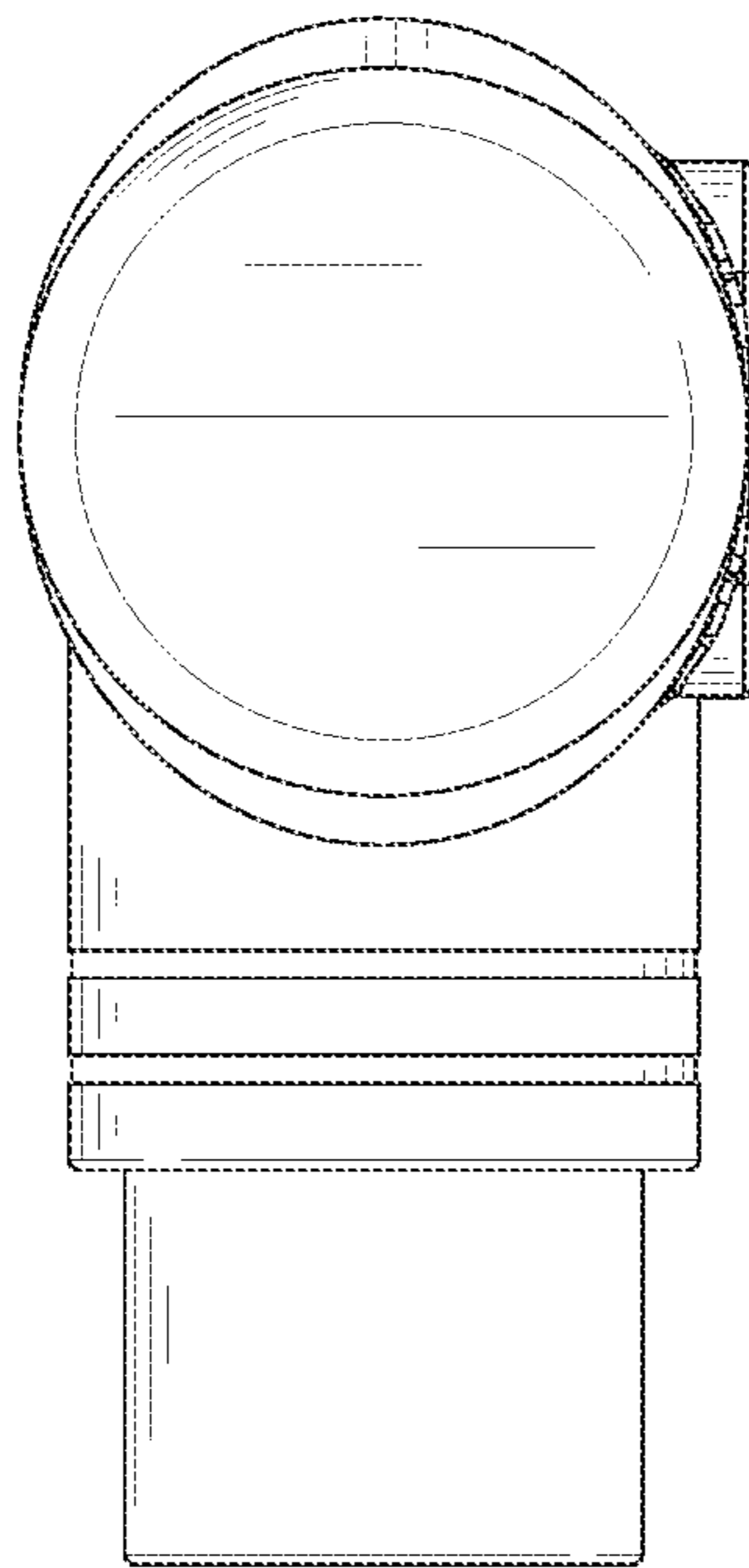


FIG. 3

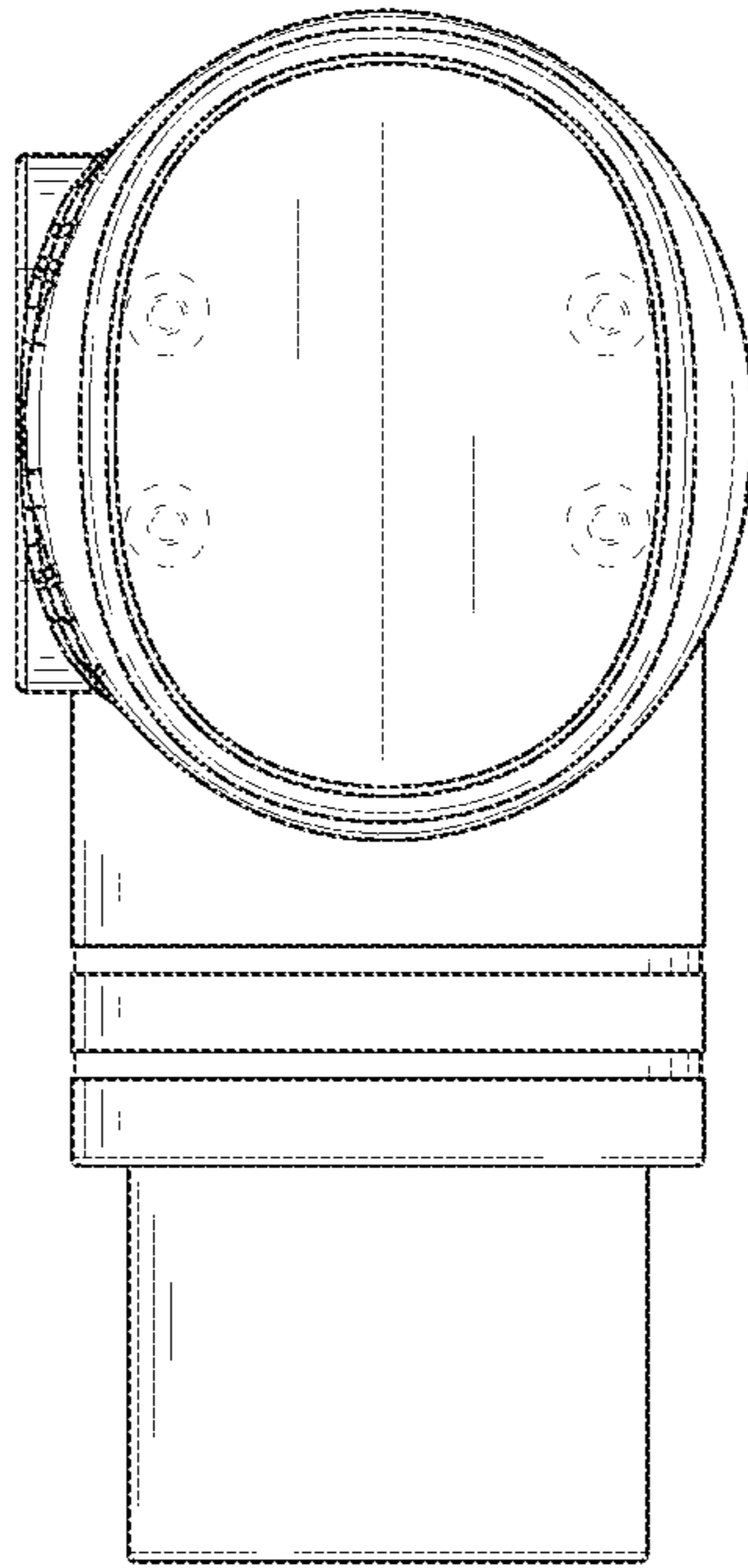


FIG. 4

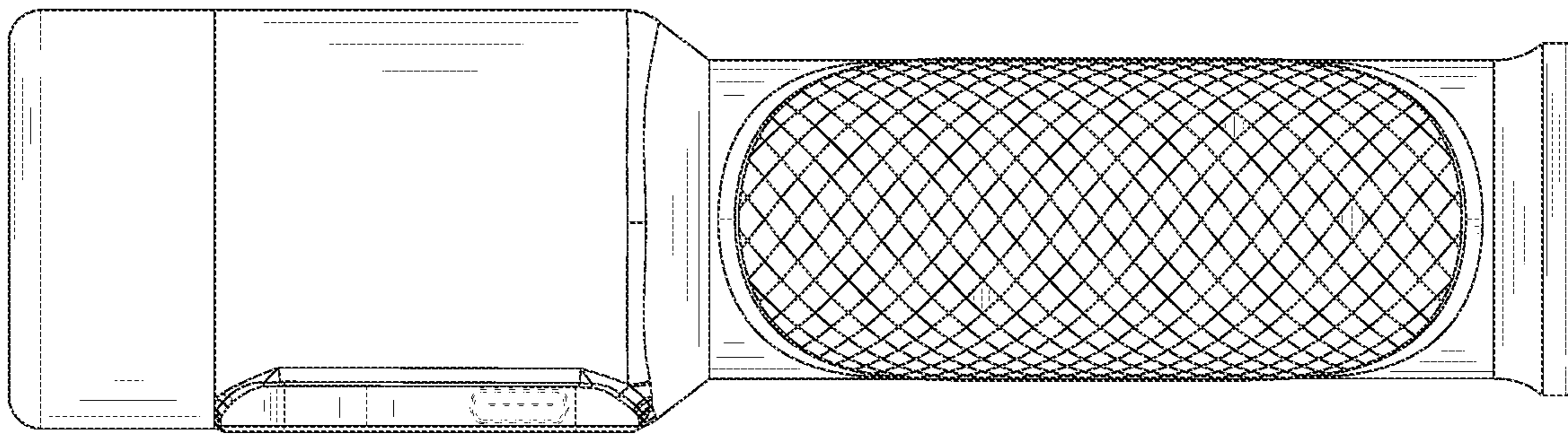


FIG. 5

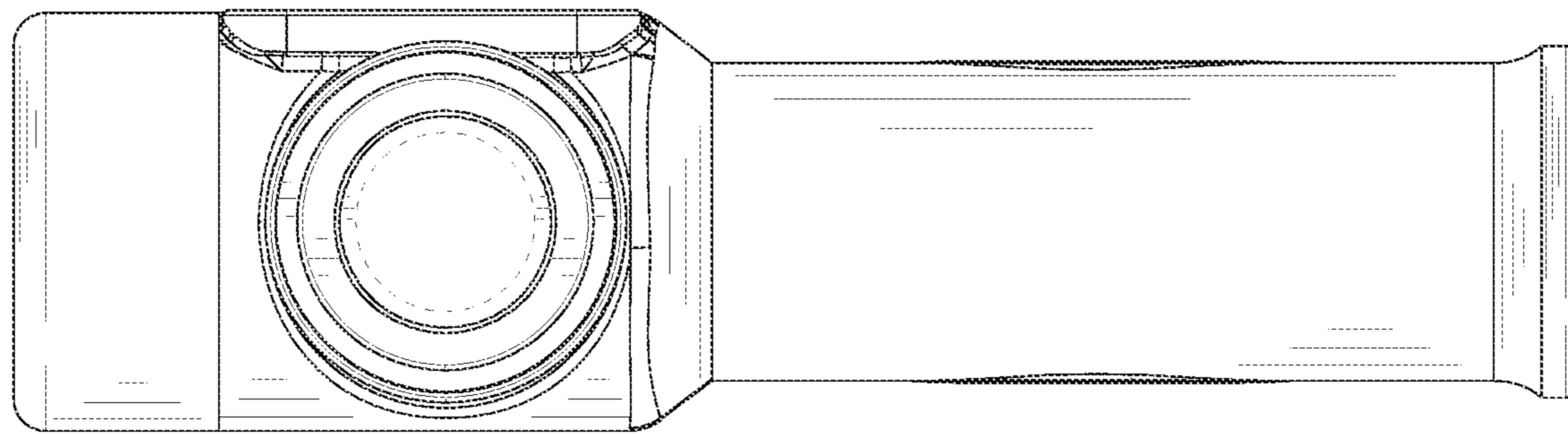


FIG. 6



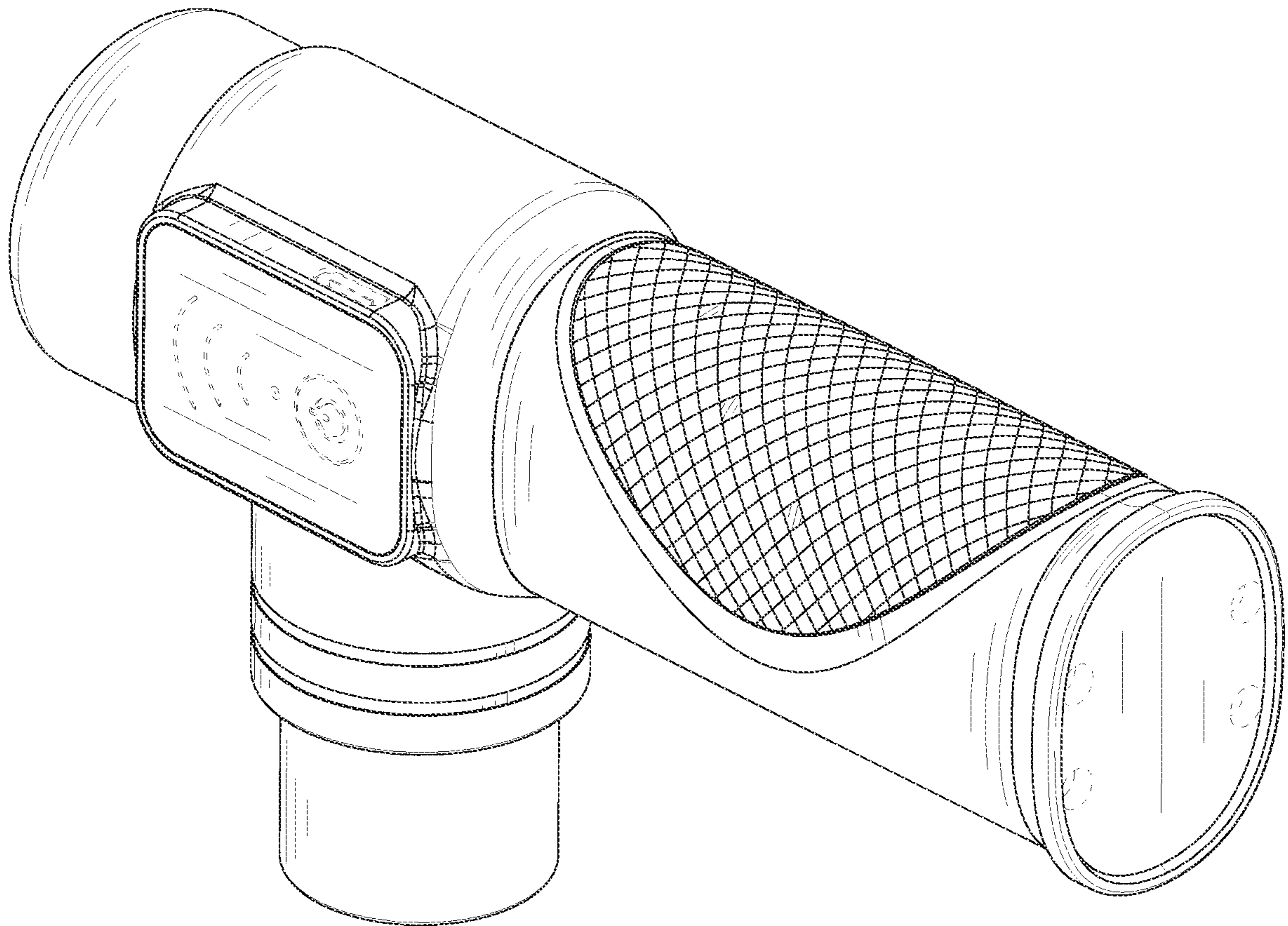


FIG. 7

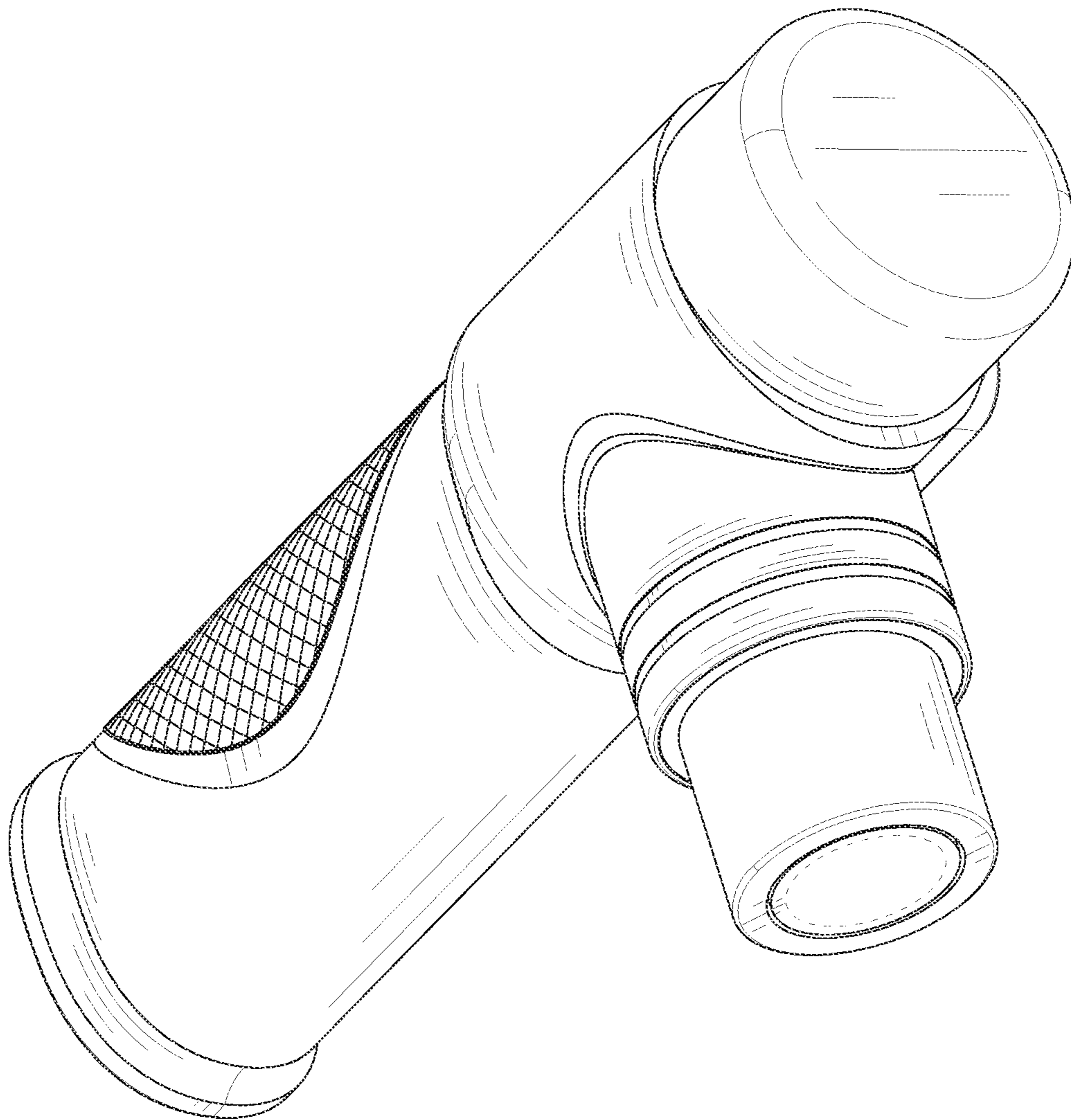


FIG. 8