



US00D965164S

(12) **United States Design Patent** (10) **Patent No.:** **US D965,164 S**
Luo (45) **Date of Patent:** **** Sep. 27, 2022**

(54) **MESSAGE DEVICE**

OTHER PUBLICATIONS

(71) Applicant: **Rechar Inc**, Strasburg, CO (US)

“DamKee: Massage Gun”. Found online Jul. 13, 2022 at Amazon.com. Reference dated Sep. 20, 2019. Retrieved from <https://www.amazon.com/Professional-Massager-Percussion-Massagers-DamKee/dp/B07Y654QZM/>.*

(72) Inventor: **Likang Luo**, Strasburg, CO (US)

“Opove: M3 Pro 2 Massage Gun”. Found online Jul. 13, 2022 at Amazon.com. Reference dated Jul. 2, 2019. Retrieved from <https://www.amazon.com/Percussion-Brushless-opove-M3-Pro/dp/B07TWF7K7JW/>.*

(73) Assignee: **Rechar Inc**, Strasburg, CO (US)

“Yossoa: Massage Gun”. Found online Jul. 13, 2022 at Amazon.com. Reference dated Mar. 30, 2020. Retrieved from <https://www.amazon.com/YOSSOA-1-Massage-Gun/dp/B086JRS7G4/>.*

(**) Term: **15 Years**

“Yunmai: Massage Gun”. Found online Jul. 13, 2022 at Amazon.com. Reference dated Sep. 26, 2019. Retrieved from <https://www.amazon.com/YUNMAI-Percussive-Relaxation-Percussion-Massager/dp/B07XKFN65N/>.*

(21) Appl. No.: **29/763,746**

* cited by examiner

(22) Filed: **Dec. 23, 2020**

(51) **LOC (13) Cl.** **28-03**

(52) **U.S. Cl.**
USPC **D24/215**

(58) **Field of Classification Search**

USPC D24/200, 211, 212, 213, 214, 215;
D28/12, 13; D8/14.1, 61
CPC A61H 7/004; A61H 15/0092; A61H 15/00;
A61H 23/00; A61H 23/002; A61H 23/006
See application file for complete search history.

Primary Examiner — Kendra Leslie Hamilton

Assistant Examiner — Elizabeth S Struble

(74) *Attorney, Agent, or Firm* — ScienBiziP, P.C.

(56) **References Cited**

U.S. PATENT DOCUMENTS

D855,822 S * 8/2019 Marton D24/215
D874,015 S 1/2020 Marton et al.
D875,961 S * 2/2020 Li D24/211
D880,714 S 4/2020 Wersland et al.
D893,738 S * 8/2020 Zhuang D24/215
D895,133 S * 9/2020 Xu D24/215
D895,135 S * 9/2020 Xu D24/215
D895,831 S * 9/2020 Chen D24/215
D905,863 S * 12/2020 Lin D24/215
10,993,874 B1 * 5/2021 Marton A61H 23/006
2020/0357046 A1 * 11/2020 McGann A61H 23/02

FOREIGN PATENT DOCUMENTS

CN 305823723 * 6/2020
CN 305951907 * 7/2020
CN 306219678 * 12/2020
GB 6094464 * 7/2020

(57) **CLAIM**

The ornamental design for a massage device, as shown and described.

DESCRIPTION

FIG. 1 is a front, left, and top perspective view of a massage device, showing my design.

FIG. 2 is a front elevation view thereof.

FIG. 3 is a rear elevation view thereof.

FIG. 4 is a left side elevation view thereof.

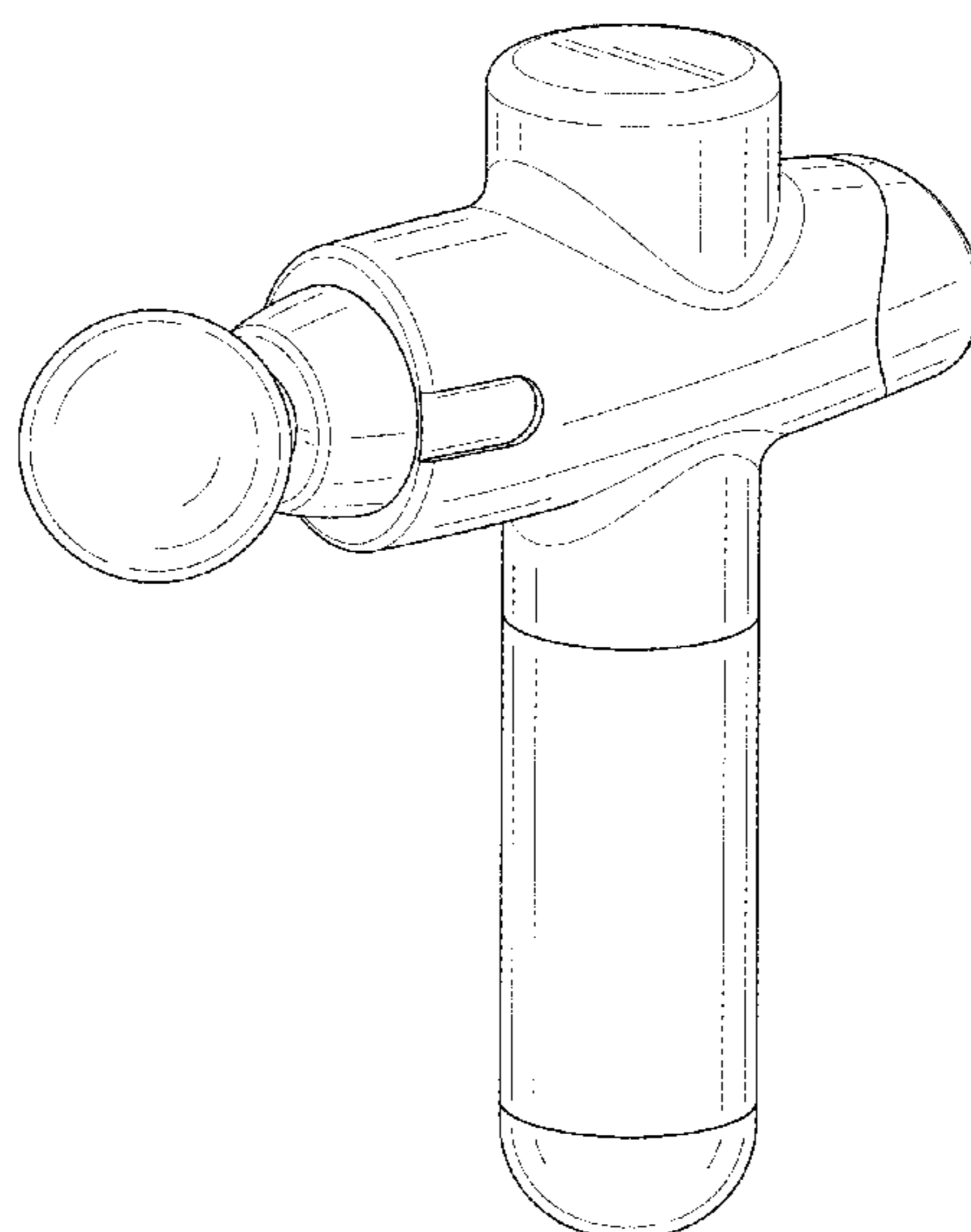
FIG. 5 is a right side elevation view thereof.

FIG. 6 is a top plan view thereof; and,

FIG. 7 is a bottom plan view thereof.

The broken lines in the drawings depict environmental structure and boundaries and form no part of the claimed design.

1 Claim, 7 Drawing Sheets



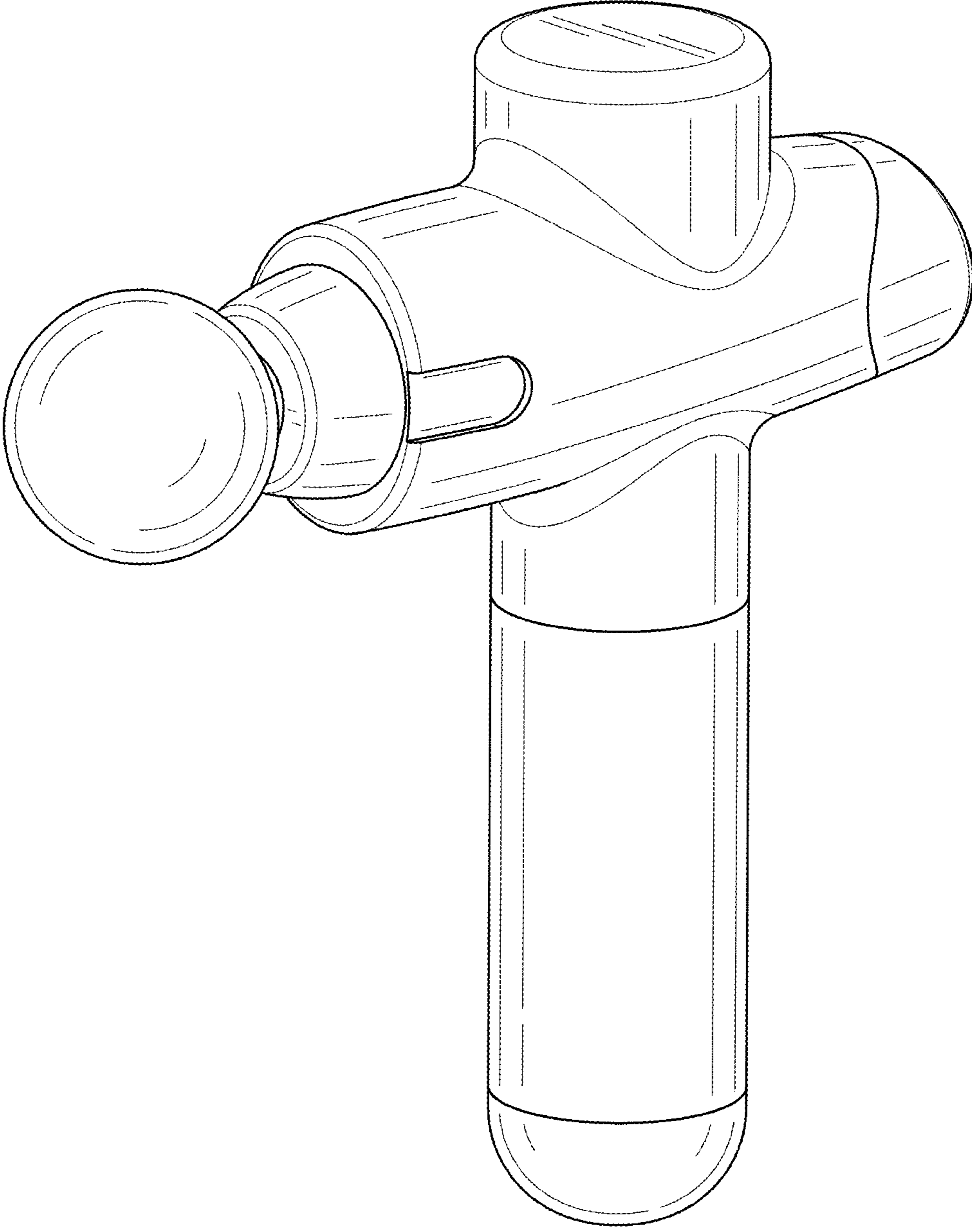


FIG.1

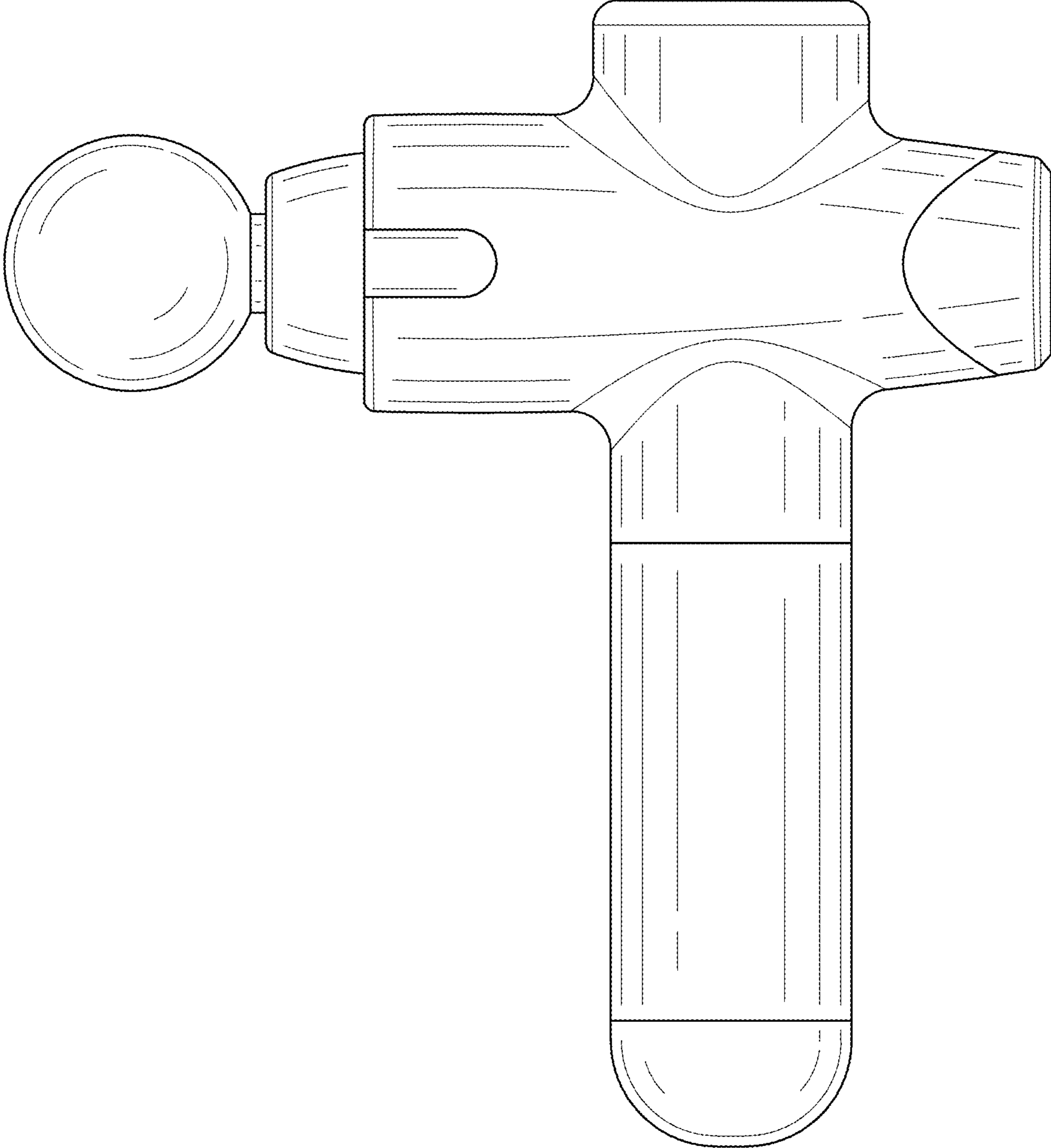


FIG.2

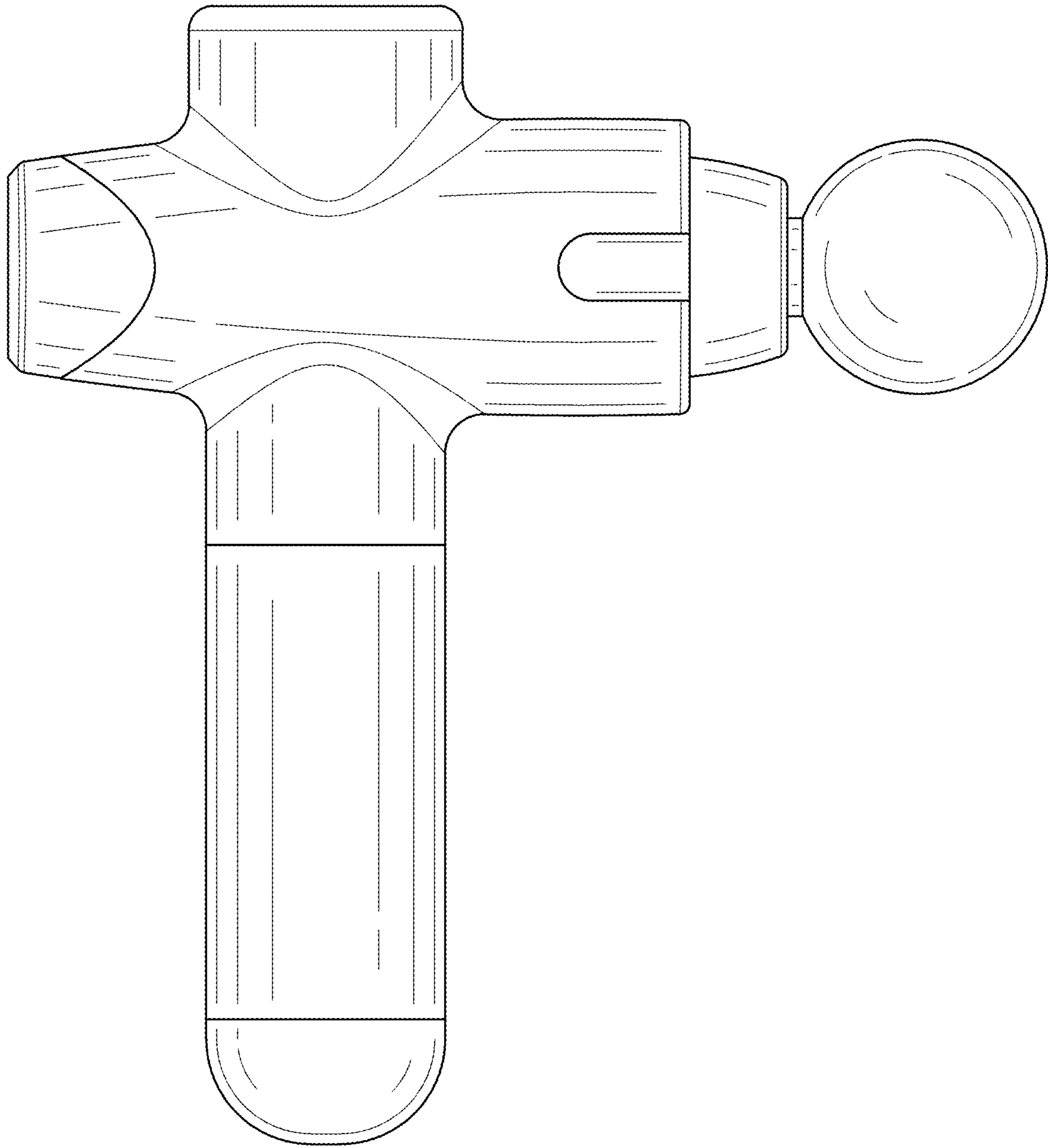


FIG.3

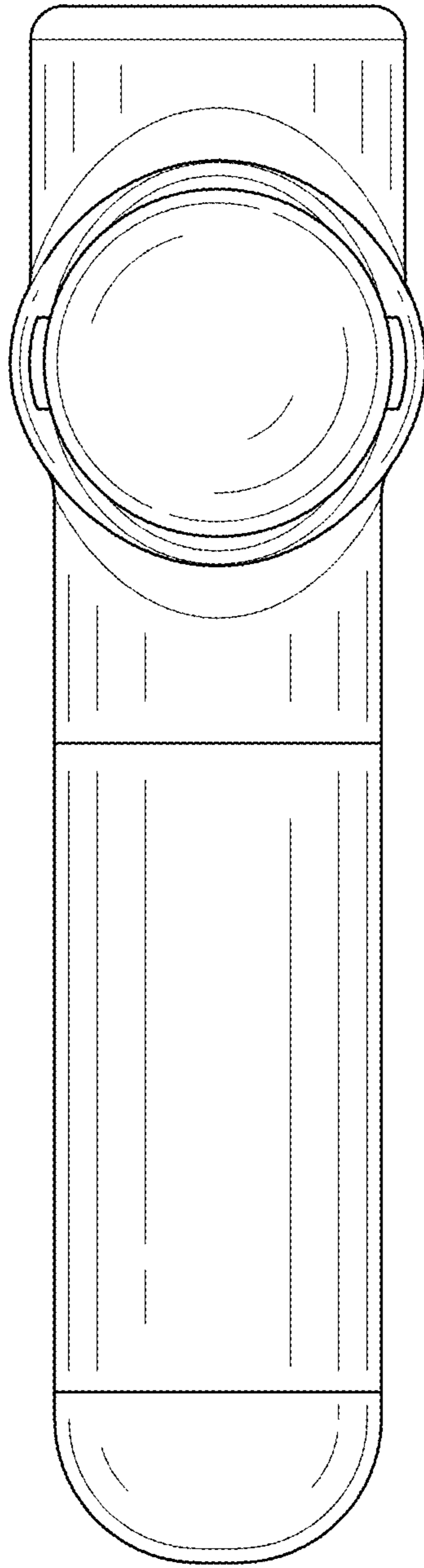


FIG.4

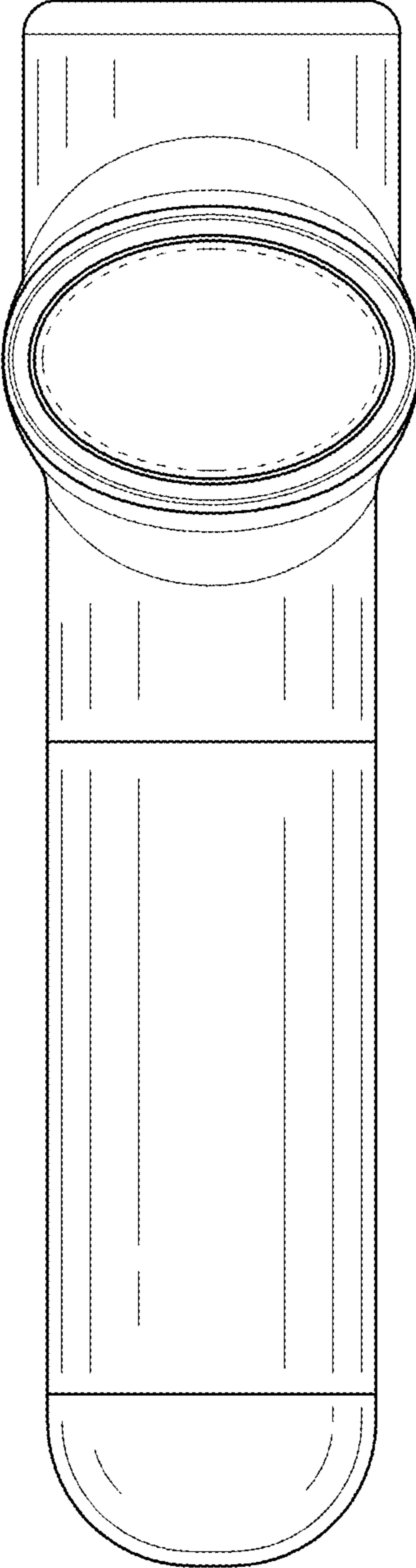


FIG.5

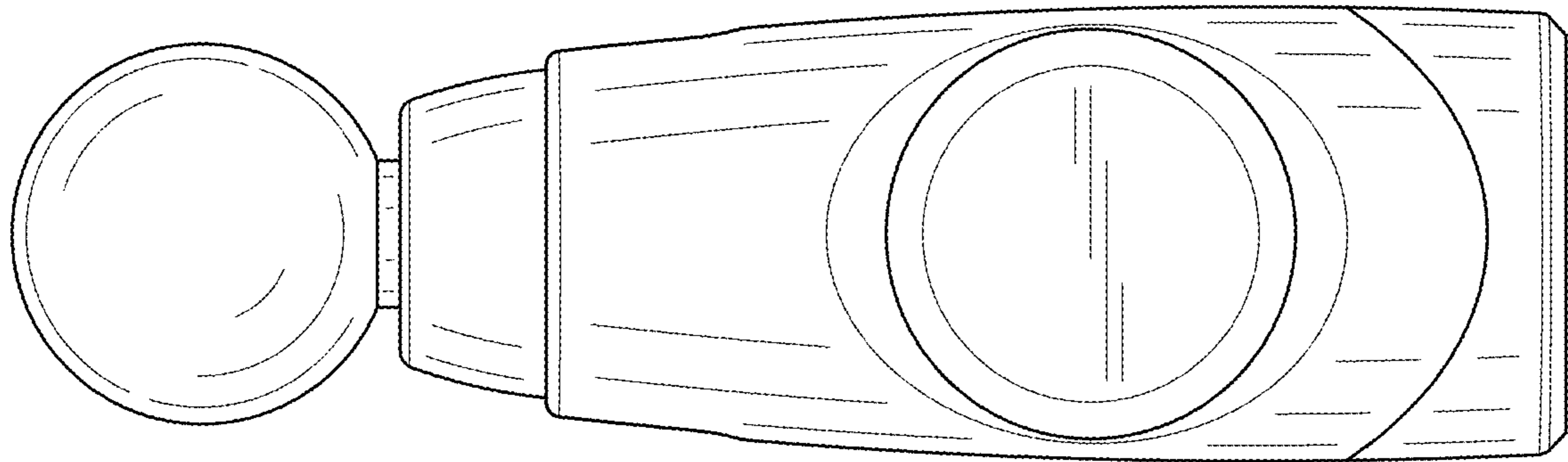


FIG.6

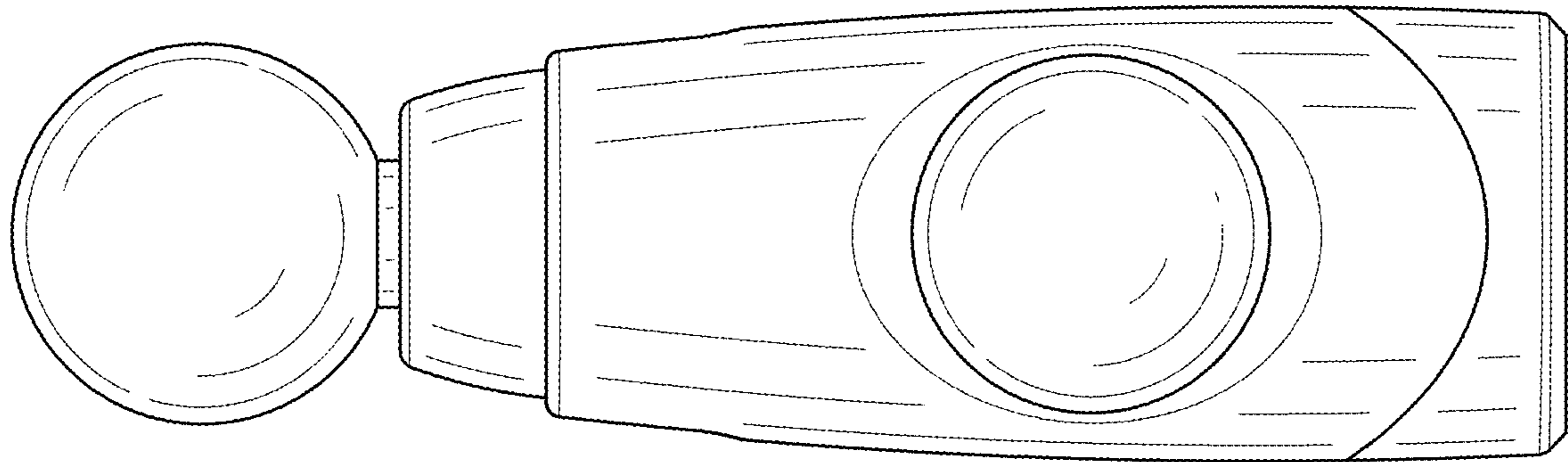


FIG.7