



US00D965163S

(12) **United States Design Patent** (10) **Patent No.:** **US D965,163 S**  
**Rai** (45) **Date of Patent:** **\*\* Sep. 27, 2022**

(54) **HANDHELD MASSAGING SET**

(71) Applicant: **Raganpreet Kaur Rai**, Tukwila, WA (US)

(72) Inventor: **Raganpreet Kaur Rai**, Tukwila, WA (US)

(\*\*) Term: **15 Years**

(21) Appl. No.: **29/747,825**

(22) Filed: **Aug. 25, 2020**

(51) **LOC (13) Cl.** ..... **28-03**

(52) **U.S. Cl.**  
USPC ..... **D24/215**

(58) **Field of Classification Search**

USPC ..... D24/215, 200, 211, 212, 213, 214, 133, D24/107, 231, 184; D8/14.1, 61; D28/12, 13; D13/107, 108, 109  
CPC ..... A61H 15/00; A61H 2015/0007; A61H 2015/0042; A61H 15/0092; A61H 15/0078; A61H 15/0085; A61H 23/00; A61H 23/006; A61H 2023/002; A61H 23/02; A61H 2201/0153; A61H 7/00; A61H 7/003; A61H 7/004; A61H 7/005; A61H 9/00; A61H 2205/06

See application file for complete search history.

(56) **References Cited**

**U.S. PATENT DOCUMENTS**

D288,841 S \* 3/1987 Steinel ..... D28/13  
D729,163 S \* 5/2015 Meyer ..... D13/107  
D813,805 S \* 3/2018 Zhong ..... D13/108  
D850,369 S \* 6/2019 Wang ..... D13/108  
D881,123 S \* 4/2020 Zhang ..... D13/108  
10,714,953 B1 \* 7/2020 Solana ..... H02J 7/02

D927,715 S \* 8/2021 Li ..... D24/215  
D935,045 S \* 11/2021 Zhang ..... D24/215  
2022/0062091 A1 \* 3/2022 Rai ..... A61H 23/0263

**OTHER PUBLICATIONS**

Joylab—Display Stand for Charge Dock for Massager. Date: Oct. 13, 2019. [online]. [Site visited Apr. 19, 2022]. Available from Internet URL: <https://www.amazon.ca/dp/B07TZ448YP> (Year: 2019).  
\* Volluck—Massage Gun. Date: Jun. 2, 2020. [online]. [Site visited Apr. 19, 2022]. Available from Internet URL: <https://www.amazon.co.uk/dp/B089PY7887/> (Year: 2020).  
\* Massagers. (Design—© Questel) orbit.com. 44 pgs. Print Dates Range May 15, 2020-Jul. 9, 2021 [Retrieved Apr. 19, 2022] <https://www.orbit.com/export/UCZAH96B/pdf4/7d4ad789-cfd1-403b-aa32-deef1d341ae4-203343.pdf> (Year: 2022).  
\* cited by examiner

*Primary Examiner* — Susan Bennett Hattan  
*Assistant Examiner* — Landon Thomas Cassell

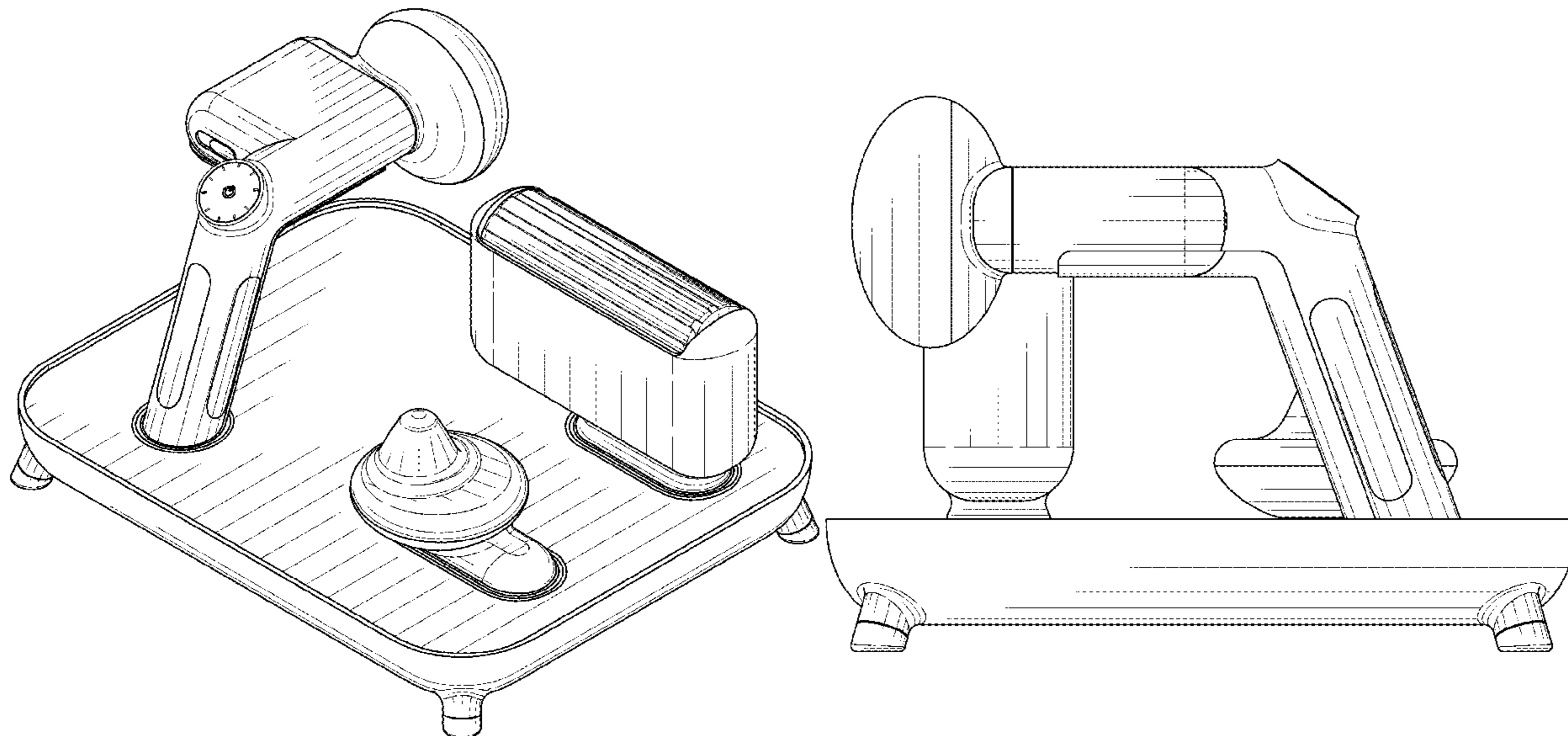
(57) **CLAIM**

The ornamental design for a handheld massaging set, as shown and described.

**DESCRIPTION**

FIG. 1 is a front, right perspective view of a handheld massaging set;  
FIG. 2 is a back, left perspective view thereof;  
FIG. 3 is a front view thereof;  
FIG. 4 is a back view thereof;  
FIG. 5 is a right side view thereof;  
FIG. 6 is a left side view thereof;  
FIG. 7 is a top view thereof; and,  
FIG. 8 is a bottom view thereof.

**1 Claim, 8 Drawing Sheets**



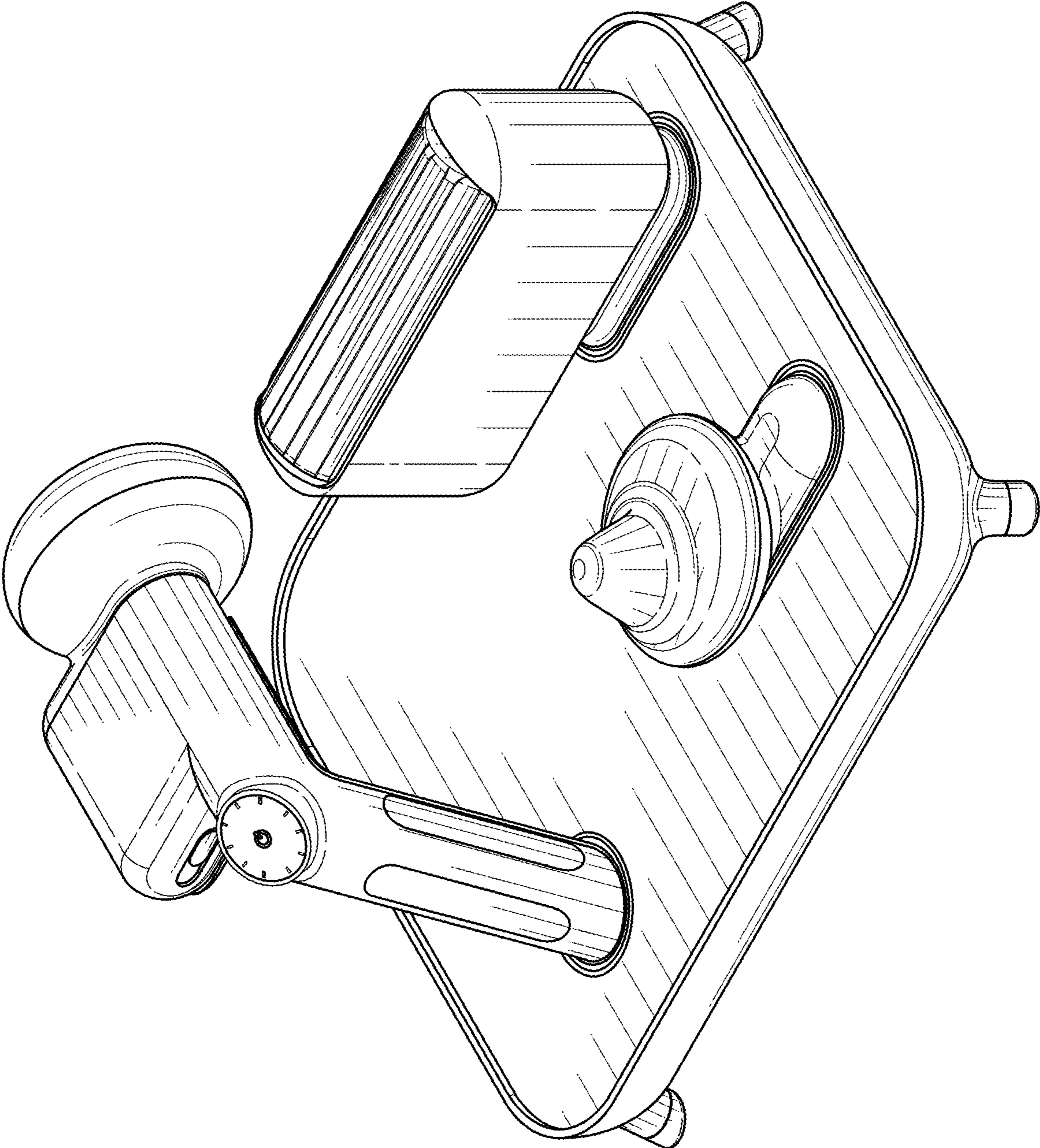


FIG. 1

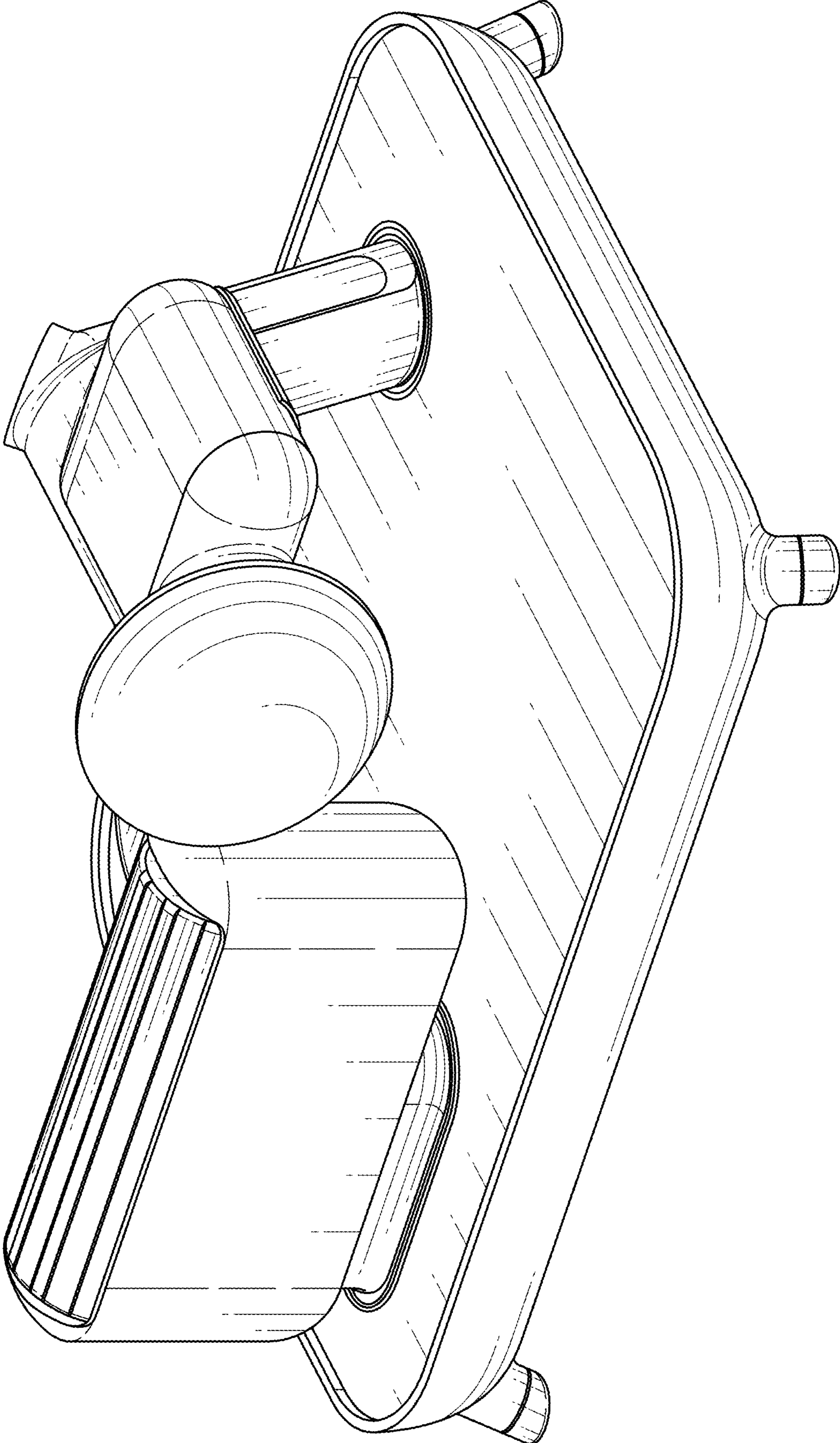


FIG. 2

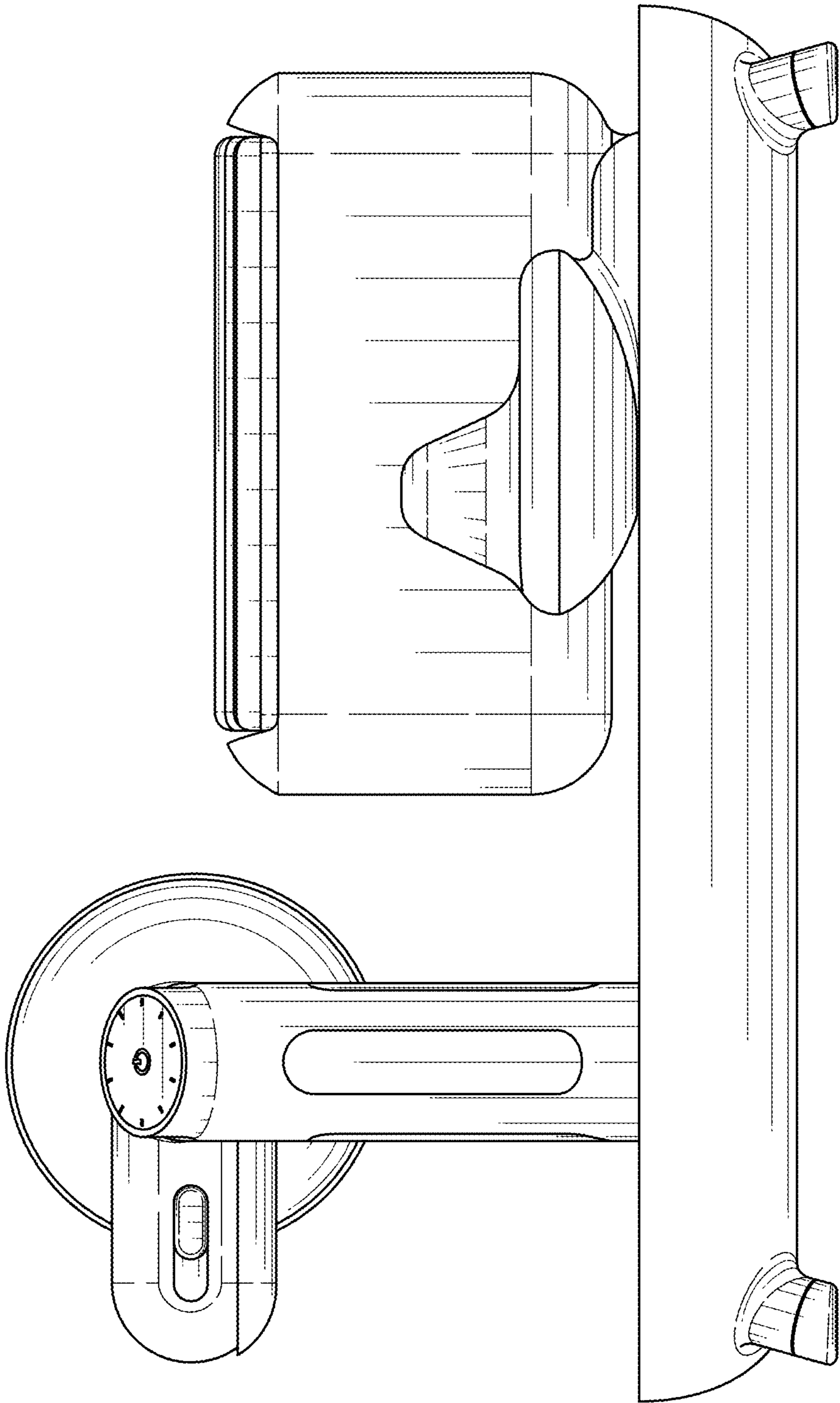


FIG. 3

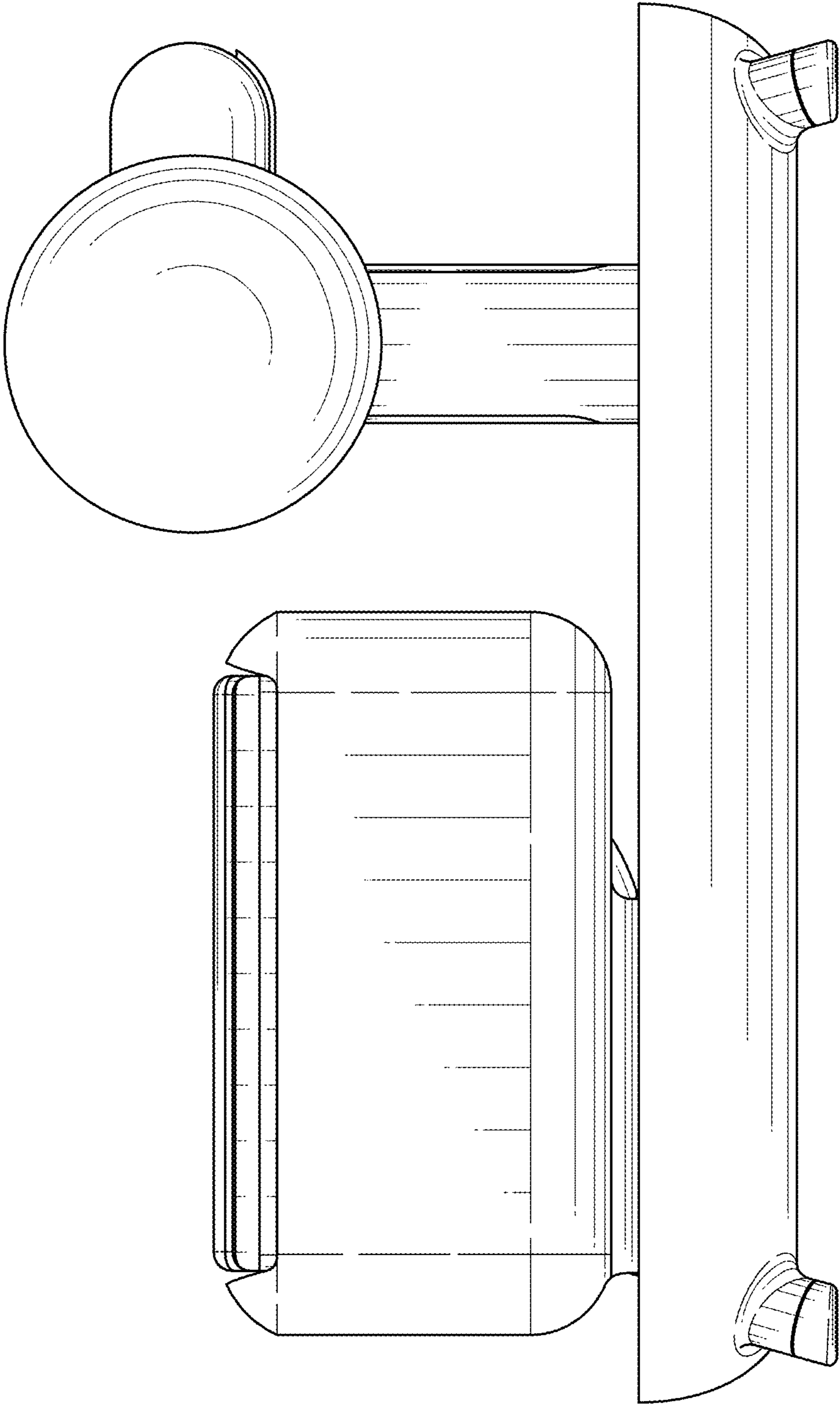


FIG. 4

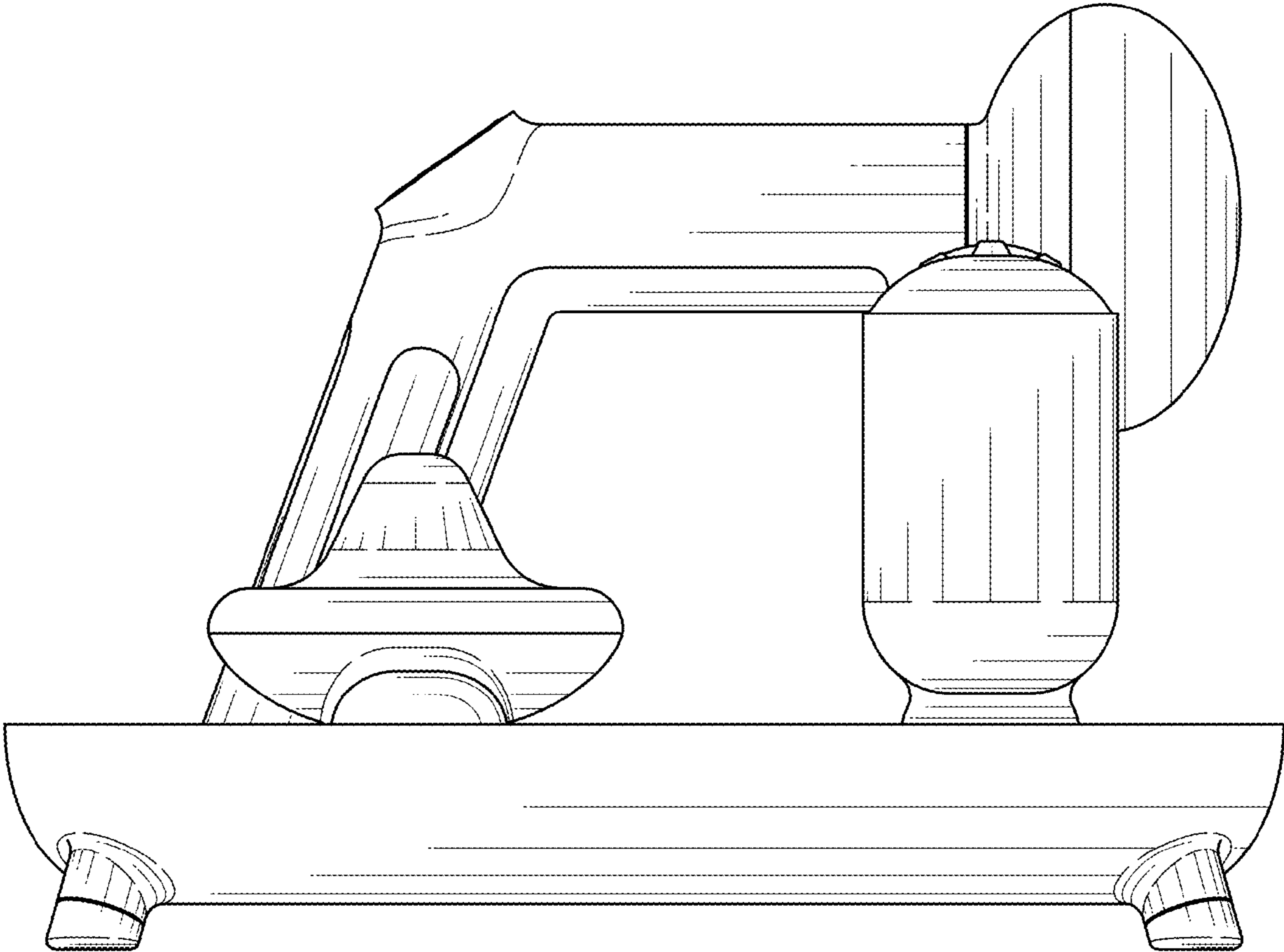


FIG. 5

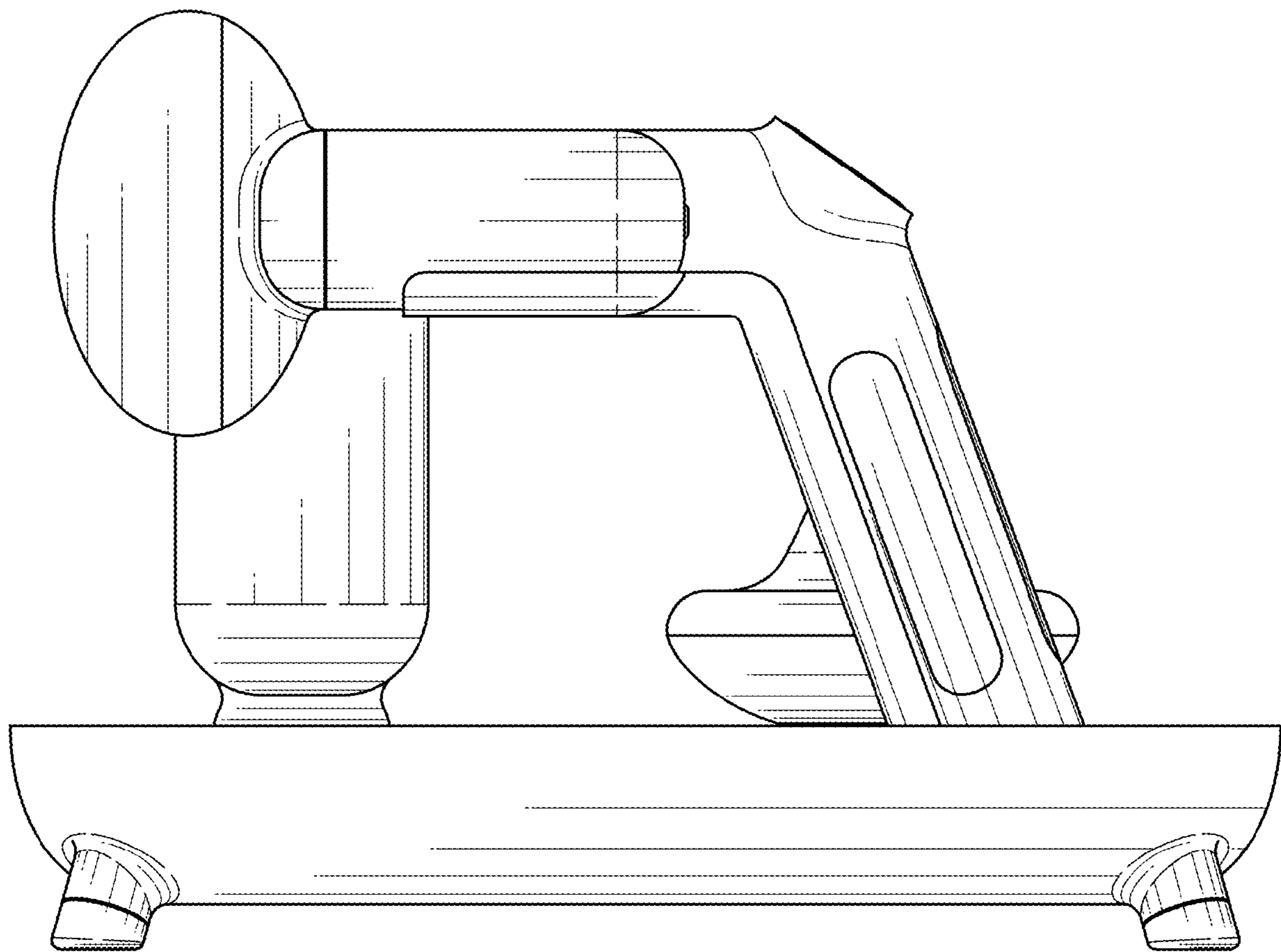


FIG. 6

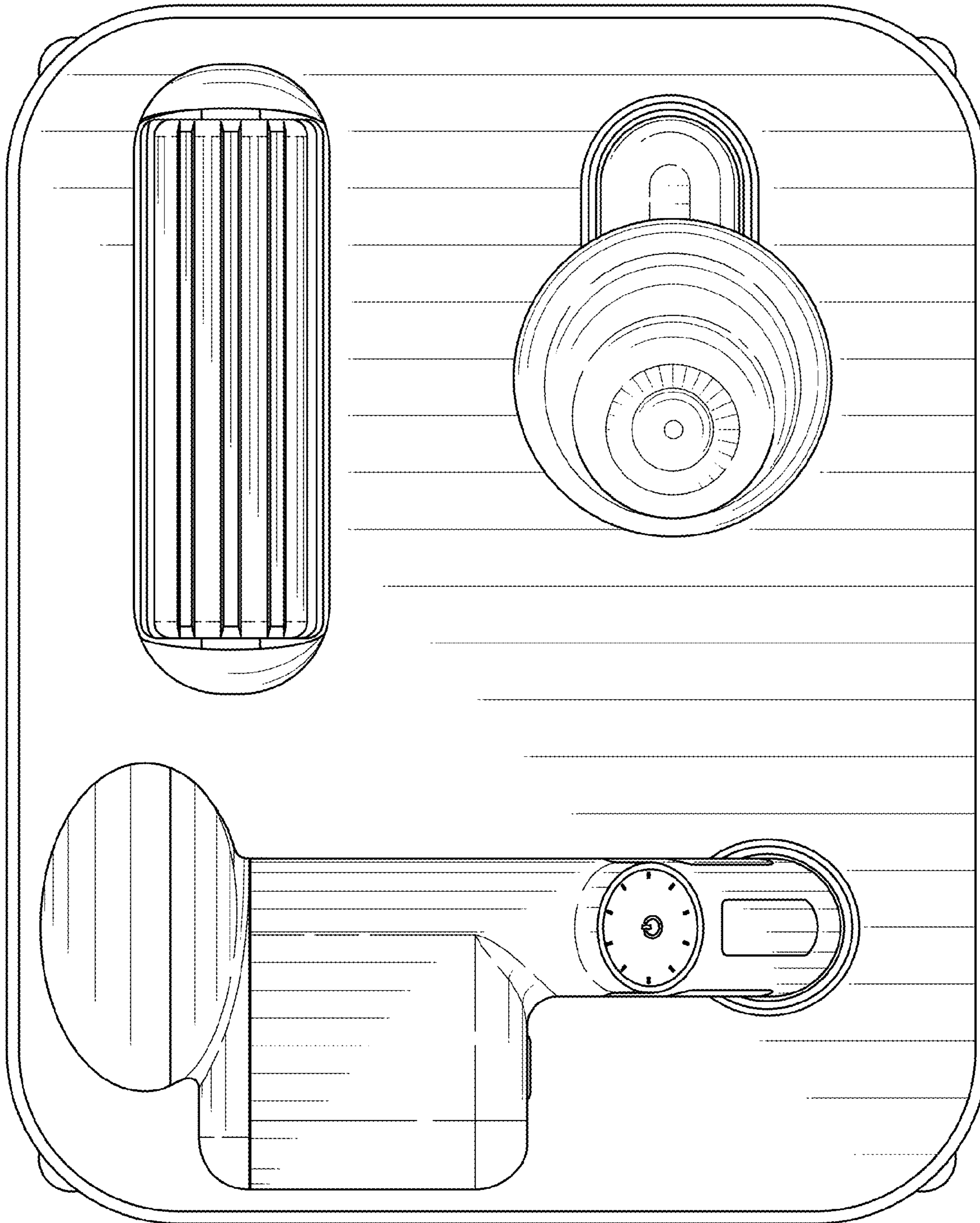


FIG. 7



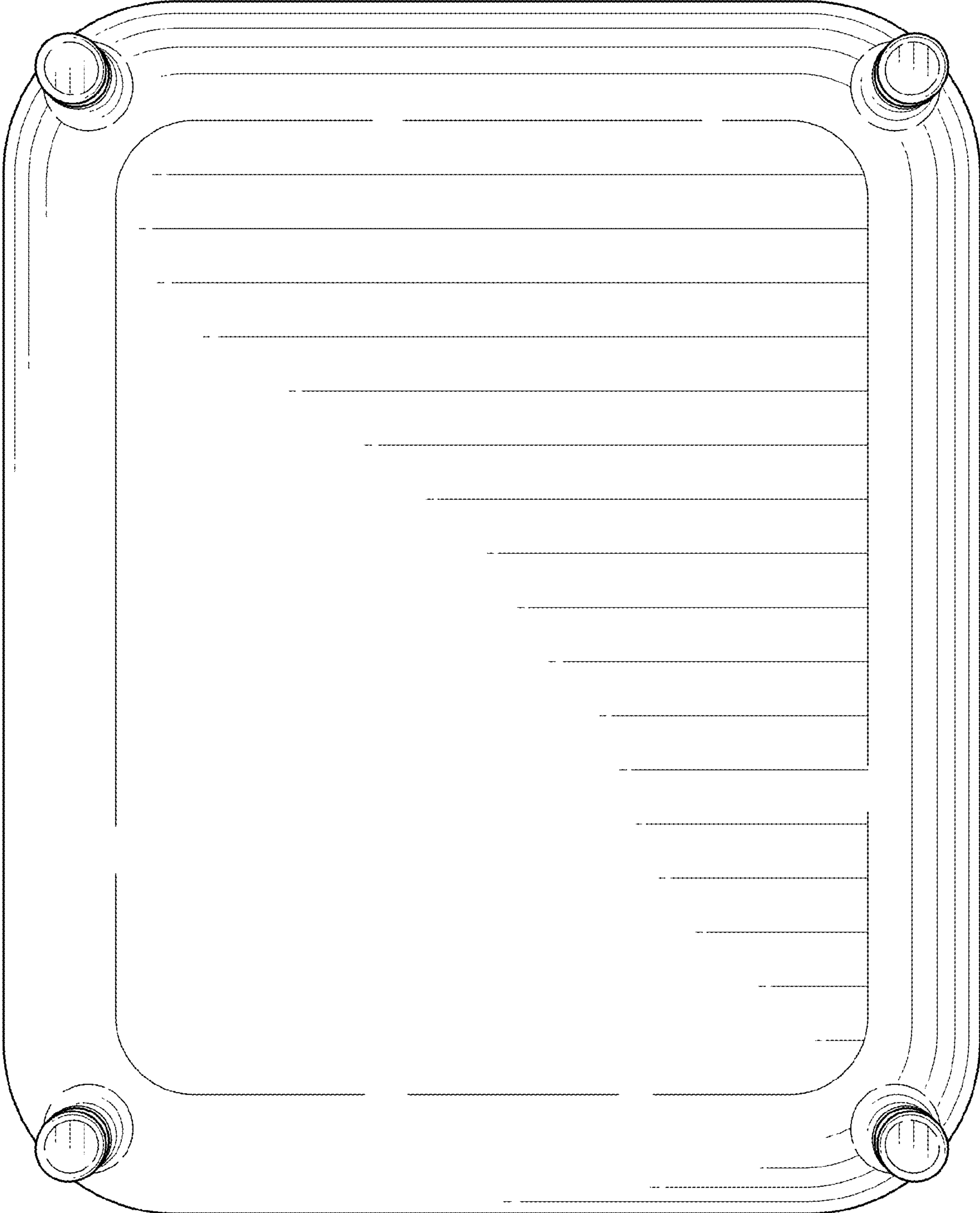


FIG. 8