



US00D965161S

(12) **United States Design Patent** (10) **Patent No.:** **US D965,161 S**
Li (45) **Date of Patent:** **** Sep. 27, 2022**

(54) **FOOT MASSAGER**

(71) Applicant: **Zhifeng Li**, Shenzhen (CN)

(72) Inventor: **Zhifeng Li**, Shenzhen (CN)

(**) Term: **15 Years**

(21) Appl. No.: **29/784,336**

(22) Filed: **May 19, 2021**

(51) **LOC (13) Cl.** **28-03**

(52) **U.S. Cl.**
USPC **D24/213**

(58) **Field of Classification Search**

USPC D24/215, 200, 211, 212, 213, 214, 133,
D24/107, 231, 184, 188

CPC .. A61H 1/00; A61H 15/00; A61H 2015/0007;
A61H 2015/0014; A61H 33/00; A61H
35/00; A61H 2205/12; A61H 2201/164

See application file for complete search history.

(56) **References Cited**

U.S. PATENT DOCUMENTS

D234,879 S	4/1975	Talge	
D417,285 S *	11/1999	Moon	D24/212
D430,937 S *	9/2000	Noble	D24/213
D478,670 S	8/2003	Tsai	
D523,560 S *	6/2006	Tsai	D24/212
D539,914 S *	4/2007	Park	D24/213
D542,927 S *	5/2007	Harris	D24/212
D630,336 S *	1/2011	Park	D24/213
D701,612 S *	3/2014	Robinson	D24/213
D713,969 S *	9/2014	Robinson	D24/200
D746,482 S *	12/2015	Ho	D24/213
D848,623 S *	5/2019	Franche	D24/188
D931,485 S *	9/2021	Ho	D24/213
D941,942 S *	1/2022	Schmidt	D21/688
2007/0267020 A1 *	11/2007	Harris	A61H 23/00 128/205.24
2017/0071824 A1 *	3/2017	Park	A61H 23/02
2019/0183712 A1 *	6/2019	Chuang	A61H 23/02
2021/0186802 A1 *	6/2021	Li	A61H 23/0254

OTHER PUBLICATIONS

Rzoizwko—Electronic Foot Massager Machine. Date: Jul. 7, 2020. [online]. [Site visited Feb. 14, 2022]. Available from Internet URL: <https://www.amazon.co.uk/dp/B08CGMXH3G/> (Year: 2020).*

Quinear—Foot and Back Massager. Date: Aug. 20, 2020. [online]. [Site visited Feb. 14, 2022]. Available from Internet URL: <https://www.amazon.co.uk/dp/B089219864/> (Year: 2020).*

Revitive—Circulation Booster. Date: Jan. 18, 2021. [online]. [Site visited Feb. 14, 2022]. Available from Internet URL: <https://www.amazon.co.uk/dp/B08TBKRGKV/> (Year: 2021).*

Foot massagers. (Design—© Questel) orbit.com. [Online PDF compilation of references] 49 pgs. Print Dates Range Apr. 30, 2014-Dec. 11, 2020 [Retrieved Feb. 17, 2022] <https://www.orbit.com/export/UCZAH96B/pdf4/9c2ebe48-6c67-47c4-b9c8-2924cb9bb8-200528.pdf> (Year: 2022).*

* cited by examiner

Primary Examiner — Susan Bennett Hattan

Assistant Examiner — Landon Thomas Cassell

(74) *Attorney, Agent, or Firm* — Georgi Korobanov

(57) **CLAIM**

The ornamental design for a foot massager, as shown and described.

DESCRIPTION

FIG. 1 is a perspective view of a foot massager showing my new design;

FIG. 2 is another perspective view thereof;

FIG. 3 is a front view thereof;

FIG. 4 is a rear view thereof;

FIG. 5 is a right side view thereof;

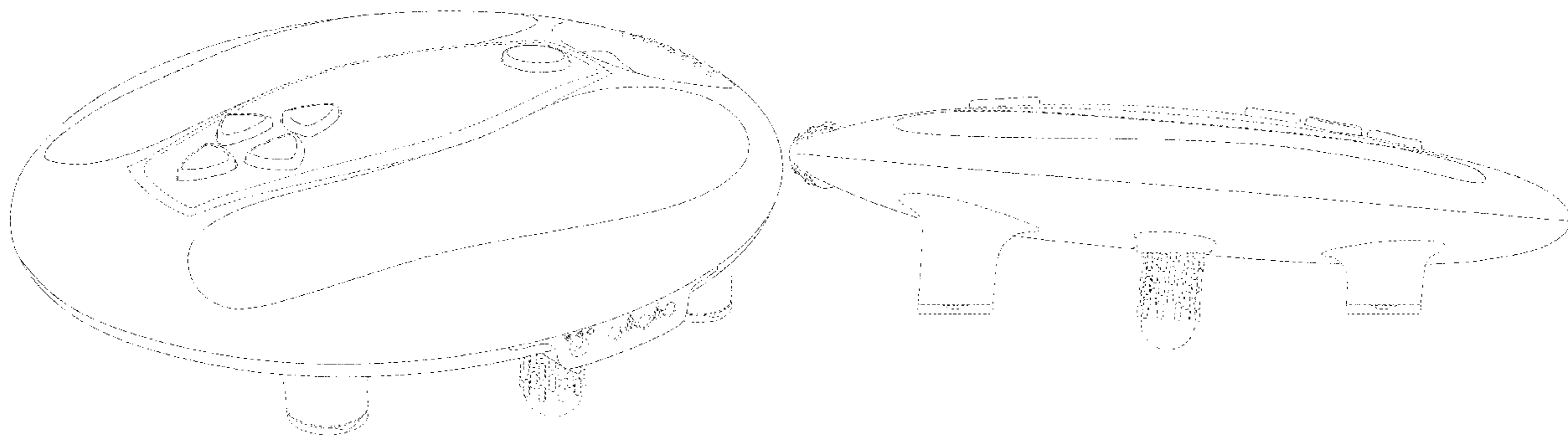
FIG. 6 is a left side view thereof;

FIG. 7 is a top plan view thereof; and,

FIG. 8 is a bottom plan view thereof.

The broken lines in the drawing depict portions of the foot massager and form no part of the claimed design.

1 Claim, 8 Drawing Sheets



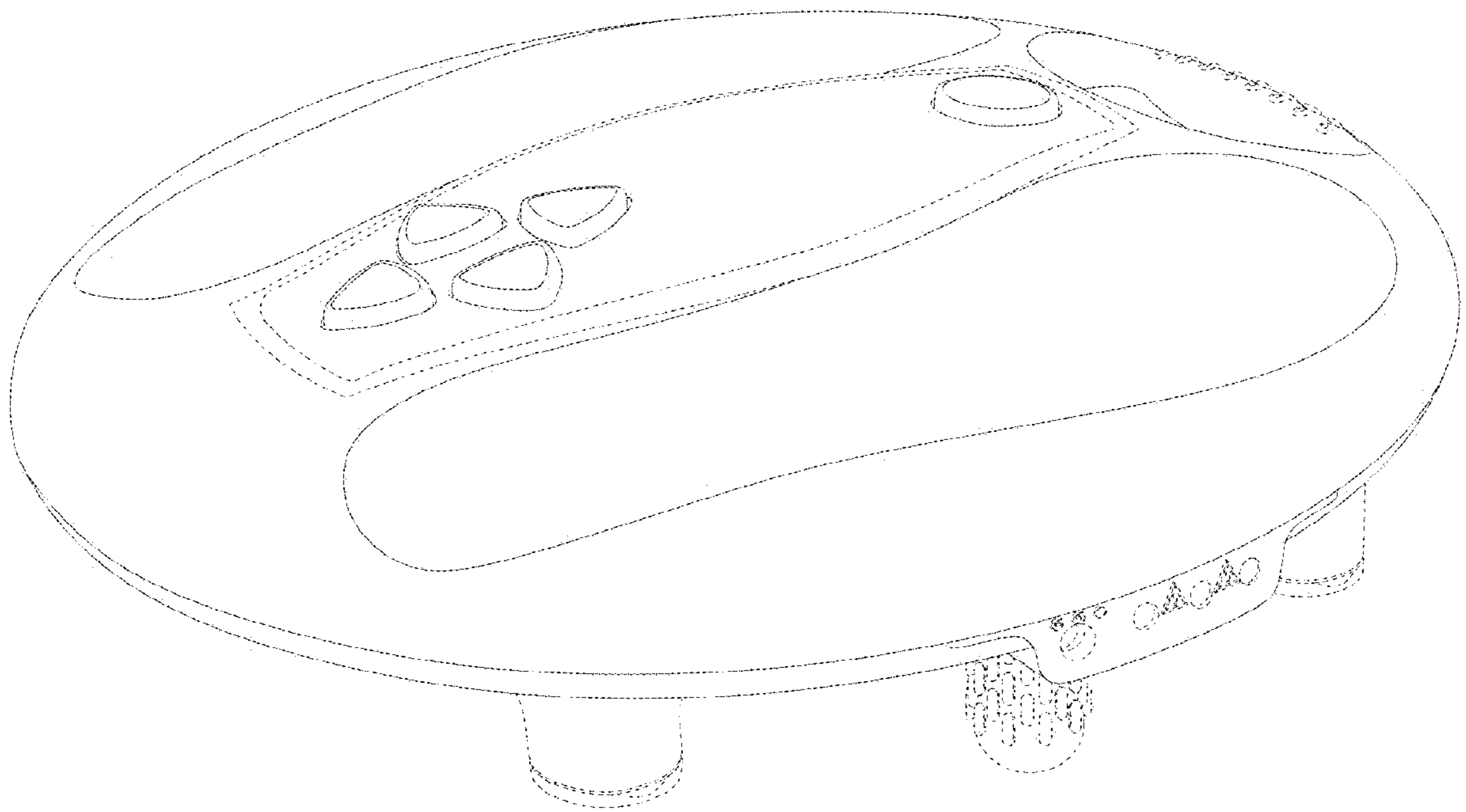


FIG. 1

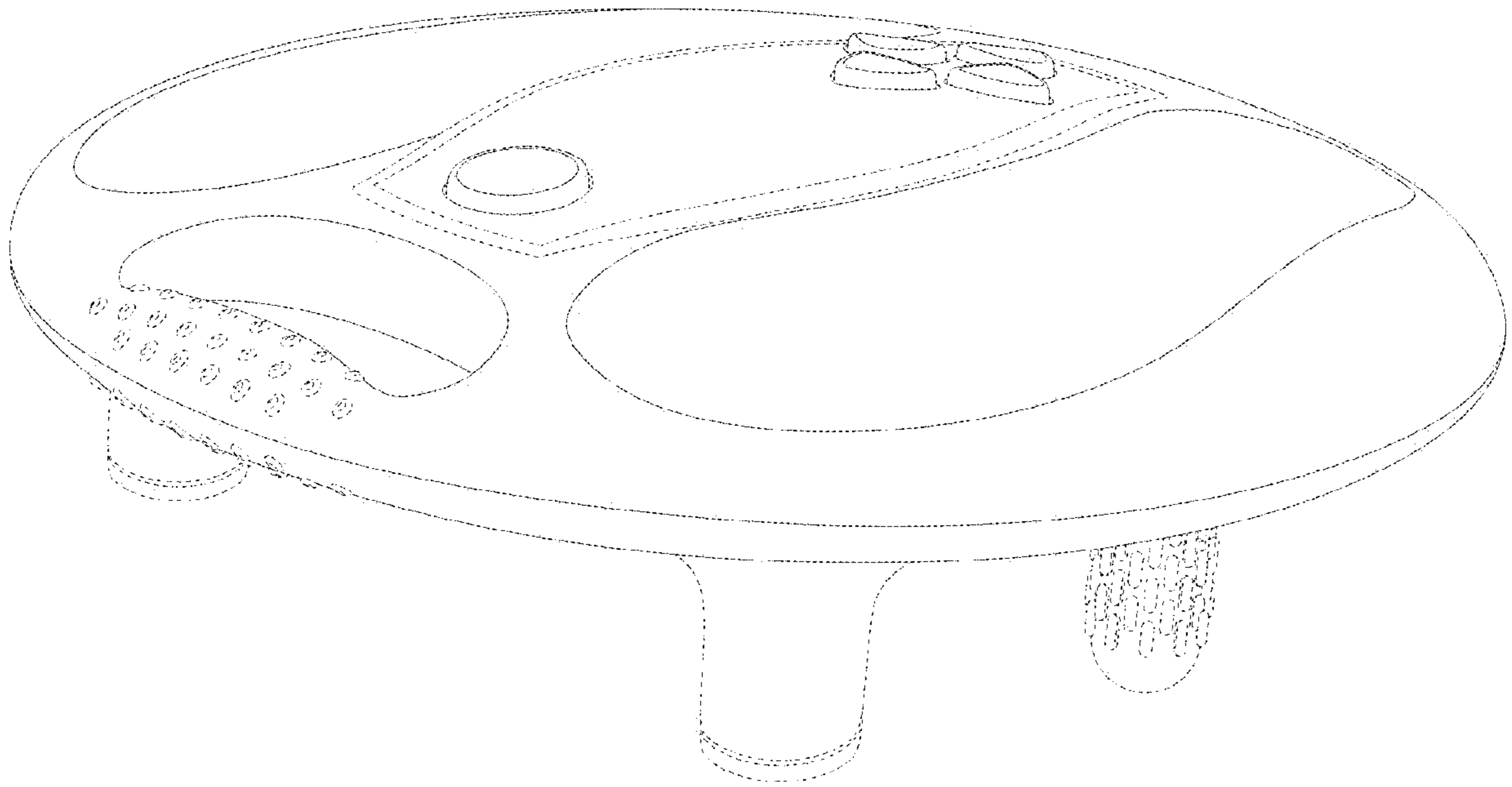


FIG. 2

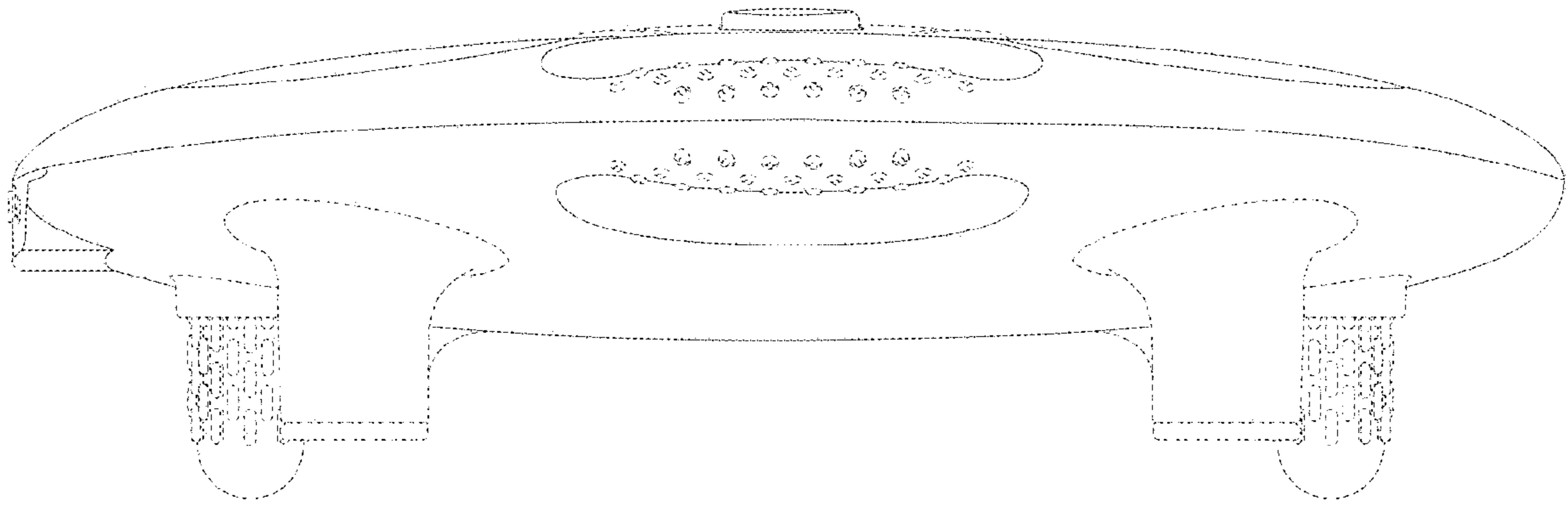


FIG. 3

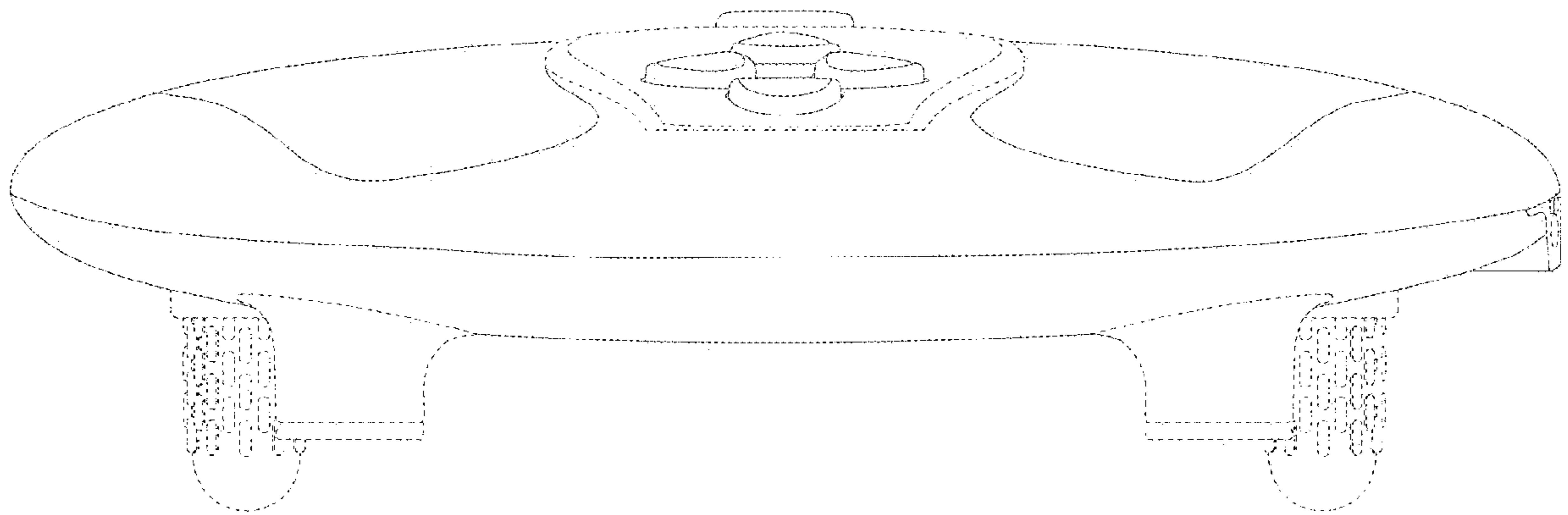


FIG. 4

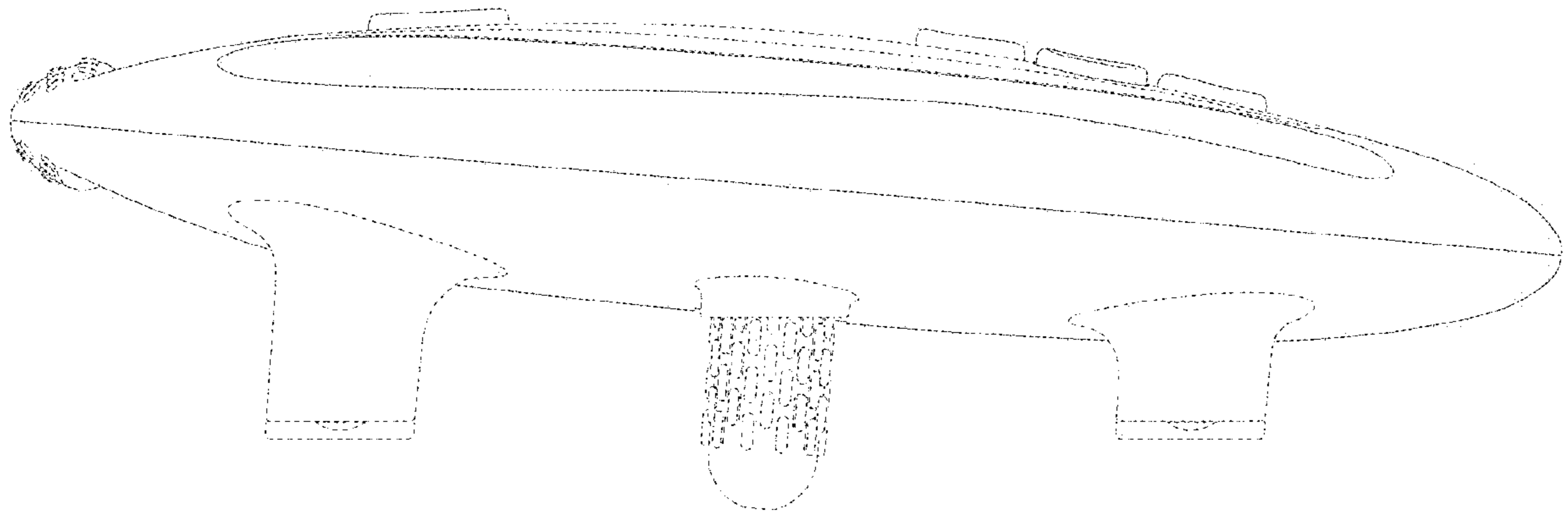


FIG. 5

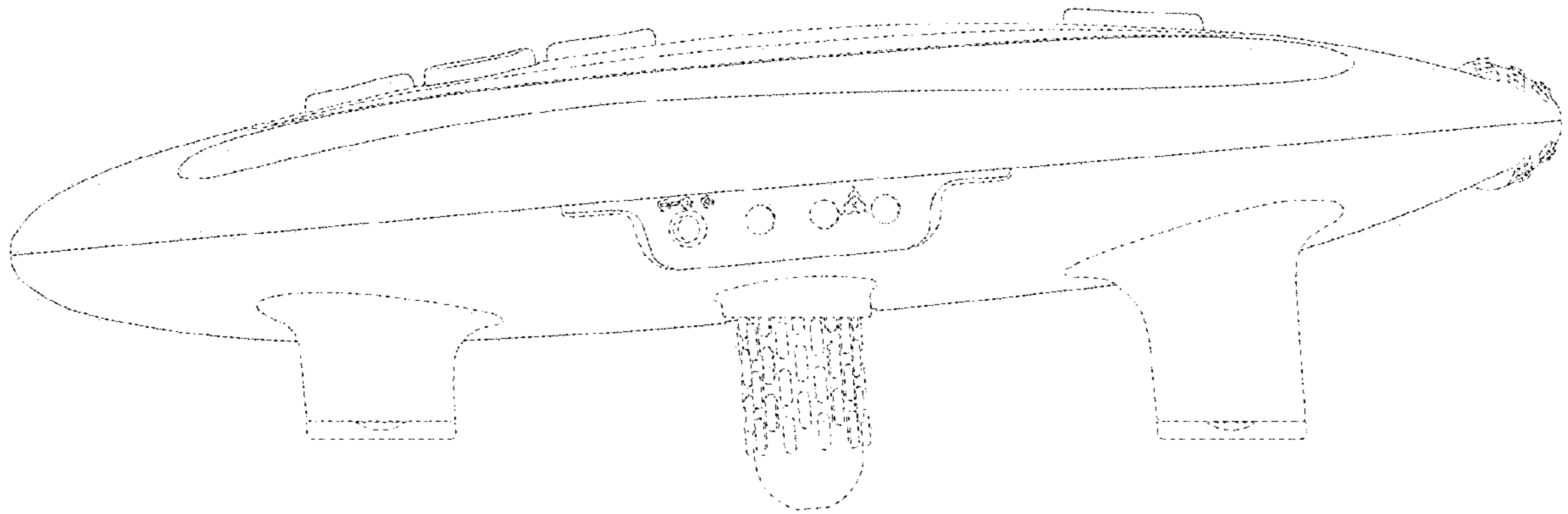


FIG. 6

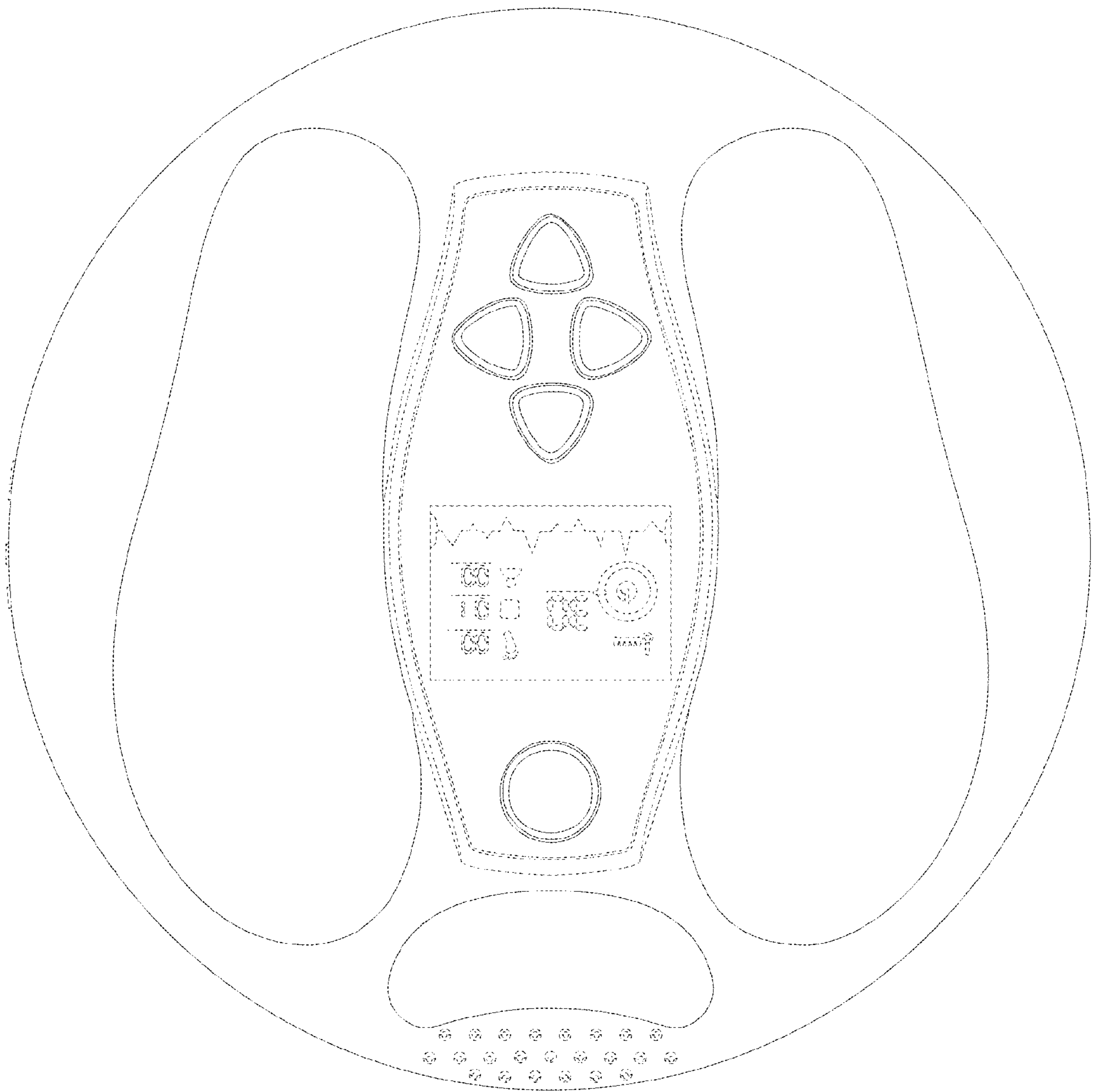


FIG. 7

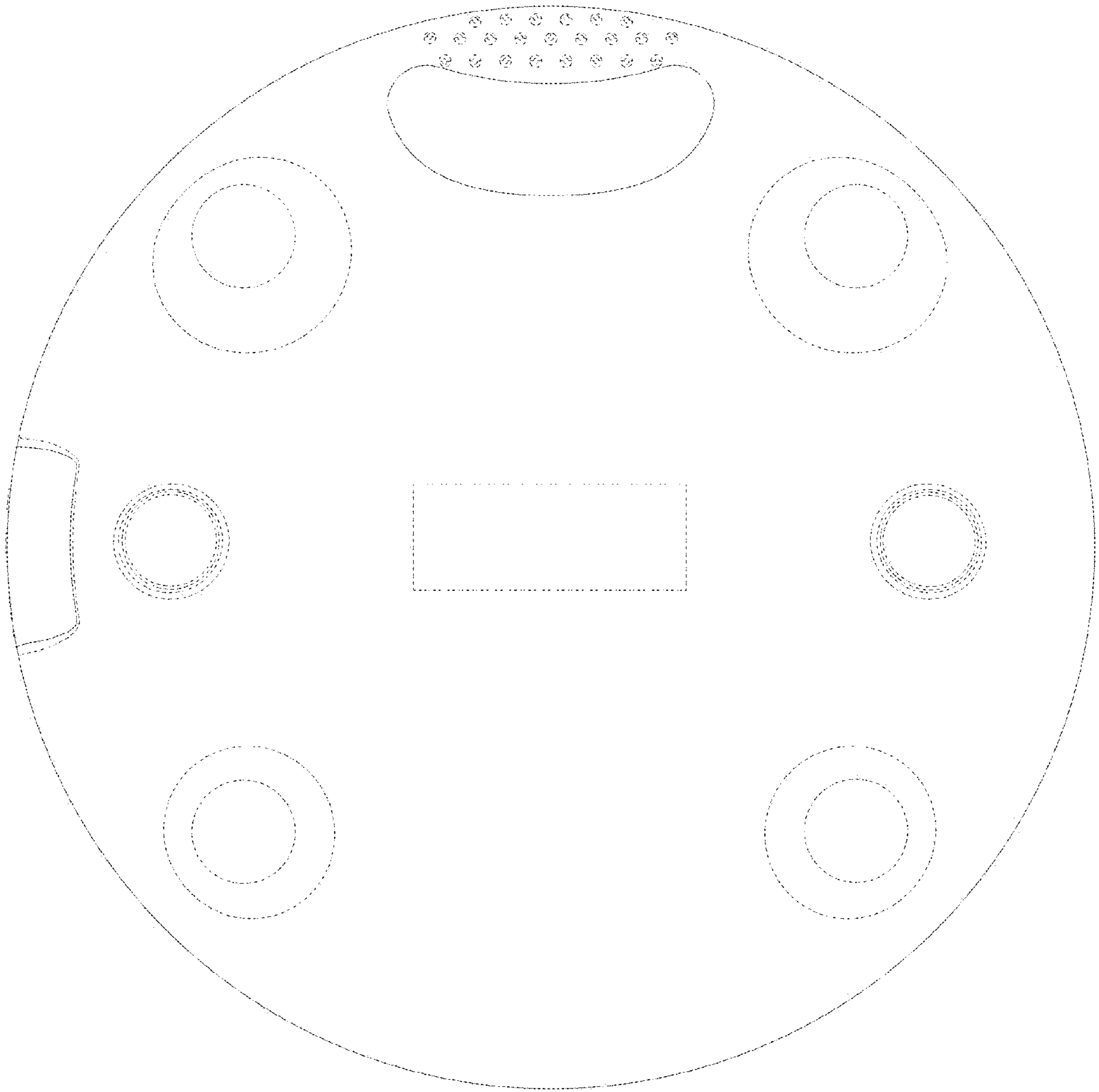


FIG. 8