



US00D965155S

(12) **United States Design Patent** (10) **Patent No.:** **US D965,155 S**
Liu (45) **Date of Patent:** **** Sep. 27, 2022**

(54) **PLANTAR FASCIITIS NIGHT SPLINT**

(71) Applicant: **Chengfei Liu, Yongxing (CN)**

(72) Inventor: **Chengfei Liu, Yongxing (CN)**

(**) Term: **15 Years**

(21) Appl. No.: **29/864,085**

(22) Filed: **May 9, 2022**

(51) **LOC (13) Cl.** **24-02**

(52) **U.S. Cl.**
USPC **D24/192; D24/190**

(58) **Field of Classification Search**
USPC D24/188–190, 145, 191, 192; D29/121.1,
D29/113, 114
CPC A61F 13/0203; A61F 13/023; A61F
13/0276; A61F 13/0246; A61F 13/022;
A61F 13/0259; A61F 2013/00846; A61F
2013/00604; A61F 5/0111; A61F 5/0113;
A61F 5/0195; A61F 5/01; A61F 5/0585;
A61F 5/058; A61F 5/05875; A61F
13/065; A61F 13/066; A61L 15/58; A61L
15/26

See application file for complete search history.

(56) **References Cited**

U.S. PATENT DOCUMENTS

- 3,527,209 A * 9/1970 Baker A61F 5/0113
602/28
- D338,273 S * 8/1993 Williams D24/190
- D345,421 S * 3/1994 Schumann D24/190
- D358,891 S * 5/1995 Miller D24/192
- D375,164 S * 10/1996 Wasserman D24/192
- D388,173 S * 12/1997 Eriksson D24/190
- D388,174 S * 12/1997 Stano D24/192
- 5,700,237 A * 12/1997 Hess A61F 5/0585
602/27
- D394,110 S * 5/1998 Duback D24/192
- D394,111 S * 5/1998 Duback D24/192
- D394,112 S * 5/1998 Duback D24/192

- D394,905 S * 6/1998 Duback D24/192
- D395,514 S * 6/1998 Stano D24/192
- 5,776,090 A * 7/1998 Bergmann A61F 5/0111
128/882
- D397,797 S * 9/1998 Chiang D24/192
- D412,581 S * 8/1999 Brennan D24/192
- D425,672 S * 5/2000 Ayala D2/901

(Continued)

OTHER PUBLICATIONS

Plantar Fasciitis Night Splint, [site visited Jul. 16, 2022]. Available from Internet. URL: https://www.amazon.com/Plantar-Fasciitis-Night-Splint-Tendonitis/dp/B0B17D75P7/ref=pd_lpo_3?pd_rd_i=B0B17D75P7&psc=1 (Year: 2022)—first available May 13, 2022.*

(Continued)

Primary Examiner — T Chase Nelson

Assistant Examiner — Kelly L Gross

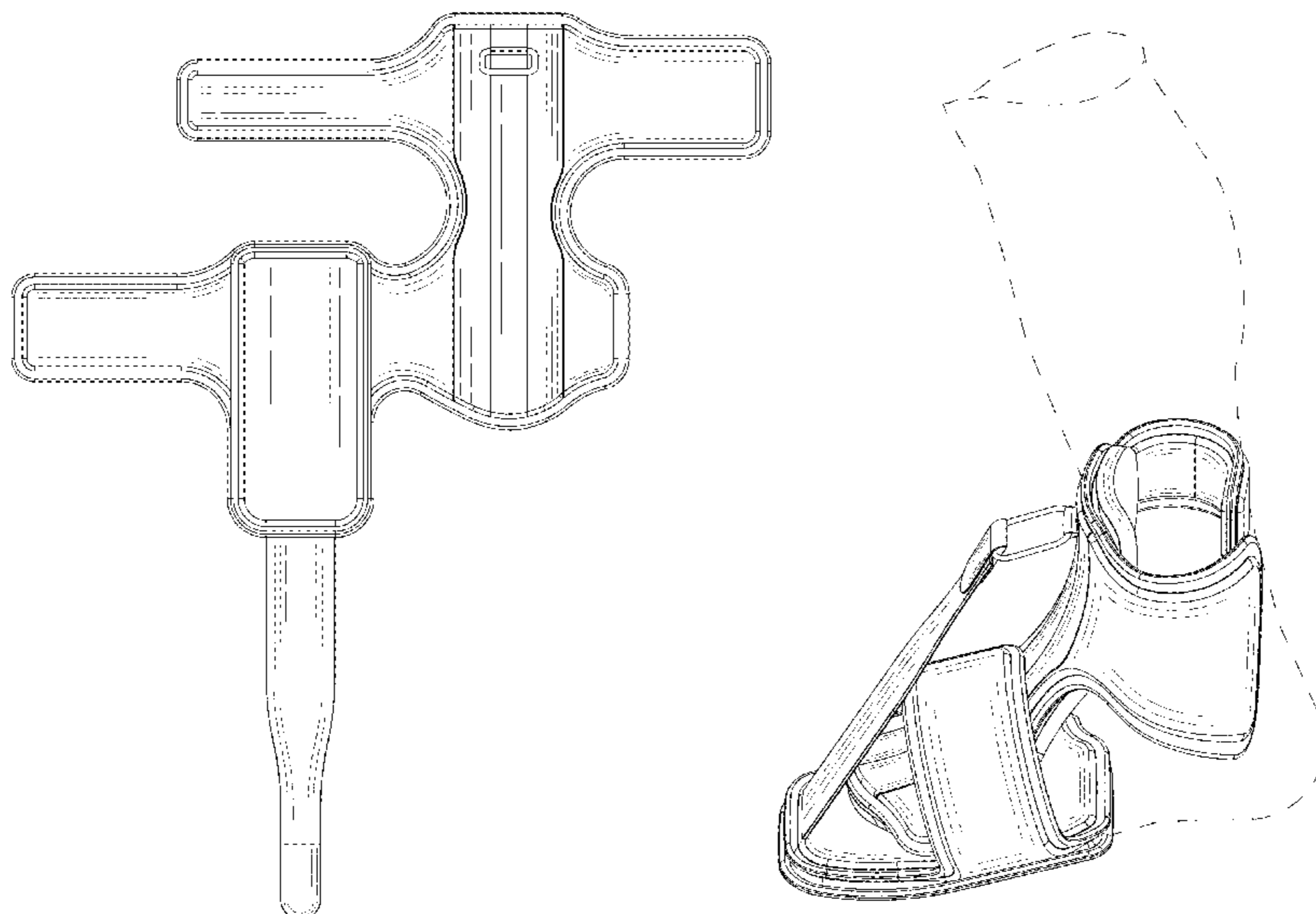
(57) **CLAIM**

The ornamental design for a plantar fasciitis night splint, as shown and described.

DESCRIPTION

FIG. 1 is a front elevation view of a plantar fasciitis night splint showing the new design;
FIG. 2 is a back elevation view thereof;
FIG. 3 is a left-side view thereof;
FIG. 4 is a right-side view thereof;
FIG. 5 is a top plan view thereof;
FIG. 6 is a bottom plan view thereof;
FIG. 7 is a perspective view thereof;
FIG. 8 is a perspective view thereof; and,
FIG. 9 is a perspective view of the plantar fasciitis night splint in a state of use.
The broken lines depict environmental structure associated with the plantar fasciitis night splint in a condition of use. The broken lines and subject matter they depict form no part of the claimed design.

1 Claim, 9 Drawing Sheets



(56)

References Cited

U.S. PATENT DOCUMENTS

6,090,059 A * 7/2000 Wasserman A61F 5/0111
602/23
D431,296 S * 9/2000 Swedberg D24/192
6,126,627 A * 10/2000 Brennan A61F 5/0111
602/65
D434,504 S * 11/2000 Miller D24/192
D436,177 S * 1/2001 Miller D24/192
D454,200 S * 3/2002 Lamping D24/192
D475,789 S * 6/2003 McCormick D24/190
D477,413 S * 7/2003 Schirmacher D24/206
D481,798 S * 11/2003 Slautterback D24/192
D482,792 S * 11/2003 McCormick D24/192
D495,095 S * 8/2004 Beland D29/121.1
D497,207 S * 10/2004 Slautterback D24/192
D499,185 S * 11/2004 Rabe D24/192
6,827,696 B1 * 12/2004 Maguire A61F 5/0111
602/5
D515,217 S * 2/2006 Machin D24/192
D530,016 S * 10/2006 Sroufe D24/192
7,115,105 B2 * 10/2006 Cropper A61F 5/0111
602/65
D553,251 S * 10/2007 Watts D24/192
D613,415 S * 4/2010 Arbesman
D618,359 S * 6/2010 Einarsson D24/192
D638,950 S * 5/2011 Janzon D24/192
D643,537 S * 8/2011 Lee D24/192
D649,651 S * 11/2011 Weaver, II D24/192
D673,281 S * 12/2012 Rust Huthmaker
8,409,123 B2 * 4/2013 Hoffmeier A61F 5/58
602/61
D682,434 S * 5/2013 Heyd D24/192
8,475,397 B2 * 7/2013 Chiu A61F 5/0127
602/17
D693,472 S * 11/2013 Huiner
D696,409 S * 12/2013 Best D24/192
D700,404 S * 2/2014 Niefer D29/121.2
D708,344 S * 7/2014 Best D24/192
D722,382 S * 2/2015 Lee
D757,290 S * 5/2016 Chen D24/215
D779,077 S * 2/2017 Ledezma D24/192
D798,970 S * 10/2017 Handshoe D21/685
D814,043 S * 3/2018 Danek D24/192
D819,219 S * 5/2018 Izuka D24/190
D819,822 S * 6/2018 Schmitt D24/192
D834,205 S * 11/2018 Ducharme D24/192
D834,206 S * 11/2018 Ducharme D24/192
D839,439 S * 1/2019 Ducharme D24/192

D848,625 S * 5/2019 Chase D24/190
D859,670 S * 9/2019 Rokitta D24/192
10,406,013 B2 * 9/2019 Hoffmeier A61F 5/58
D872,288 S * 1/2020 Zhang D24/192
D872,289 S * 1/2020 Zhang D24/192
D873,424 S * 1/2020 Zhang A61F 5/58
D24/192
D882,099 S * 4/2020 Zhu D24/190
D884,910 S * 5/2020 Schiaparelli D24/192
D885,594 S * 5/2020 Schiaparelli D24/192
D897,547 S * 9/2020 Kuehl D24/192
D915,608 S * 4/2021 Esfhani
D921,207 S * 6/2021 Chase D24/190
D923,805 S * 6/2021 Li D24/207
D939,095 S * 12/2021 Ren D24/190
D944,405 S * 2/2022 Lee D24/192
D947,392 S * 3/2022 Hu D24/192
11,259,947 B2 * 3/2022 Best A61F 5/30
11,278,439 B2 * 3/2022 Hinshon A61F 5/0127

OTHER PUBLICATIONS

Bracewell Plantar Fasciitis Night Splint 2.0,[site visited Jul. 16, 2022]. Available from Internet. URL: <https://www.amazon.com/Bracewell-Plantar-Fasciitis-Splint-Morning/dp/B09YHGH9R9R> (Year: 2022).*

Plantar Fasciitis Night Splint: 2 Packs 2022 Upgraded Plantar Fasciitis Brace with Soft Memory Foam Pad | Ankle Brace for Plantar Fasciitis Relief Achilles Tendonitis Relief Foot Drop Heel Arch Pain Support for Women Pink—from Amazon.com, printed on May 8, 2022.

Plantar Fasciitis Night Splint Foot Brace: Adjustable Drop Foot Support Stretcher Dorsal Orthotic Brace for Women Men—Relief Pain from Plantar Fasciitis, Achilles Tendonitis, Arch Foot, Heel Spurs—from Amazon.com, printed on May 8, 2022.

Upgraded Plantar Fasciitis Night Splint , Adjustable Plantar Fasciitis Relief Night Splint for Women & Men, Relief Brace for Plantar Fasciitis Relief, Achilles Tendonitis and Foot Drop—from Amazon.com, printed on May 8, 2022.

United Ortho Plantar Fasciitis Adjustable Leg Support Brace Fits Right or Left Foot for Soreness Relief, Foot Pain and Stretching, Large, Black—from Amazon.com, printed on May 8, 2022.

Fit Geno Plantar Fasciitis Night Splint, Achilles Tendonitis Relief, Plantar Fasciitis Night Pain Relief Set Featuring Adjustable Foot Splint, Hard Spiky Massage Ball, 2 Arch Support Bands, and Travel Bag, Black—from Amazon.com, printed on May 8, 2022.

* cited by examiner

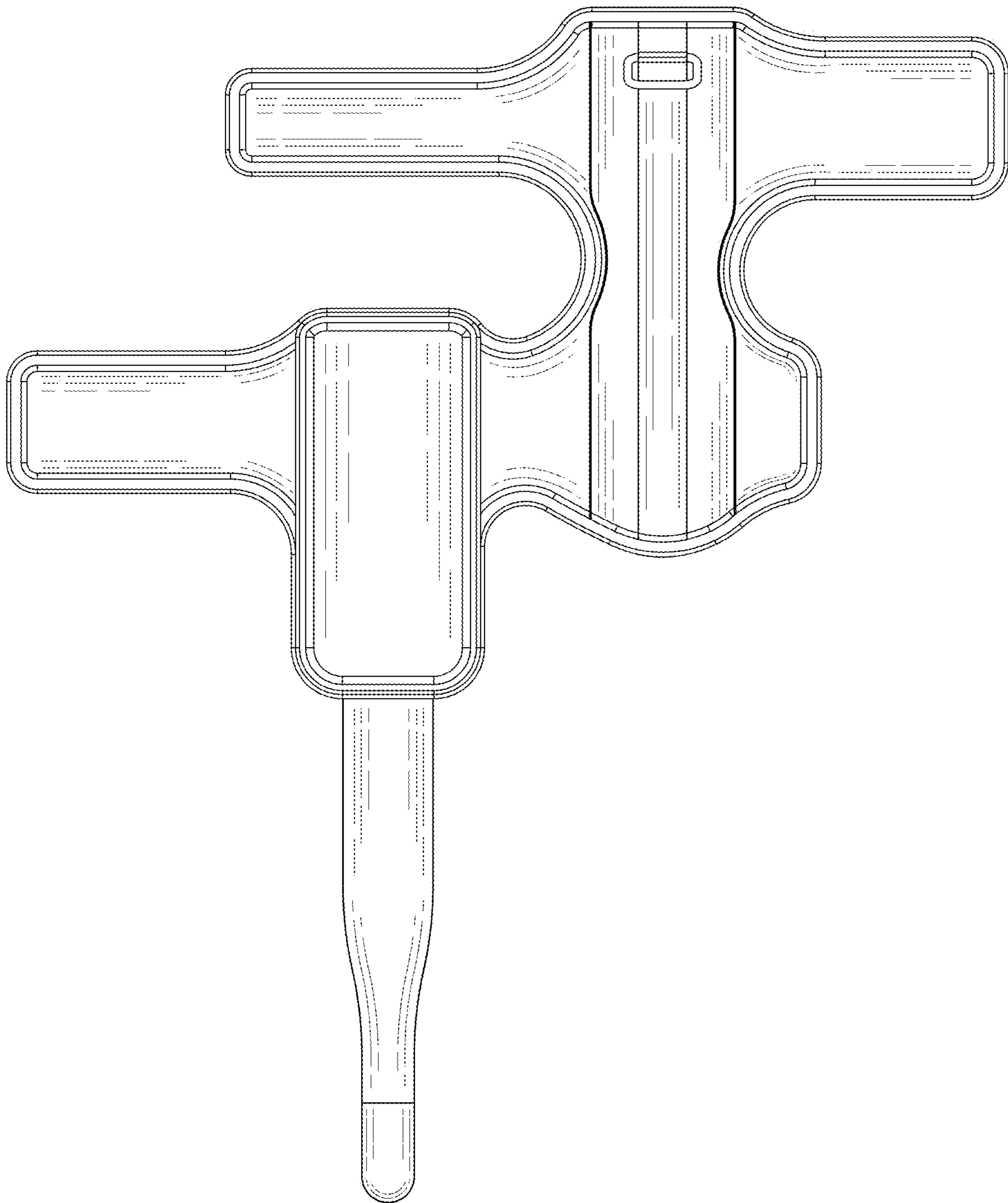


FIG. 1

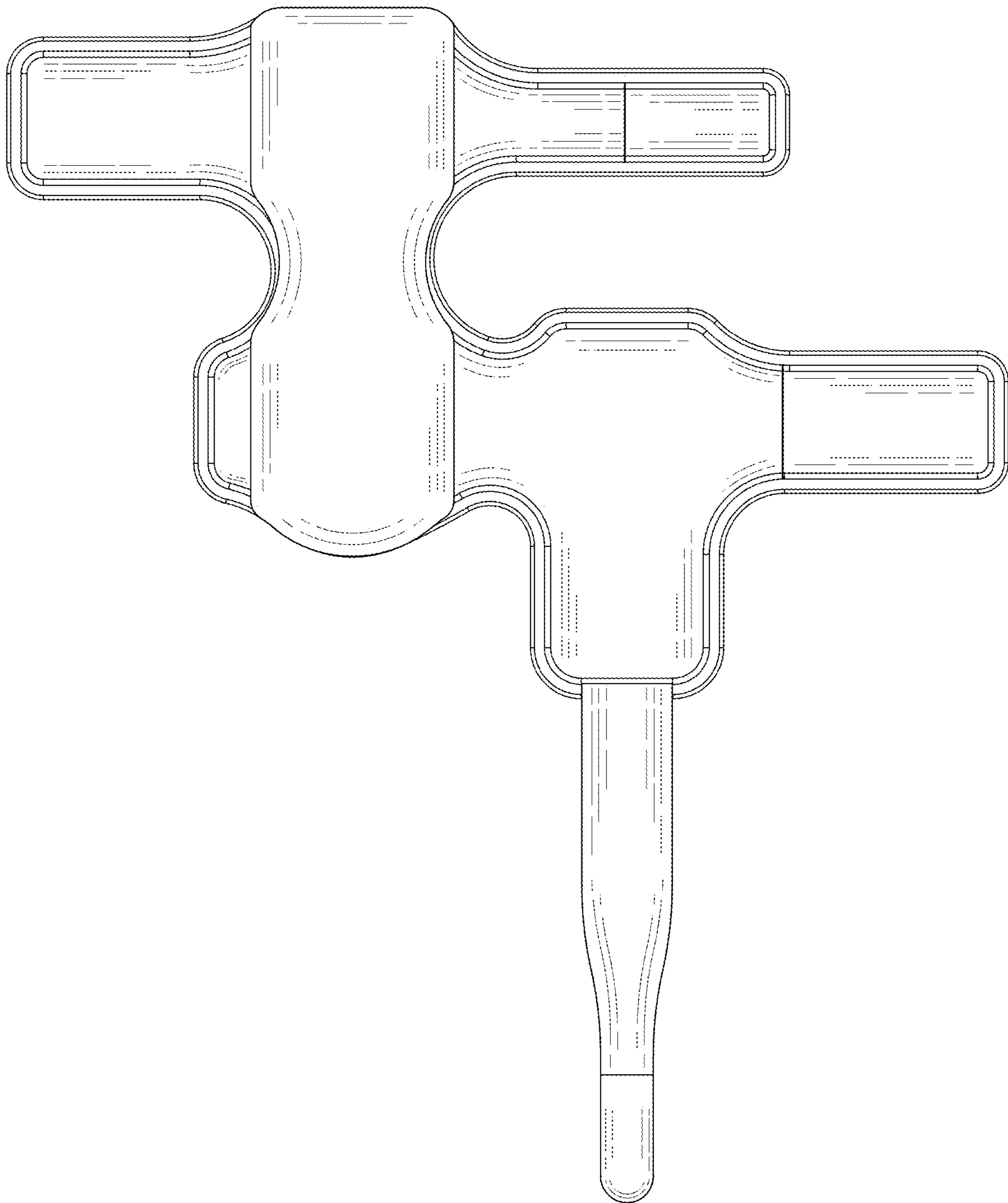


FIG. 2

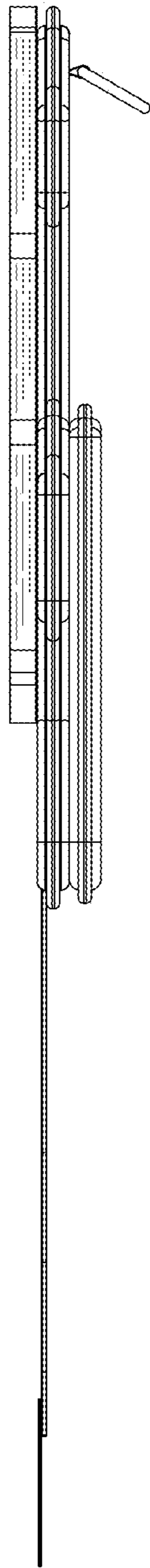


FIG. 3

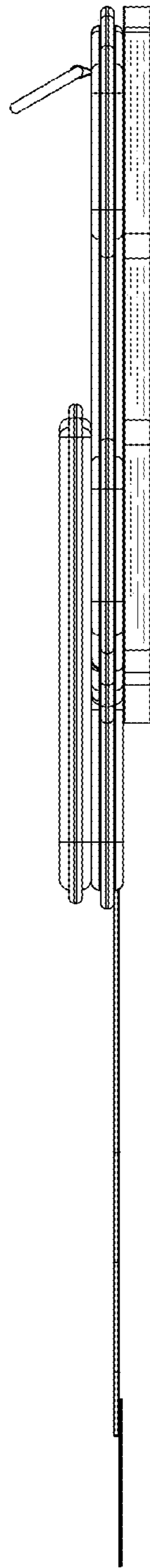


FIG. 4

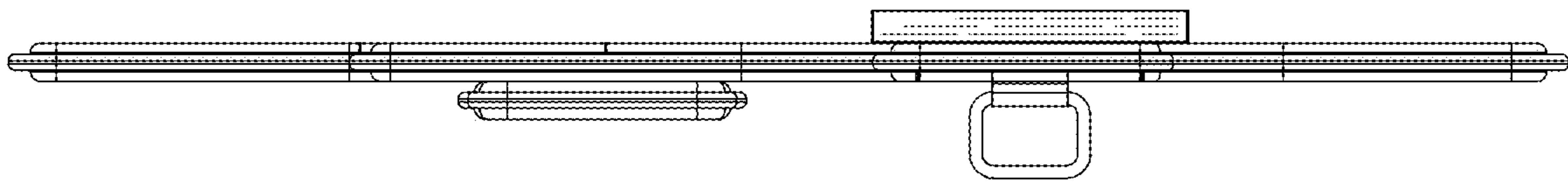


FIG. 5

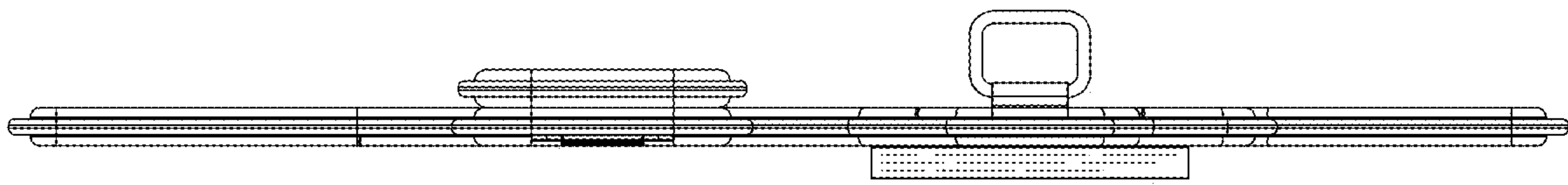


FIG. 6

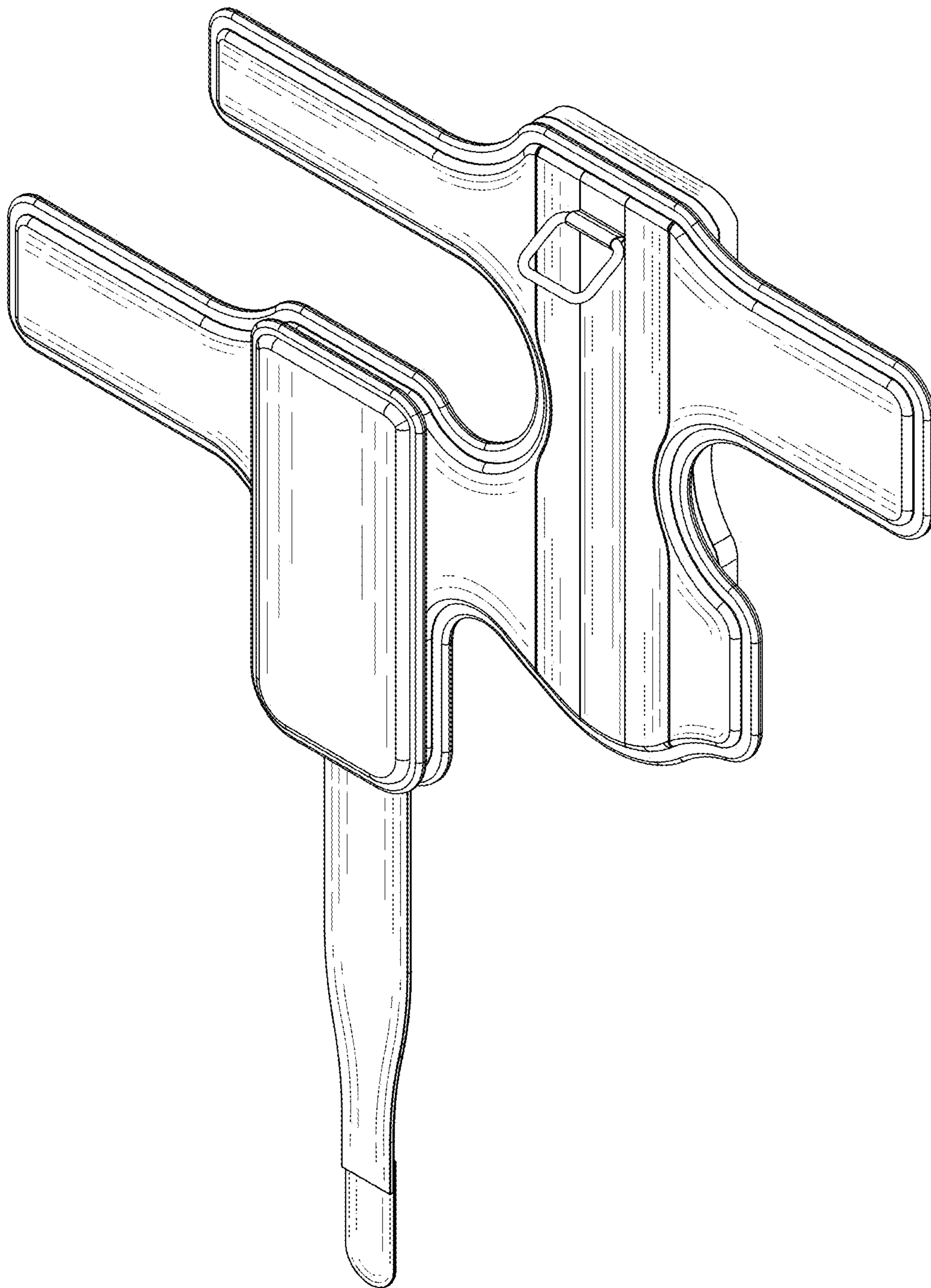


FIG. 7

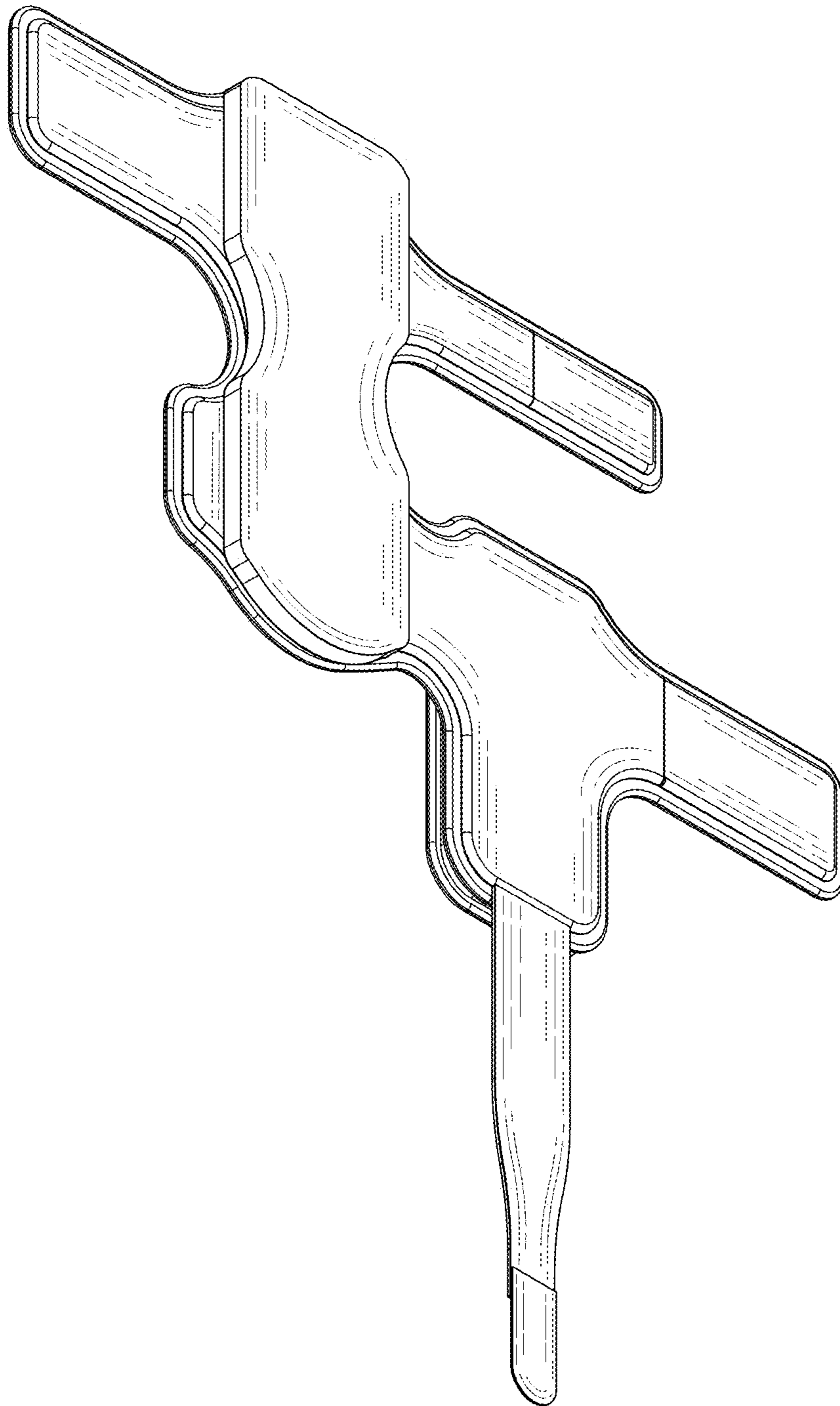


FIG. 8

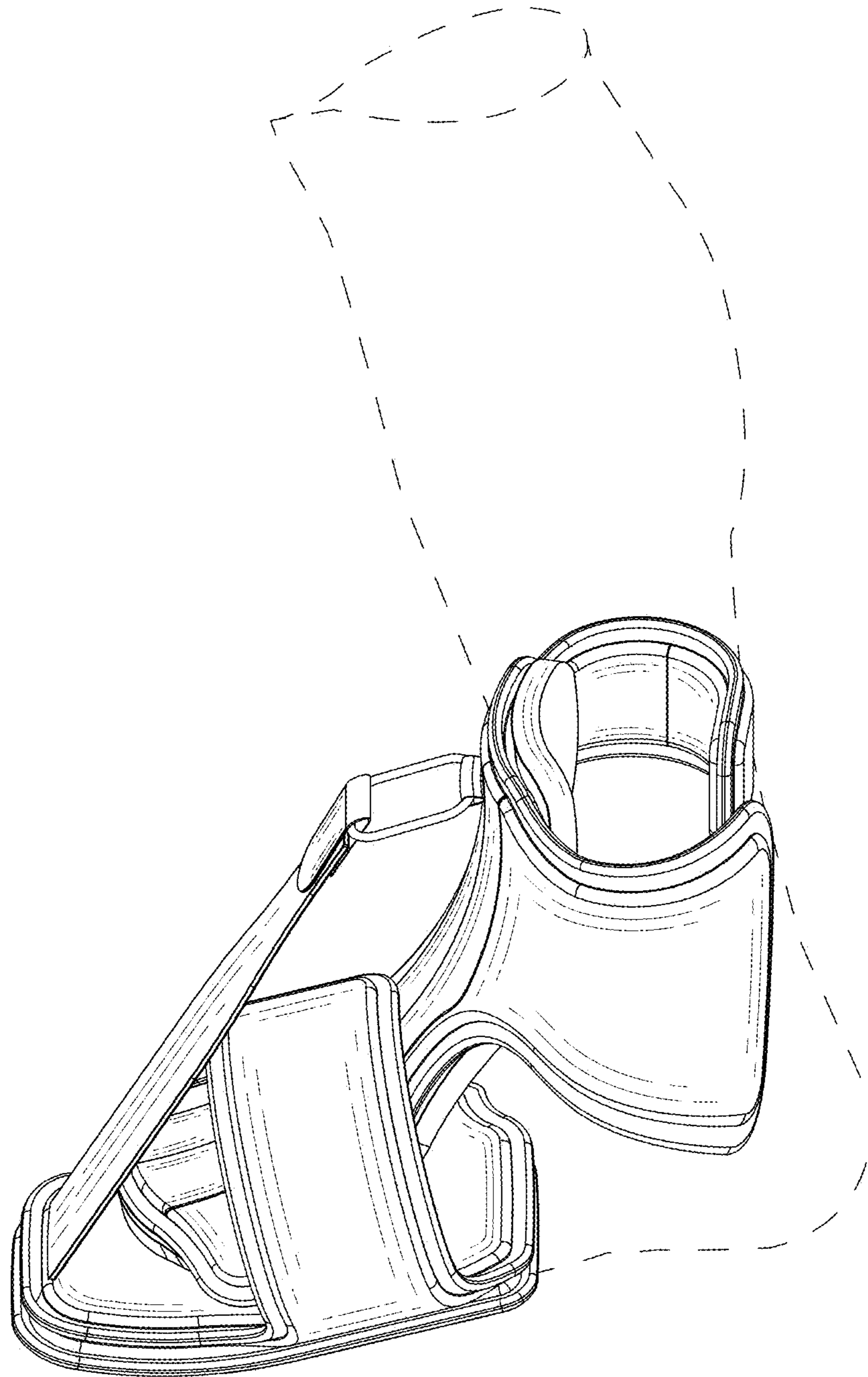


FIG. 9