



US00D965152S

(12) **United States Design Patent**  
**Chen et al.**

(10) **Patent No.:** **US D965,152 S**  
(45) **Date of Patent:** **\*\* Sep. 27, 2022**

- (54) **VISION SCREENER**
- (71) Applicant: **BEIJING FANTASY FOREST INTELLIGENT TECHNOLOGY CO., LTD**, Beijing (CN)
- (72) Inventors: **Wenming Chen**, Beijing (CN); **Fei Duan**, Beijing (CN)
- (73) Assignee: **BEIJING FANTASY FOREST INTELLIGENT TECHNOLOGY CO., LTD**, Beijing (CN)
- (\*\*) Term: **15 Years**
- (21) Appl. No.: **29/812,529**
- (22) Filed: **Oct. 22, 2021**
- (51) **LOC (13) Cl.** ..... **24-02**
- (52) **U.S. Cl.**  
USPC ..... **D24/172**
- (58) **Field of Classification Search**  
USPC ..... D24/172, 170, 216, 144, 186, 146, 158;  
D16/130  
CPC ..... A61B 3/032; A61B 3/02  
See application file for complete search history.

D895,123 S *	9/2020	He	.....	D24/186
D901,695 S *	11/2020	Zhou	.....	D24/186
D916,287 S *	4/2021	Marshall	.....	D24/146
D921,899 S *	6/2021	Suarez	.....	D24/158
D928,970 S *	8/2021	Sato	.....	D24/186
D945,615 S *	3/2022	Shin	.....	D24/144
D946,781 S *	3/2022	Kim	.....	D24/216
D948,042 S *	4/2022	Bridgers	.....	D24/170

**OTHER PUBLICATIONS**

“Popular Model . . .” reference dated Jul. 30, 2022 found by RMS on the internet at: <https://www.aliexpress.com/item/3256804036720875.html?gatewayAdapt=4itemAdapt>.\*

“Mediworks Vision . . .” reference dated Jul. 30, 2022 found by RMS on the internet at: <https://www.eyefficient.com/exam-devices/mediworks-vision-screener>.\*

\* cited by examiner

*Primary Examiner* — Rhea Shields

(57) **CLAIM**

The ornamental design for a vision screener, as shown and described.

**DESCRIPTION**

FIG. 1 is a perspective view of a vision screener showing our new design;

FIG. 2 is another perspective view thereof;

FIG. 3 is a front elevational view thereof;

FIG. 4 is a rear elevational view thereof;

FIG. 5 is a left side elevational view thereof;

FIG. 6 is a right side elevational view thereof;

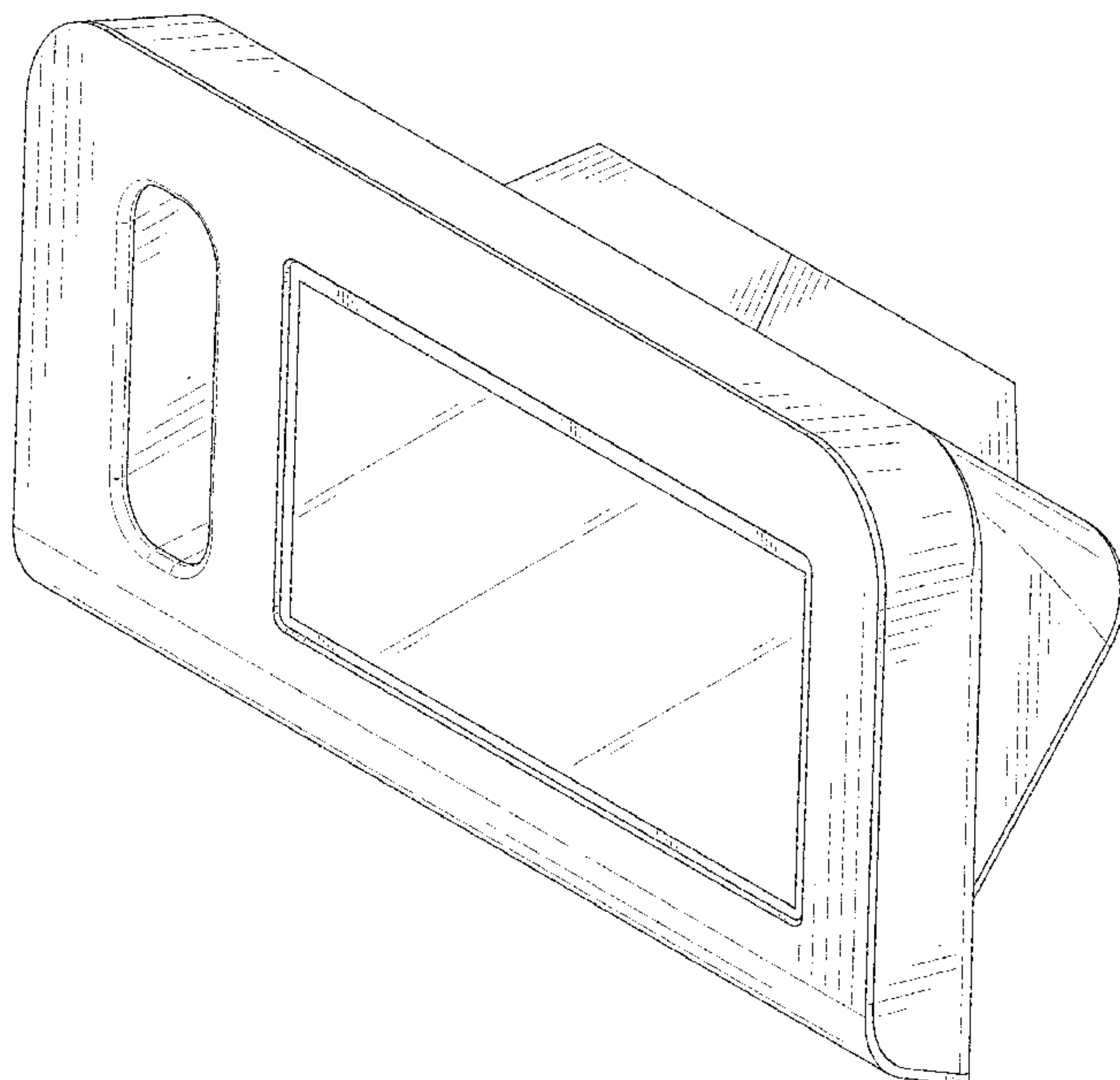
FIG. 7 is a top plan view thereof; and,

FIG. 8 is a bottom plan view thereof.

The broken lines in the drawings depict portions of the vision screener that form no part of the claimed design.

**1 Claim, 8 Drawing Sheets**

- (56) **References Cited**  
U.S. PATENT DOCUMENTS
- 2,481,582 A \* 9/1949 Ellis ..... A61B 3/032  
351/201
- 4,279,479 A \* 7/1981 Schrier ..... A61B 3/02  
351/243
- D413,979 S \* 9/1999 Cooper ..... D24/172
- D437,415 S \* 2/2001 Khalifa
- D477,084 S \* 7/2003 Menezes ..... D24/172
- D736,933 S \* 8/2015 Qiu ..... D24/170
- D738,510 S \* 9/2015 Wing ..... D24/172
- D802,134 S \* 11/2017 Geißler ..... D24/186
- D887,470 S \* 6/2020 Gelesz ..... D16/130



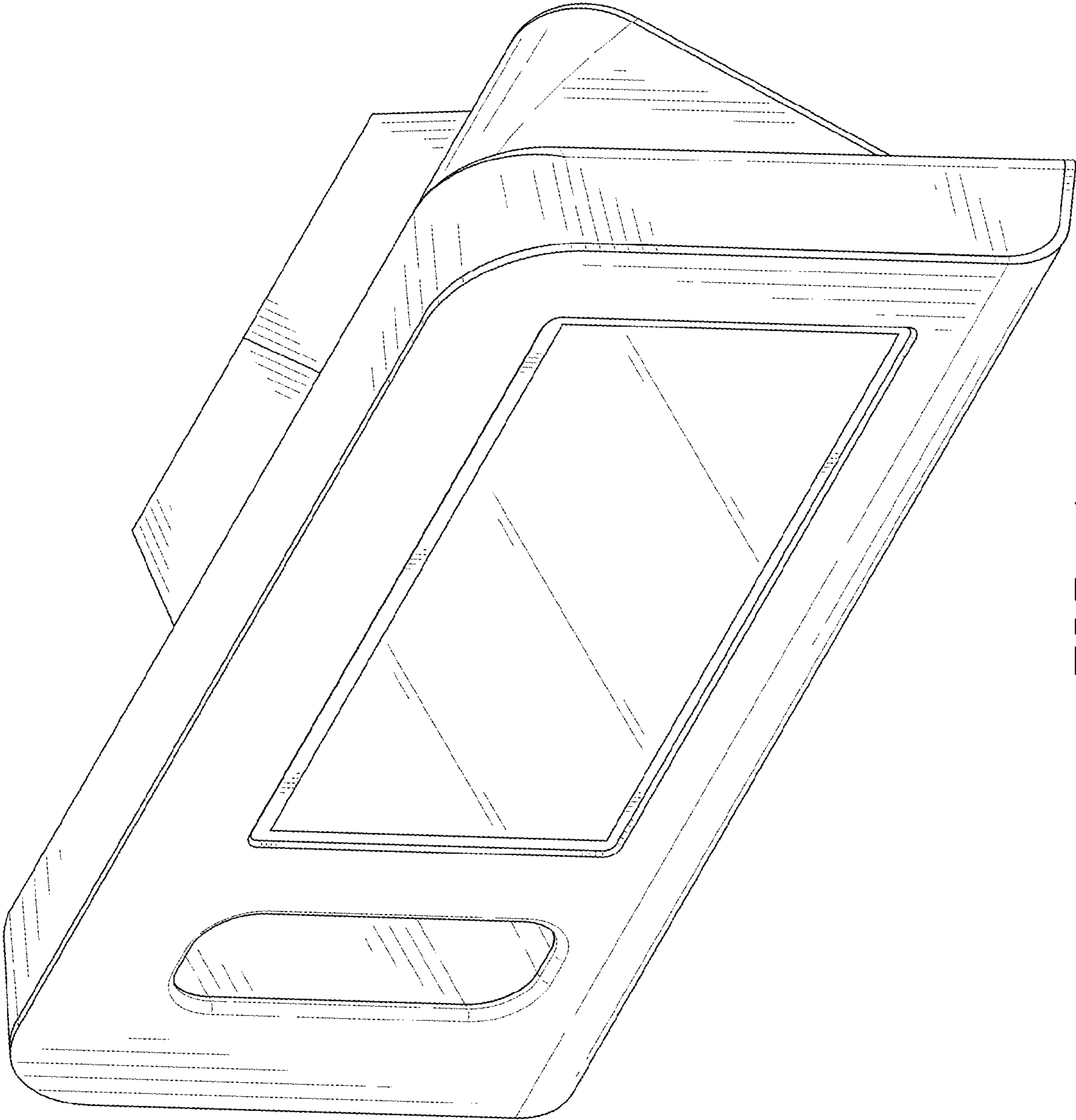


FIG. 1

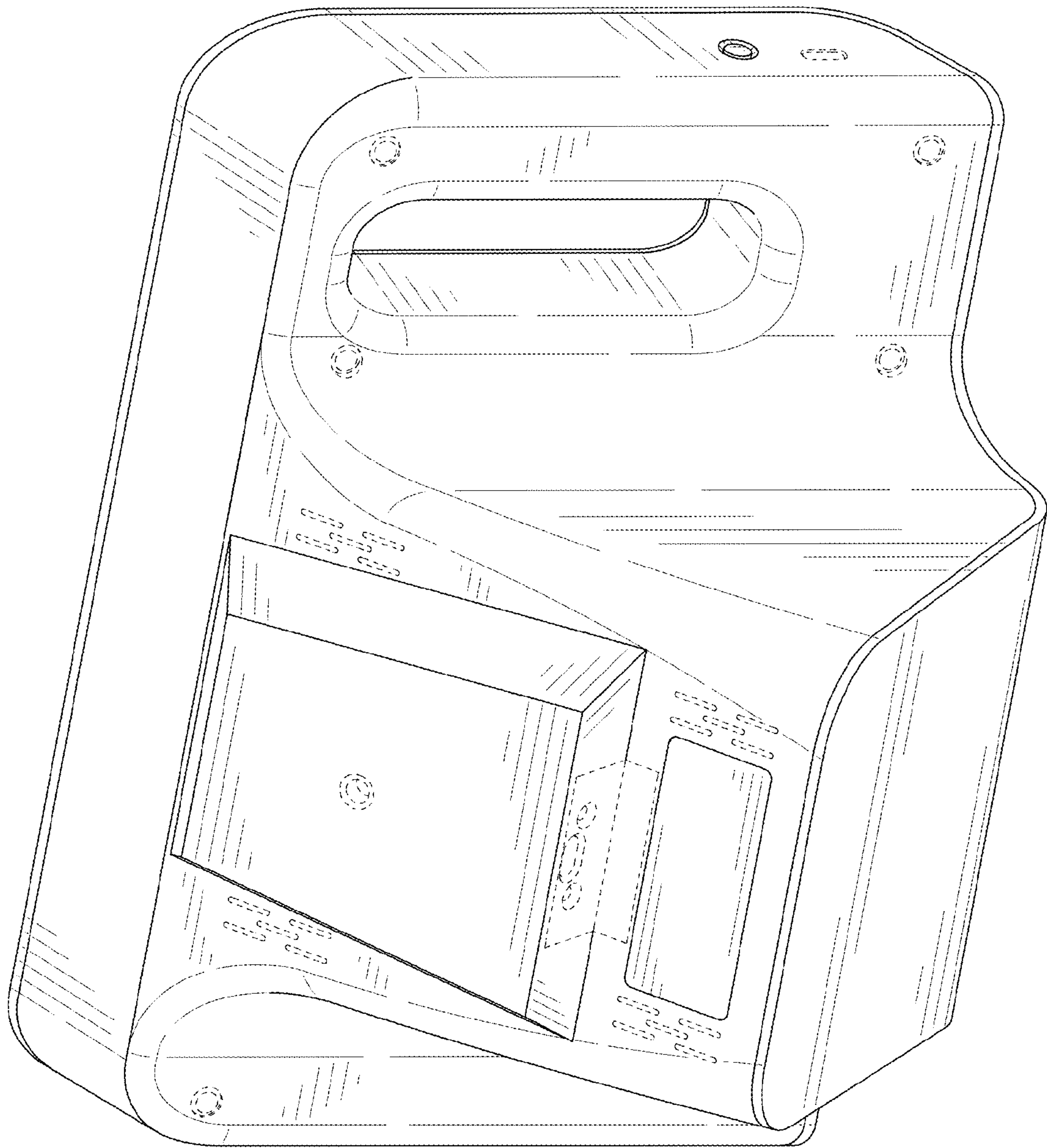


FIG. 2

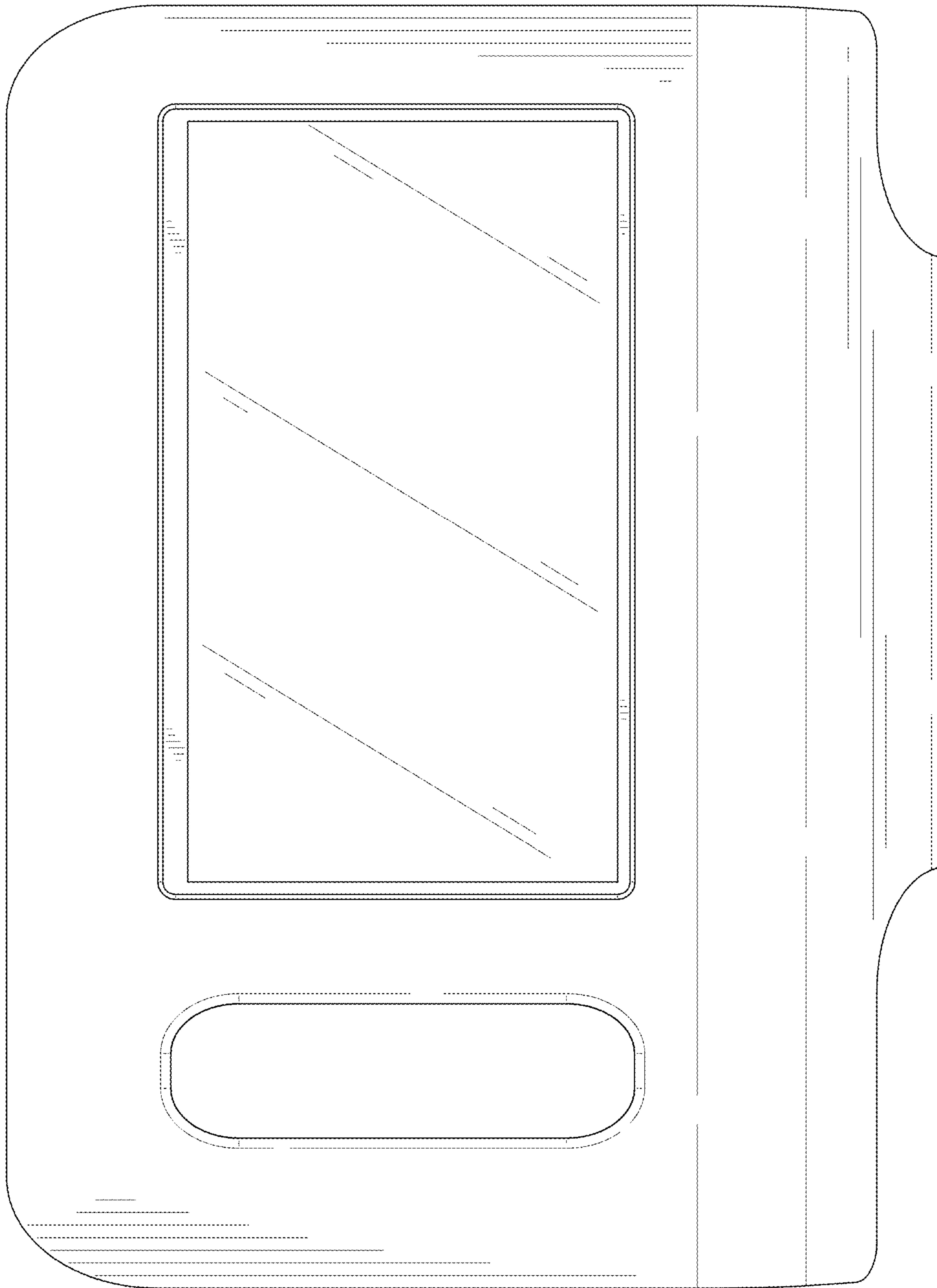


FIG. 3



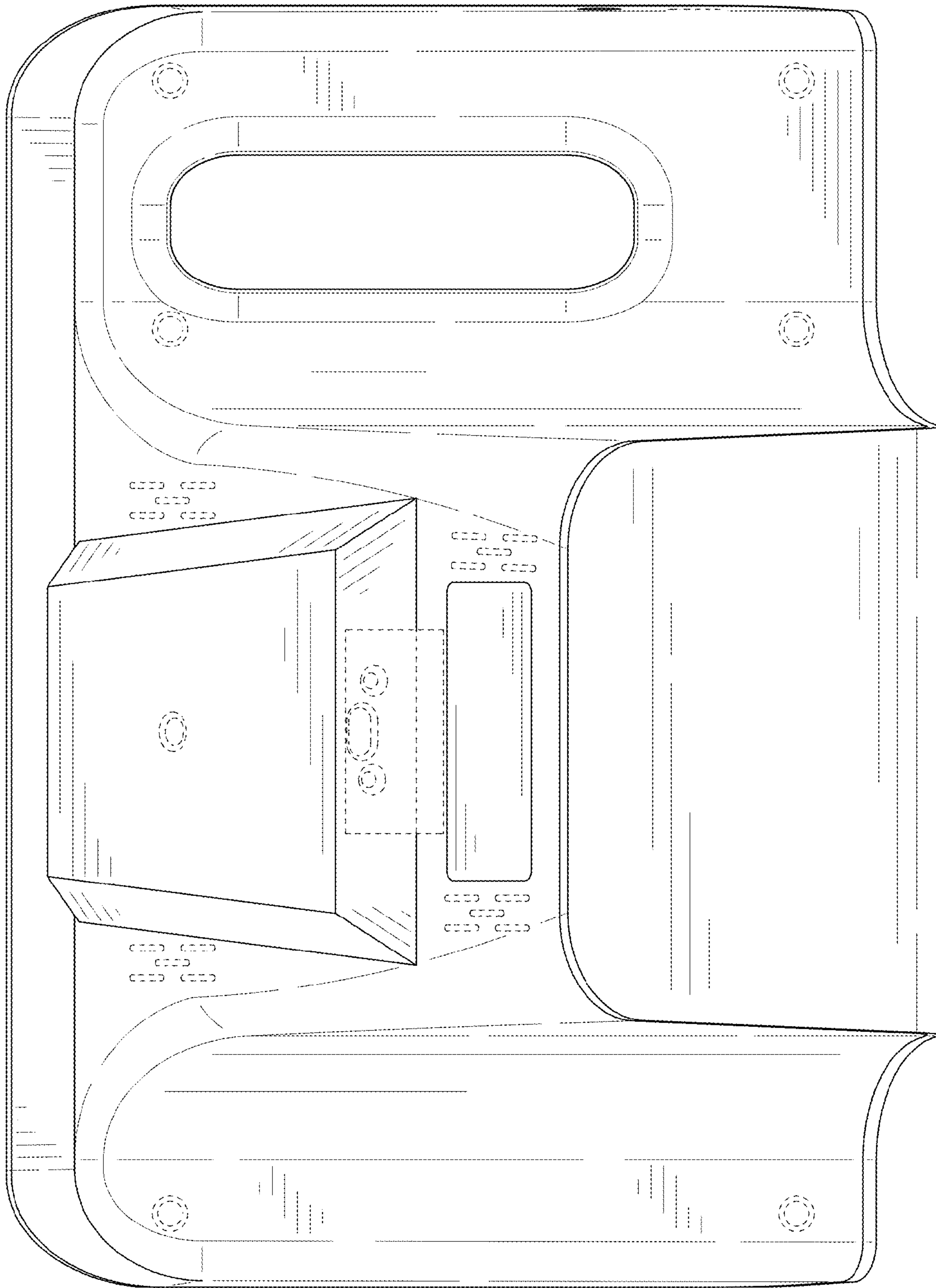


FIG. 4

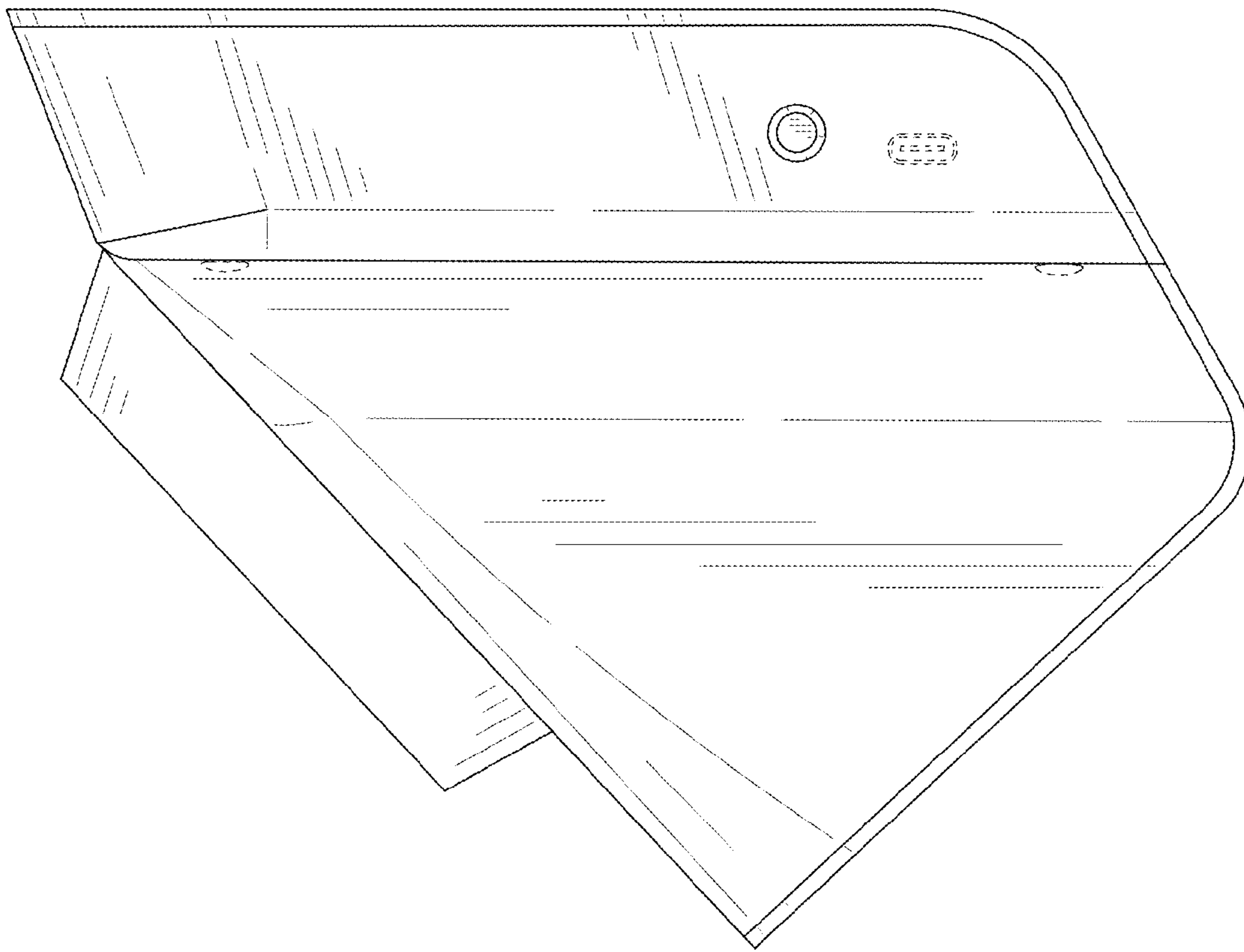


FIG. 5

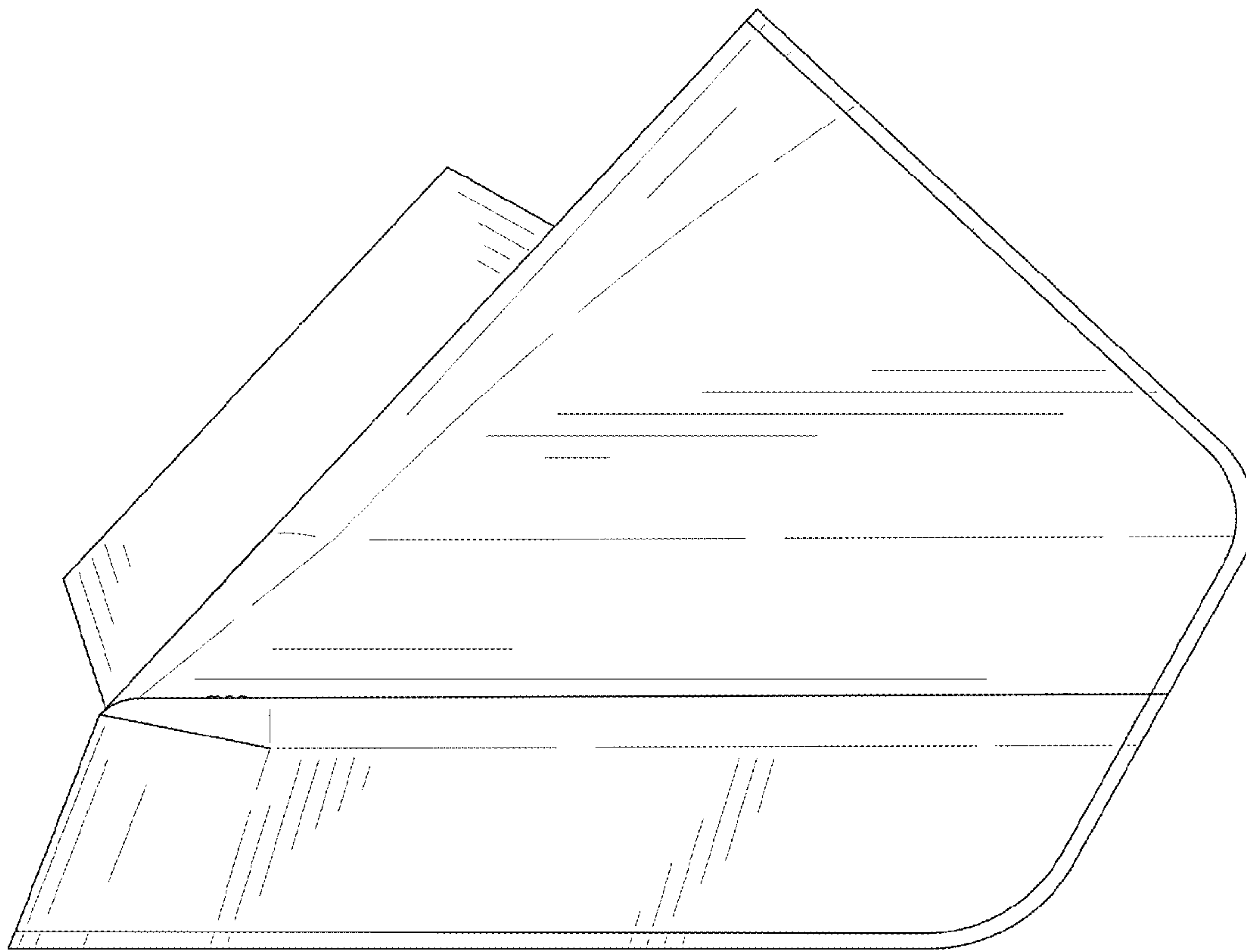


FIG. 6

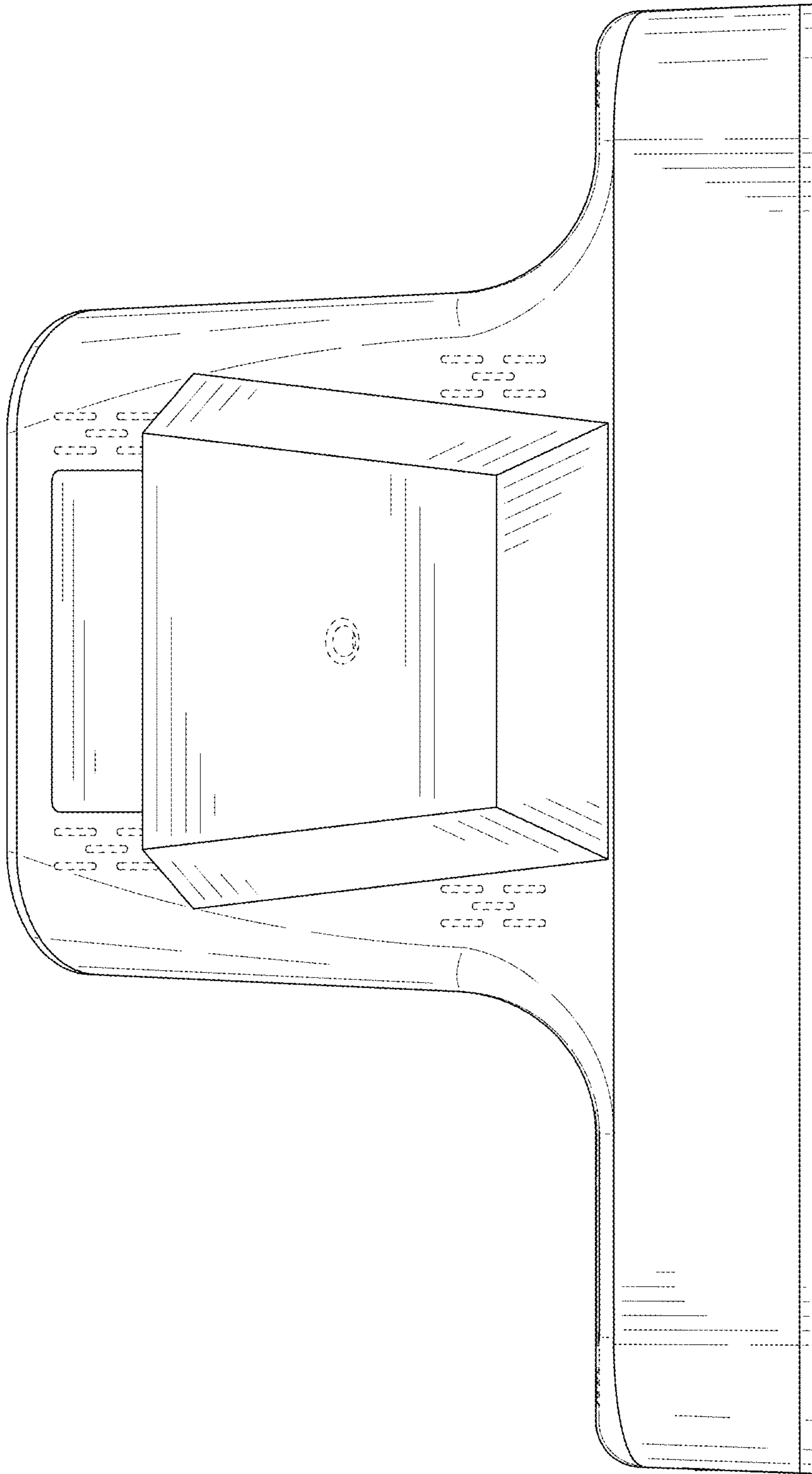


FIG. 7



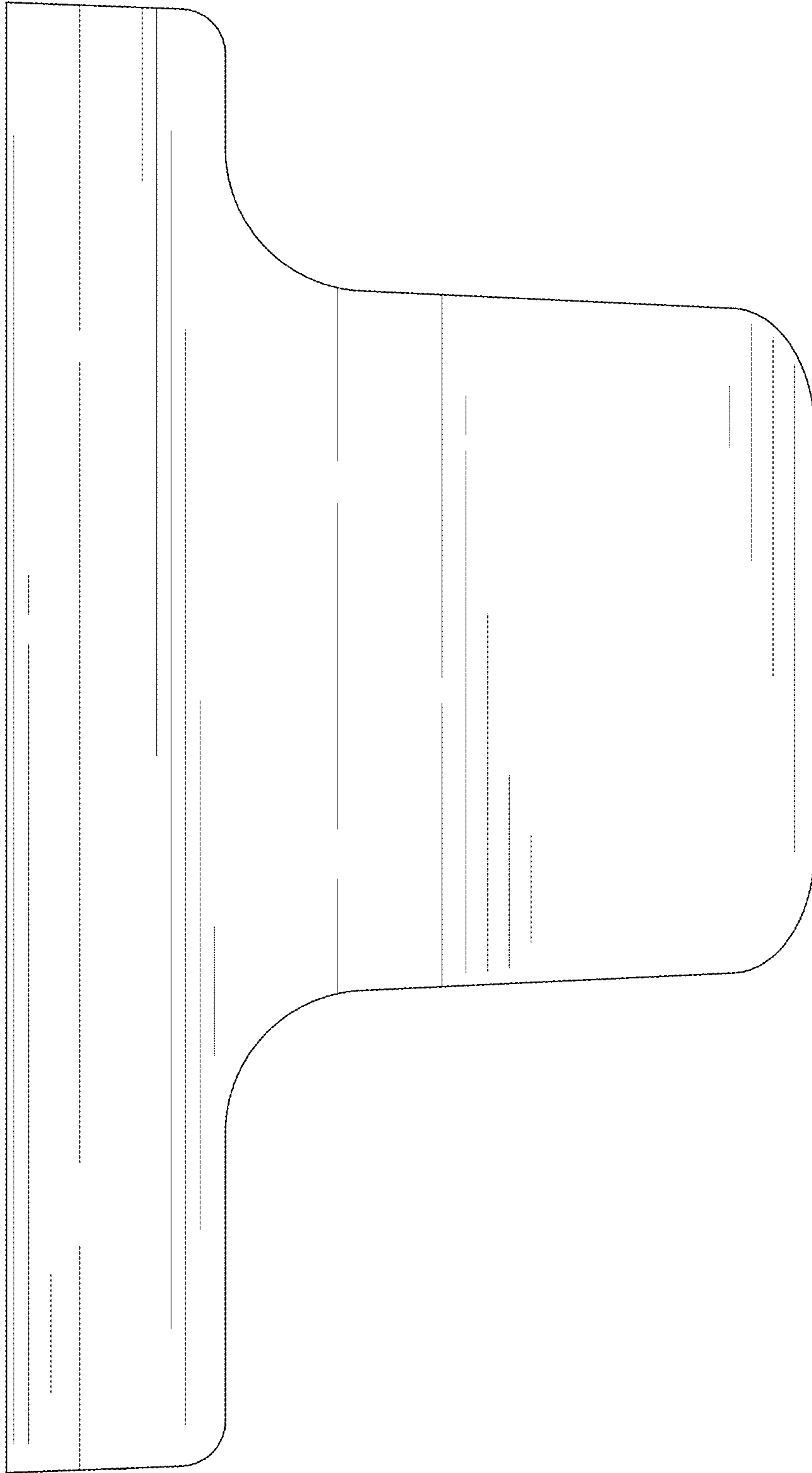


FIG. 8