



US00D965151S

(12) **United States Design Patent** (10) **Patent No.:** **US D965,151 S**
Dulude et al. (45) **Date of Patent:** **** Sep. 27, 2022**

(54) **PET IMAGING SYSTEM**
(71) Applicant: **Siemens Medical Solutions USA, Inc.**,
Malvern, PA (US)
(72) Inventors: **Michael Dulude**, Noth Barrington, IL
(US); **Ansgar Graw**, Chicago, IL (US)
(73) Assignee: **Siemens Medical Solutions USA, Inc.**,
Malvern, PA (US)

D768,299 S * 10/2016 Kim D24/158
D931,463 S * 9/2021 Achleitner D24/158
2002/0180397 A1* 12/2002 Henley A61B 6/0487
318/687
2012/0059242 A1* 3/2012 Caruba A61B 6/037
600/411
2013/0119259 A1* 5/2013 Martin A61B 6/037
250/363.03
2020/0245966 A1* 8/2020 I A61B 6/035

(**) Term: **15 Years**

(21) Appl. No.: **29/652,645**

(22) Filed: **Oct. 15, 2020**

(51) **LOC (13) Cl.** **24-01**

(52) **U.S. Cl.**
USPC **D24/158; D24/159**

(58) **Field of Classification Search**
USPC D24/107, 158-161, 185, 186, 183, 184
CPC .. A61B 6/03; A61B 6/035; A61B 5/05; A61B
5/055; A61B 6/037; A61B 6/0407; A61B
6/0487
See application file for complete search history.

(56) **References Cited**

U.S. PATENT DOCUMENTS

D527,105 S * 8/2006 Kitayama D24/158
D715,943 S * 10/2014 Zhang D24/159
D726,916 S * 4/2015 Kim D24/158
D728,105 S * 4/2015 Kim D24/158

FOREIGN PATENT DOCUMENTS

CN 201930593597.9 * 6/2020
CN 201930593597.9 8/2020

* cited by examiner

Primary Examiner — Anhdao Doan

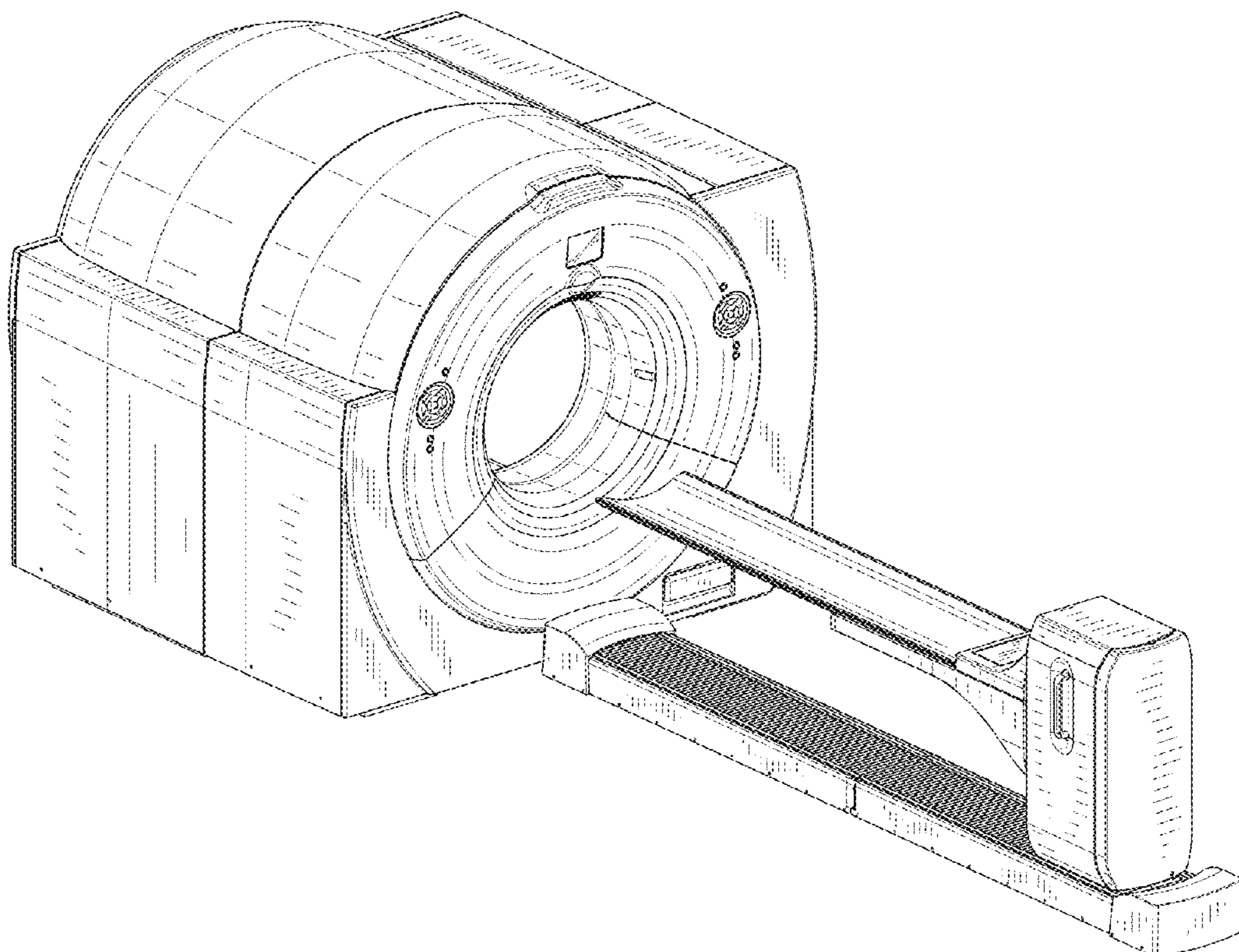
(57) **CLAIM**

The ornamental design for a pet imaging system, as shown and described.

DESCRIPTION

FIG. 1 is a perspective view of the pet imaging system.
FIG. 2 is a first side view of the pet imaging system.
FIG. 3 is a second side view of the pet imaging system.
FIG. 4 is a top view of the pet imaging system.
FIG. 5 is a bottom view of the pet imaging system.
FIG. 6 is a front view of the pet imaging system; and,
FIG. 7 is a back view of the pet imaging system.
The broken lines illustrate portions of the pet imaging system that form no part of the claimed design.

1 Claim, 6 Drawing Sheets



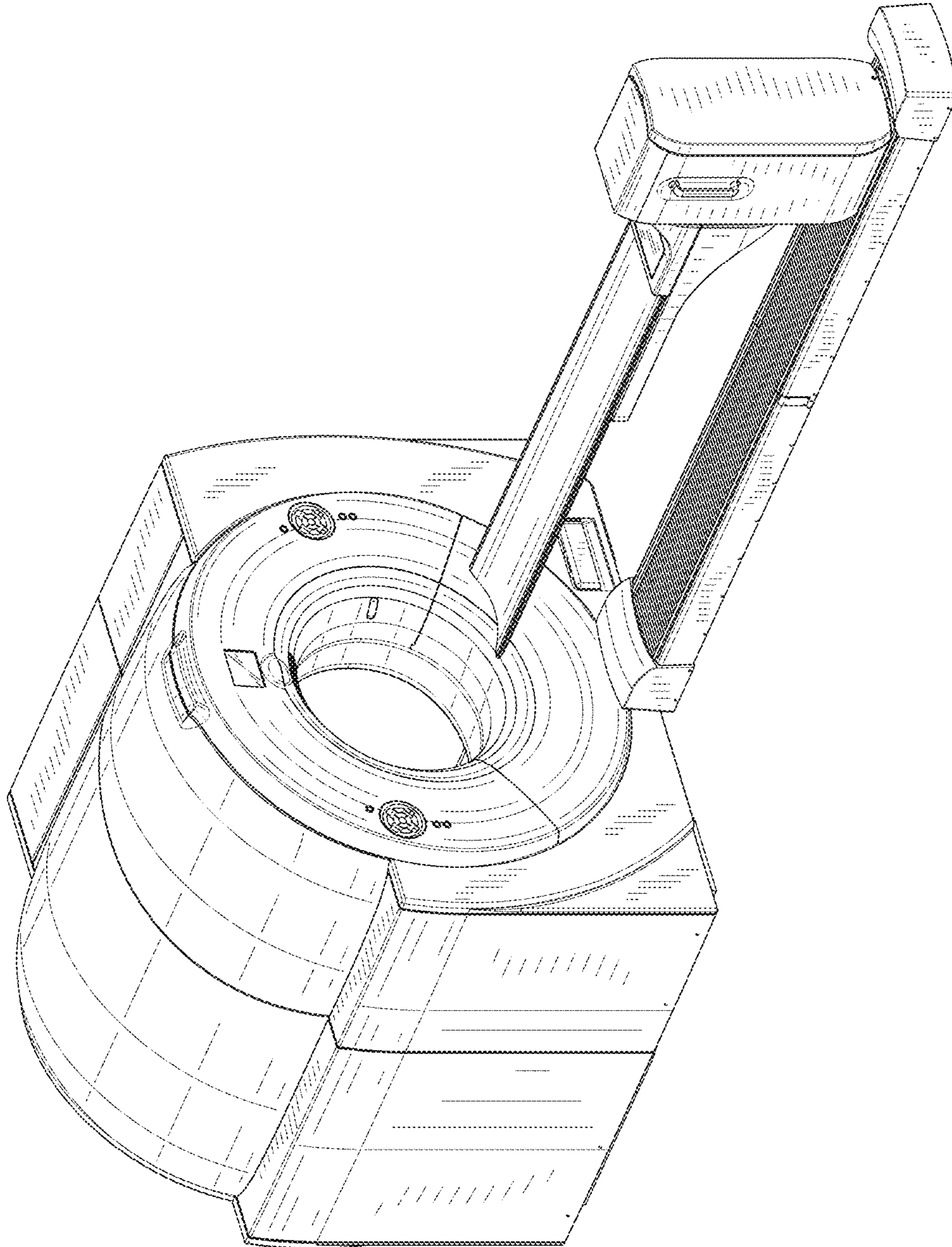


FIG. 1

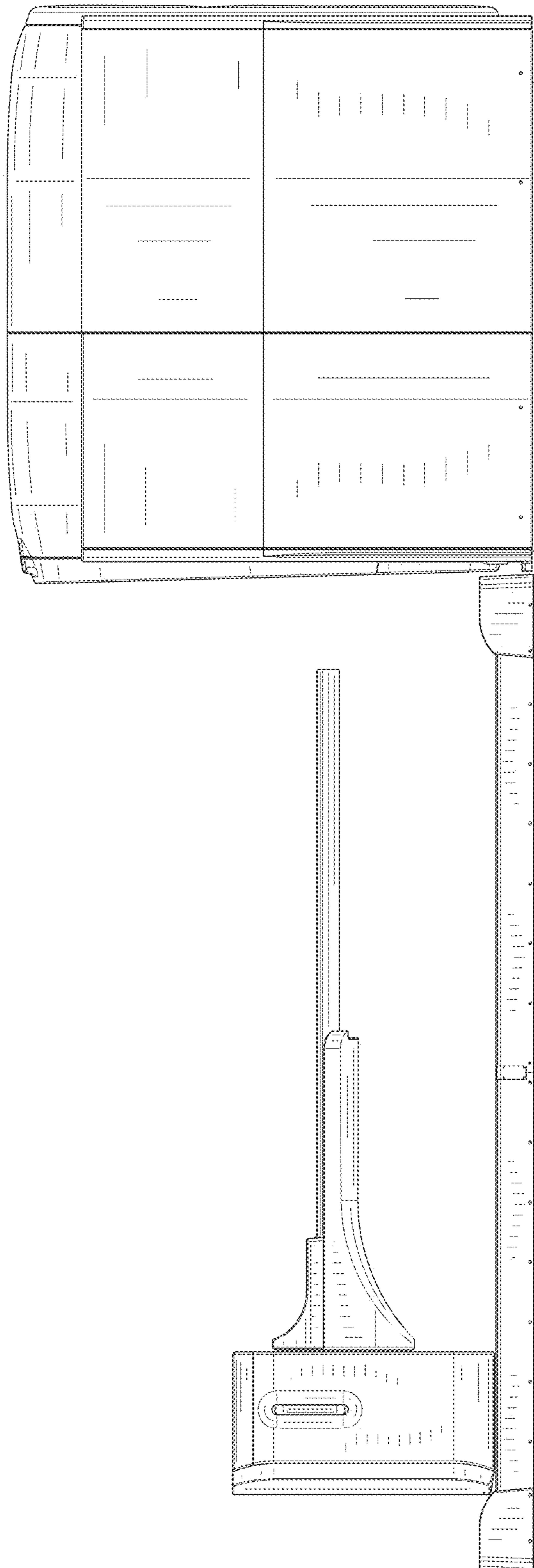


FIG. 2

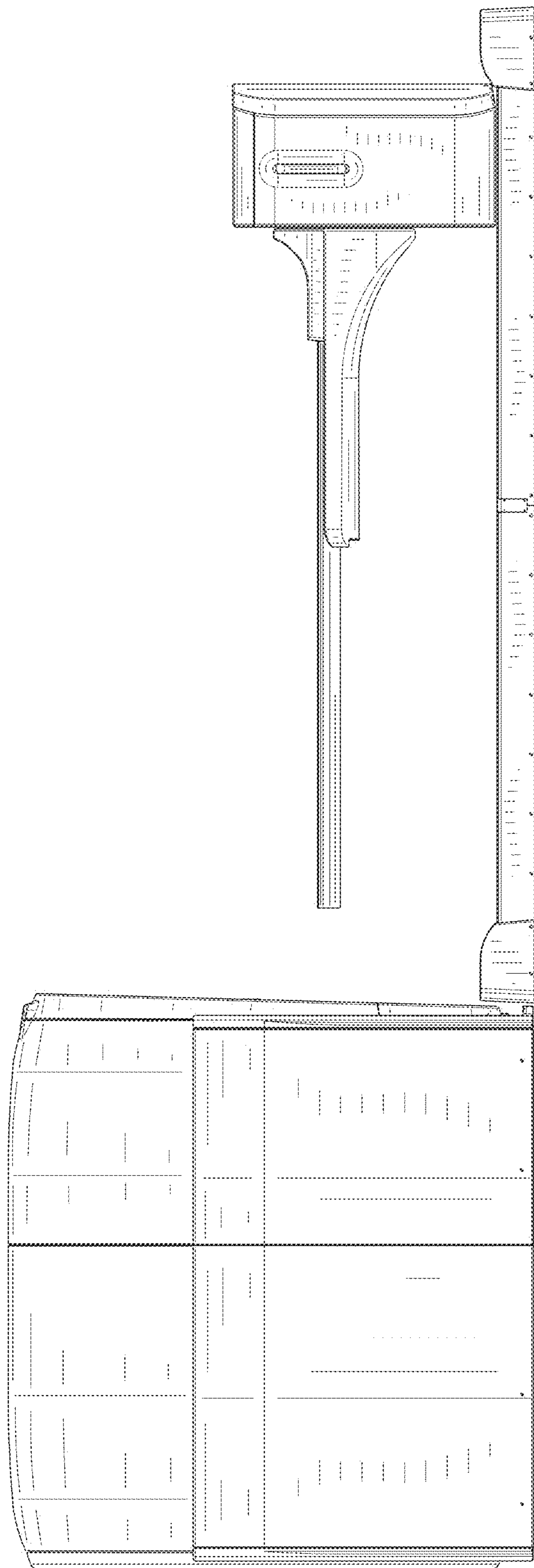


FIG. 3

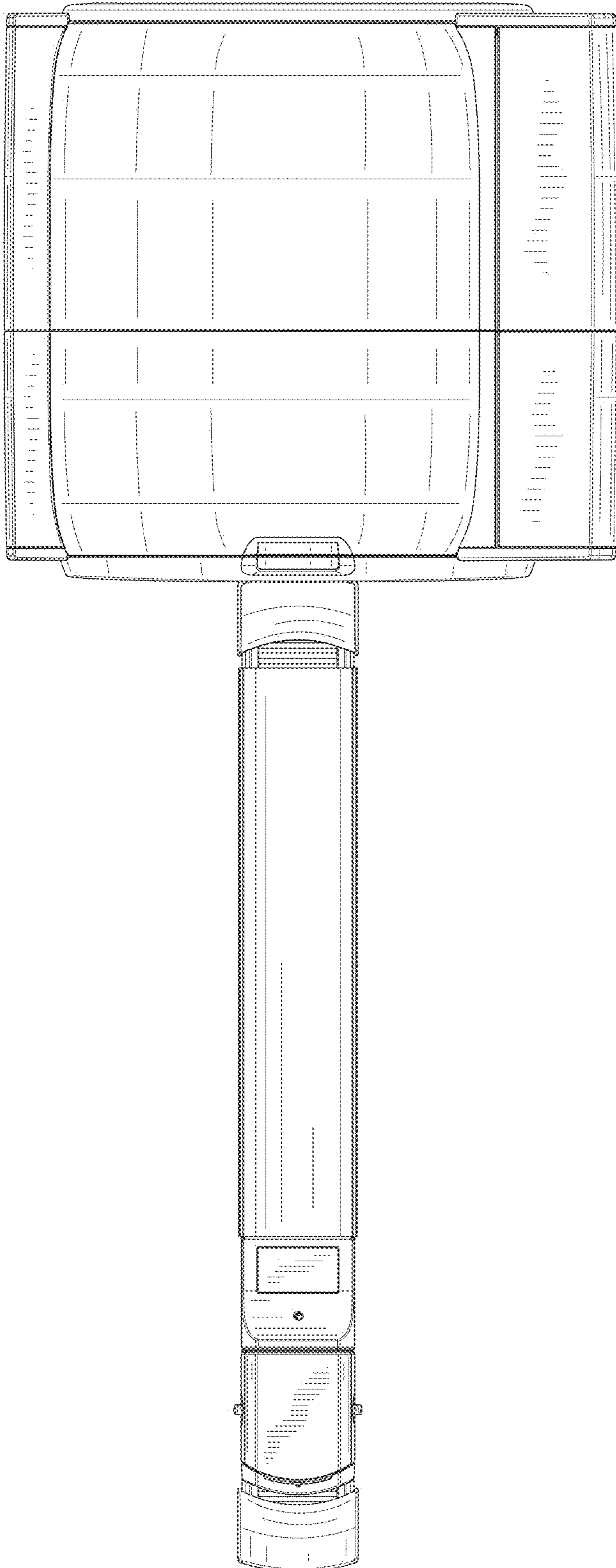


FIG. 4

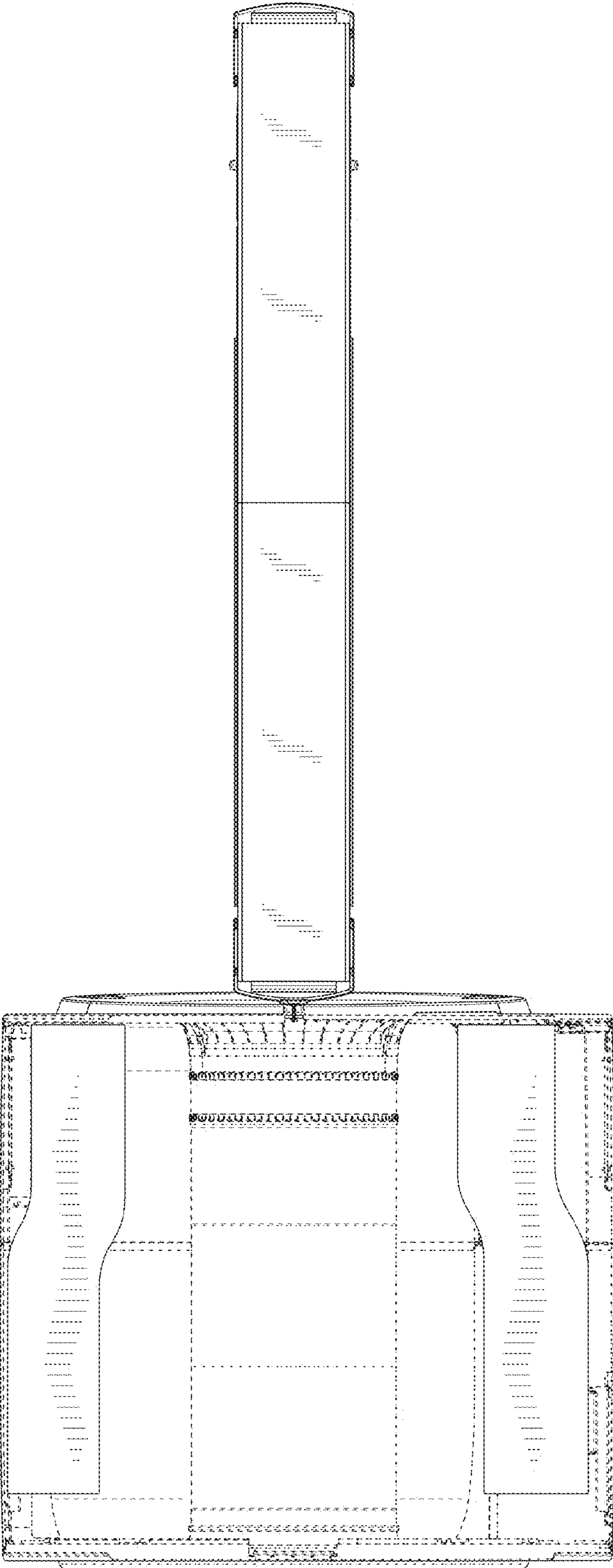


FIG. 5

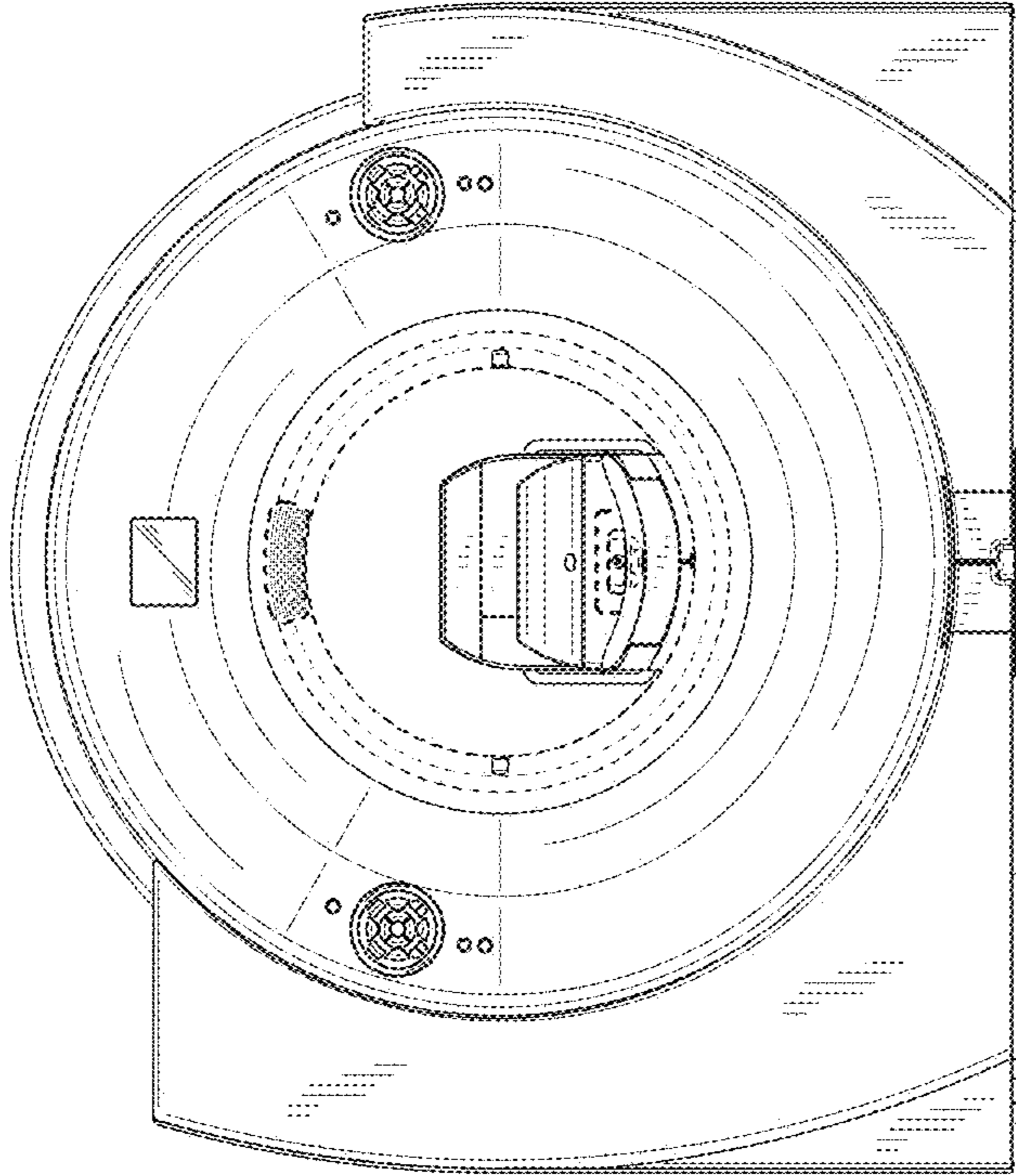


FIG. 7

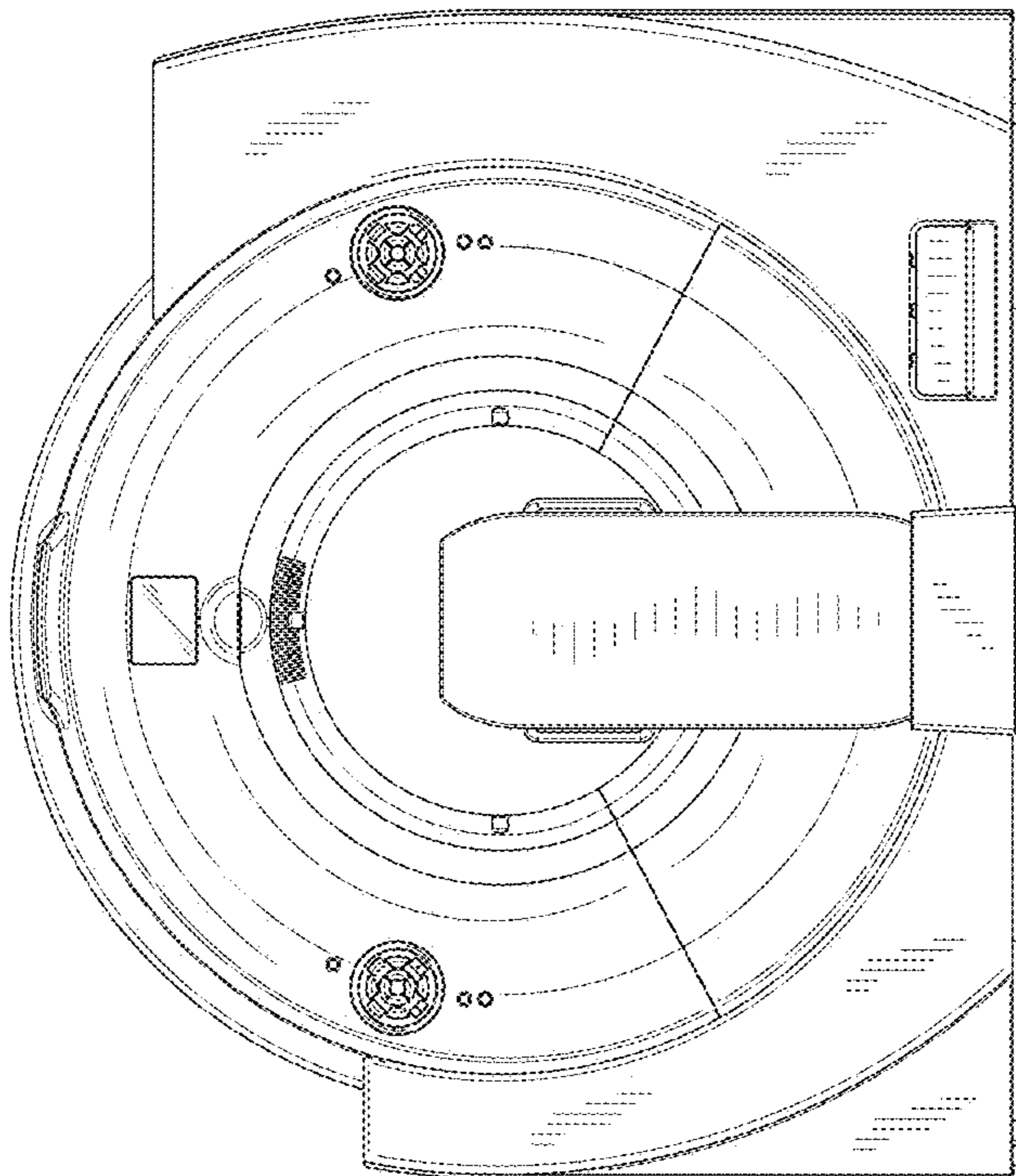


FIG. 6