



US00D965149S

(12) **United States Design Patent** (10) **Patent No.:** **US D965,149 S**  
**Kaspo** (45) **Date of Patent:** **\*\* Sep. 27, 2022**

- (54) **DENTAL IMPLEMENT**
- (71) Applicant: **CinZara, LLC**, Troy, MI (US)
- (72) Inventor: **Ghabi Kaspo**, Troy, MI (US)
- (73) Assignee: **CinZara, LLC**, Troy, MI (US)
- (\*\*) Term: **15 Years**
- (21) Appl. No.: **29/766,856**
- (22) Filed: **Jan. 19, 2021**

|                |         |                         |                       |
|----------------|---------|-------------------------|-----------------------|
| 5,941,706 A    | 8/1999  | Ura                     |                       |
| 6,106,292 A    | 8/2000  | Hollander et al.        |                       |
| 6,319,005 B1   | 11/2001 | Hollander et al.        |                       |
| 6,364,662 B1   | 4/2002  | Kumar                   |                       |
| D460,331 S *   | 7/2002  | Mangione .....          | D8/51                 |
| 6,419,490 B1   | 7/2002  | Kitchings Weathers, Jr. |                       |
| 6,517,581 B2   | 2/2003  | Blamey                  |                       |
| 6,641,395 B2   | 11/2003 | Kumar et al.            |                       |
| 7,211,061 B1 * | 5/2007  | Maxwell .....           | A61M 31/00<br>D24/119 |
| 7,695,279 B2   | 4/2010  | Hirsch et al.           |                       |
| 8,899,984 B2   | 12/2014 | Llop et al.             |                       |

(Continued)

**OTHER PUBLICATIONS**

U.S. Appl. No. 16/776,746, filed Jan. 30, 2020.  
(Continued)

*Primary Examiner* — Samantha Q Lawrence  
(74) *Attorney, Agent, or Firm* — Young Basile Hanlon & MacFarlane, P.C.

- Related U.S. Application Data**
- (63) Continuation-in-part of application No. 16/776,746, filed on Jan. 30, 2020.
  - (51) **LOC (13) Cl.** ..... **24-02**
  - (52) **U.S. Cl.**  
USPC ..... **D24/147**
  - (58) **Field of Classification Search**  
USPC ..... D24/100, 105, 107, 108, 110, 111, 112, D24/113, 114, 115, 116, 117, 118, 119, D24/140, 141, 144, 146, 147, 223, 224, D24/228; D28/7  
CPC ..... A61F 11/006; A61F 13/38; A61F 13/15; A61F 13/64; A61F 13/467; A61F 13/5611; A61F 13/4704; A61F 13/5616; A61F 13/4758; A61F 13/472; A61B 2017/246; A61B 17/1615; A61B 17/1697; A61B 2018/0231; A61M 2210/0662  
See application file for complete search history.

(57) **CLAIM**

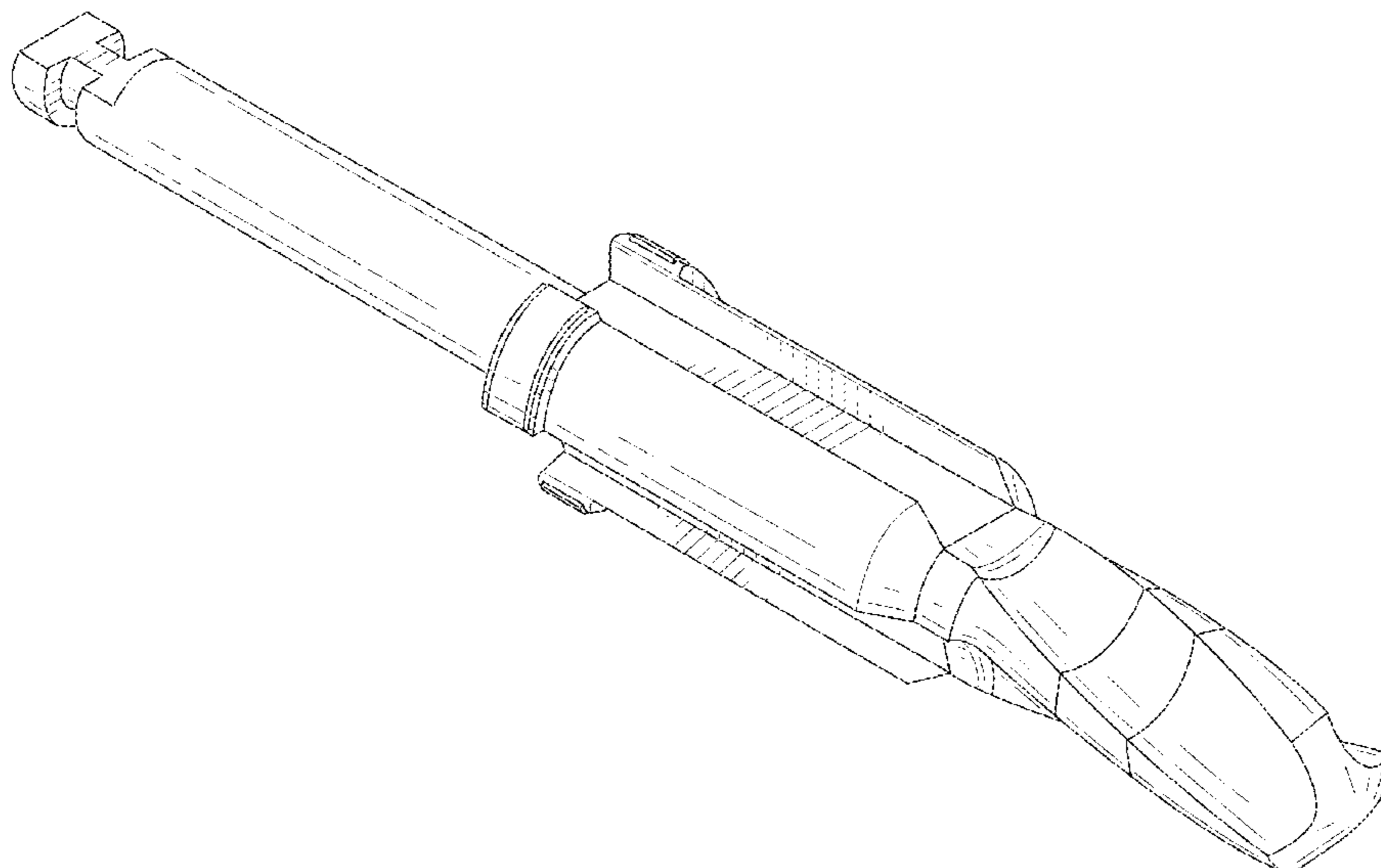
The ornamental design for a dental implement, as shown and described.

**DESCRIPTION**

FIG. 1 is a bottom, front, left perspective view of a dental implement of my new design.  
FIG. 2 is a left view thereof.  
FIG. 3 is a right view thereof.  
FIG. 4 is a front view thereof.  
FIG. 5 is a rear view thereof.  
FIG. 6 is a bottom view thereof.  
FIG. 7 is a top view thereof; and,  
FIG. 8 is a cross-sectional view thereof taken along line 8-8 in FIG. 2.  
The broken lines illustrate portions of the dental implement that form no part of the claimed design.

**1 Claim, 4 Drawing Sheets**

- (56) **References Cited**  
U.S. PATENT DOCUMENTS
- |             |         |                |
|-------------|---------|----------------|
| 4,820,156 A | 4/1989  | Ross           |
| 5,087,201 A | 2/1992  | Mondani et al. |
| 5,098,293 A | 3/1992  | Loof et al.    |
| 5,261,818 A | 11/1993 | Shaw           |
| 5,569,035 A | 10/1996 | Balfour et al. |
| 5,791,902 A | 8/1998  | Lauks          |



(56)

**References Cited**

U.S. PATENT DOCUMENTS

D742,506 S \* 11/2015 Burke ..... D24/119  
D768,292 S \* 10/2016 Maher ..... D24/119  
D815,734 S \* 4/2018 Burke ..... D24/119  
D872,299 S \* 1/2020 Trump ..... D24/224  
D898,911 S \* 10/2020 Beer ..... D24/141  
D901,684 S \* 11/2020 Angert ..... D24/141  
D901,685 S \* 11/2020 Wang ..... D24/146  
D902,402 S \* 11/2020 Wang ..... D24/144  
D940,304 S \* 1/2022 Thau ..... D24/119  
2010/0173259 A1 7/2010 Vogel et al.  
2014/0220508 A1 8/2014 Scalise et al.  
2018/0369553 A1\* 12/2018 Siciliano ..... A61M 37/0076  
2021/0015496 A1 1/2021 Lee  
2021/0236237 A1\* 8/2021 Kaspo ..... A61C 8/0089

OTHER PUBLICATIONS

International Search Report in corresponding International Patent  
Application PCT/US2021/015003, dated Apr. 15, 2021, 8 pgs.

\* cited by examiner

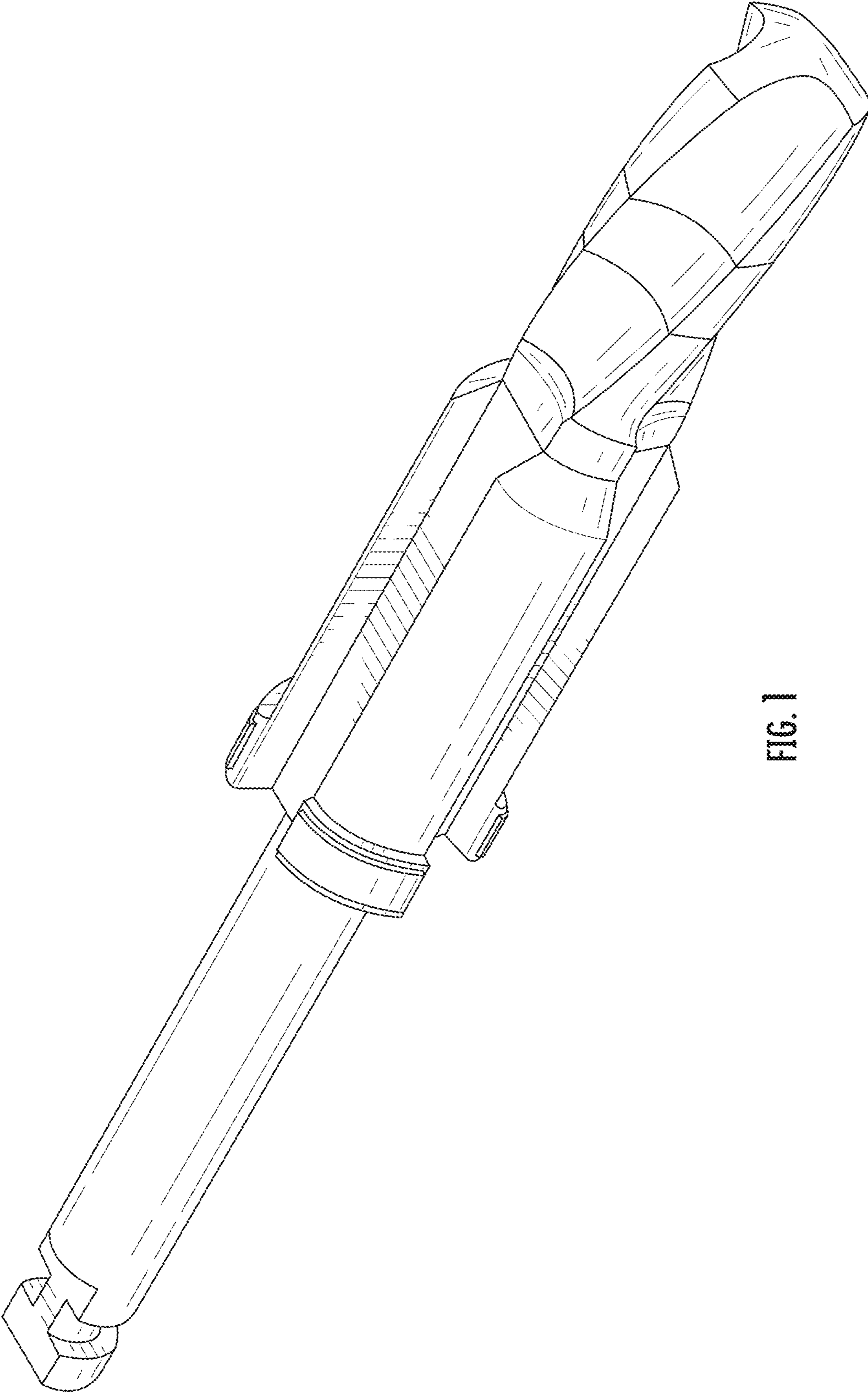


FIG. 1

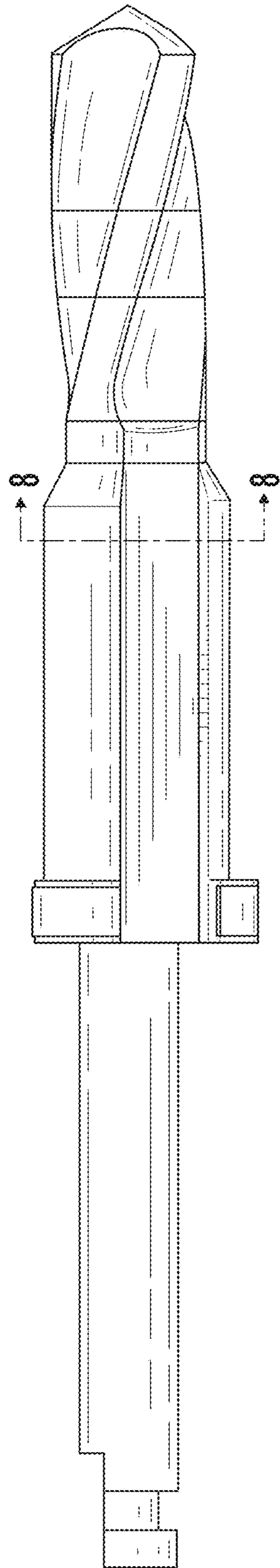


FIG. 2

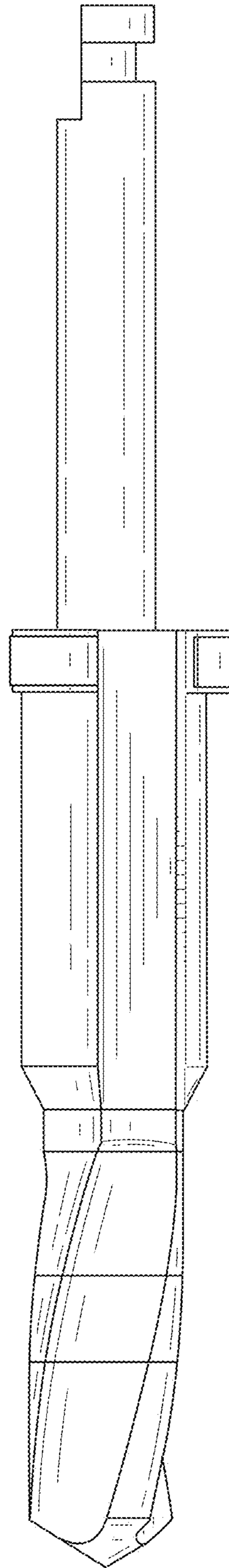


FIG. 3

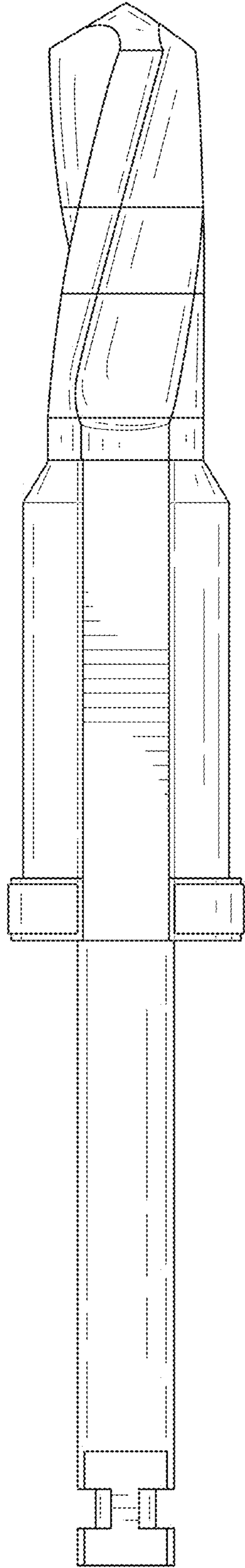


FIG. 4

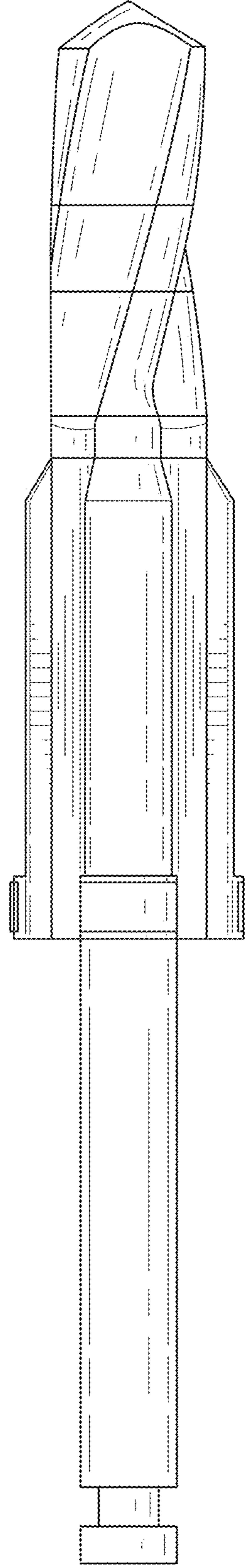


FIG. 5

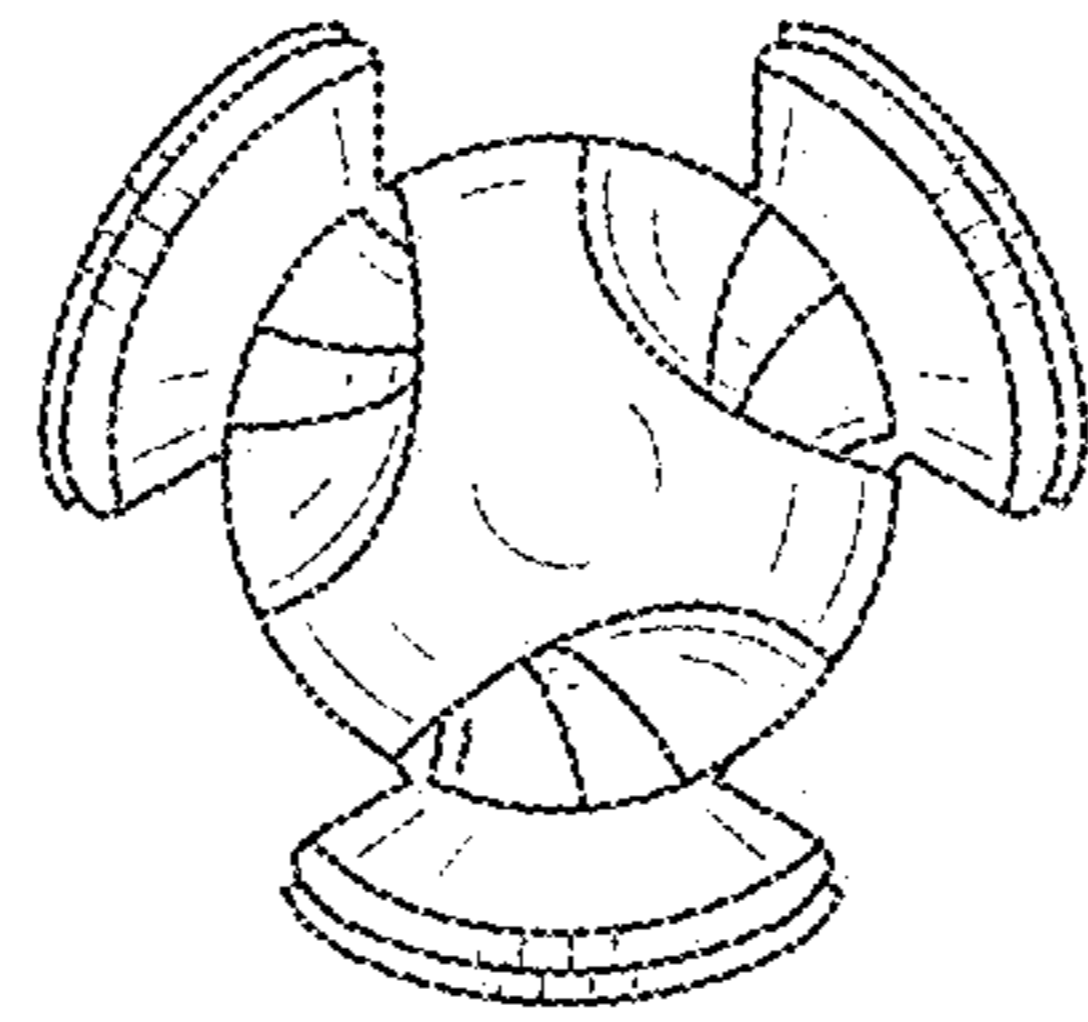


FIG. 6

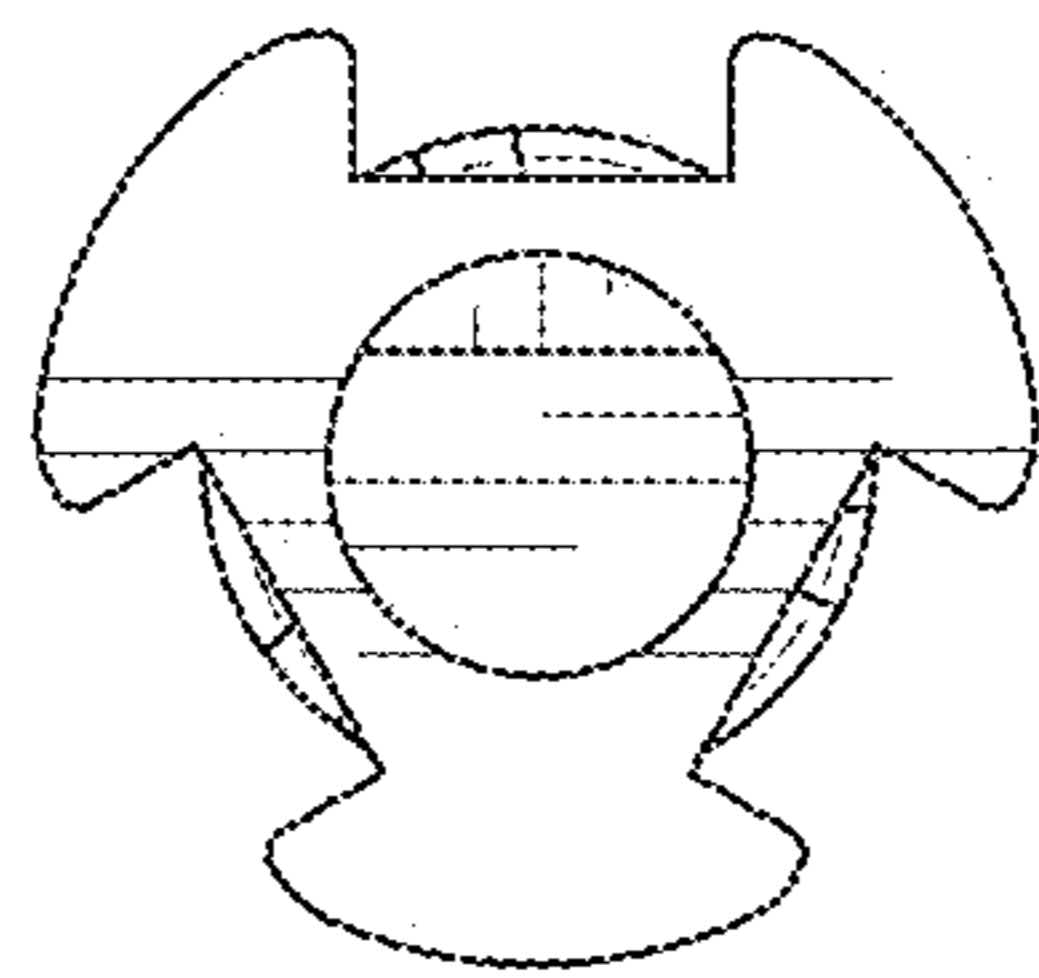


FIG. 7

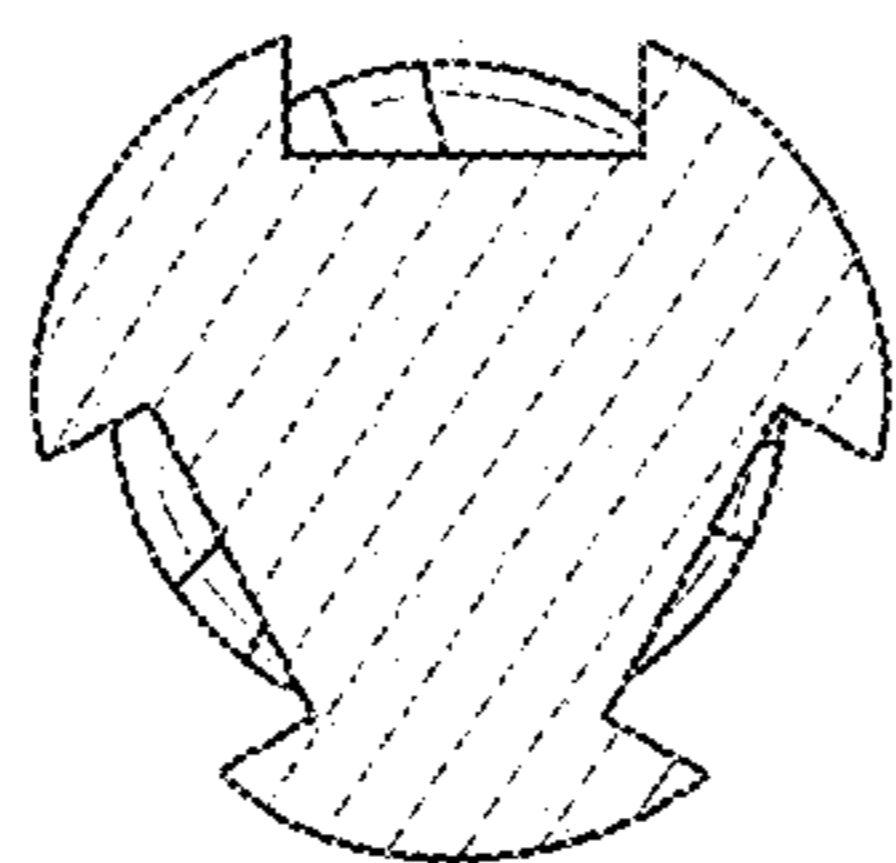


FIG. 8