



US00D965148S

(12) **United States Design Patent** (10) **Patent No.:** **US D965,148 S**  
**Jin** (45) **Date of Patent:** **\*\* Sep. 27, 2022**

(54) **HYDRA NEEDLE**

FOREIGN PATENT DOCUMENTS

(71) Applicant: **Shenzhen DJ Innovation Industry Co., Ltd**, Shenzhen (CN)

KR 3020200001670 \* 11/2020

(72) Inventor: **Bo Jin**, Shenzhen (CN)

OTHER PUBLICATIONS

(\*\*) Term: **15 Years**

Hydra 20 Micro Needle Titanium Applicator Bottle Anti-aging Skin Care Reusable, BONAS, Amazon, [Post date: Nov. 10, 2017], [Site seen May 11, 2022], Seen at URL: [https://www.amazon.com/Needle-Titanium-Applicator-Anti-aging-Reusable/dp/B077BGK5P7/ref=sr\\_1\\_6?crd=2YY238DZRSNPH&keywords=hydra+n%E2%80%A6](https://www.amazon.com/Needle-Titanium-Applicator-Anti-aging-Reusable/dp/B077BGK5P7/ref=sr_1_6?crd=2YY238DZRSNPH&keywords=hydra+n%E2%80%A6) (Year: 2017).\*

(21) Appl. No.: **29/766,986**

(22) Filed: **Jan. 20, 2021**

(51) **LOC (13) Cl.** ..... **24-02**

(52) **U.S. Cl.**

USPC ..... **D24/144**; D24/113

(58) **Field of Classification Search**

USPC ..... D24/112–114, 133, 186, 127–131, 144

CPC ..... A61M 5/3156; A61M 5/31591; A61M

5/3155; A61M 5/3157; A61M 5/24;

A61M 5/31501; A61M 5/31551; A61M

5/31585

See application file for complete search history.

\* cited by examiner

*Primary Examiner* — Natasha Vujcic

*Assistant Examiner* — Gilbert B Ford

(57) **CLAIM**

The ornamental design for a hydra needle, as shown and described.

(56) **References Cited**

**DESCRIPTION**

U.S. PATENT DOCUMENTS

D461,891 S \* 8/2002 Moberg ..... D24/111

D601,257 S \* 9/2009 Berlinger ..... D24/186

D695,392 S \* 12/2013 Tani ..... D24/113

D695,394 S \* 12/2013 Takemoto ..... D24/113

8,777,040 B2 \* 7/2014 Wahl ..... B65D 43/16

220/259.3

D794,776 S \* 8/2017 Tyce ..... D24/113

10,010,483 B2 \* 7/2018 Davidian ..... A61M 5/1782

D882,760 S \* 4/2020 Katz ..... D24/111

D882,761 S \* 4/2020 Cabiri ..... A61M 5/14248

D24/111

10,918,792 B2 \* 2/2021 McLoughlin ..... A61M 5/2033

D921,191 S \* 6/2021 Tani ..... D24/113

D930,153 S \* 9/2021 Moriwake ..... D24/113

D948,741 S \* 4/2022 Jin ..... D24/215

D951,434 S \* 5/2022 Boyaval ..... D24/111

2015/0297833 A1 \* 10/2015 Henderson ..... A61M 5/3245

604/135

2016/0022914 A1 \* 1/2016 Mounce ..... A61M 5/3202

604/189

FIG. 1 is a first perspective view of a hydra needle showing my new design;

FIG. 2 is a second perspective view thereof;

FIG. 3 is a front view thereof;

FIG. 4 is a back view thereof;

FIG. 5 is a left side view thereof;

FIG. 6 is a right side view thereof;

FIG. 7 is a top view thereof;

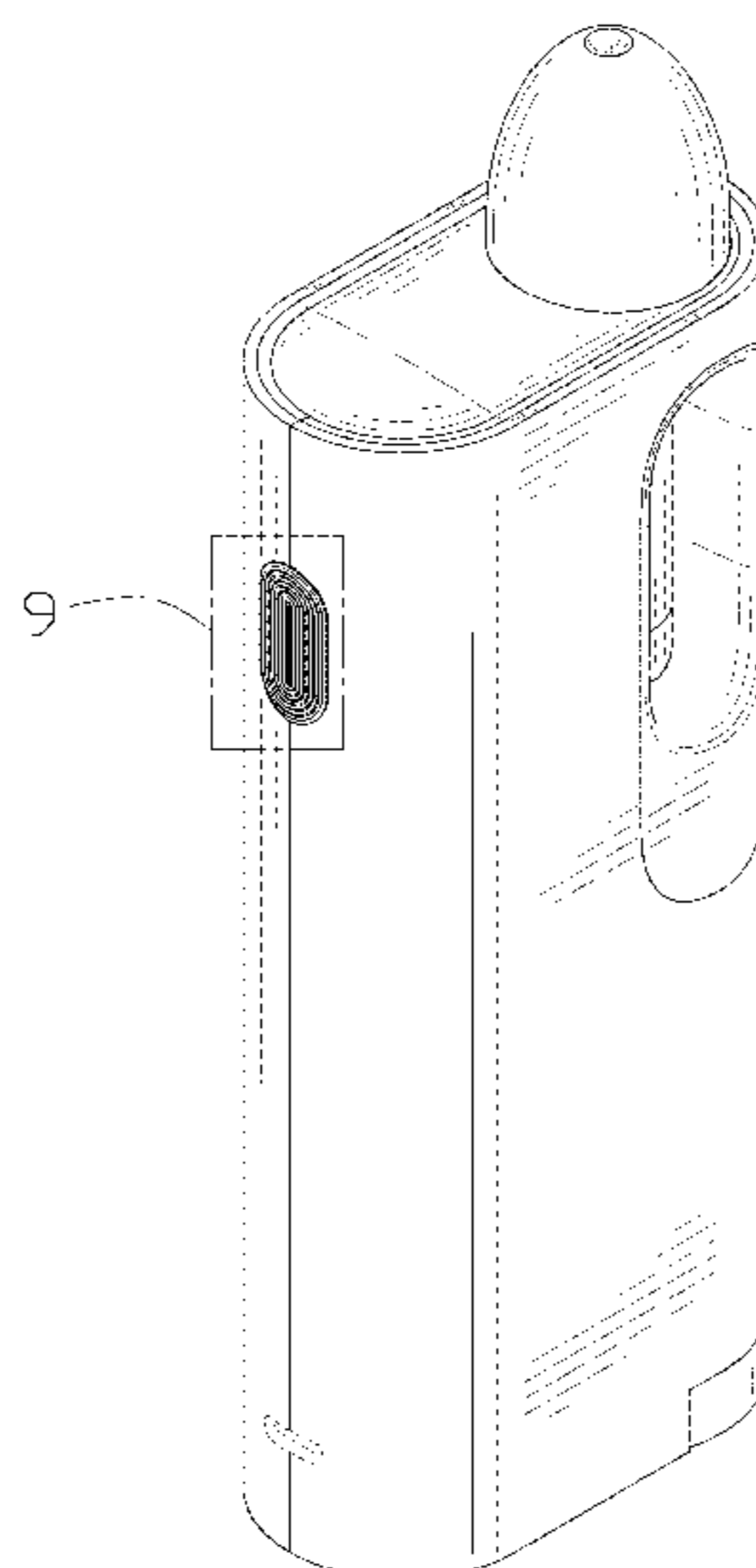
FIG. 8 is a bottom view thereof;

FIG. 9 is an enlarged view of the selected portion in FIG. 1; and,

FIG. 10 is an enlarged view of the selected portion in FIG. 3.

The broken lines shown in the drawings depict portions of the hydra needle in which the design is embodied that form no part of the claimed design.

**1 Claim, 10 Drawing Sheets**



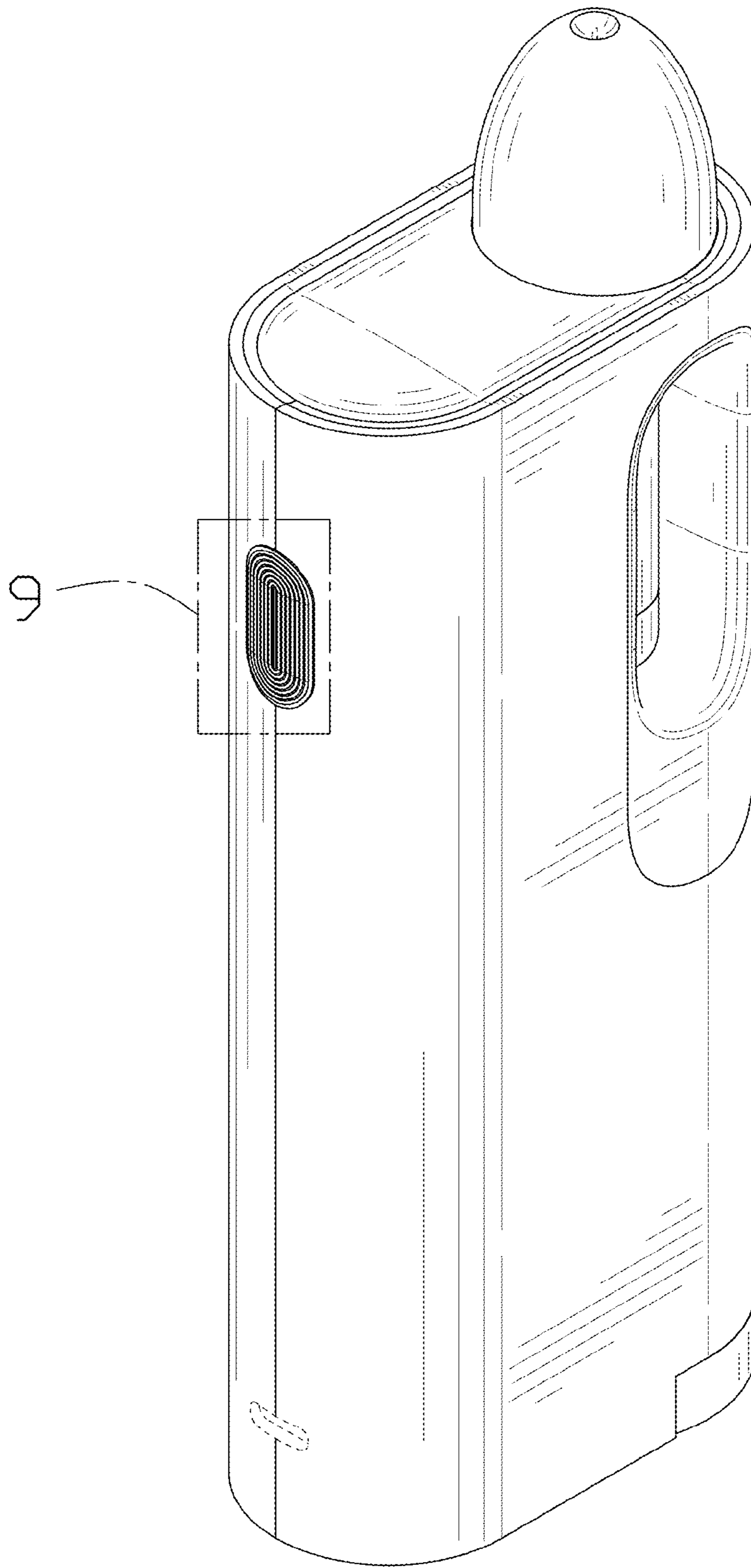


FIG. 1

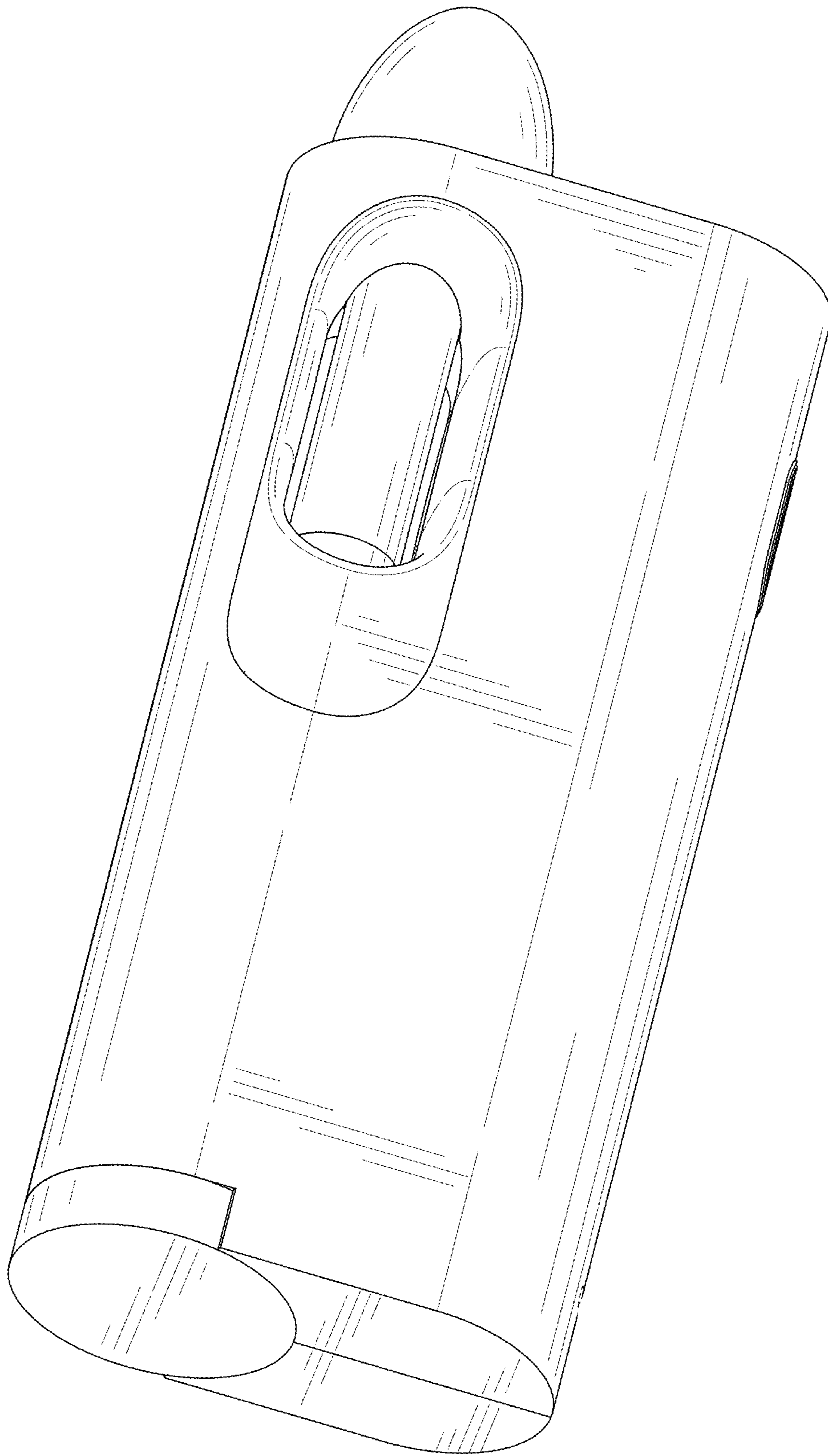


FIG. 2

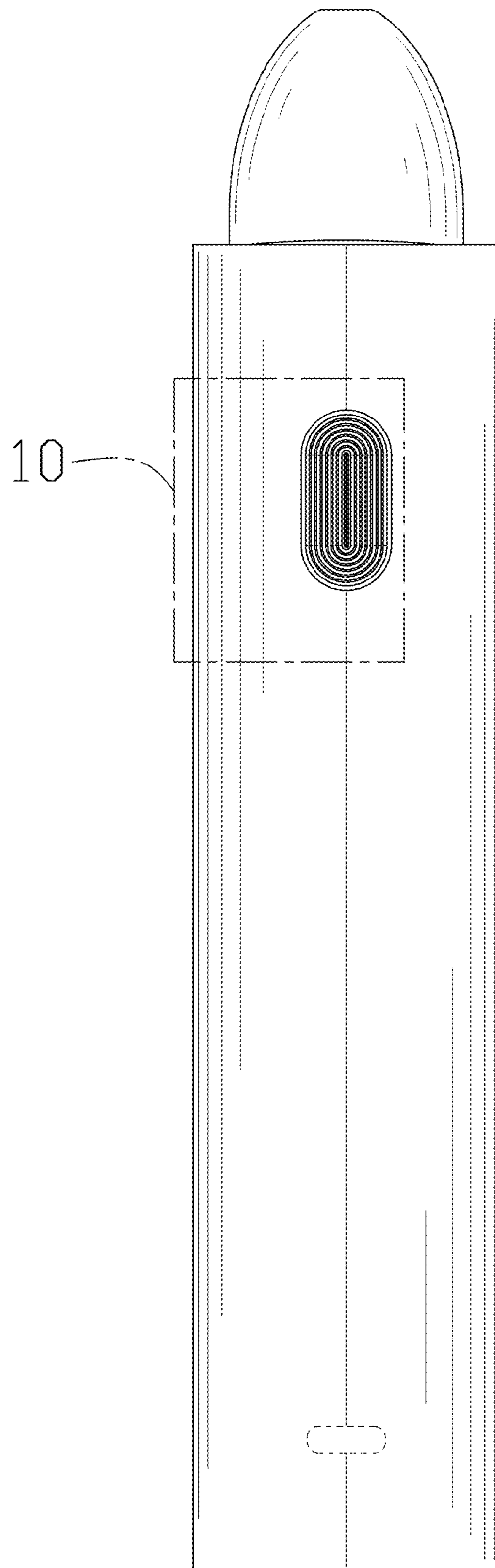


FIG. 3

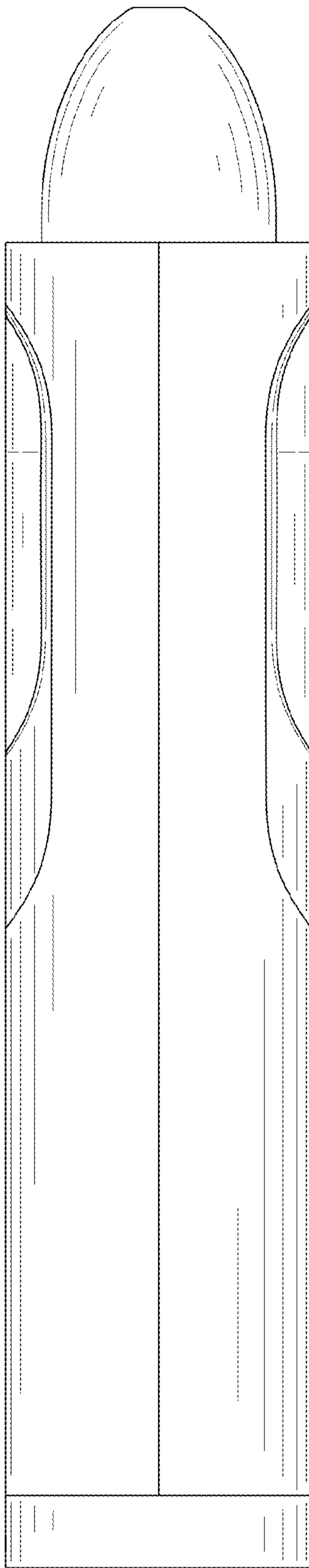


FIG. 4

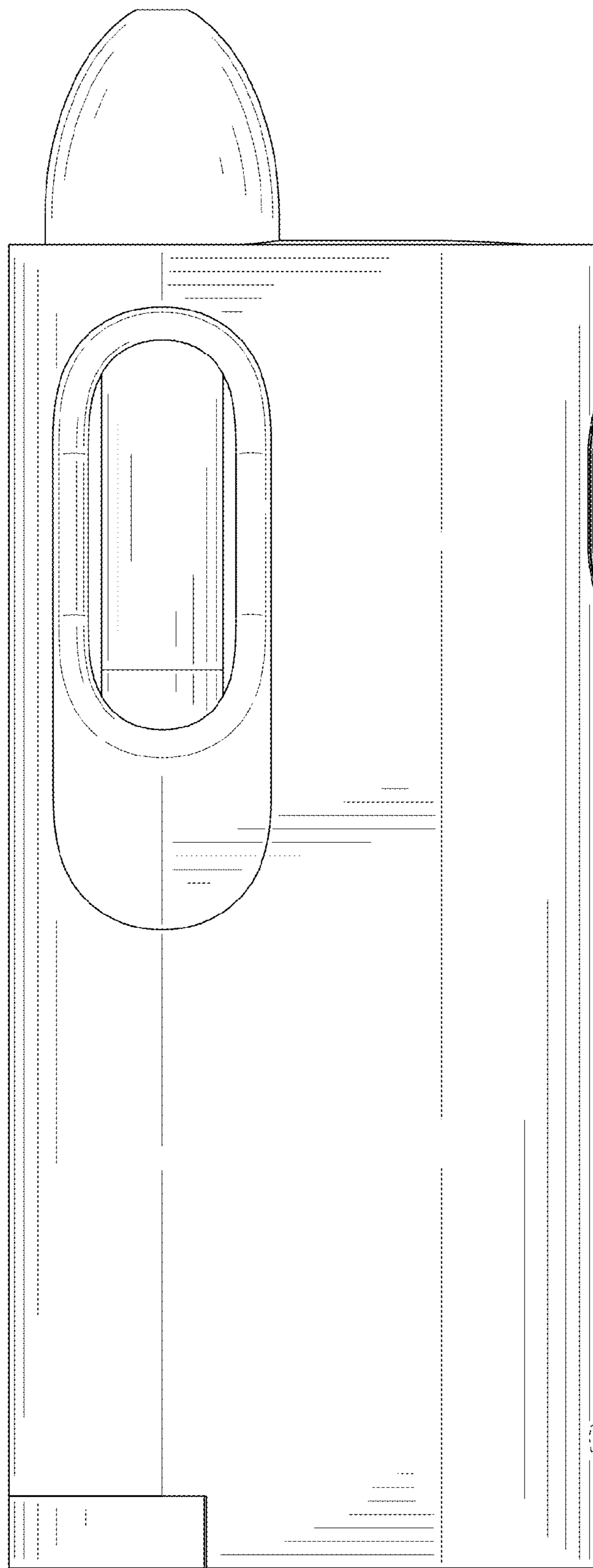


FIG. 5

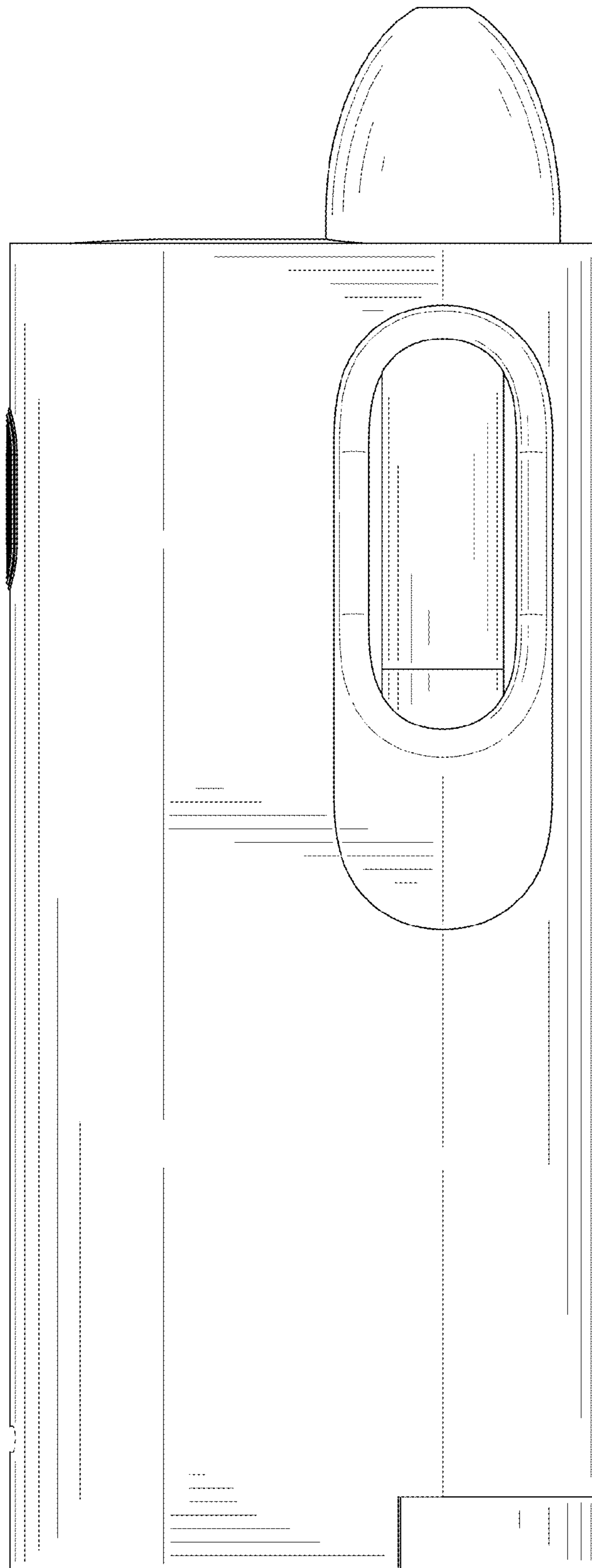


FIG. 6

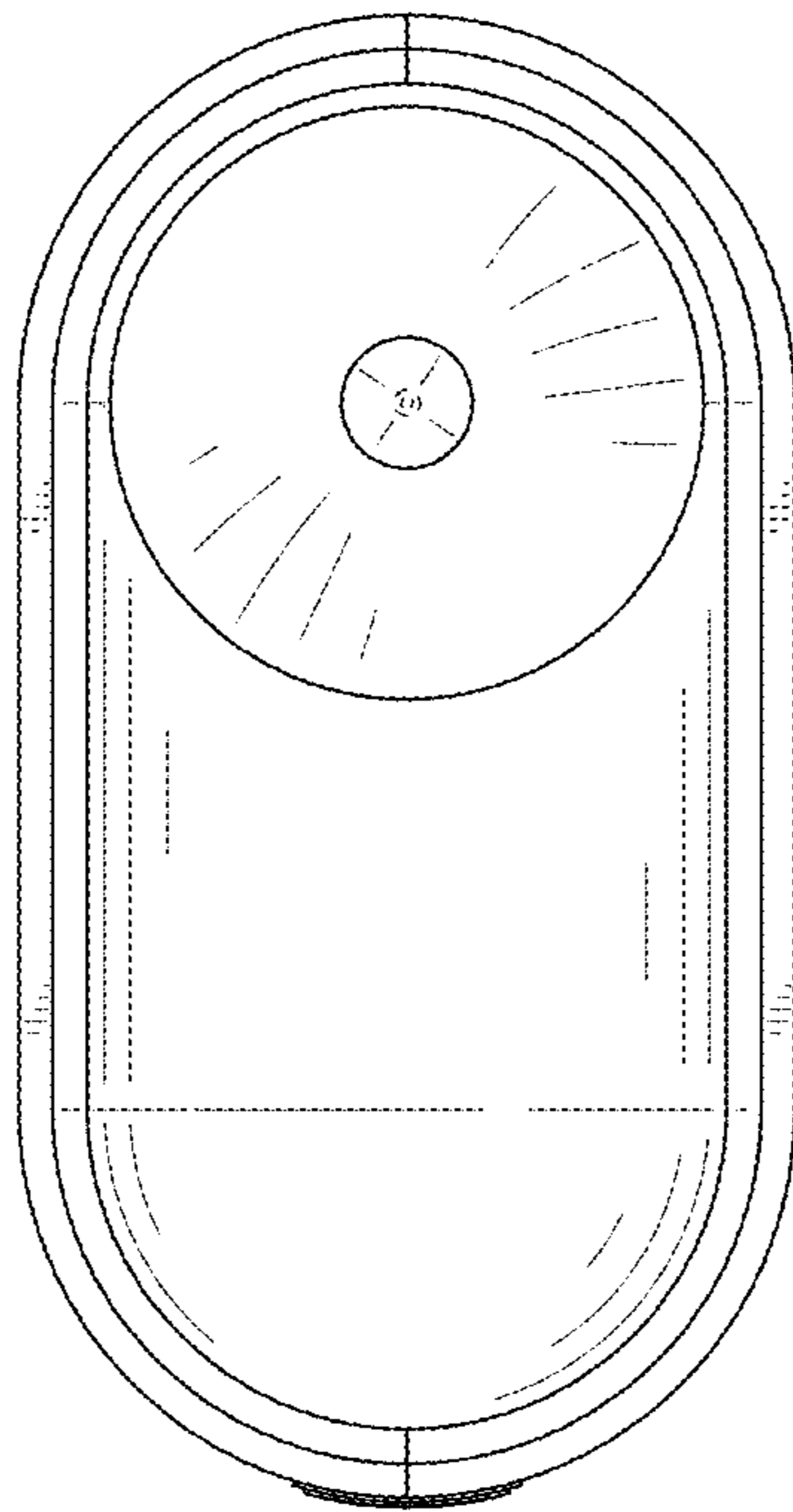


FIG. 7



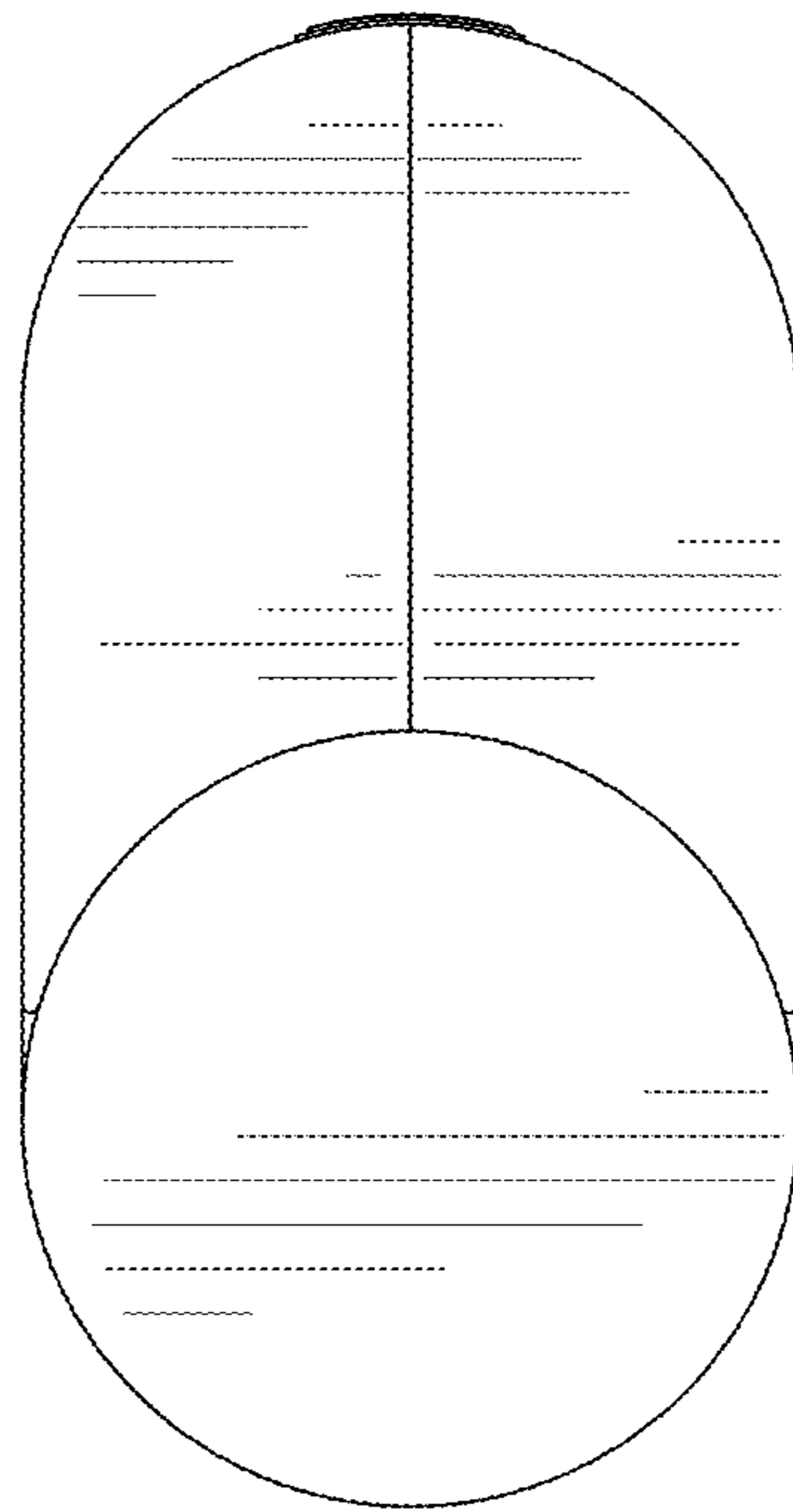


FIG. 8

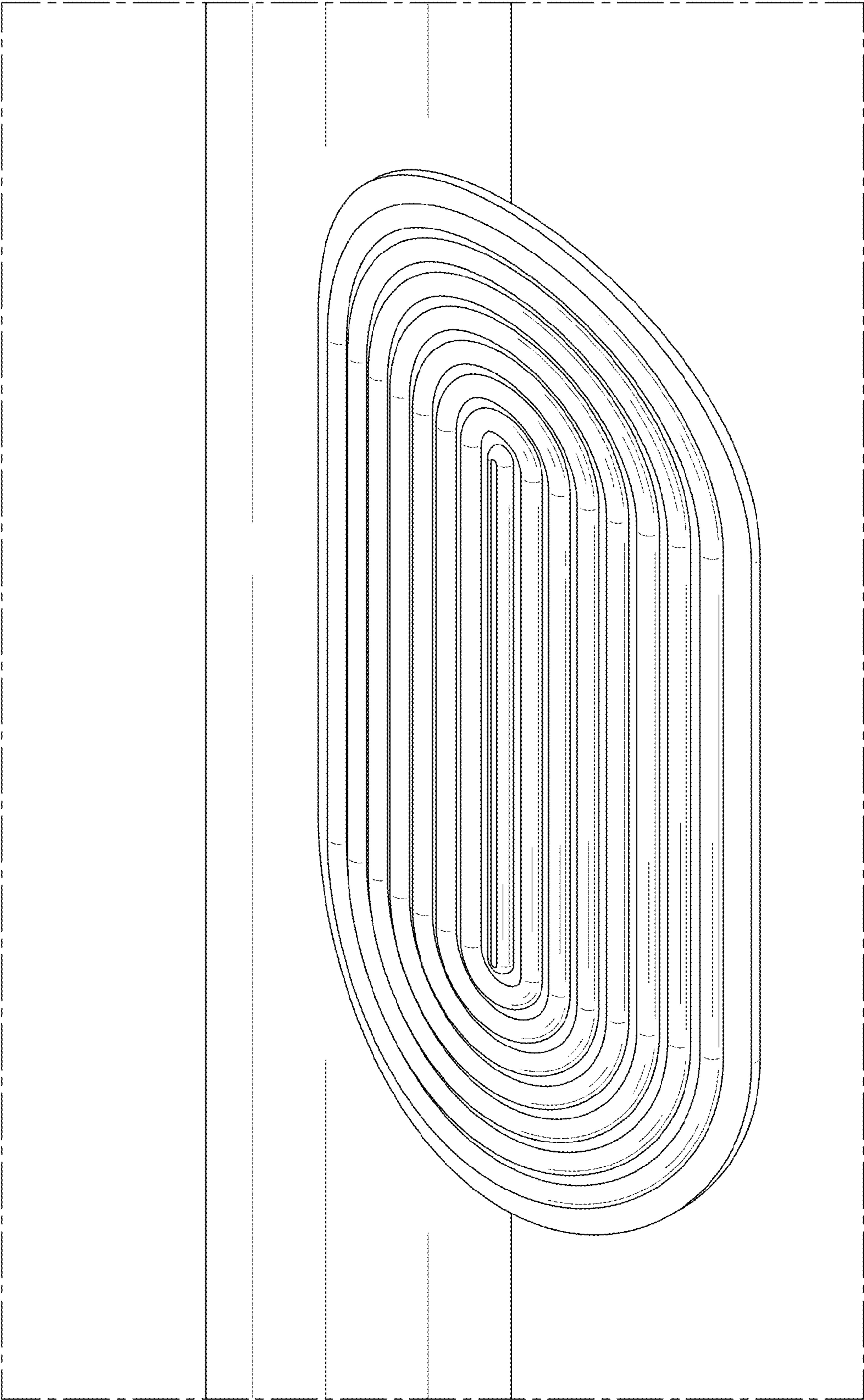


FIG. 9

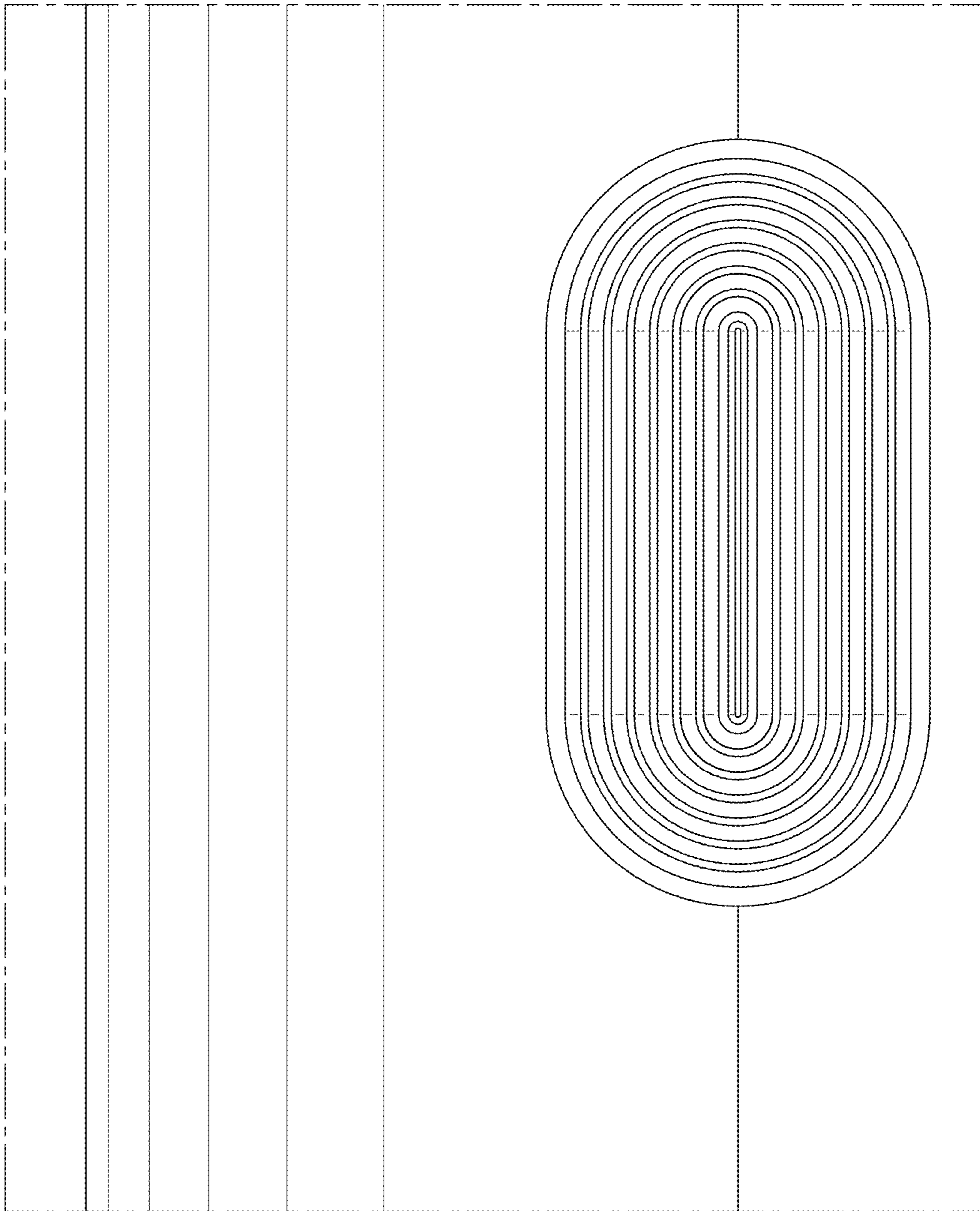


FIG. 10