



US00D965145S

(12) **United States Design Patent**  
**Milman et al.**

(10) **Patent No.:** **US D965,145 S**  
(45) **Date of Patent:** **\*\* Sep. 27, 2022**

(54) **ROBOTASSISTED SURGICAL SYSTEM  
CONSOLE**

D876,623 S \* 2/2020 Yang ..... D24/133  
D882,798 S \* 4/2020 Hong ..... D24/160  
D896,376 S \* 9/2020 Yaghoobian ..... D24/135  
D905,857 S \* 12/2020 Oischikorraf ..... D24/186

(71) Applicant: **Memic Innovative Surgery Ltd., Or  
Yehuda (IL)**

(72) Inventors: **Efrat Milman, Tel Aviv (IL); Alex  
Padwa, Tel Aviv (IL); Yakir Buaron,  
Rosh Haayin (IL)**

(73) Assignee: **MEMIC INNOVATIVE SURGERY  
LTD., Or Yehuda (IL)**

(\*\*) Term: **15 Years**

(21) Appl. No.: **35/511,299**

(22) Filed: **Jan. 24, 2021**

(80) **Hague Agreement Data**

Int. Filing Date: **Jan. 24, 2021**

Int. Reg. No.: **DM/212369**

Int. Reg. Date: **Jan. 24, 2021**

Int. Reg. Pub. Date: **Feb. 5, 2021**

(51) **LOC (13) Cl.** ..... **24-02**

(52) **U.S. Cl.**

USPC ..... **D24/138; D24/185; D24/186**

(58) **Field of Classification Search**

USPC ..... **D24/133, 107, 134-138, 144-146, 170,  
D24/177, 178, 183, 185, 186, 232, 234**

CPC ..... **A61B 19/00**

See application file for complete search history.

(56) **References Cited**

**U.S. PATENT DOCUMENTS**

D752,231 S \* 3/2016 Halter ..... D24/185

D848,003 S \* 5/2019 Worcester ..... D24/185

**OTHER PUBLICATIONS**

Youtube. Dvir Cohen—memic Overview 2021. Feb. 7, 2021. <https://www.youtube.com/watch?v=gJe1WVYYHn0> (Year: 2021).\*

Mass Device. Memic may go public through merger with SPAC by SEan Whooley. May 19, 2021. <https://www.massdevice.com/report-memic-may-go-public-through-merger-with-spac/> (Year: 2021).\*

\* cited by examiner

*Primary Examiner* — Darcey E Gottschalk

(74) *Attorney, Agent, or Firm* — Cantor Colburn LLP

(57) **CLAIM**

The ornamental design for a robot-assisted surgical system console, as shown and described.

**DESCRIPTION**

1. Robot-assisted surgical system console

1.1 : Isometric view (back, top, left)

1.2 : Back

1.3 : Front

1.4 : Right

1.5 Left

1.6 : Top

1.7 : Bottom

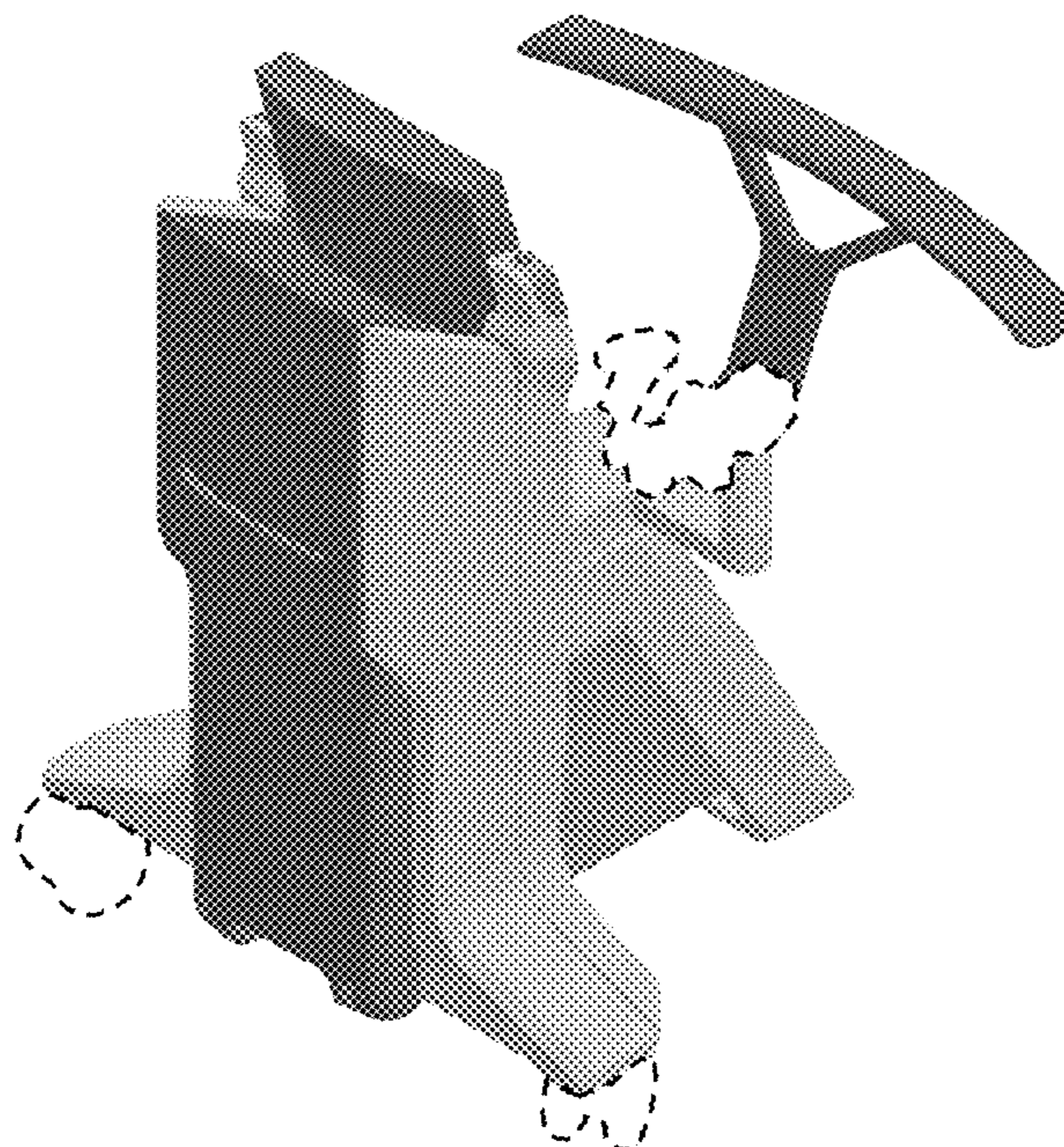
1.8 Isometric view (back, right, top)

1.9 : Isometric view (front, left, top)

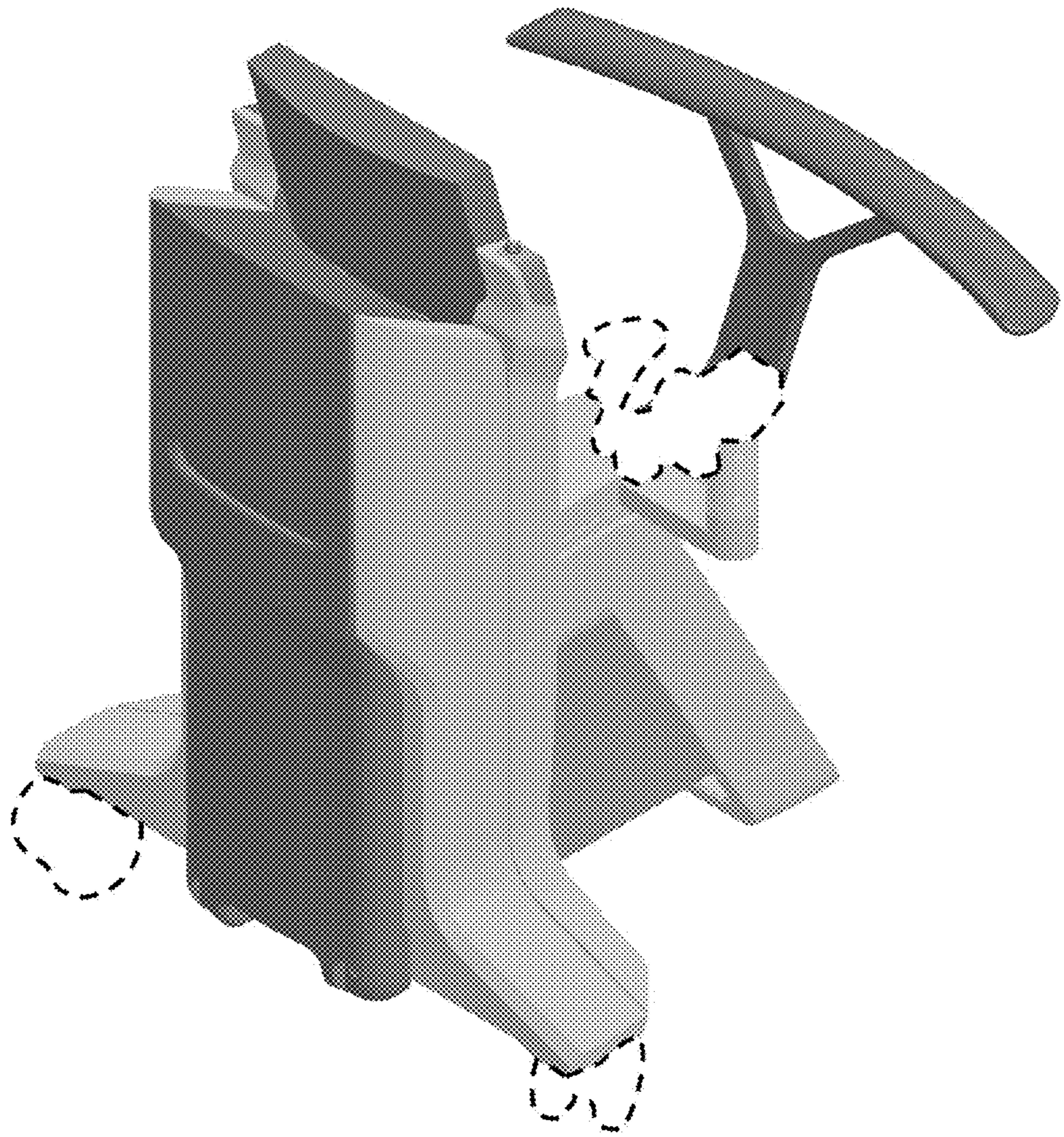
1.10 : Isometric view (right, bottom)

In the reproductions, the broken lines show portions of a robot-assisted surgical system console that form no part of the claim.

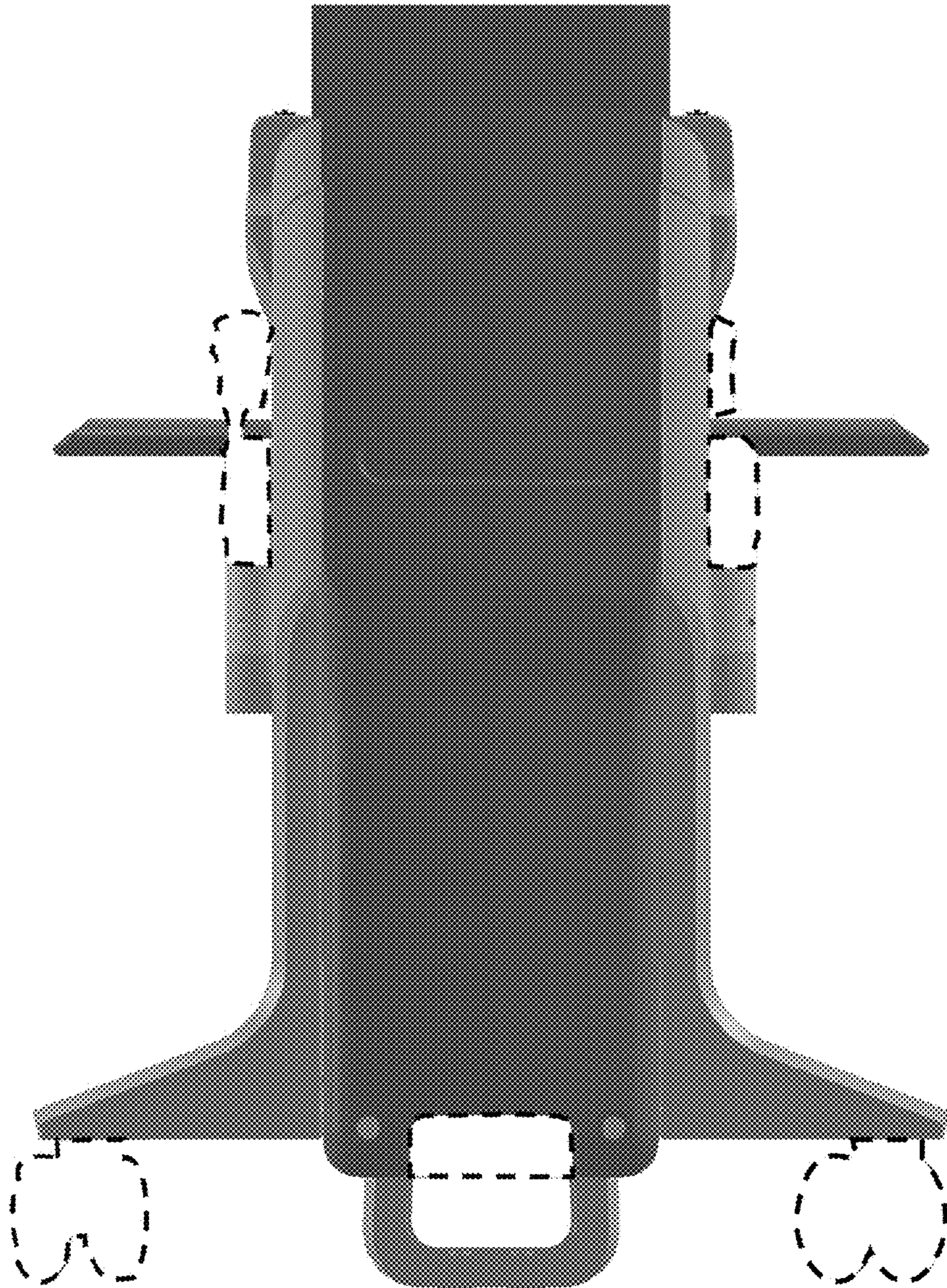
**1 Claim, 10 Drawing Sheets**



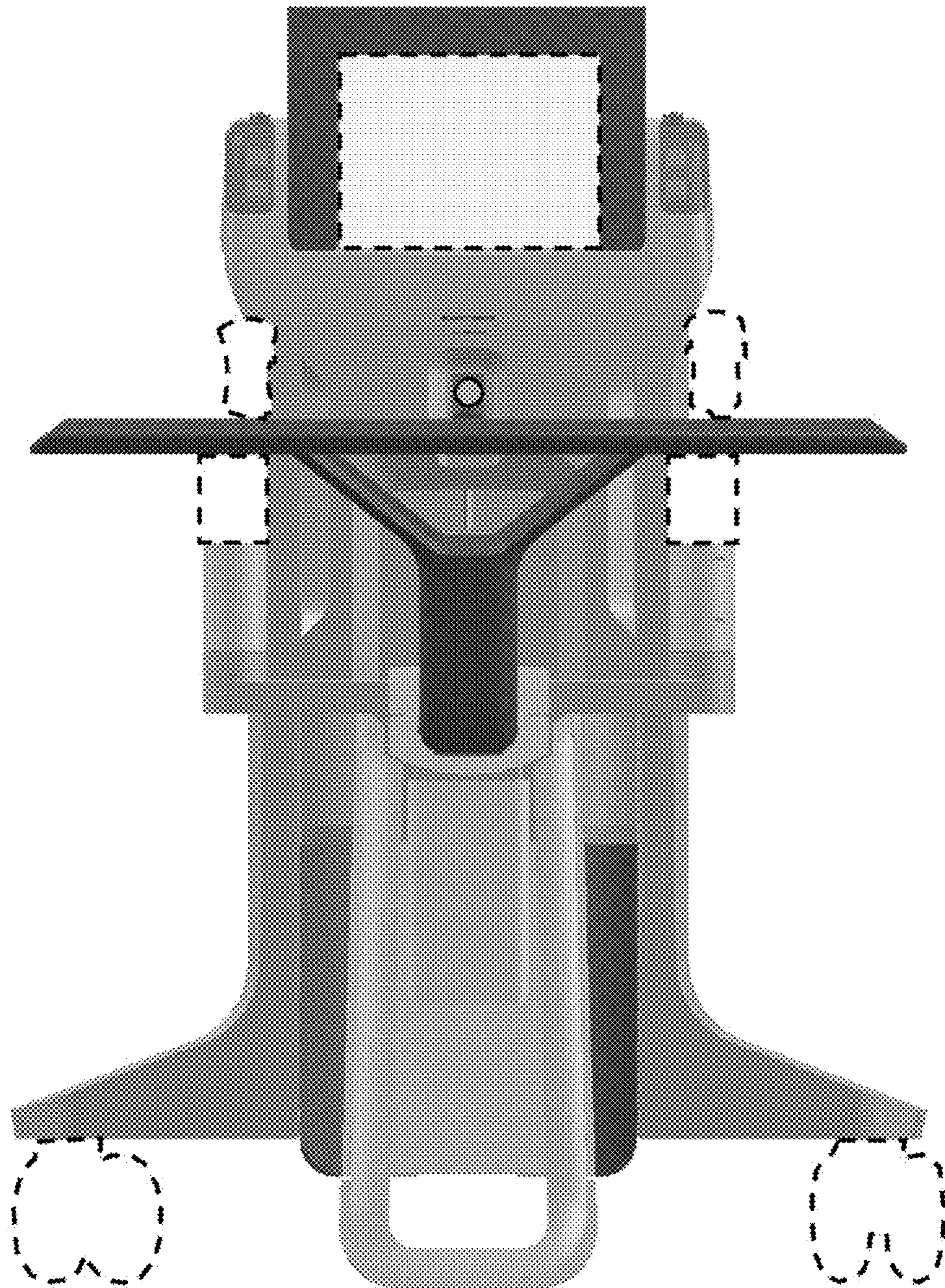
1.1



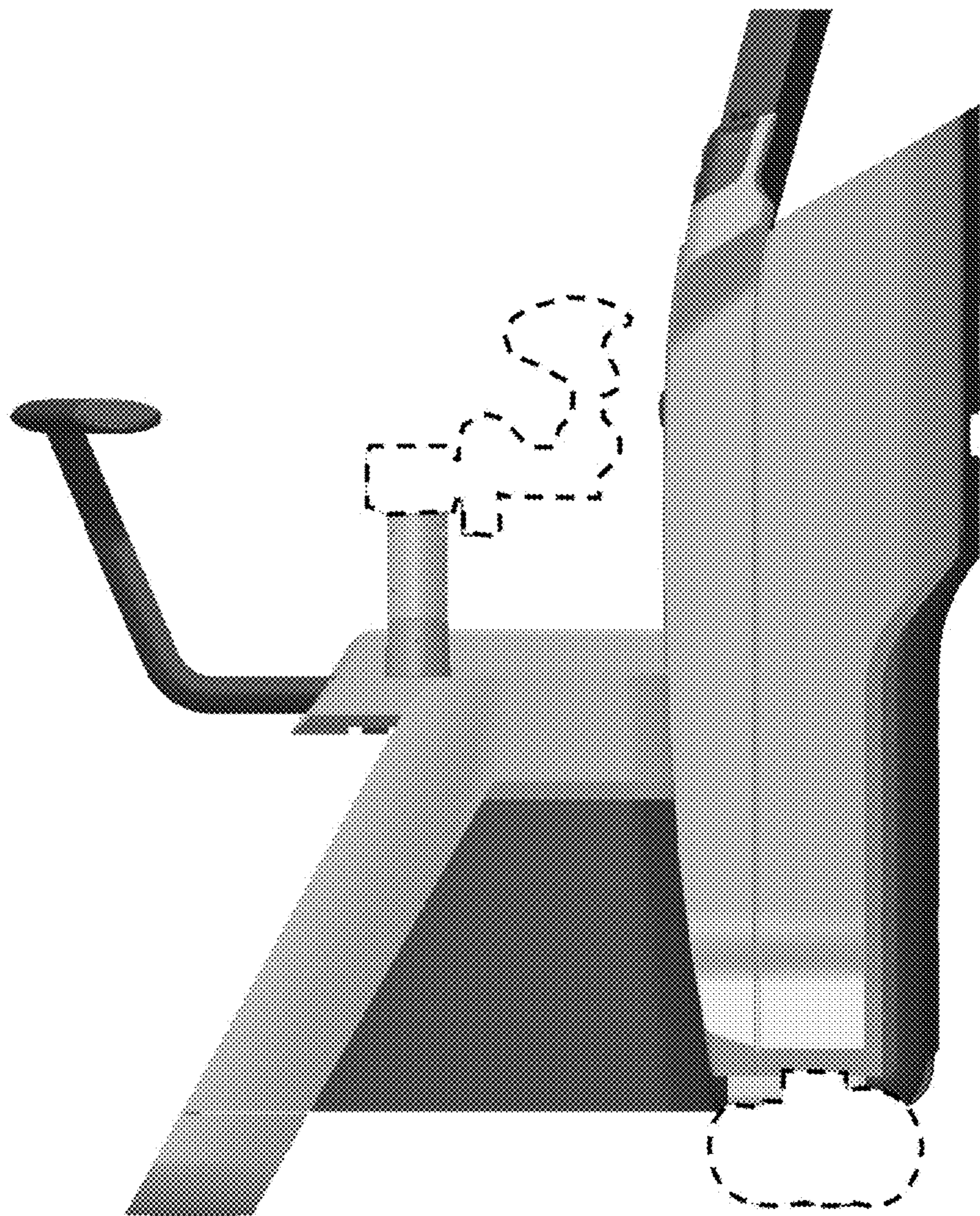
1.2



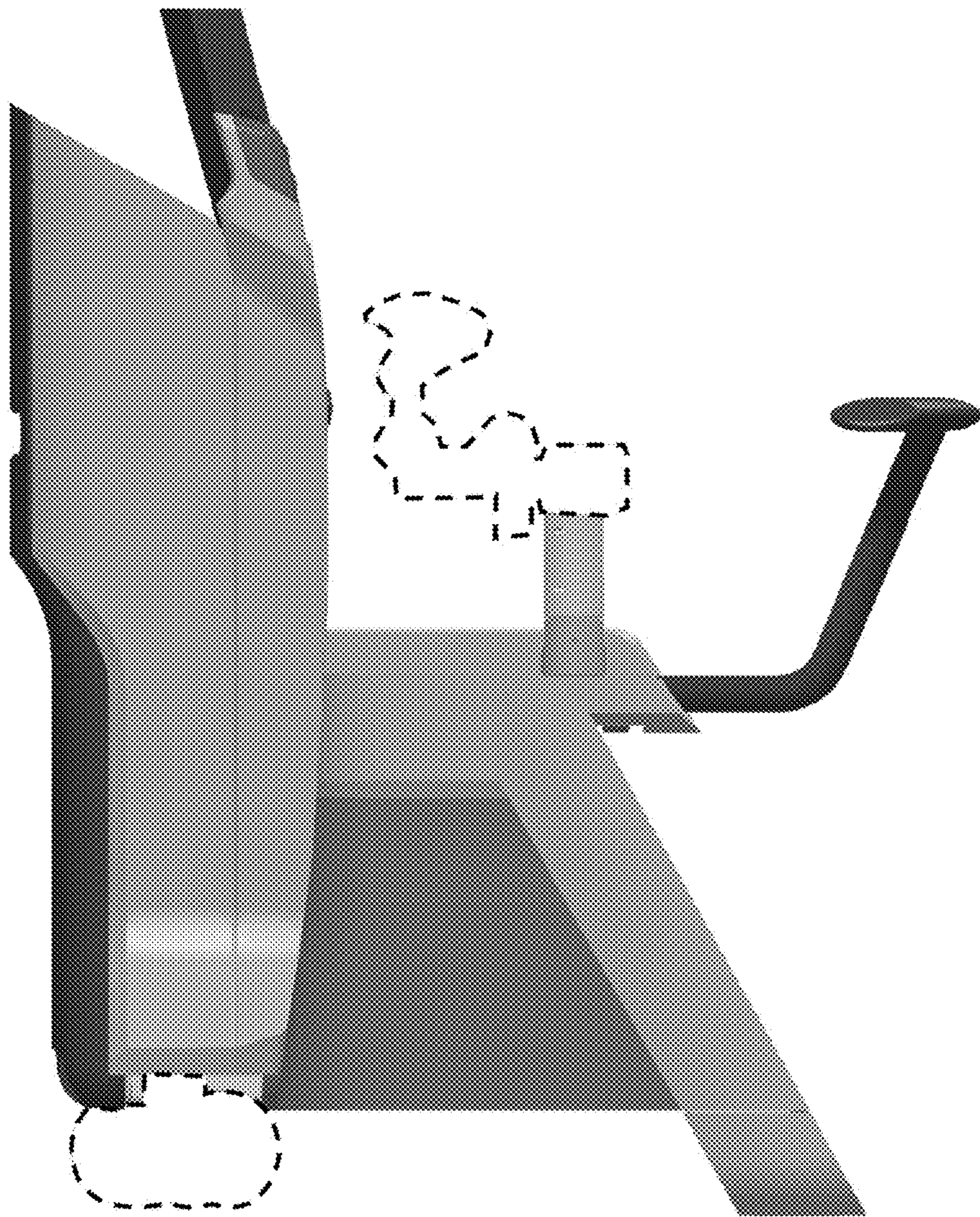
1.3



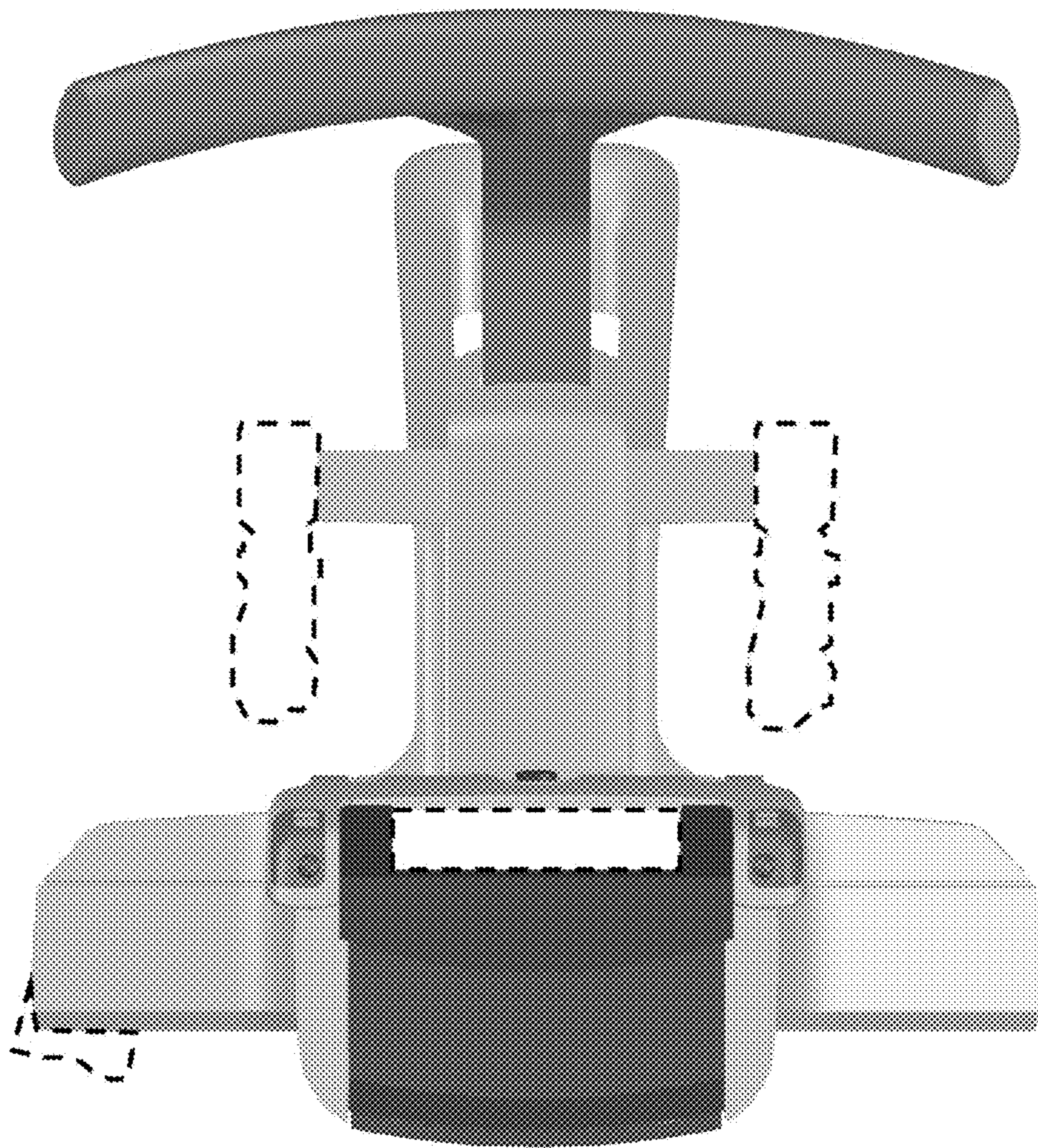
1.4



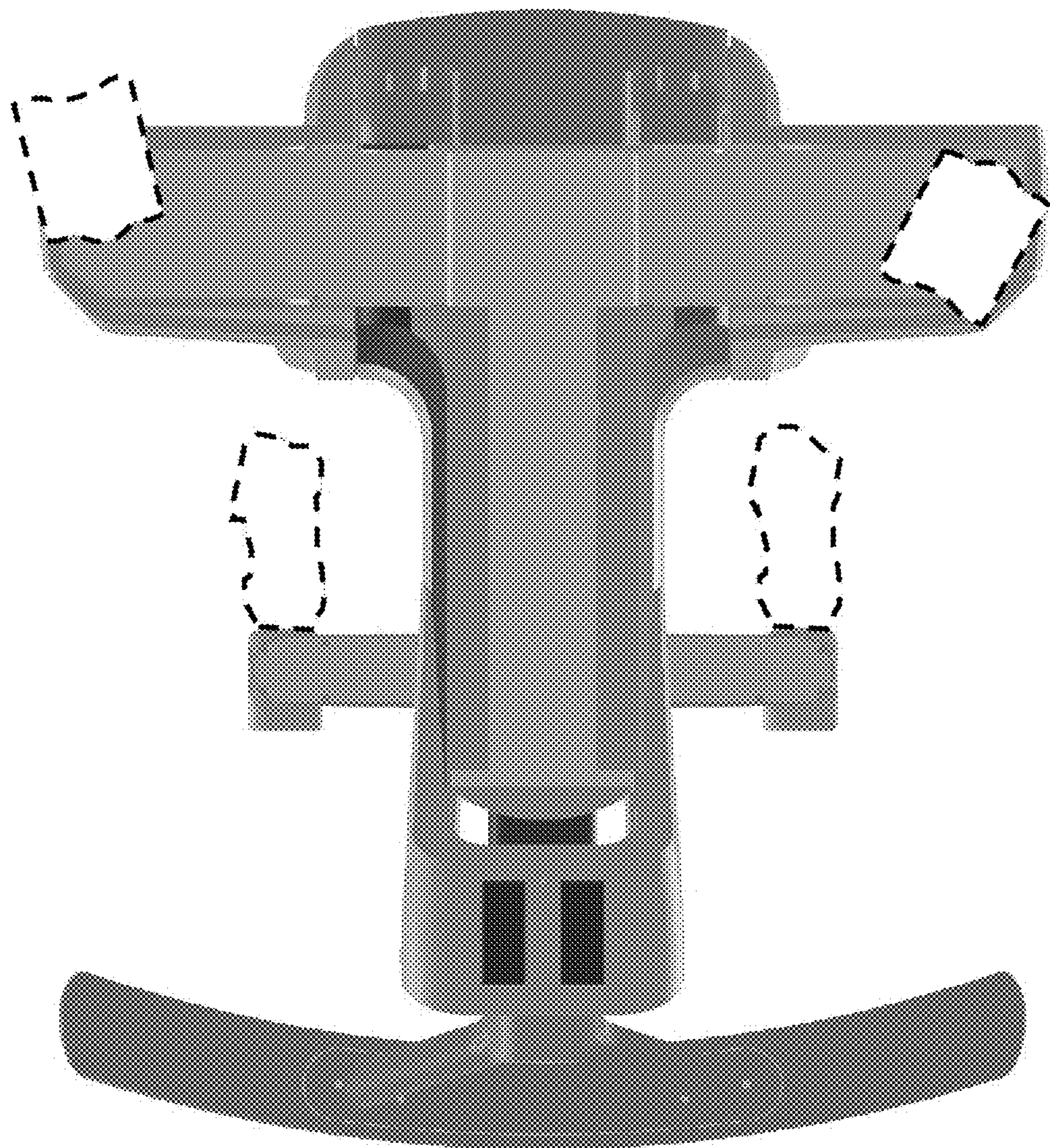
1.5



1.6

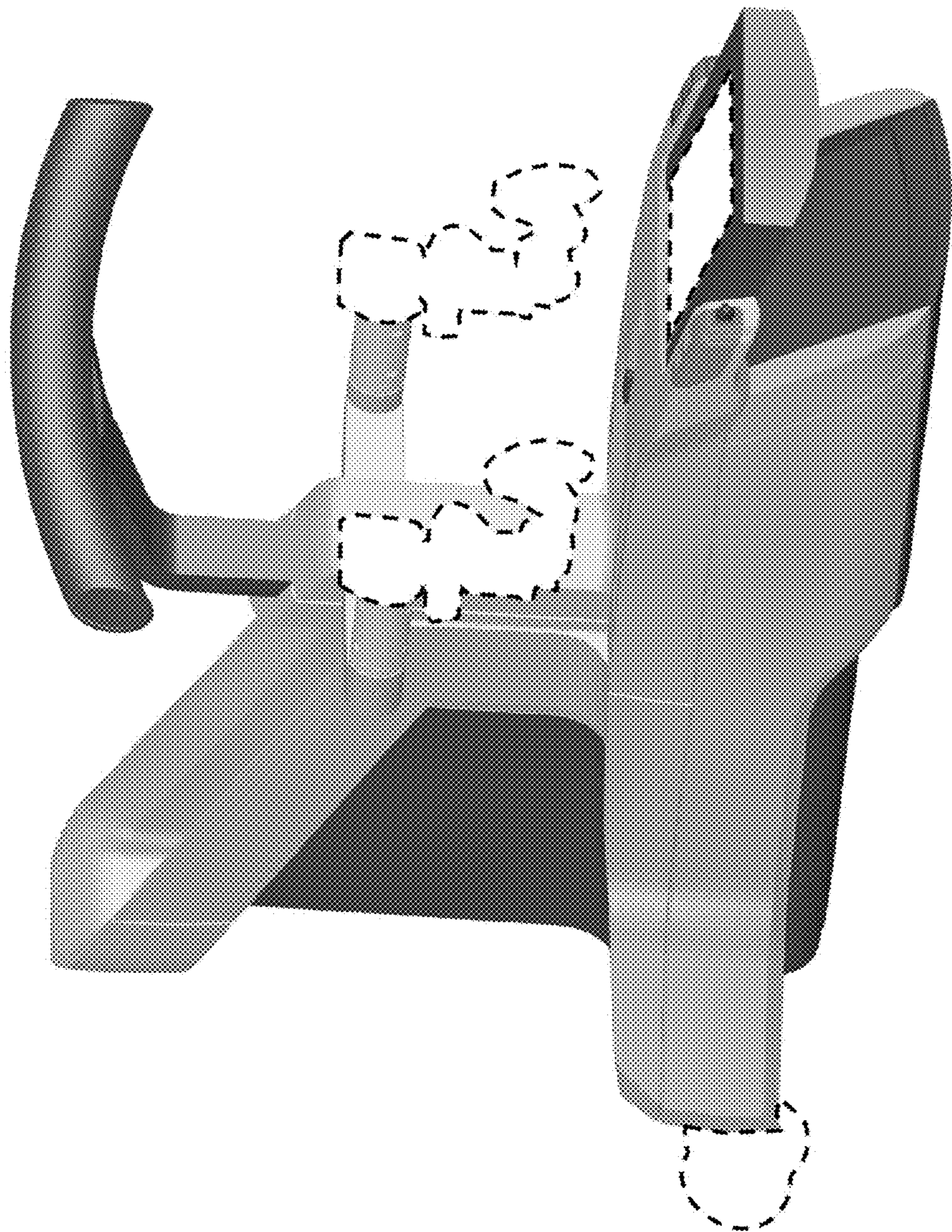


1.7

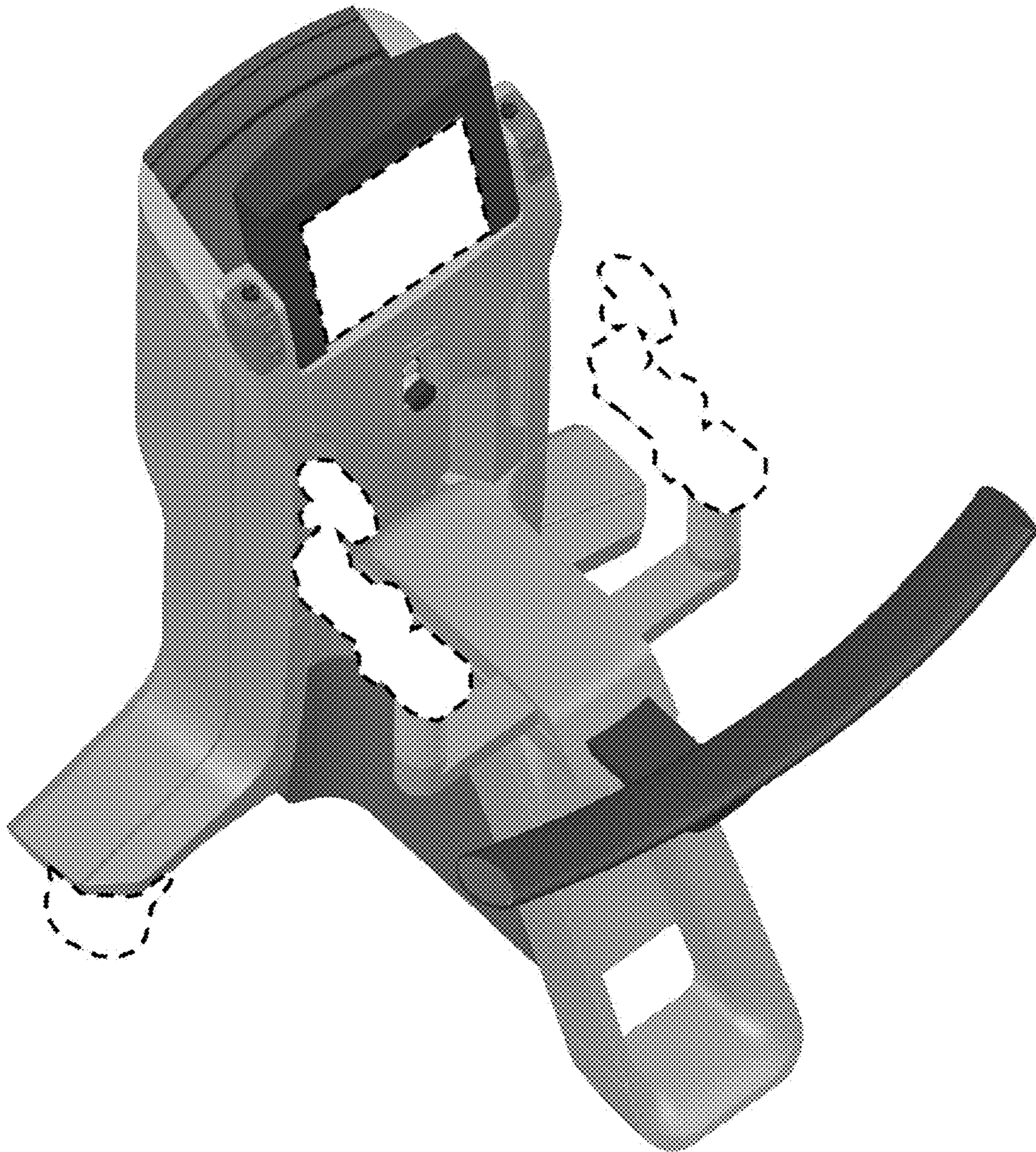




1.8



1.9



1.10

