



US00D965144S

(12) **United States Design Patent** (10) **Patent No.:** **US D965,144 S**  
**Serfezi** (45) **Date of Patent:** **\*\* Sep. 27, 2022**

(54) **CONTROL PLATFORM**  
(71) Applicant: **Pirum Solmed Ltd**, Limassol (CY)  
(72) Inventor: **Carmen Roxana Serfezi**, Limassol (CY)  
(73) Assignee: **Pirum Solmed Ltd**, Limassol (CY)  
(\*\*) Term: **15 Years**  
(21) Appl. No.: **29/721,457**  
(22) Filed: **Jan. 21, 2020**  
(51) **LOC (13) Cl.** ..... **24-01**  
(52) **U.S. Cl.**  
USPC ..... **D24/138**  
(58) **Field of Classification Search**  
USPC ..... D24/231, 232, 107, 186, 133, 137, 138, D24/128, 129  
CPC ..... A61B 1/00066; A61B 1/00121; A61B 1/00154; A61B 1/0052; A61B 1/31; A61B 2017/3452  
See application file for complete search history.

(56) **References Cited**  
U.S. PATENT DOCUMENTS  
D576,277 S \* 9/2008 Oren ..... D24/133  
D612,045 S \* 3/2010 Sarvazyan ..... D24/133  
D755,374 S \* 5/2016 Oberlaender ..... D24/133  
D802,128 S \* 11/2017 Im ..... D24/137

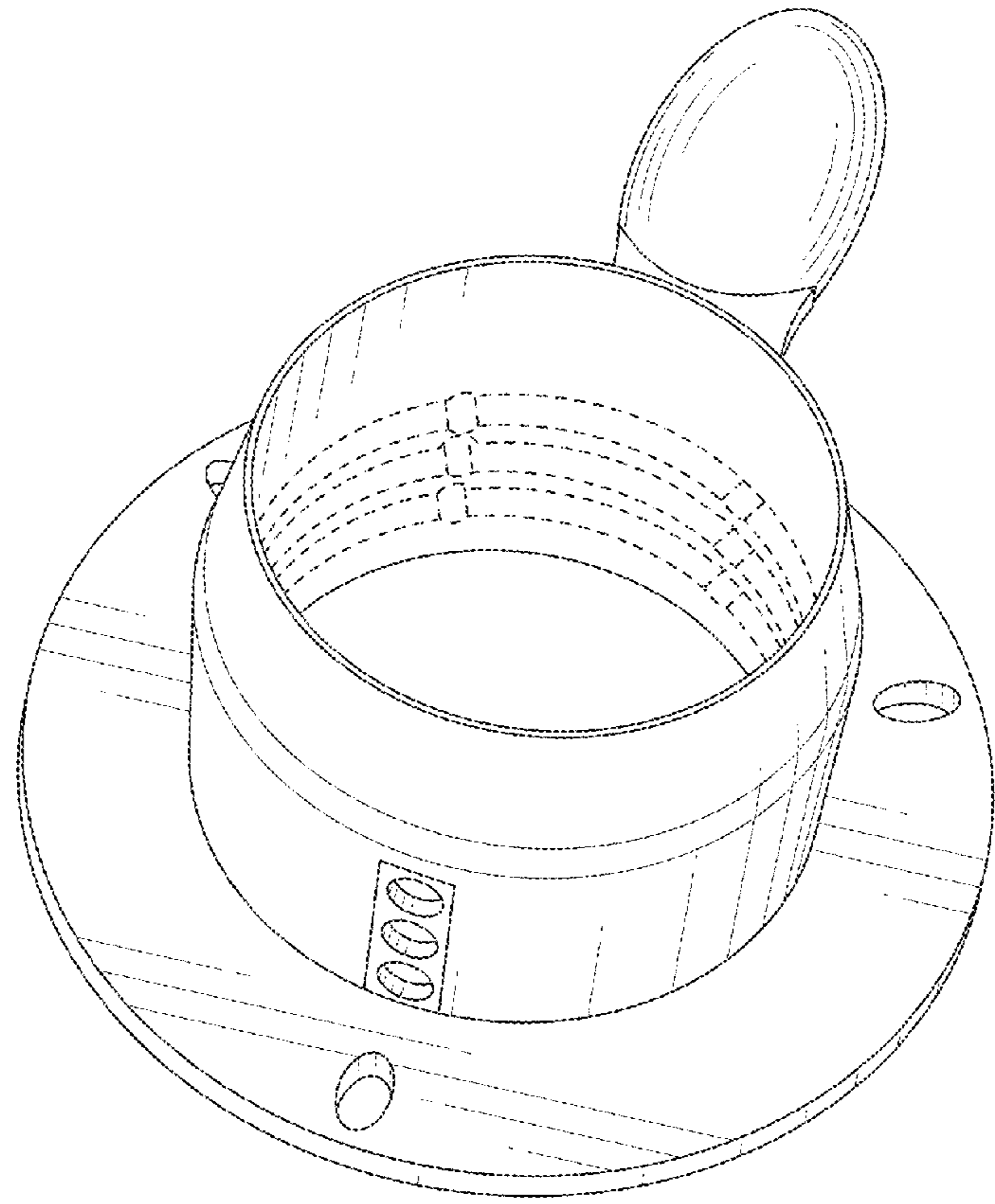
D852,964 S \* 7/2019 Martin ..... D24/186  
D859,657 S \* 9/2019 Ostrovsky ..... D24/138  
D860,442 S \* 9/2019 Ostrovsky ..... D24/138  
D870,280 S \* 12/2019 Roychowdhury ..... D24/138  
D931,452 S \* 9/2021 Baba ..... D24/138  
2008/0275306 A1\* 11/2008 Rebuffat ..... A61B 1/31 600/184  
2021/0244262 A1\* 8/2021 Martinez-Vargas, Jr. .... A61B 1/32

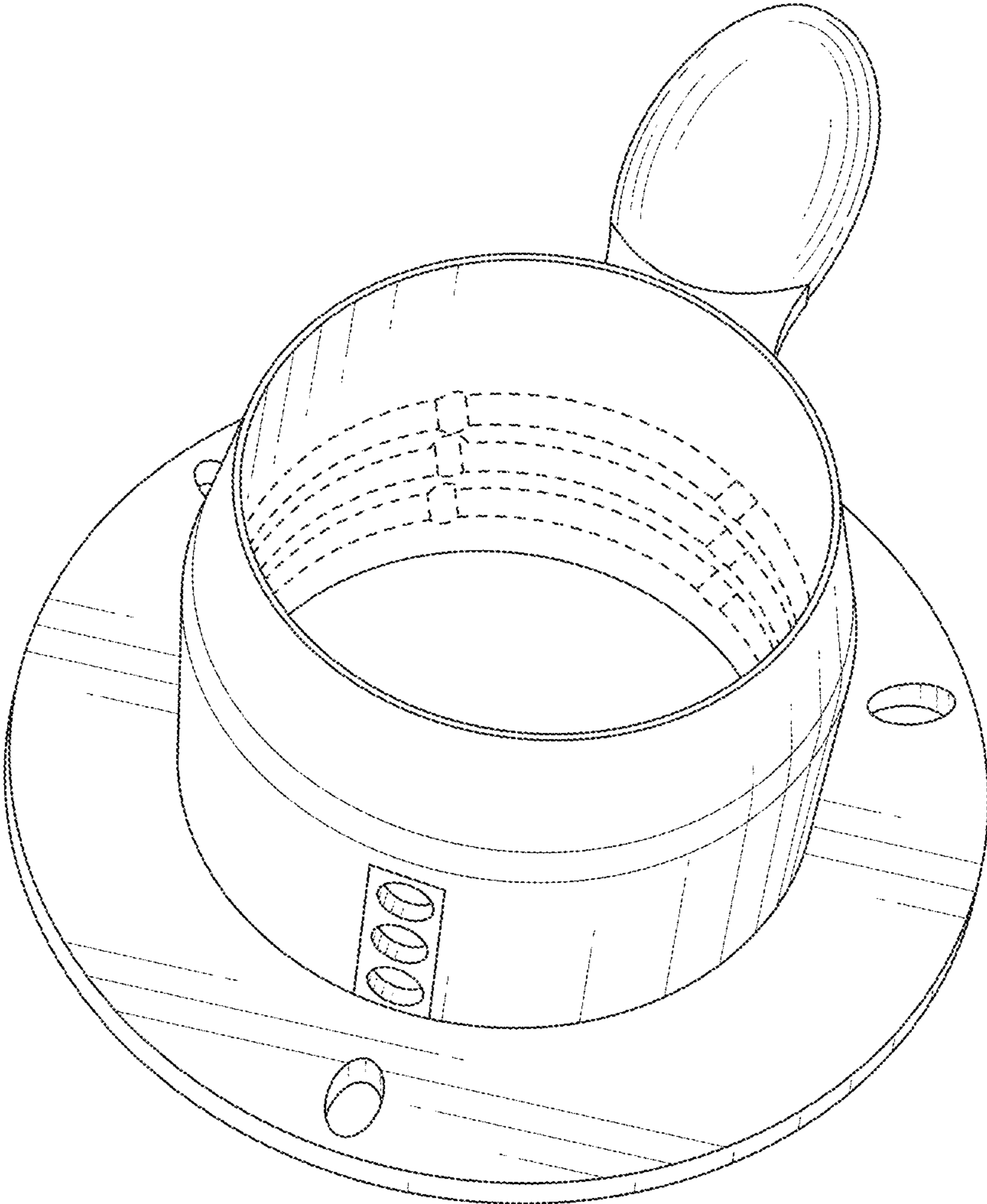
\* cited by examiner  
*Primary Examiner* — Anhdao Doan  
(74) *Attorney, Agent, or Firm* — Bay State IP, LLC

(57) **CLAIM**  
The ornamental design for a control platform, as shown and described.

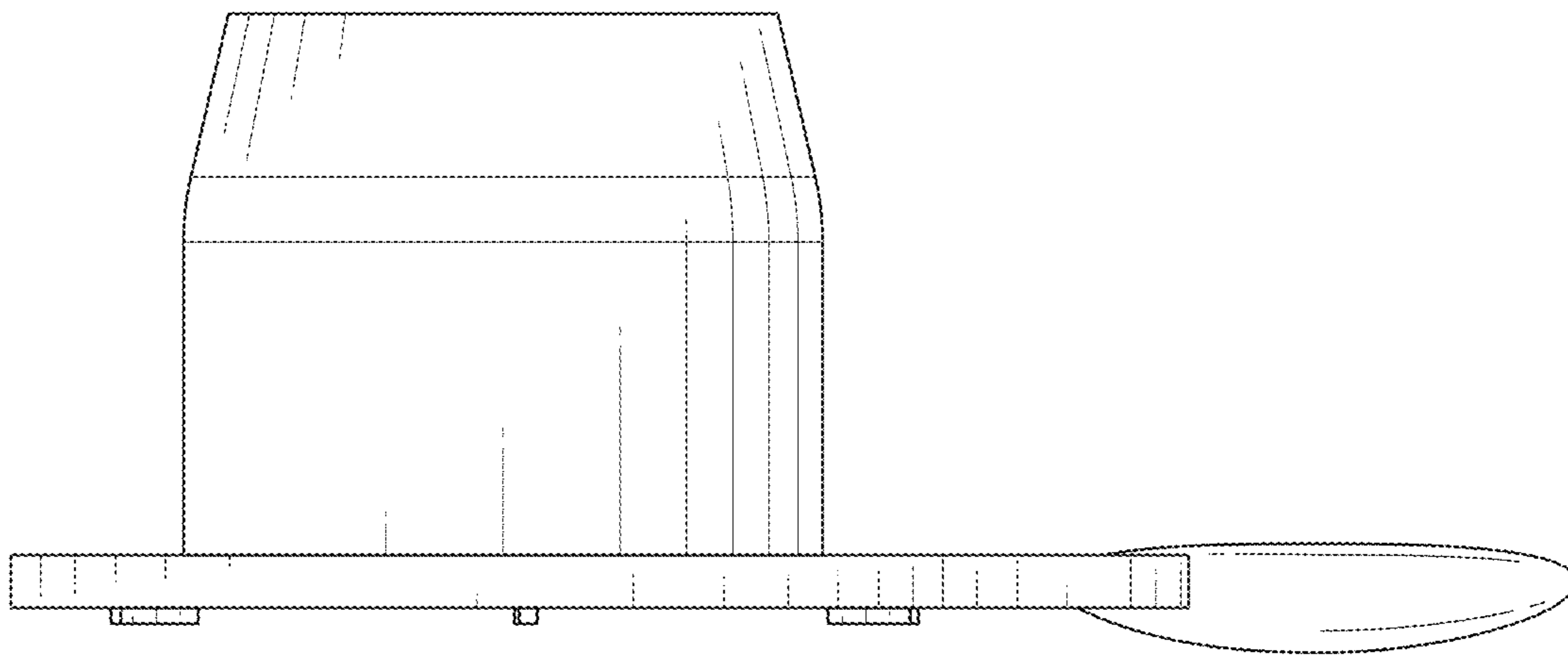
**DESCRIPTION**  
FIG. 1 is a front perspective view of the control platform showing our new design;  
FIG. 2 is a front view thereof;  
FIG. 3 is a back view thereof;  
FIG. 4 is a left side view thereof;  
FIG. 5 is a right side view thereof;  
FIG. 6 is a top view thereof; and,  
FIG. 7 is a bottom view thereof.  
The broken lines depict portions of the control platform that form no part of the claimed design.

**1 Claim, 7 Drawing Sheets**

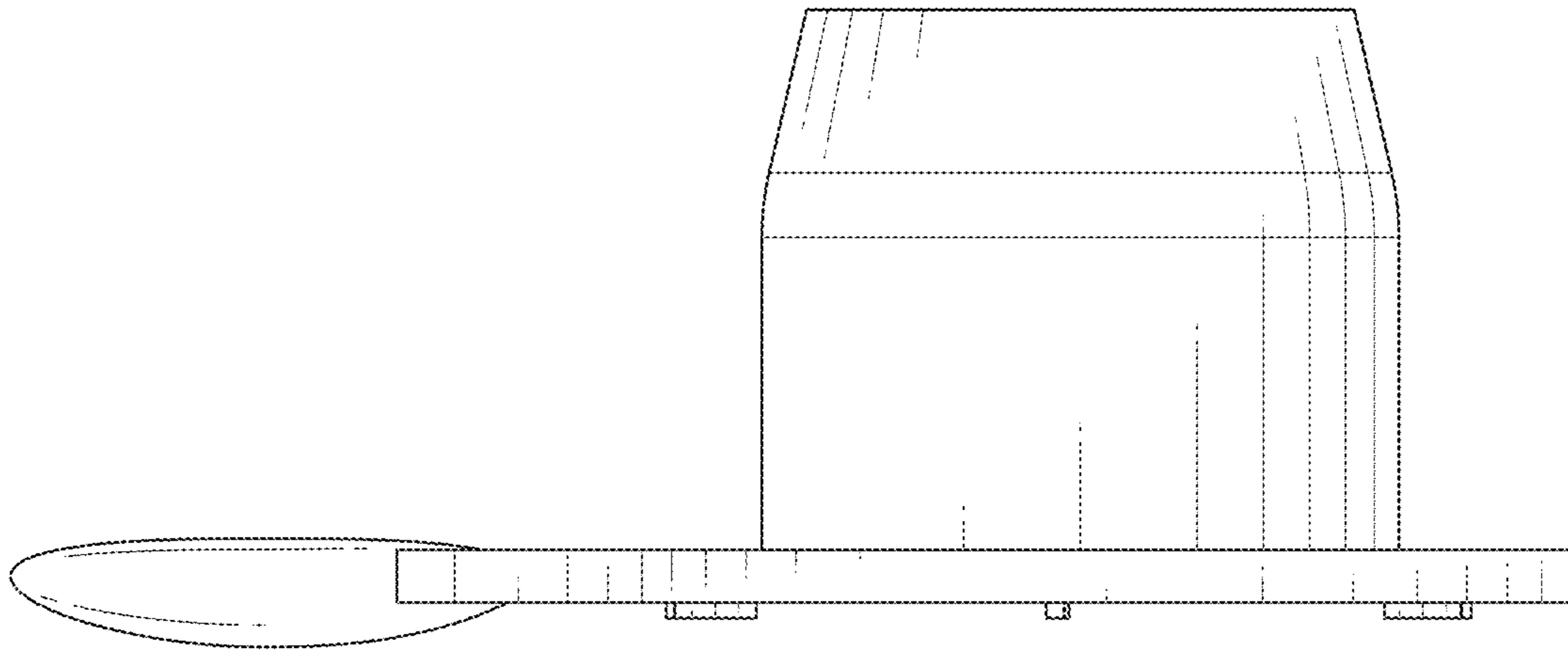




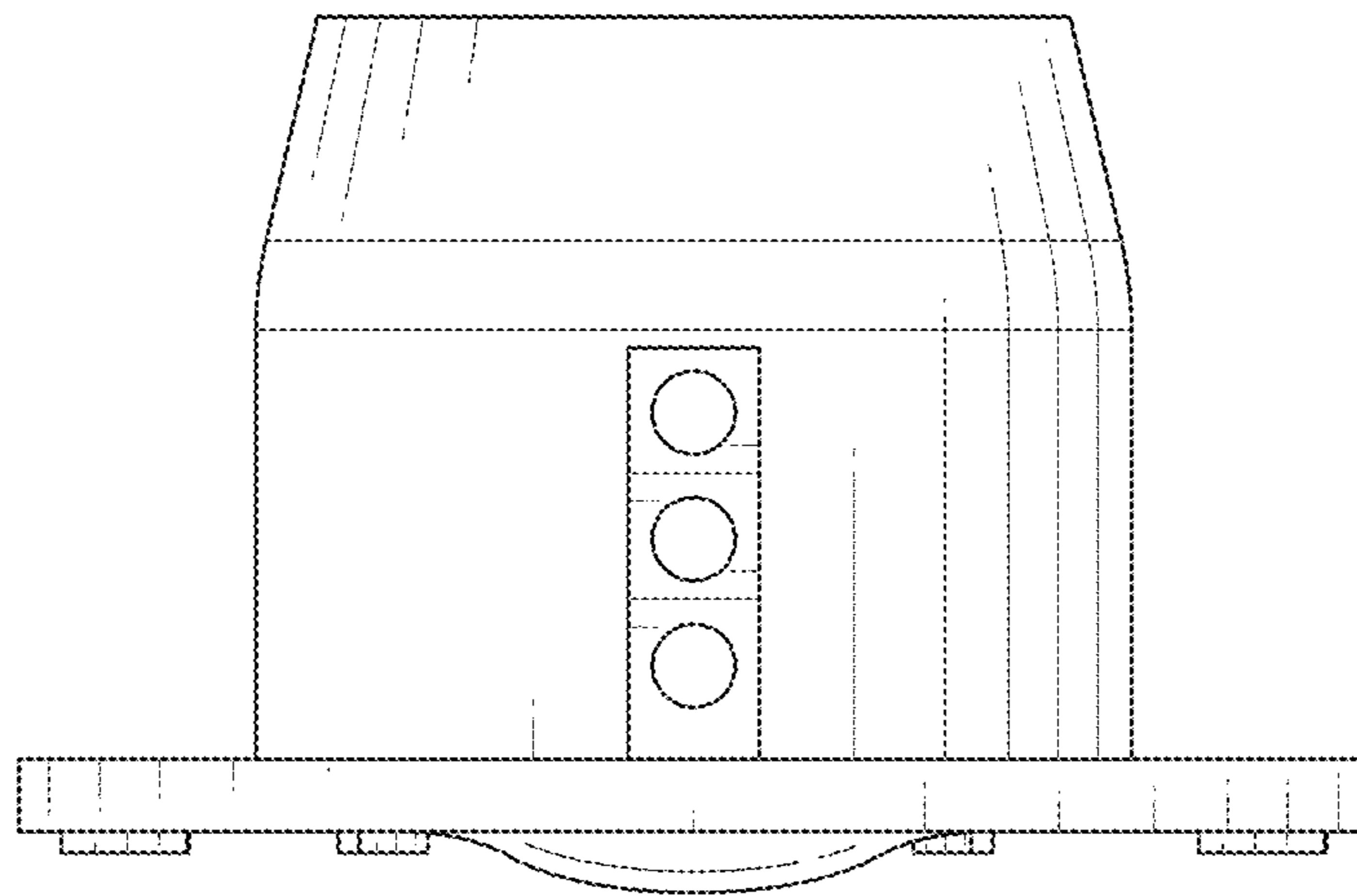
*Fig. 1*



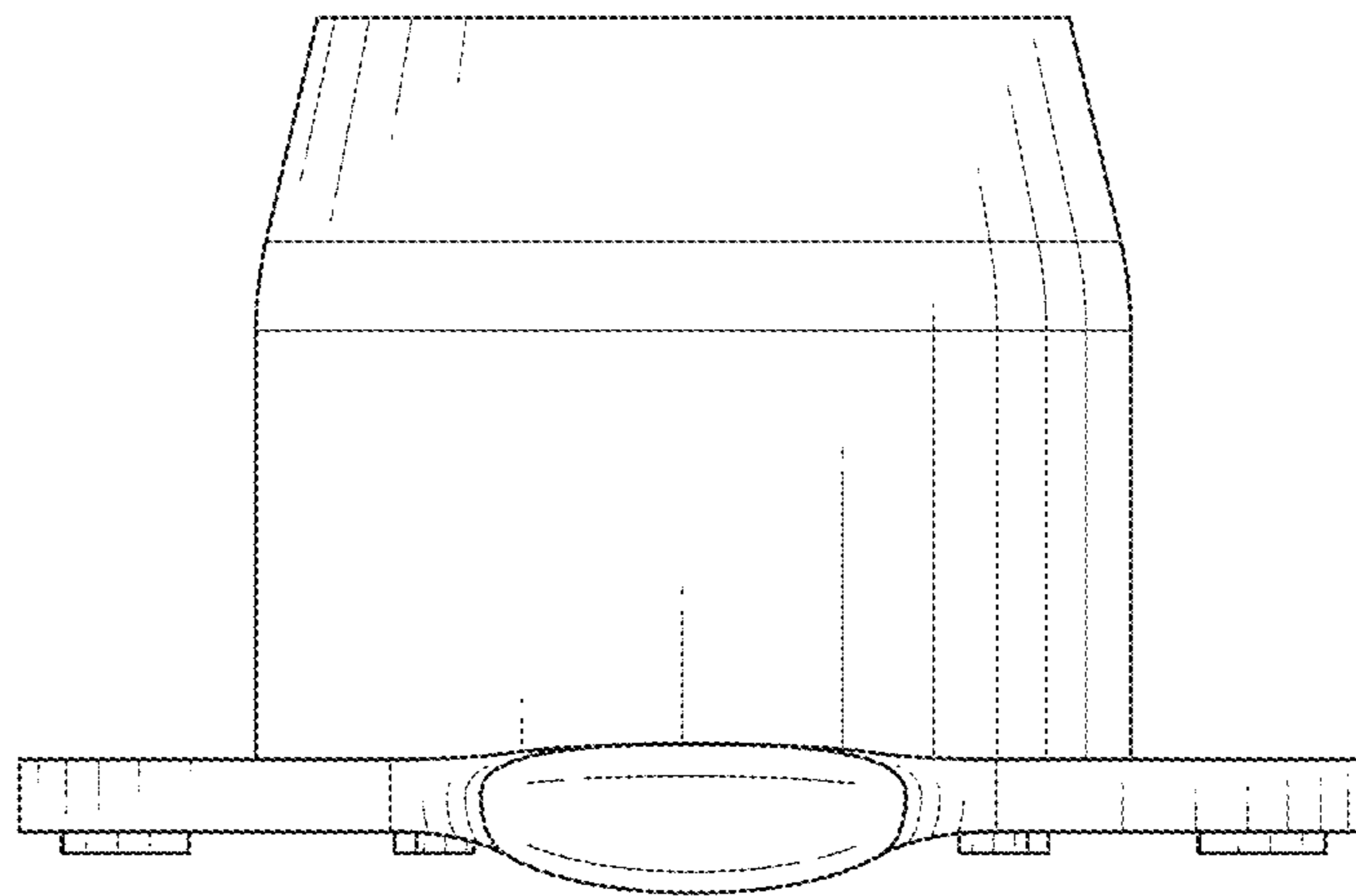
*Fig. 2*



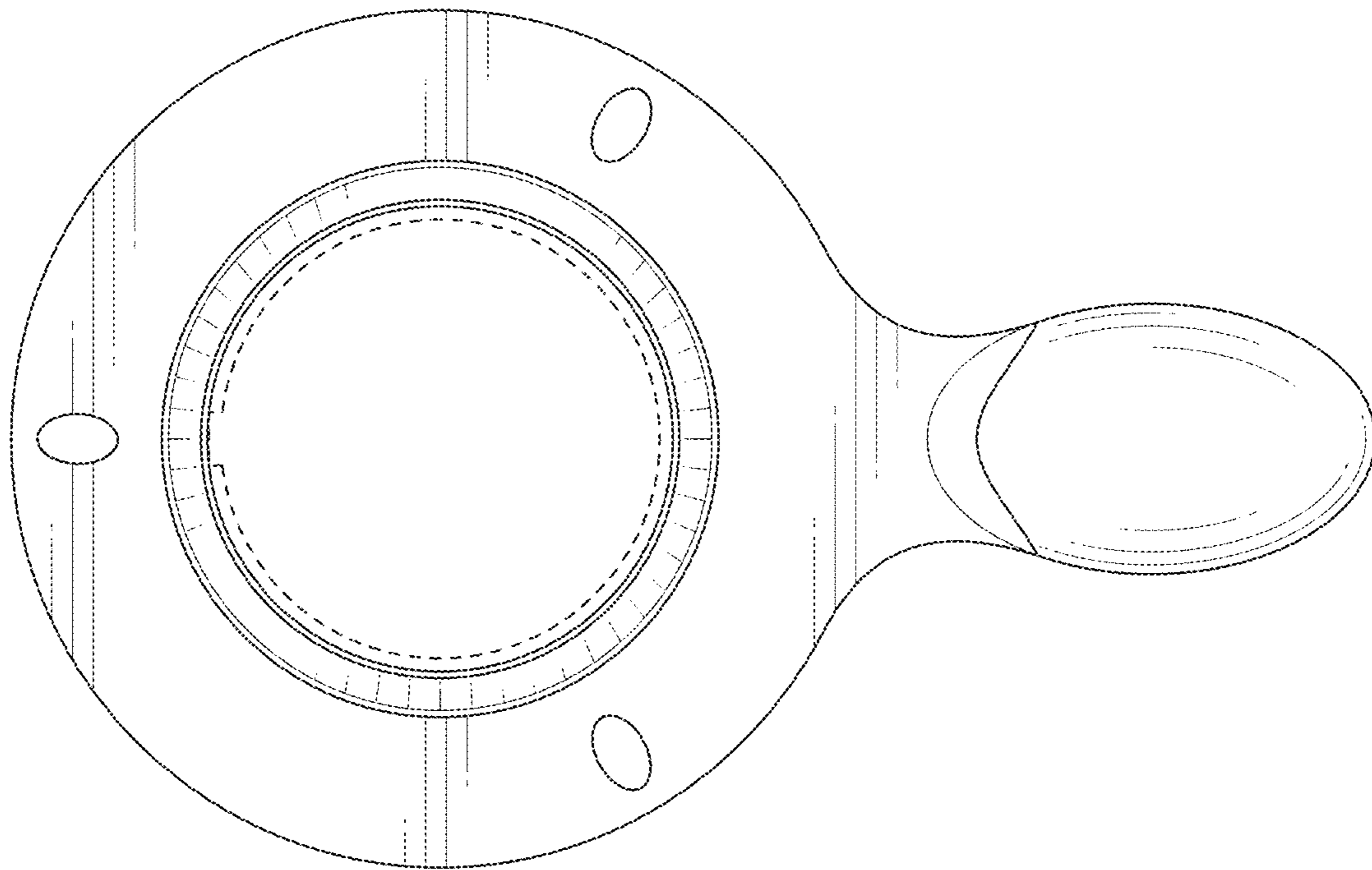
*Fig. 3*



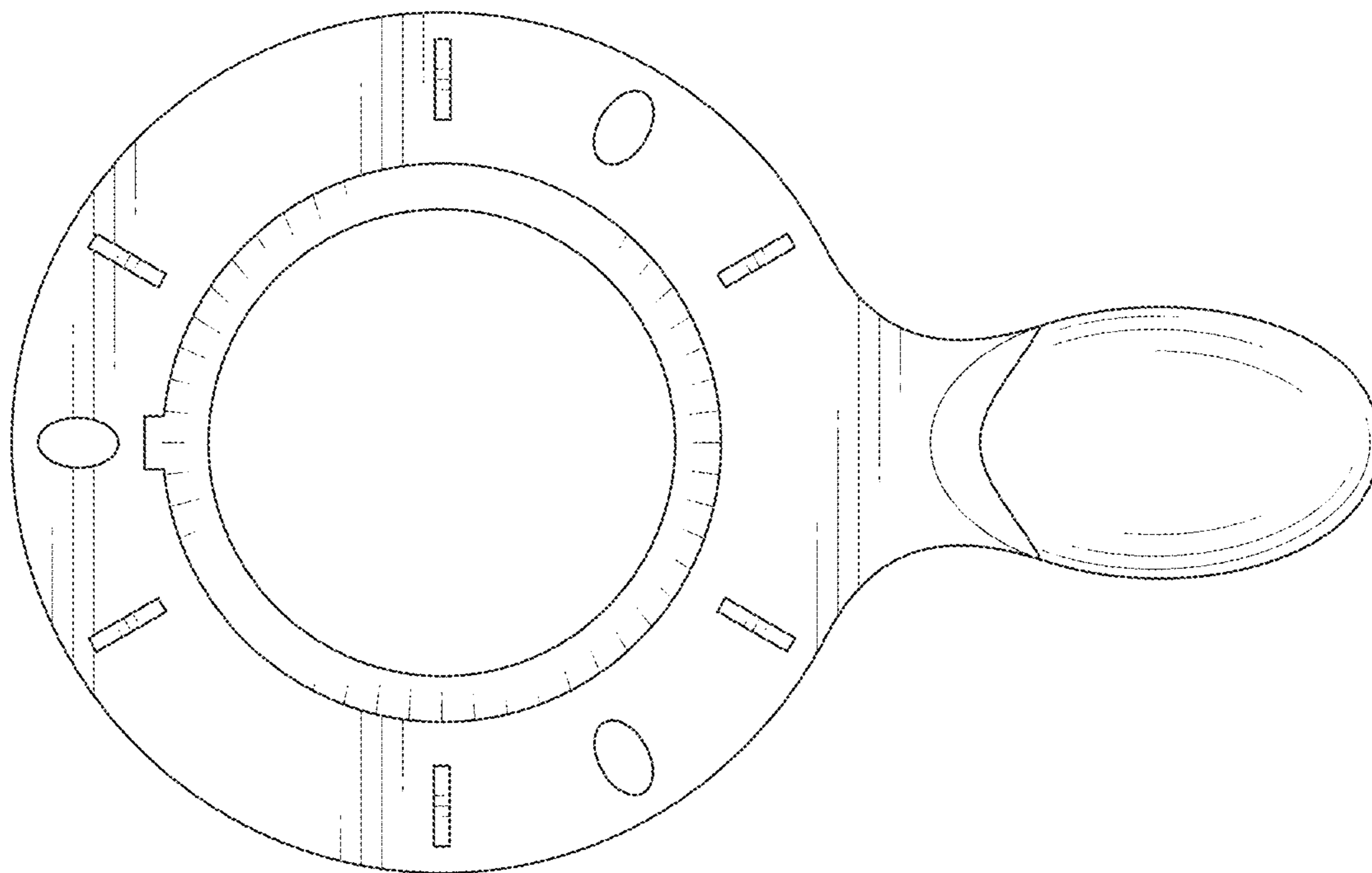
*Fig. 4*



*Fig. 5*



*Fig. 6*



*Fig. 7*