



US00D965138S

(12) **United States Design Patent** (10) **Patent No.:** **US D965,138 S**
Slaby et al. (45) **Date of Patent:** **** Sep. 27, 2022**

(54) **INFUSION PUMP WITH RECHARGEABLE BATTERY**

(71) Applicants: **Baxter International Inc.**, Deerfield, IL (US); **Baxter Healthcare SA**, Glattpark (CH)

(72) Inventors: **Jiri Slaby**, Buffalo Grove, IL (US); **Kevin Boron**, Chicago, IL (US); **Partha Chandrakant**, Hawthorn Woods, IL (US); **Robert Cuevas**, Twin Lakes, WI (US); **Mark Luzbetak**, Kildeer, IL (US); **Steve Pippin**, Libertyville, IL (US); **Raymond Kan**, Lake Forest, IL (US); **Paul Duncan**, Northfield, IL (US)

(73) Assignees: **Baxter International Inc.**, Deerfield, IL (US); **Baxter Healthcare SA**

(**) Term: **15 Years**

(21) Appl. No.: **29/690,794**

(22) Filed: **May 10, 2019**

Related U.S. Application Data

(63) Continuation-in-part of application No. 15/855,550, filed on Dec. 27, 2017, now Pat. No. 10,758,669, and a continuation of application No. 15/855,536, filed on Dec. 27, 2017, now Pat. No. 10,648,564.

(51) **LOC (13) Cl.** **24-02**

(52) **U.S. Cl.**
USPC **D24/111**

(58) **Field of Classification Search**
USPC D24/107, 108, 111, 169, 185, 186
CPC A61M 5/142; A61M 5/1452; A61M 5/168;
A61M 5/16886; A61M 2205/502; A61M
2205/505; A61M 2205/3331; A61M
2205/3334

See application file for complete search history.

(56) **References Cited**

U.S. PATENT DOCUMENTS

4,460,358	A *	7/1984	Somerville	G01F 11/088 604/245
4,525,163	A *	6/1985	Slavik	A61M 5/1689 128/DIG. 13
4,673,389	A *	6/1987	Archibald	F16K 7/06 251/9
5,242,407	A *	9/1993	Struble	A61M 5/142 417/474
D353,667	S *	12/1994	Tsubota	D24/111
D367,527	S *	2/1996	Marston	D24/111
5,868,712	A *	2/1999	Briggs	A61M 5/365 417/63

(Continued)

Primary Examiner — Richard Kearney

Assistant Examiner — Michael Hoffman

(74) *Attorney, Agent, or Firm* — K&L Gates LLP

(57) **CLAIM**

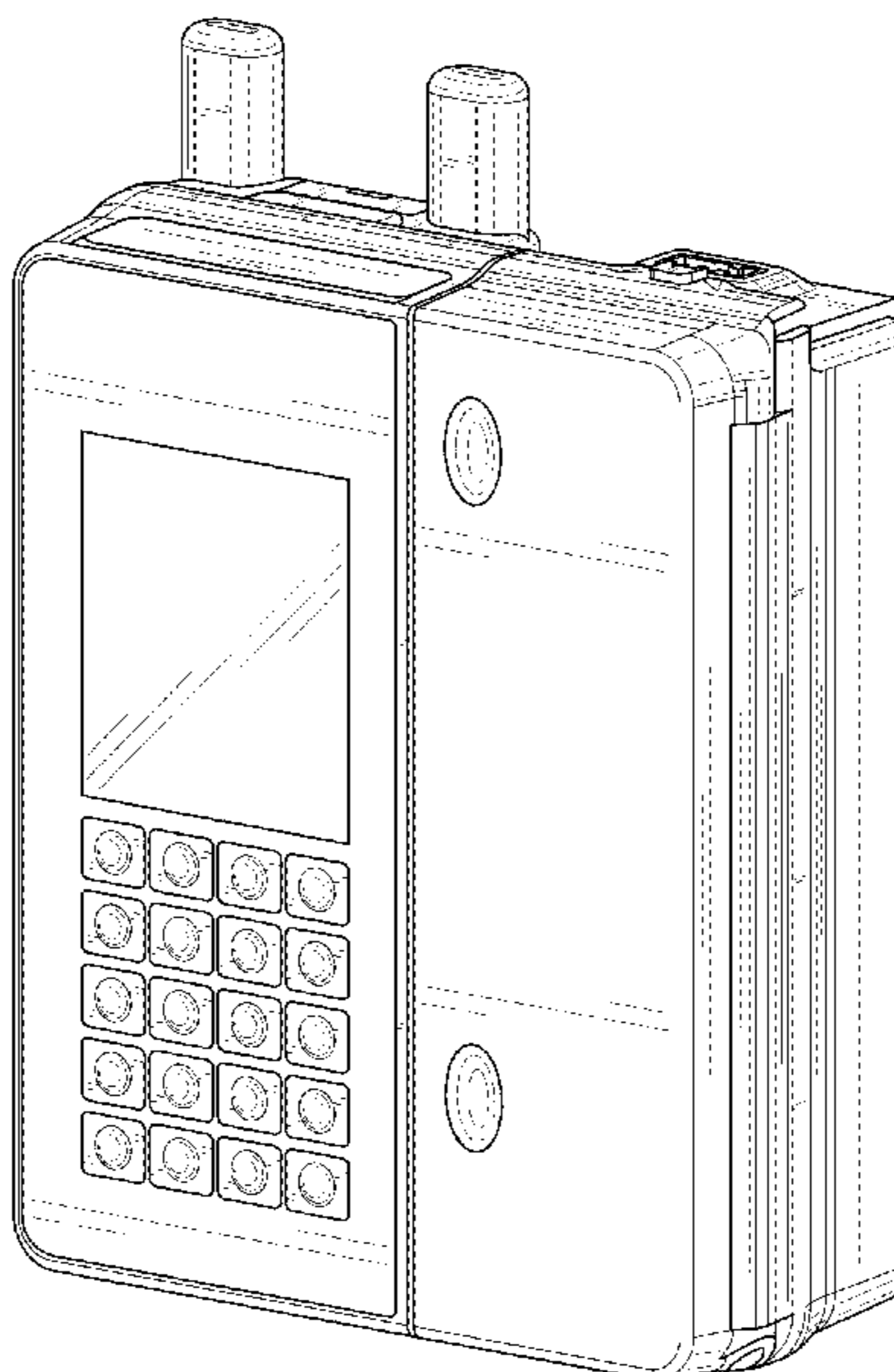
The ornamental design for an infusion pump with rechargeable battery, as shown and described herein.

DESCRIPTION

FIG. 1 illustrates a front-perspective view of an infusion pump with rechargeable battery;
FIG. 2 illustrates a front view thereof;
FIG. 3 illustrates a rear view thereof;
FIG. 4 illustrates a left-side view thereof;
FIG. 5 illustrates a right-side view thereof;
FIG. 6 illustrates a top-plan view thereof; and,
FIG. 7 illustrates a bottom-plan view thereof.

Any broken lines in the drawings are for illustrative purposes only and form no part of the claimed design. Additionally, the infusion pump with rechargeable battery is not limited to the scale shown herein.

1 Claim, 7 Drawing Sheets



(56)

References Cited

U.S. PATENT DOCUMENTS

6,172,479 B1 * 1/2001 Barton H02J 7/36
320/132
6,503,221 B1 * 1/2003 Briggs F04B 43/08
604/67
9,833,569 B2 * 12/2017 Gray H01M 50/213
D854,145 S * 7/2019 Collins D24/111
2013/0192380 A1 * 8/2013 Bivans A61M 5/14228
73/781
2018/0185569 A1 * 7/2018 Slaby A61M 39/288
2018/0187782 A1 * 7/2018 Slaby F16J 15/104
2019/0348160 A1 * 11/2019 Hevelyn G16H 20/10
2020/0353157 A1 * 11/2020 Slaby A61M 5/14212

* cited by examiner

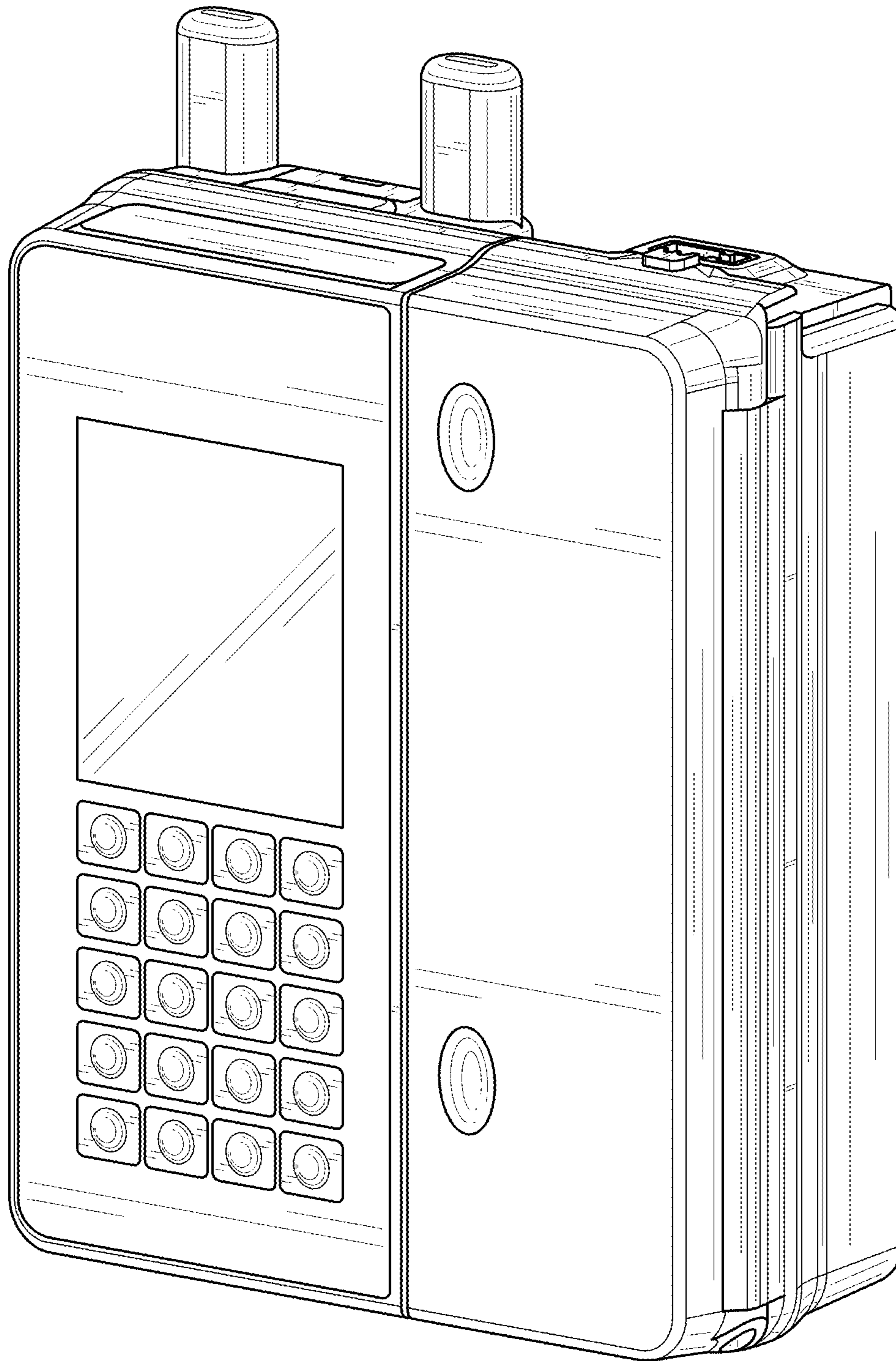


FIG. 1

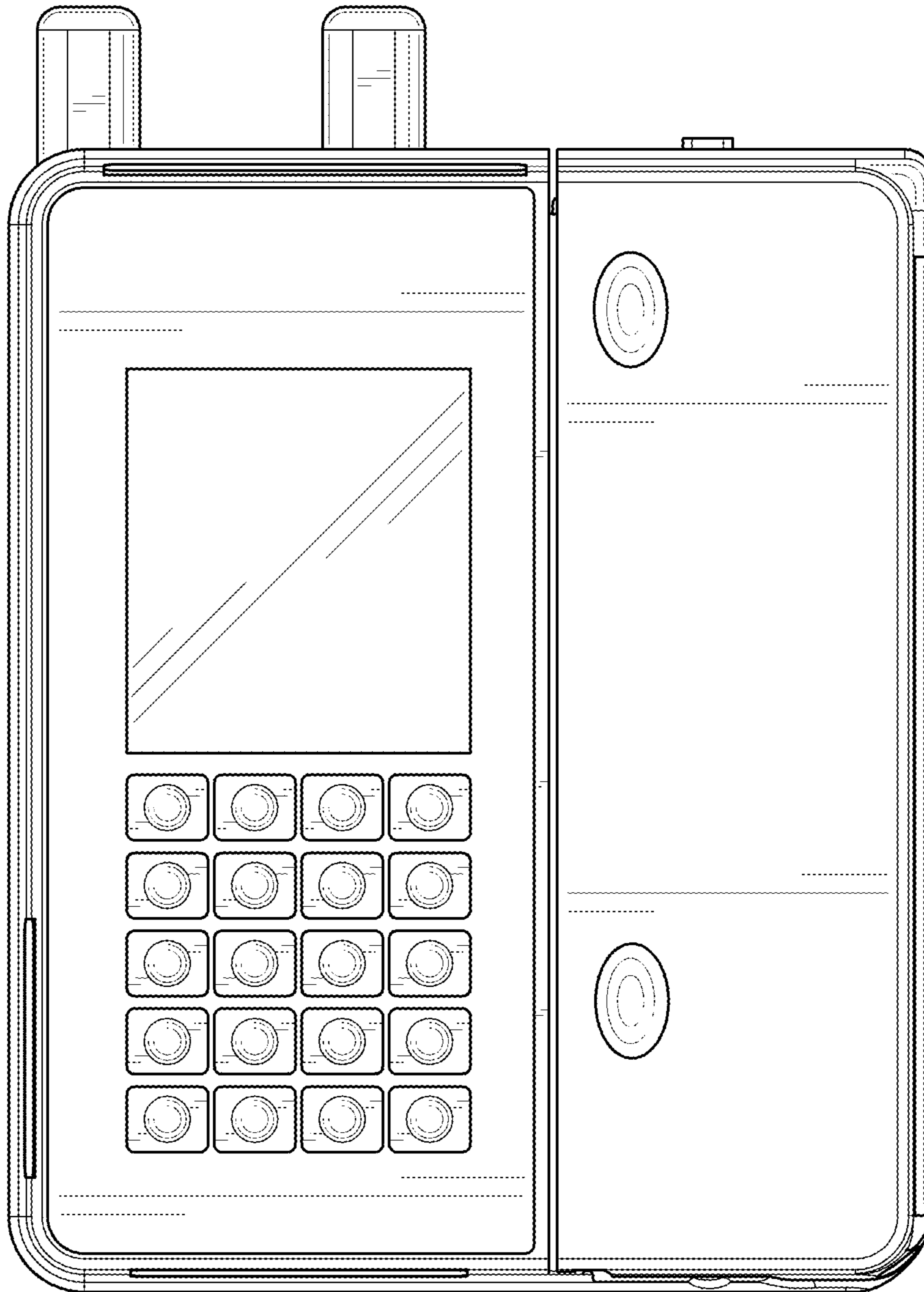


FIG. 2

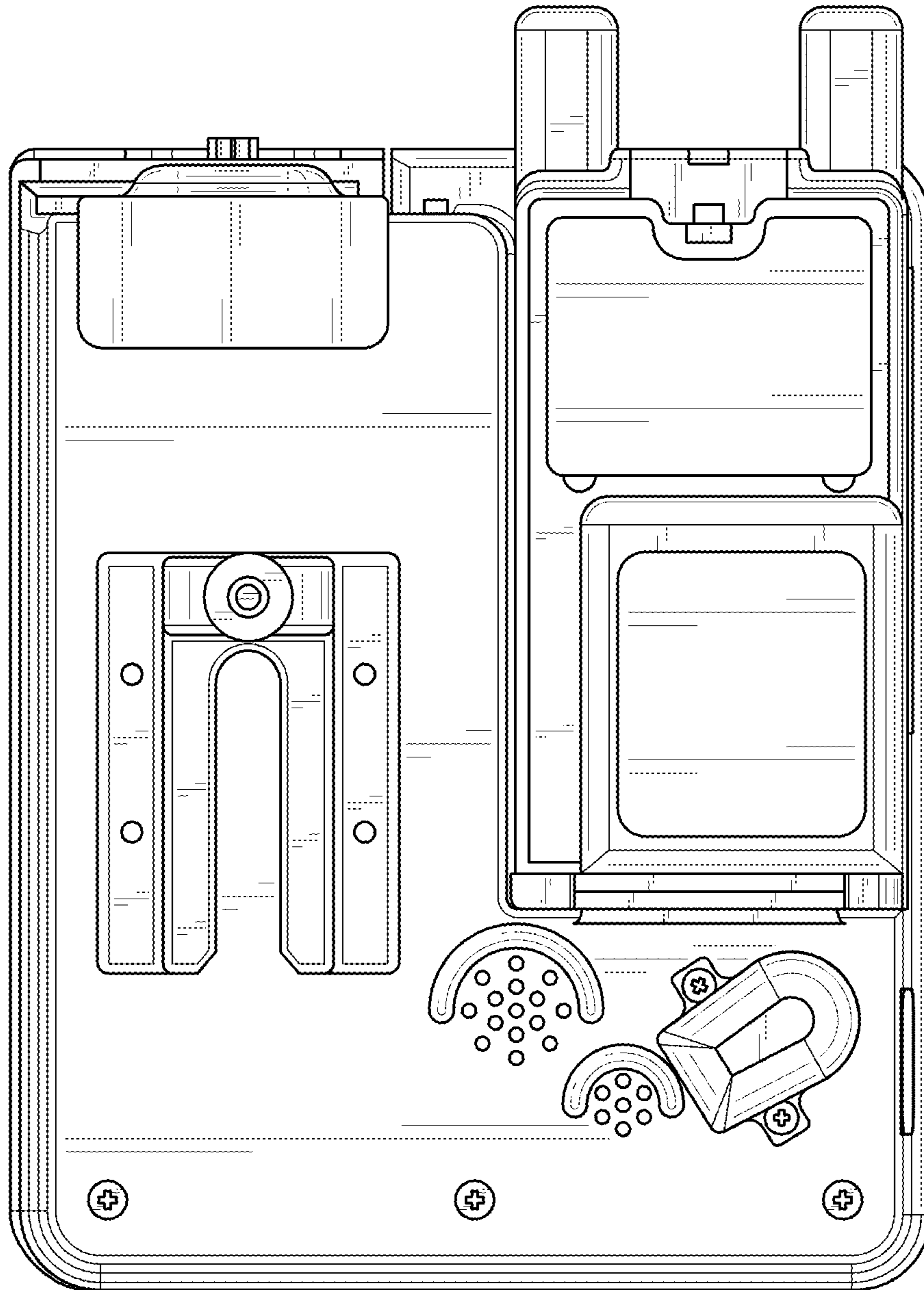


FIG. 3

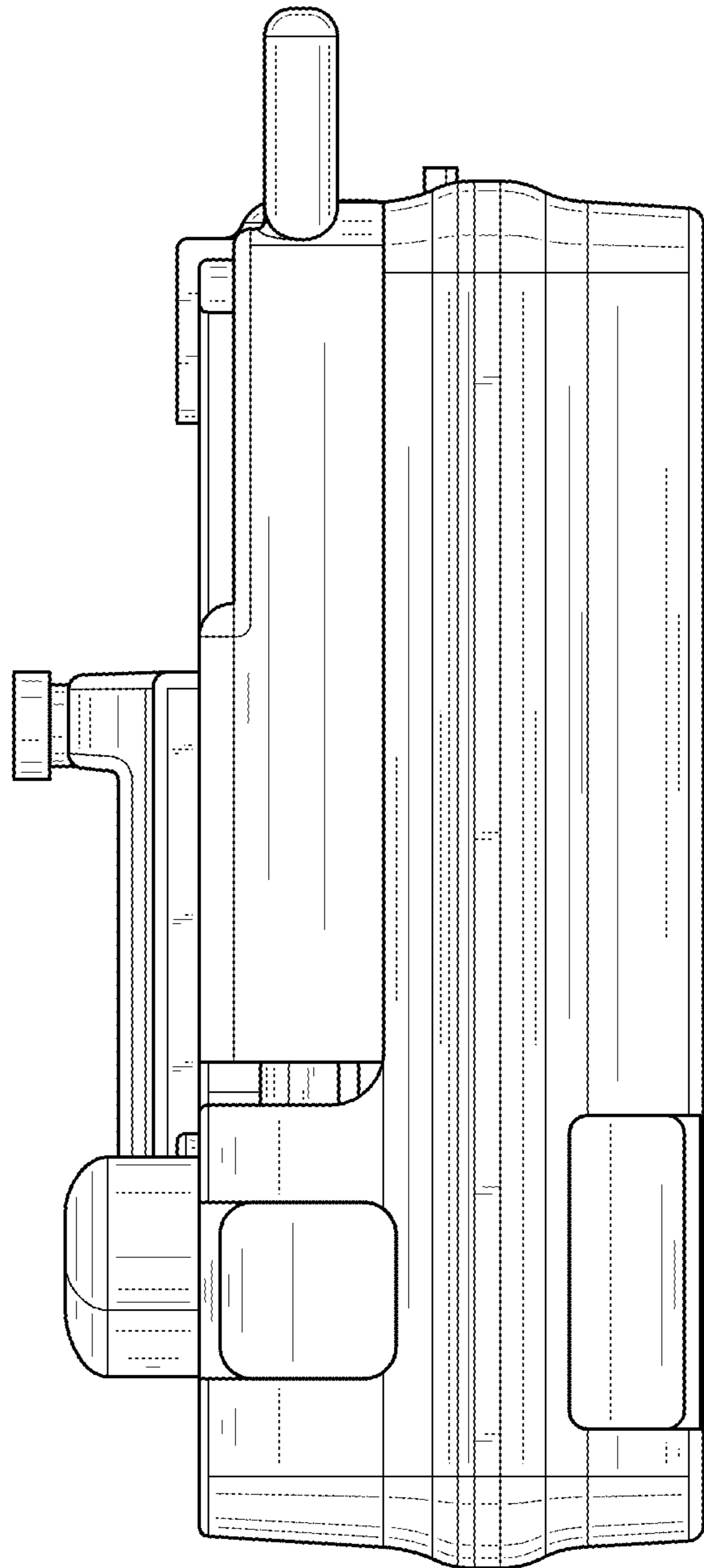


FIG. 4

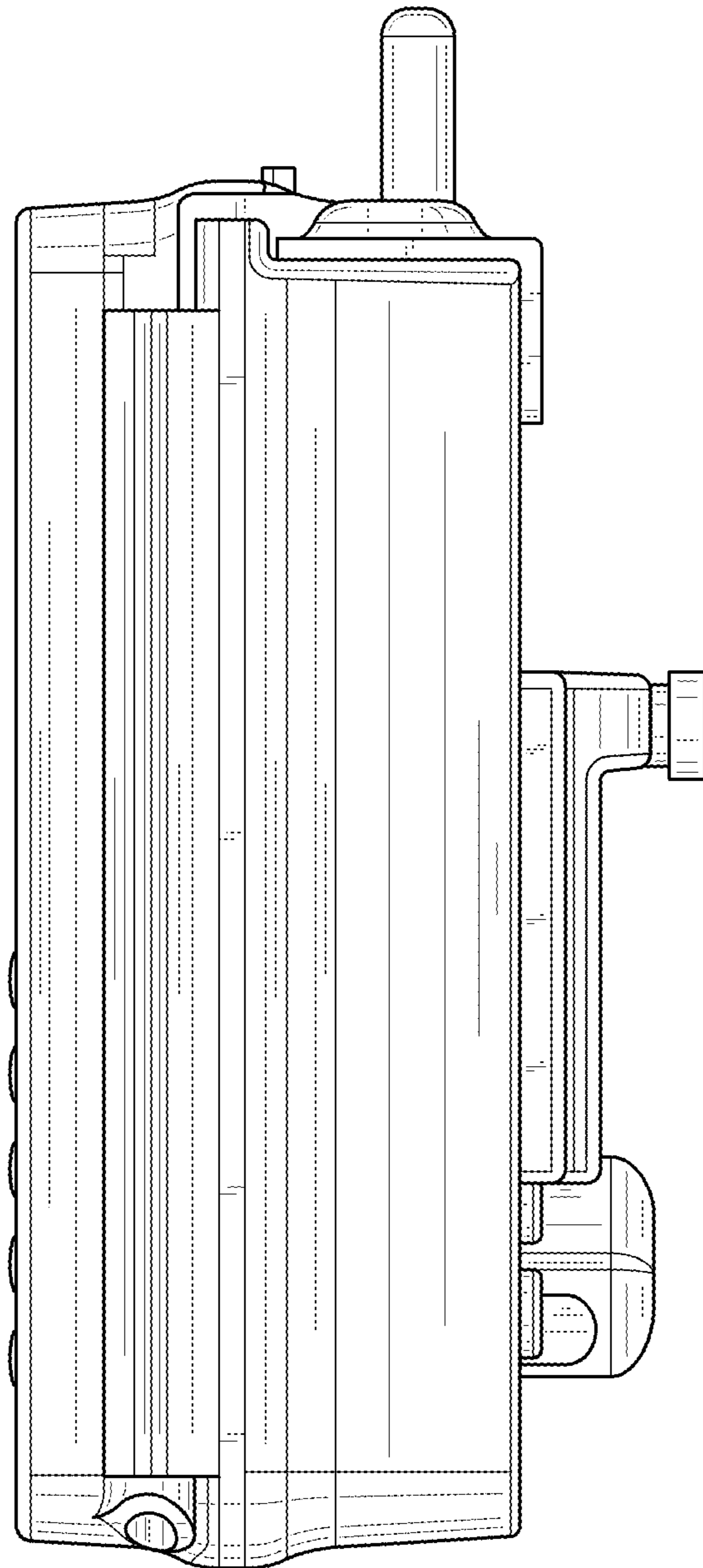


FIG. 5

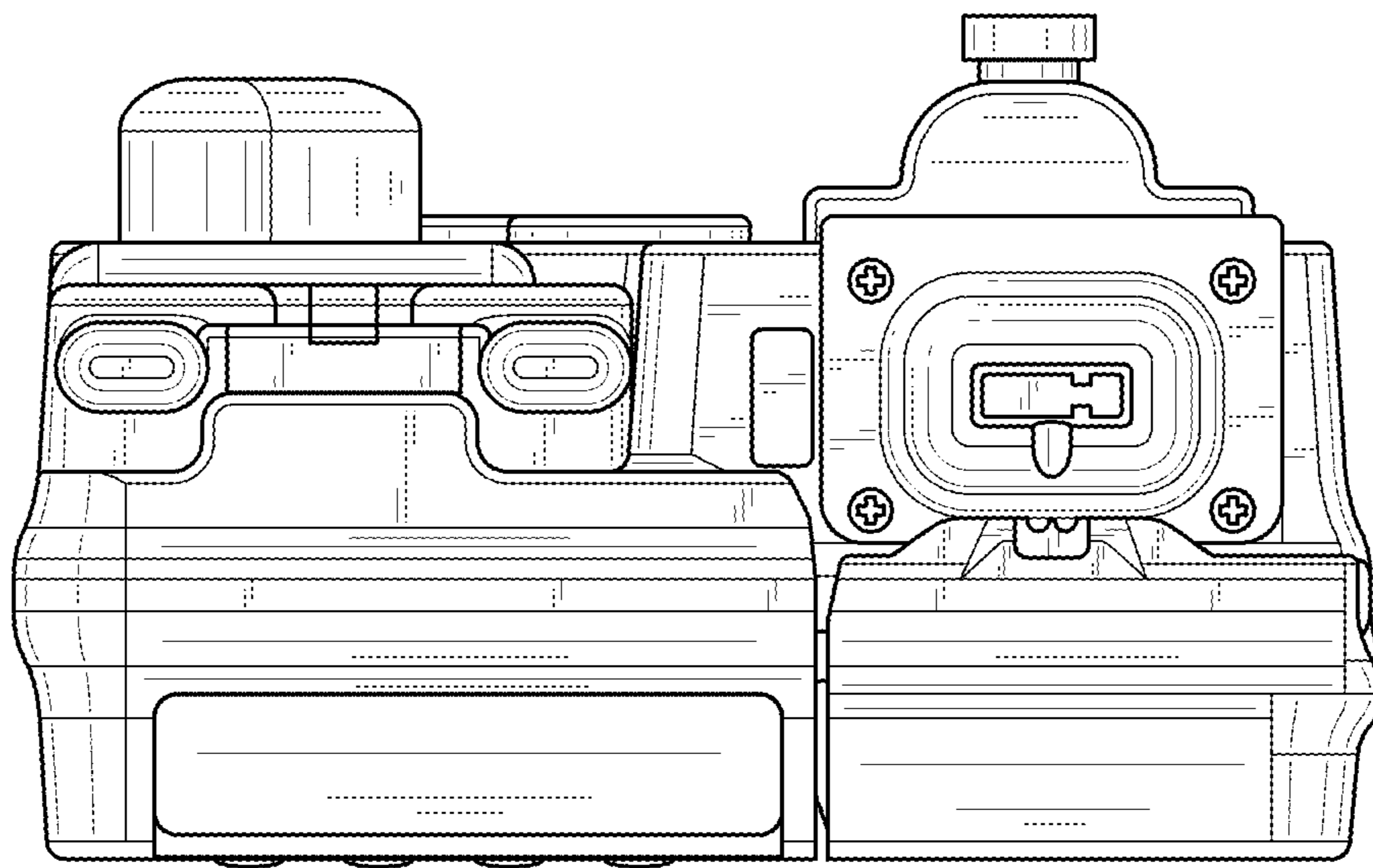


FIG. 6

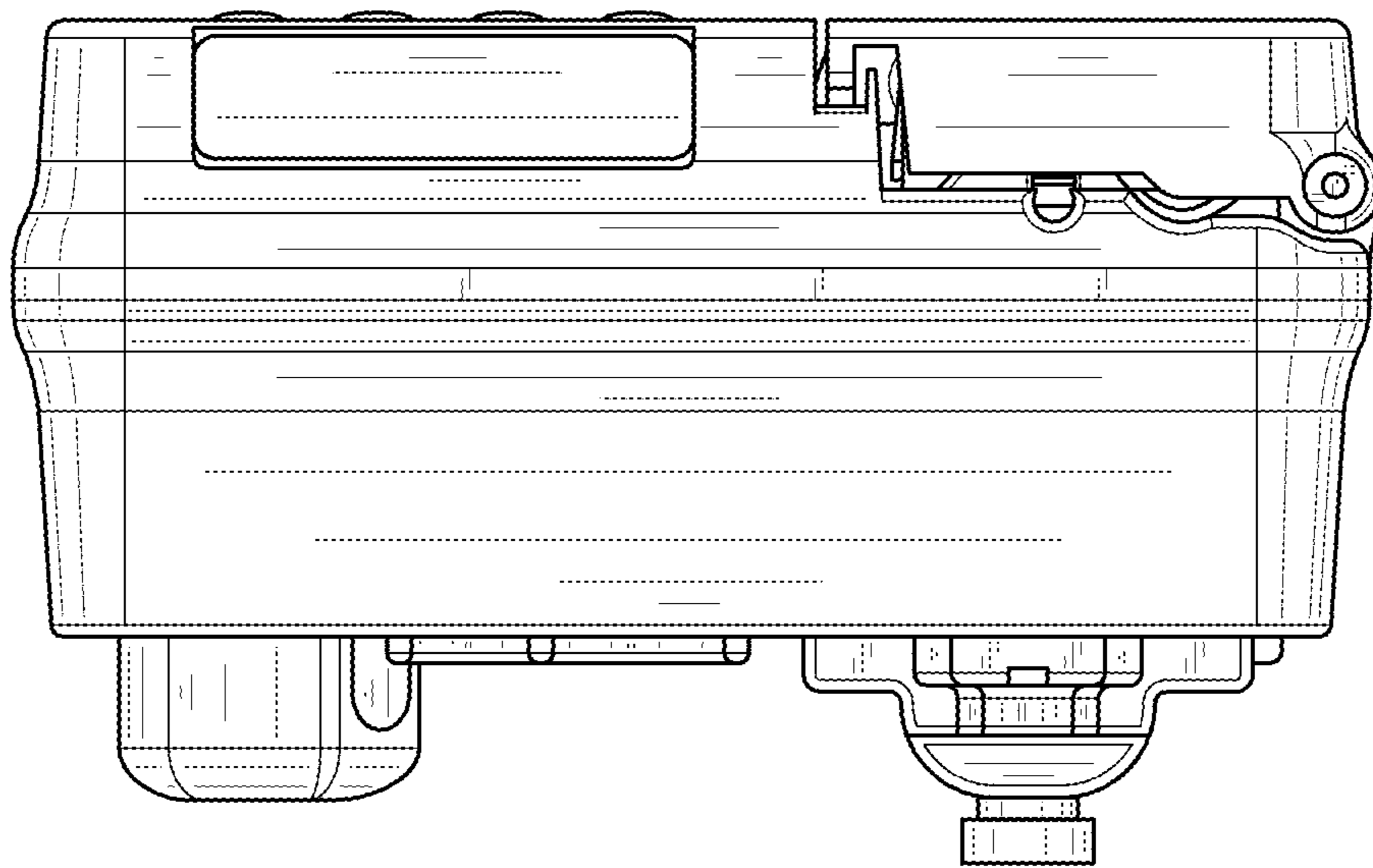


FIG. 7