



US00D965136S

(12) **United States Design Patent**
Feng

(10) **Patent No.: US D965,136 S**

(45) **Date of Patent: ** Sep. 27, 2022**

(54) **BREAST PUMP**

FOREIGN PATENT DOCUMENTS

(71) Applicant: **Chunyi Feng**, Guilin (CN)

CN 306676339 * 7/2021

(72) Inventor: **Chunyi Feng**, Guilin (CN)

CN 307312120 * 5/2022

CN 307312139 * 5/2022

GB 6188192 * 1/2022

(**) Term: **15 Years**

OTHER PUBLICATIONS

(21) Appl. No.: **29/820,891**

Befano (available Oct. 15, 2021 [online]) Retrived from the internet Jul. 27, 2022 from URL: <https://www.amazon.com/Befano-Wearable-Hands-Free-Breastpump-Breastfeeding/dp/B09JKCG41P/> (Year: 2021).*

(22) Filed: **Dec. 24, 2021**

Bellababy (available Jan. 16, 2022 [online]) Retrived from the internet Jul. 27, 2022 from URL: <https://www.amazon.com/Bellababy-Wearable-Assemble-Disassemble-Rechargeable/dp/B09QJVMVQQ/> (Year: 2022).*

(51) **LOC (13) Cl.** **24-02**

(52) **U.S. Cl.**

USPC **D24/109**

(58) **Field of Classification Search**

USPC D24/107-109, 111, 113, 127, 185, 193,
D24/197; D7/700; D9/500, 549;
D13/168; D14/203.2-203.8; 604/74-76,
604/346

CPC A61M 1/00; A61M 1/06; A61M 1/062;
A61M 1/064; A61M 1/066; A61M 1/067;
A61M 1/069; A61M 1/80; A61M 1/82;
A61J 9/00; A61J 13/00; A61J 2200/50;
A61J 2200/76

See application file for complete search history.

* cited by examiner

Primary Examiner — Richard Kearney
Assistant Examiner — Michael Hoffman

(56) **References Cited**

U.S. PATENT DOCUMENTS

D234,642 S * 3/1975 Lee D24/109
D541,228 S * 4/2007 Thursfield D13/168
7,223,255 B2 * 5/2007 Myers A61M 1/064
604/74
D565,174 S * 3/2008 Pukall D24/109
D608,762 S * 1/2010 Sheng D14/203.3
D683,843 S * 6/2013 Cudworth D24/109
D701,831 S * 4/2014 Park D13/108
D788,293 S * 5/2017 Eckstein D24/111
D808,006 S 1/2018 Zhang
D809,646 S * 2/2018 Mason D24/109
D811,392 S * 2/2018 Lu D14/240
D887,399 S * 6/2020 Zukowski D14/228
D928,119 S * 8/2021 Walter D14/216
2017/0072118 A1 * 3/2017 Makower A61M 1/06

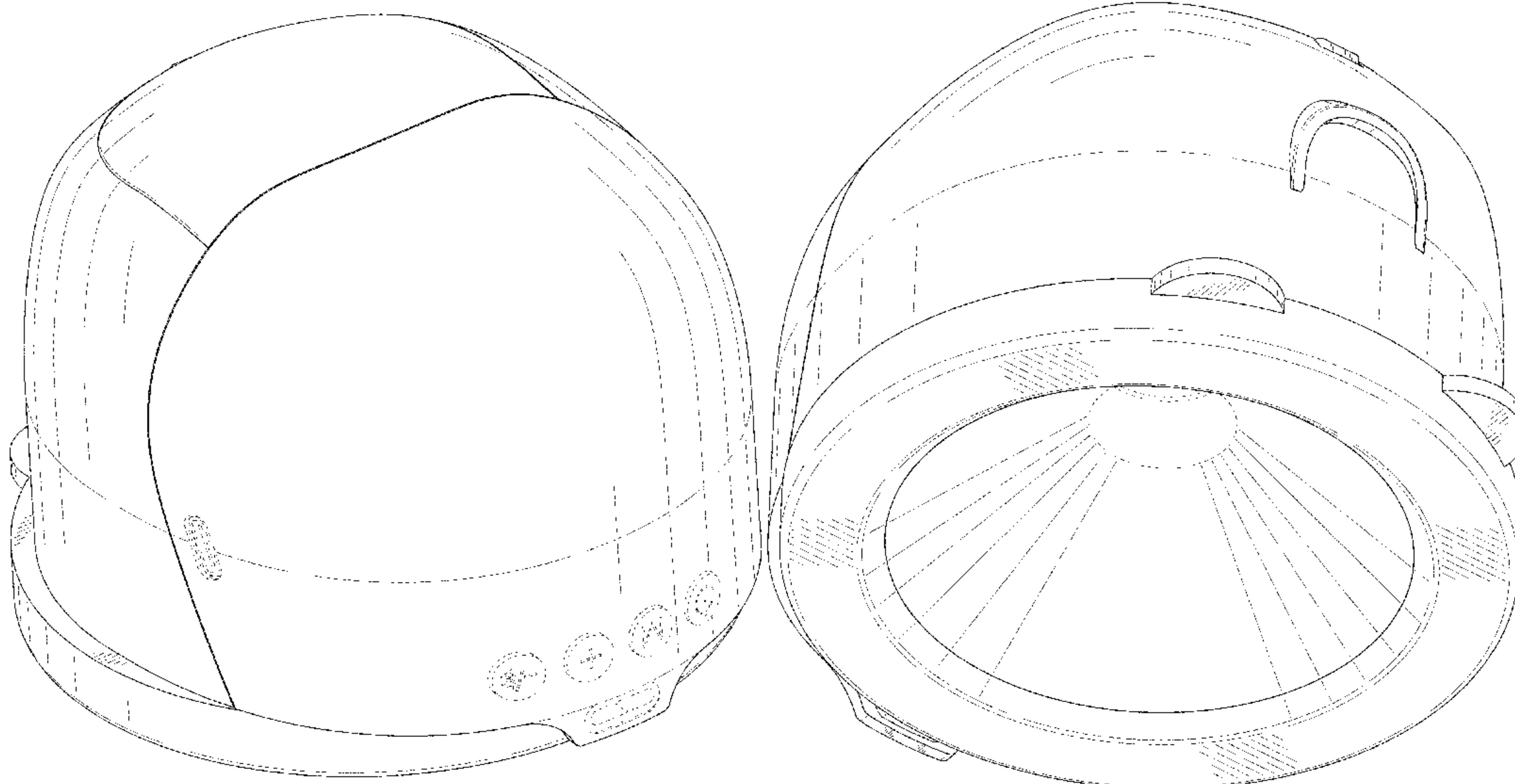
(57) **CLAIM**

The ornamental design for a breast pump, as shown and described.

DESCRIPTION

FIG. 1 is a perspective view of a breast pump showing my new design;
FIG. 2 is another perspective view thereof;
FIG. 3 is a front elevational view thereof;
FIG. 4 is a rear elevational view thereof;
FIG. 5 is a left side elevational view thereof;
FIG. 6 is a right side elevational view thereof;
FIG. 7 is a top plan view thereof; and,
FIG. 8 is a bottom plan view thereof.
The broken lines in the drawings depict portions of the breast pump that form no part of the claimed design.

1 Claim, 8 Drawing Sheets



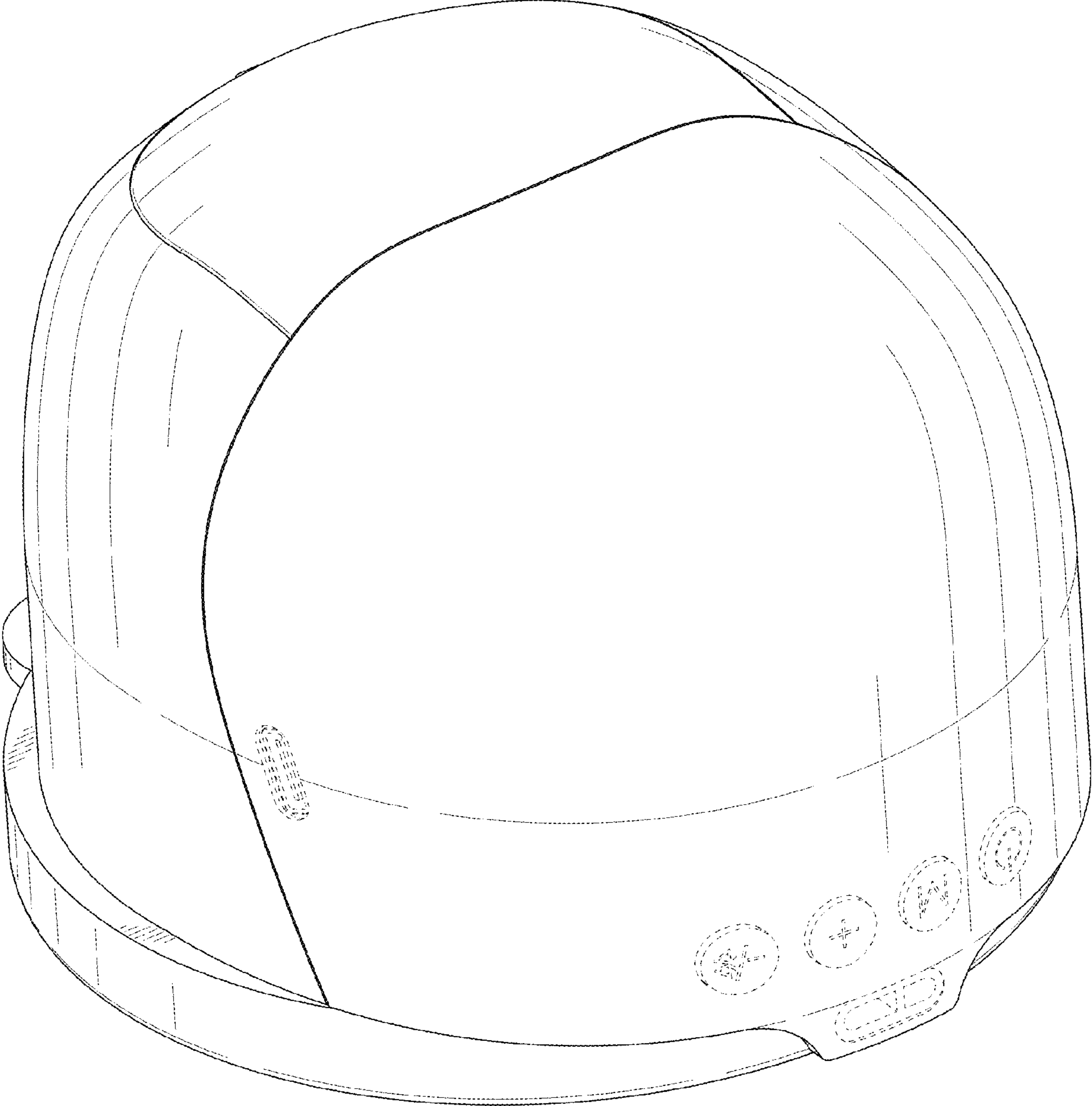


FIG. 1

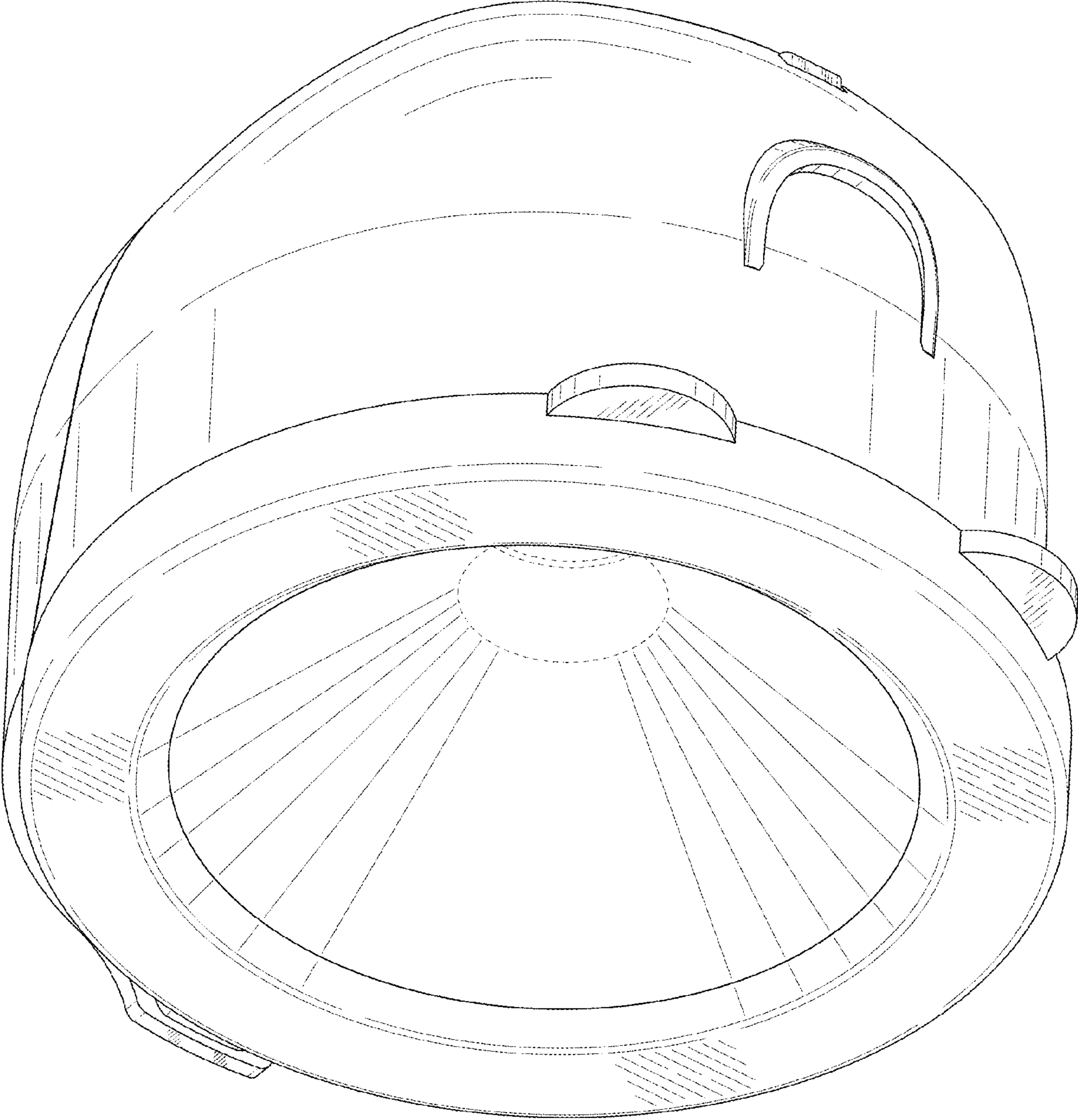


FIG. 2

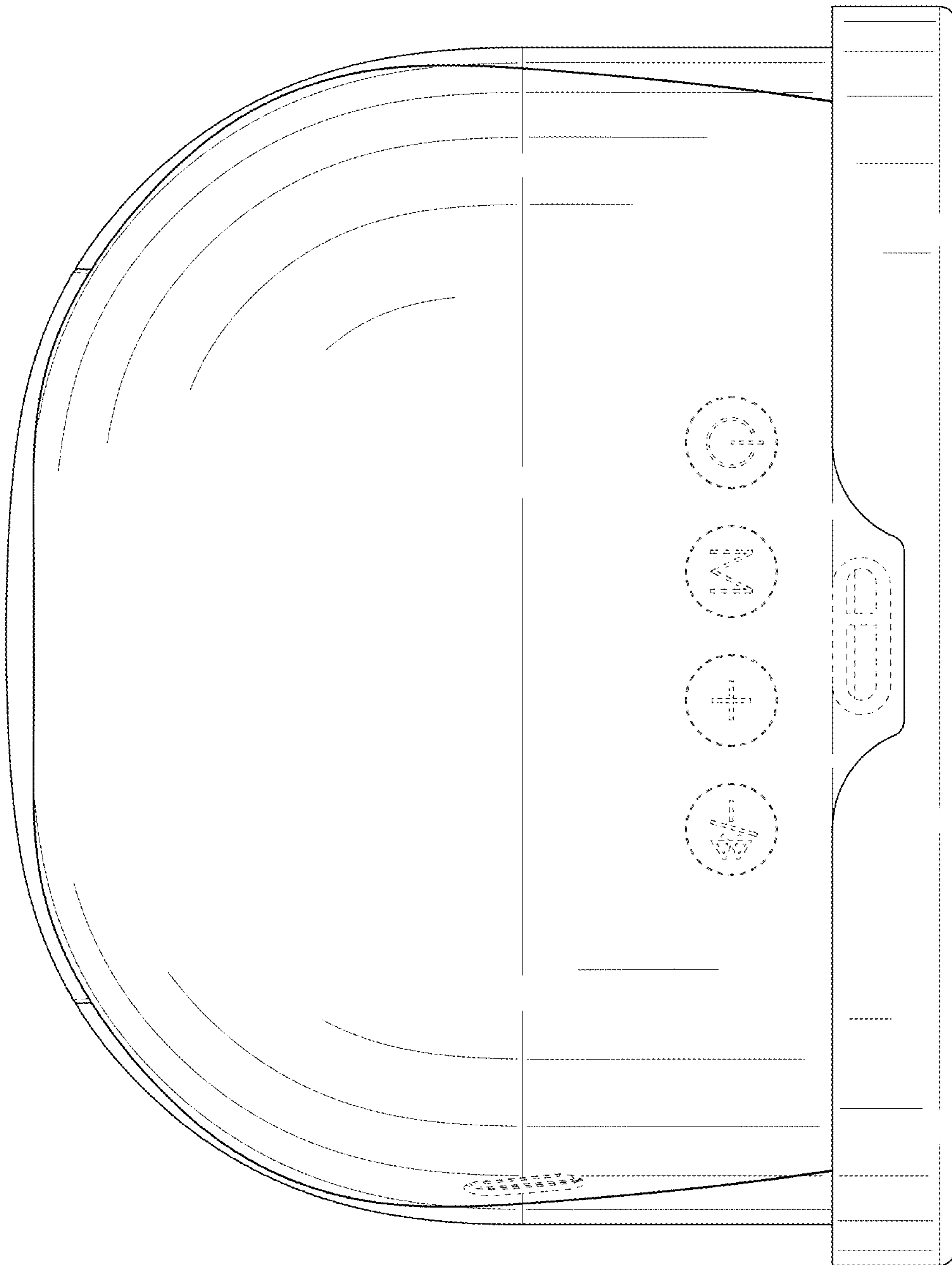


FIG. 3

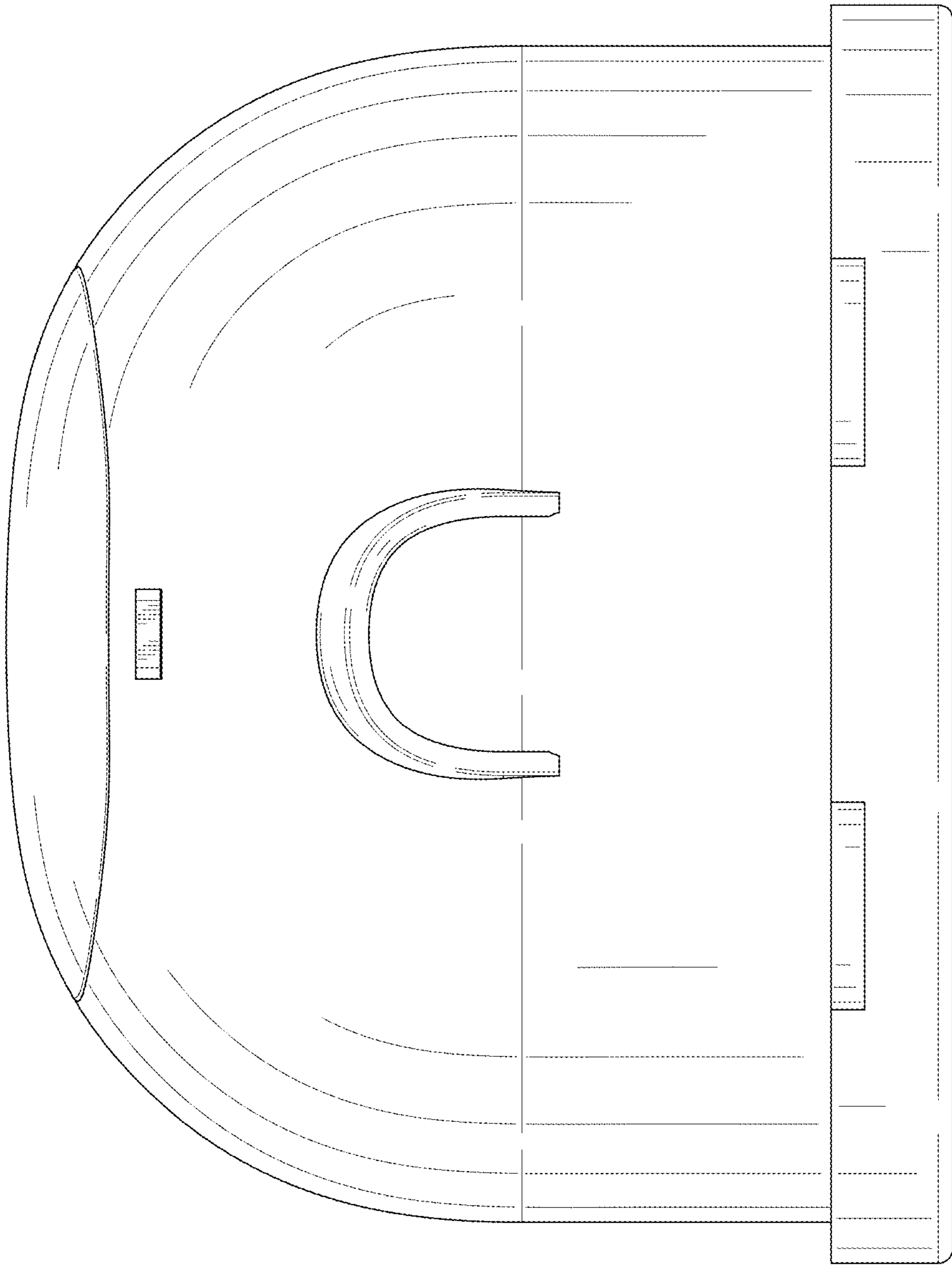


FIG. 4

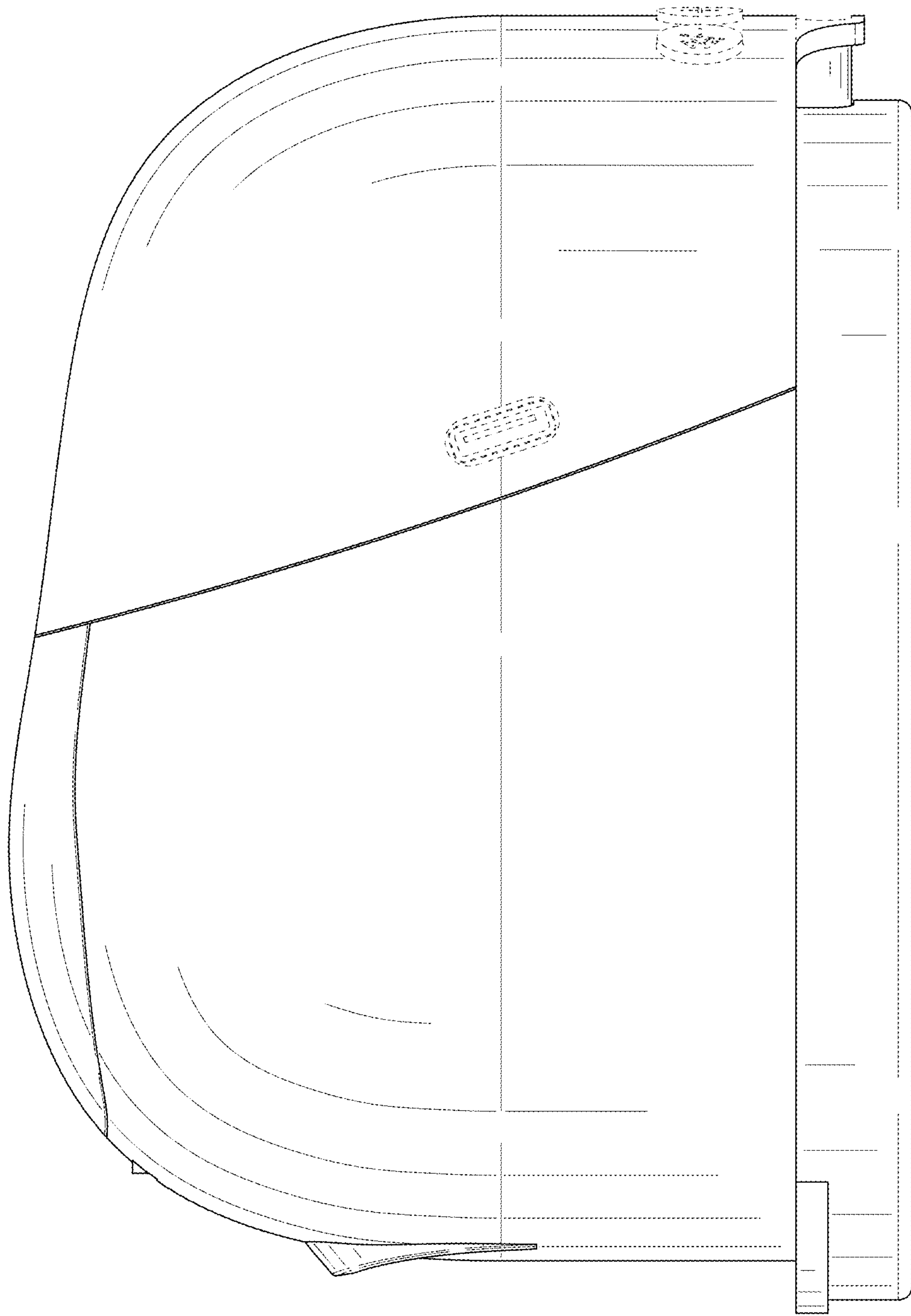


FIG. 5

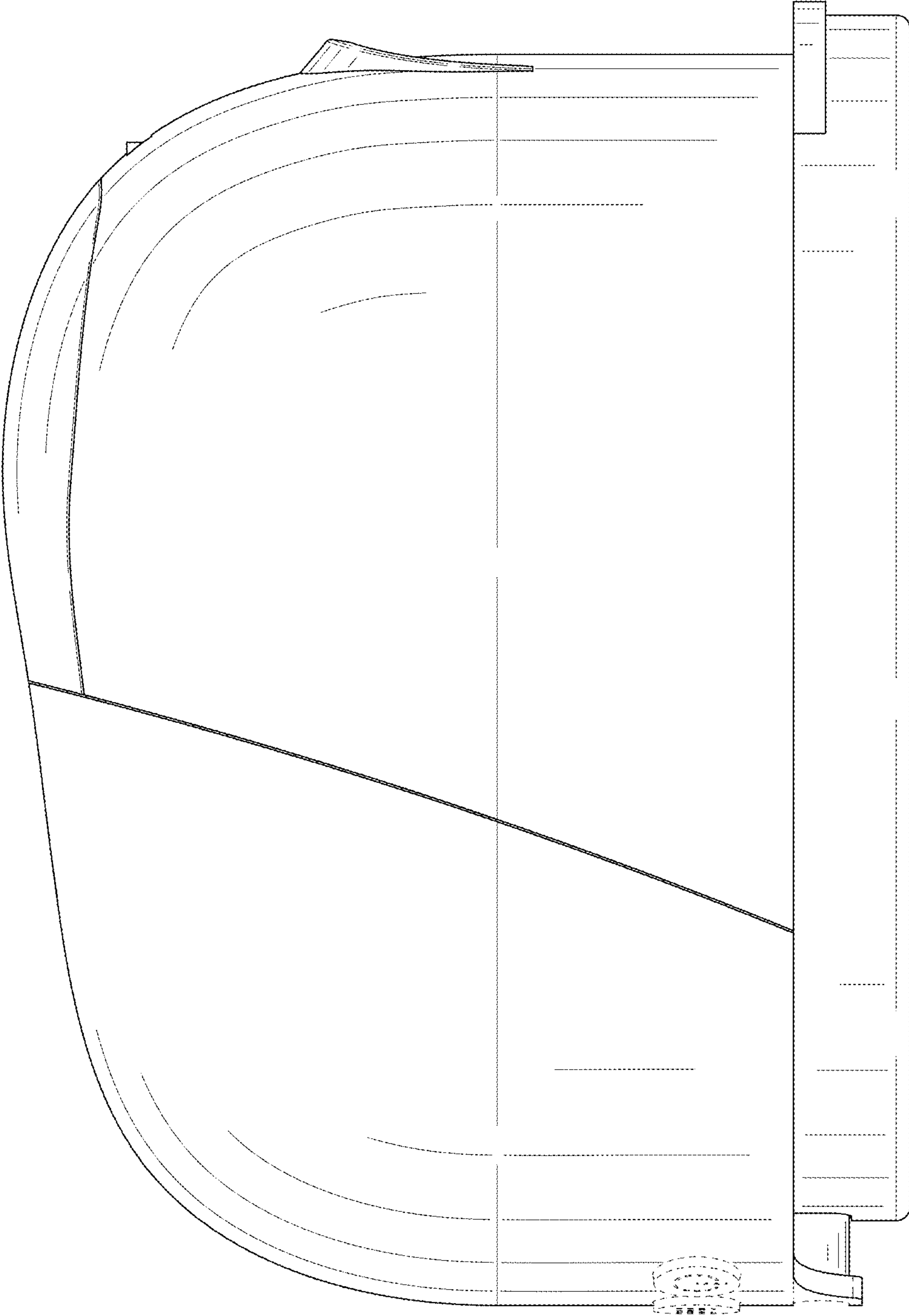


FIG. 6

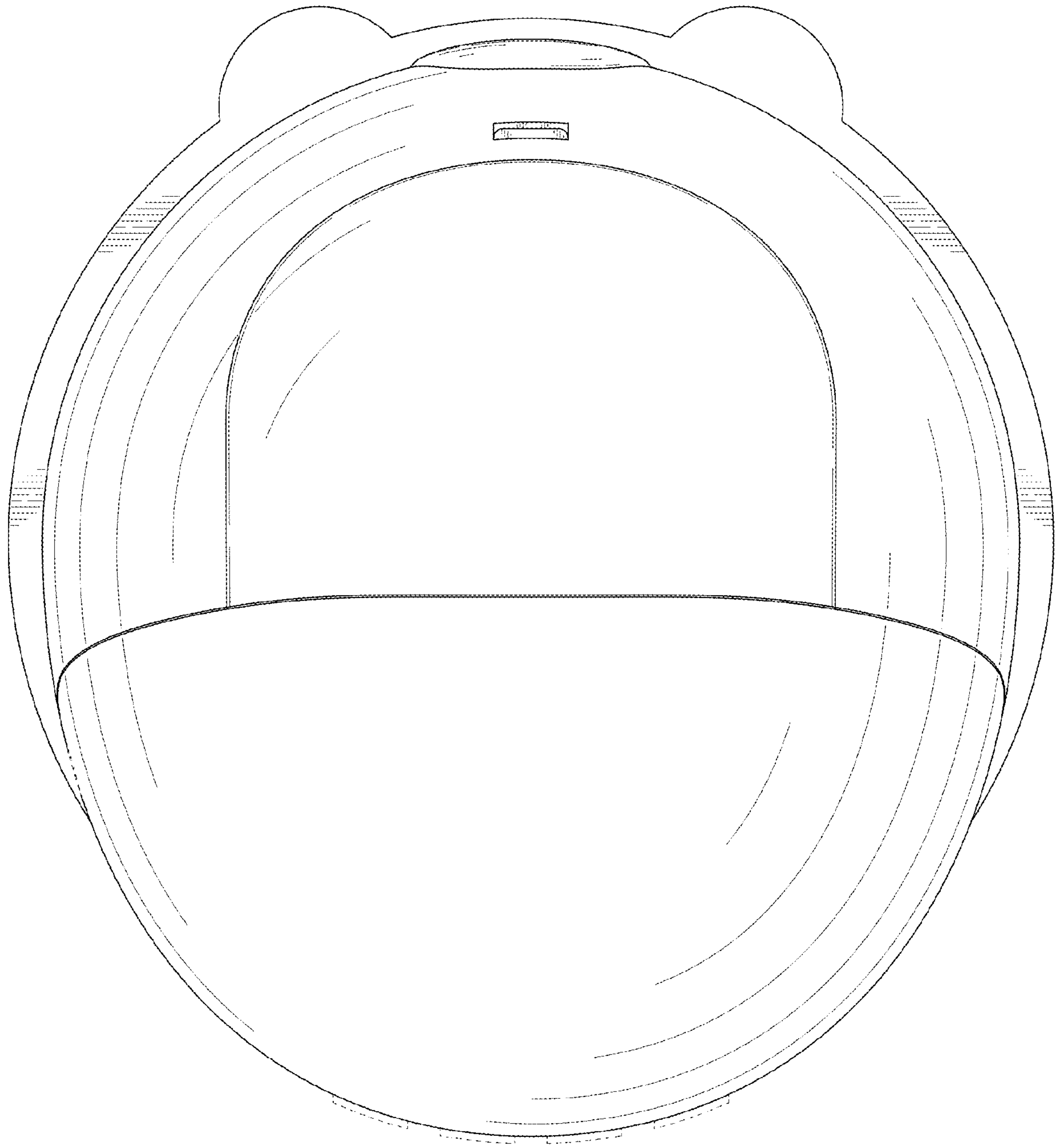


FIG. 7

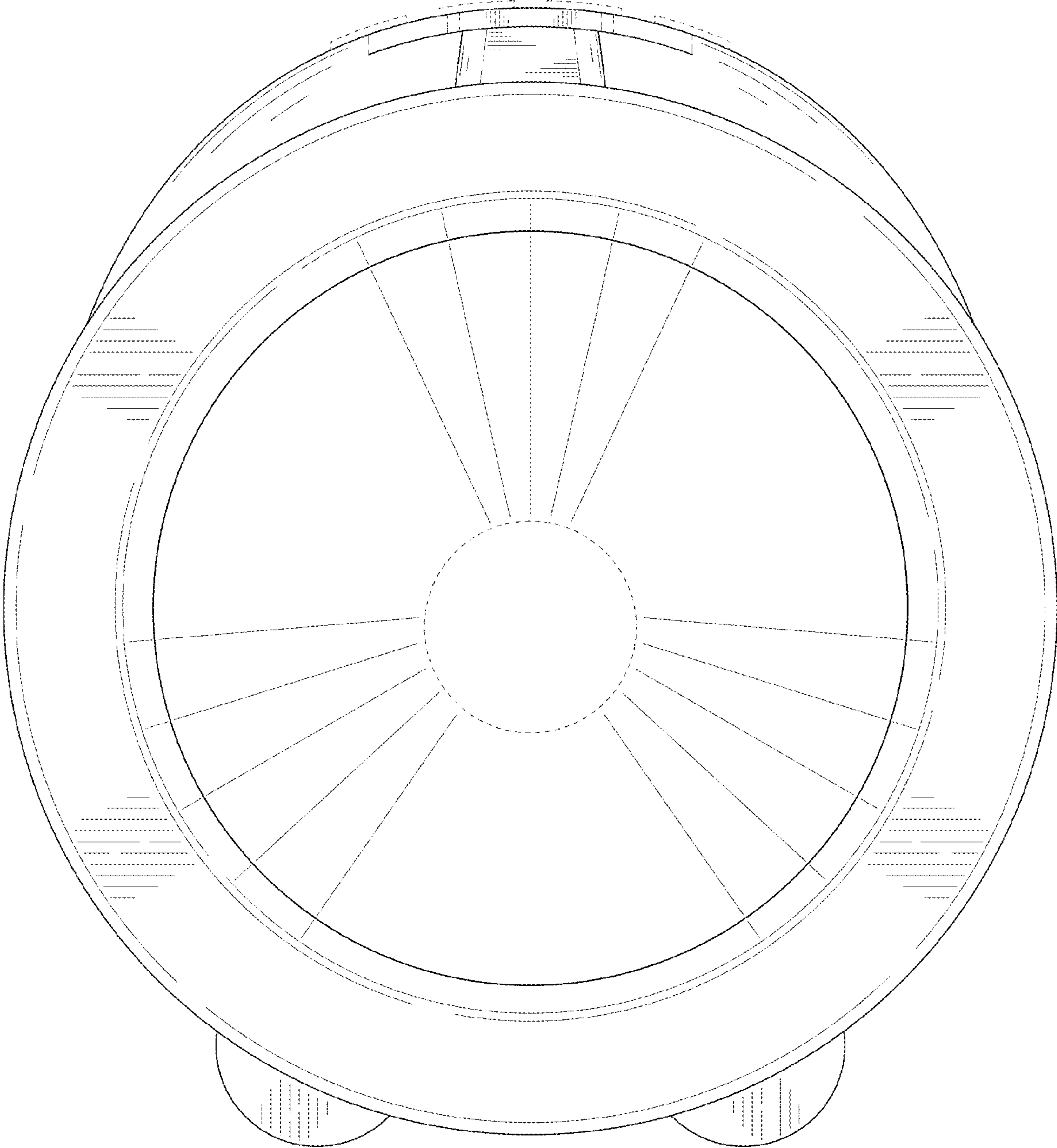


FIG. 8