



US00D965134S

(12) **United States Design Patent**
Lin

(10) **Patent No.:** **US D965,134 S**

(45) **Date of Patent:** **** Sep. 27, 2022**

(54) **FAN**

(71) Applicant: **Xiuwei Lin**, Puning (CN)

(72) Inventor: **Xiuwei Lin**, Puning (CN)

(**) Term: **15 Years**

(21) Appl. No.: **29/791,208**

(22) Filed: **Jan. 5, 2022**

(51) **LOC (13) Cl.** **23-04**

(52) **U.S. Cl.**
USPC **D23/382**

(58) **Field of Classification Search**
USPC D23/328, 332–337, 351–352, 370, 378,
D23/380–383
CPC F04D 25/0673; F04D 25/08; F04D 25/084;
F04D 25/086
See application file for complete search history.

(56) **References Cited**

U.S. PATENT DOCUMENTS

D340,516 S	*	10/1993	Too	D6/708.16
D522,124 S		5/2006	Bucher et al.		
D552,227 S		10/2007	Bucher et al.		
D727,488 S	*	4/2015	Hsu	D23/382
D754,318 S	*	4/2016	Thirouin	D23/370
D821,483 S	*	6/2018	Vitale	D16/244
D827,121 S		8/2018	Wang et al.		
D875,232 S	*	2/2020	Ediger	D23/370
D950,039 S	*	4/2022	Dean	D23/38

(56) **References Cited2**

2007/0170320 A1*		7/2007	Sun	F04D 25/08 248/177.1
------------------	--	--------	-----	-------	-------------------------

2020/0072411 A1* 3/2020 Chen G03B 17/561

* cited by examiner

Primary Examiner — Sharon S Oum

(74) *Attorney, Agent, or Firm* — Zhihua Han

(57) **CLAIM**

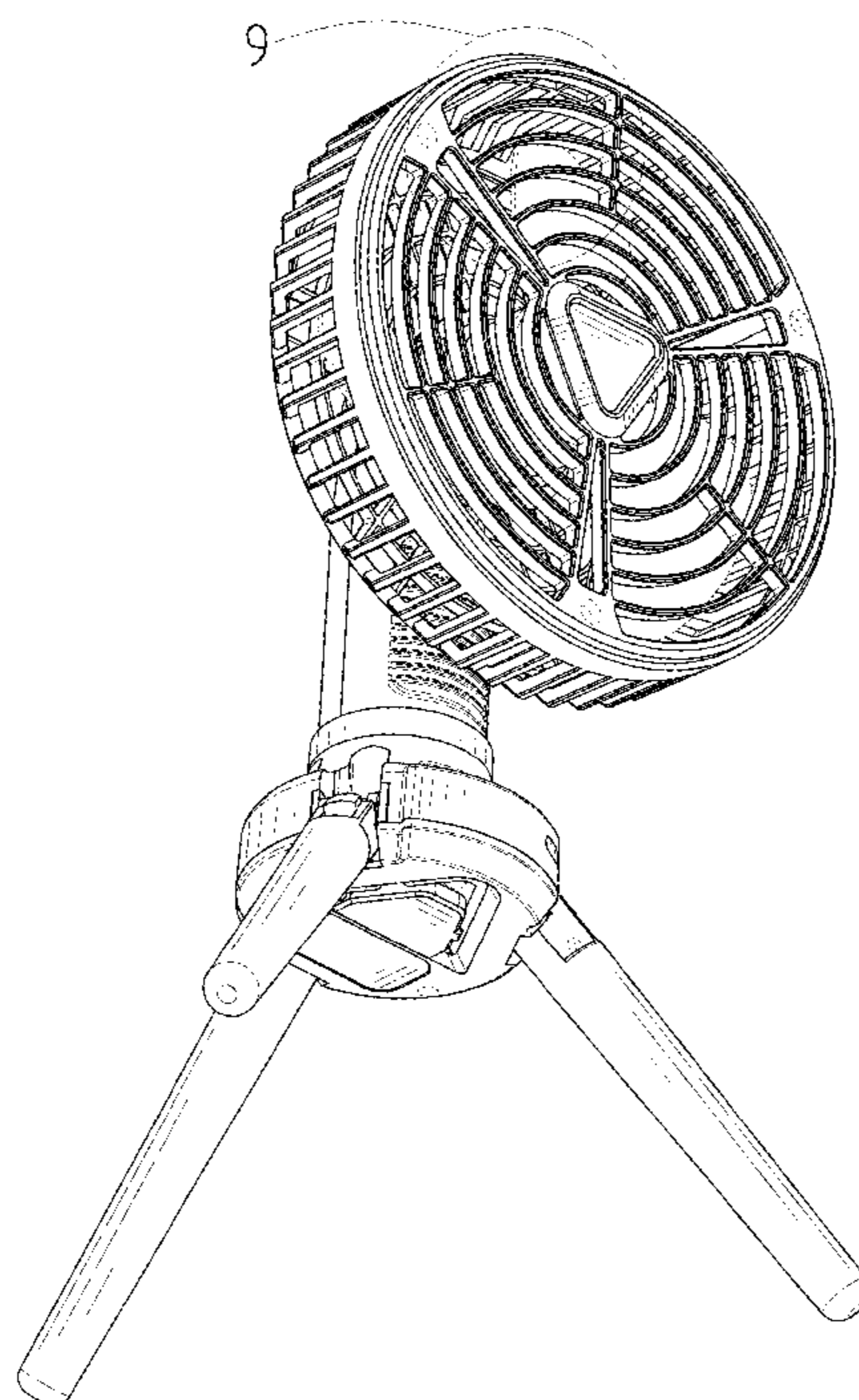
The ornamental design for a fan, as shown and described.

DESCRIPTION

FIG. 1 is a first perspective view of a fan showing my new design;
 FIG. 2 is a second perspective view thereof;
 FIG. 3 is a front view thereof;
 FIG. 4 is a back view thereof;
 FIG. 5 is a left side view thereof;
 FIG. 6 is a right side view thereof;
 FIG. 7 is a top view thereof;
 FIG. 8 is a bottom view thereof;
 FIG. 9 is an enlarged view of the selected portion in FIG. 1;
 FIG. 10 is an enlarged view of the selected portion in FIG. 2; and,
 FIG. 11 is an enlarged view of the selected portion in FIG. 2.

The dash-dash broken lines shown in the drawings depict portions of the fan in which the design is embodied that form no part of the claimed design. The dot-dash broken lines surrounding portions of the fan in FIGS. 1, 2, 9, 10, and 11 form no part of the claimed design.

1 Claim, 11 Drawing Sheets



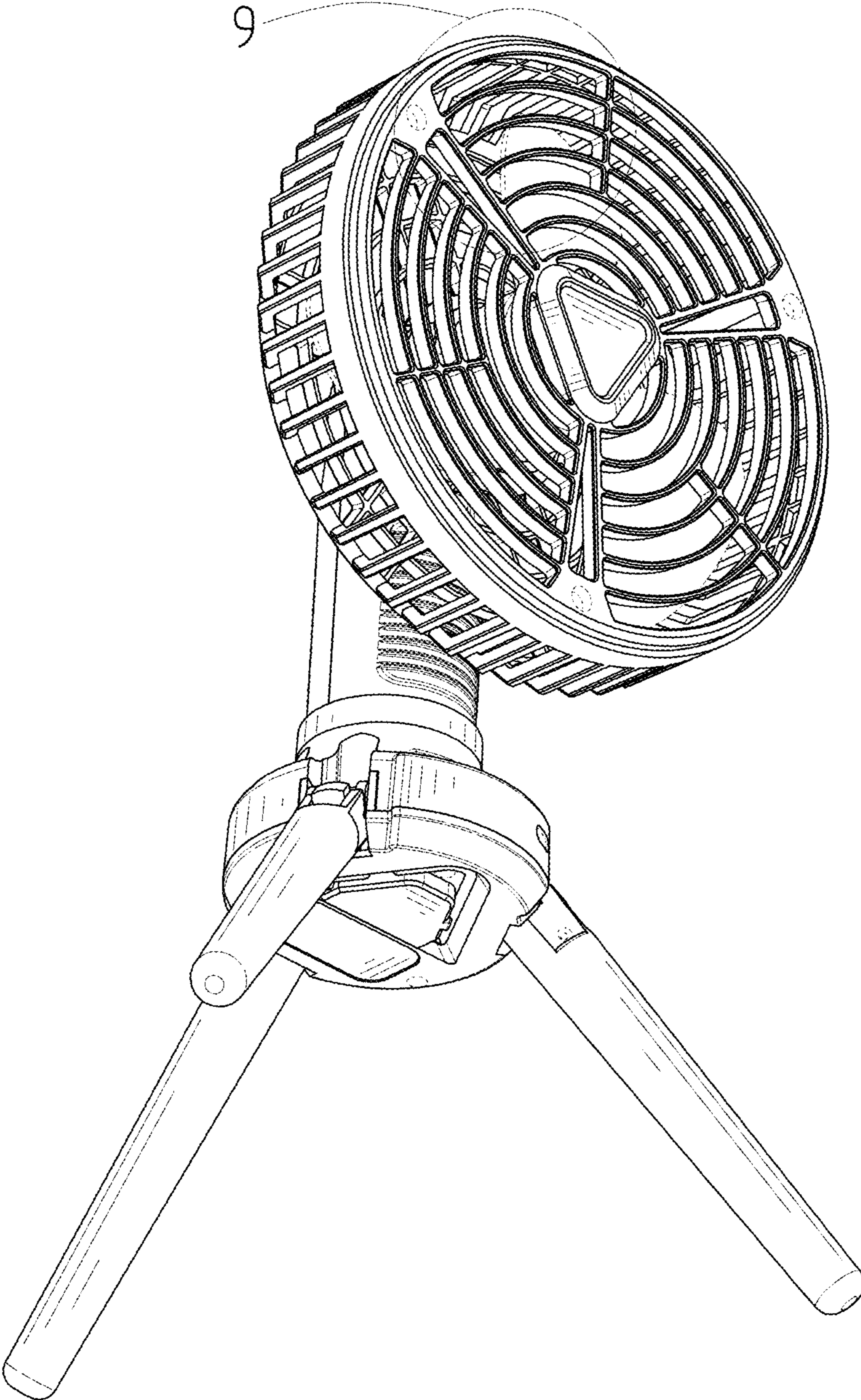


FIG. 1

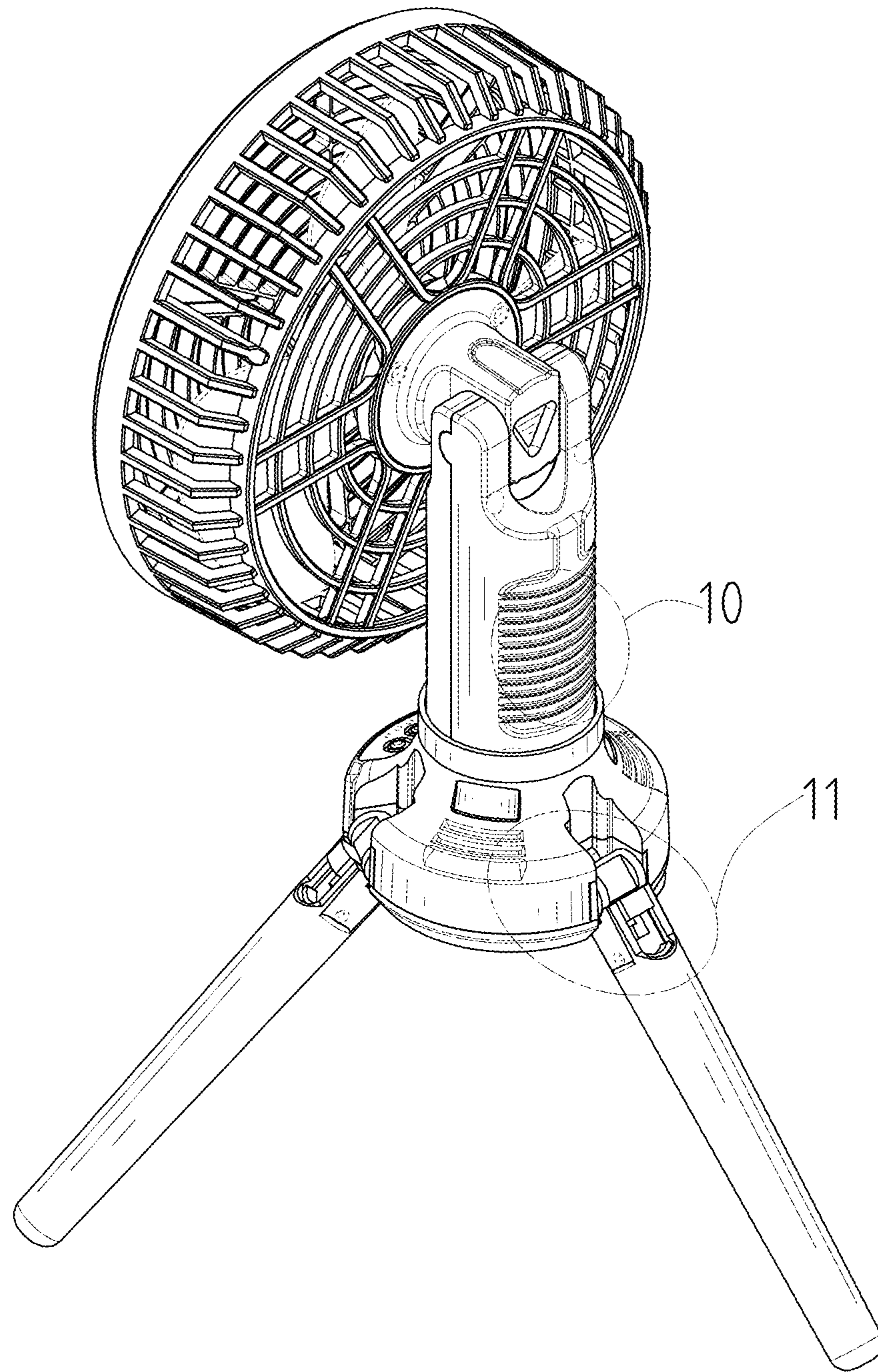


FIG. 2

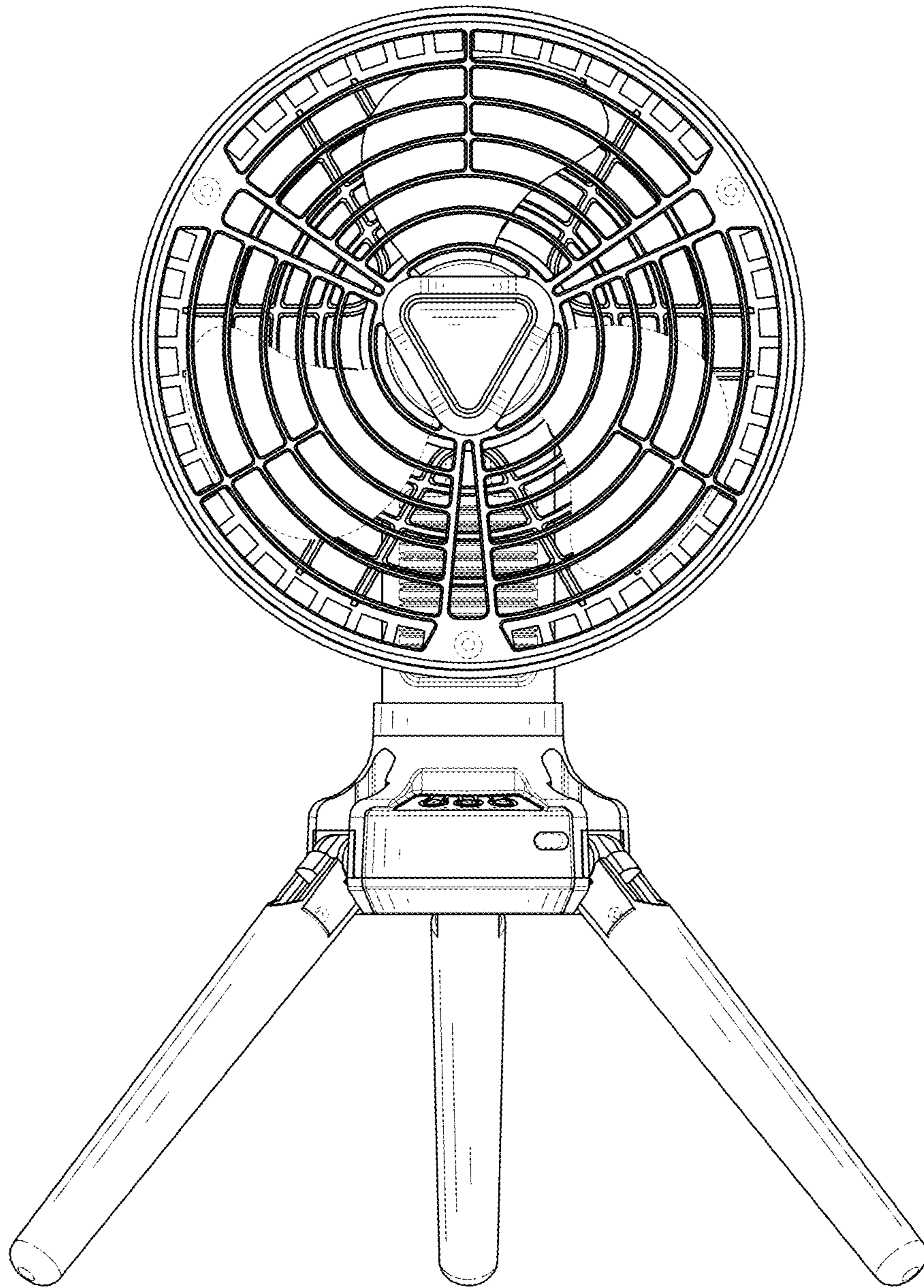


FIG. 3

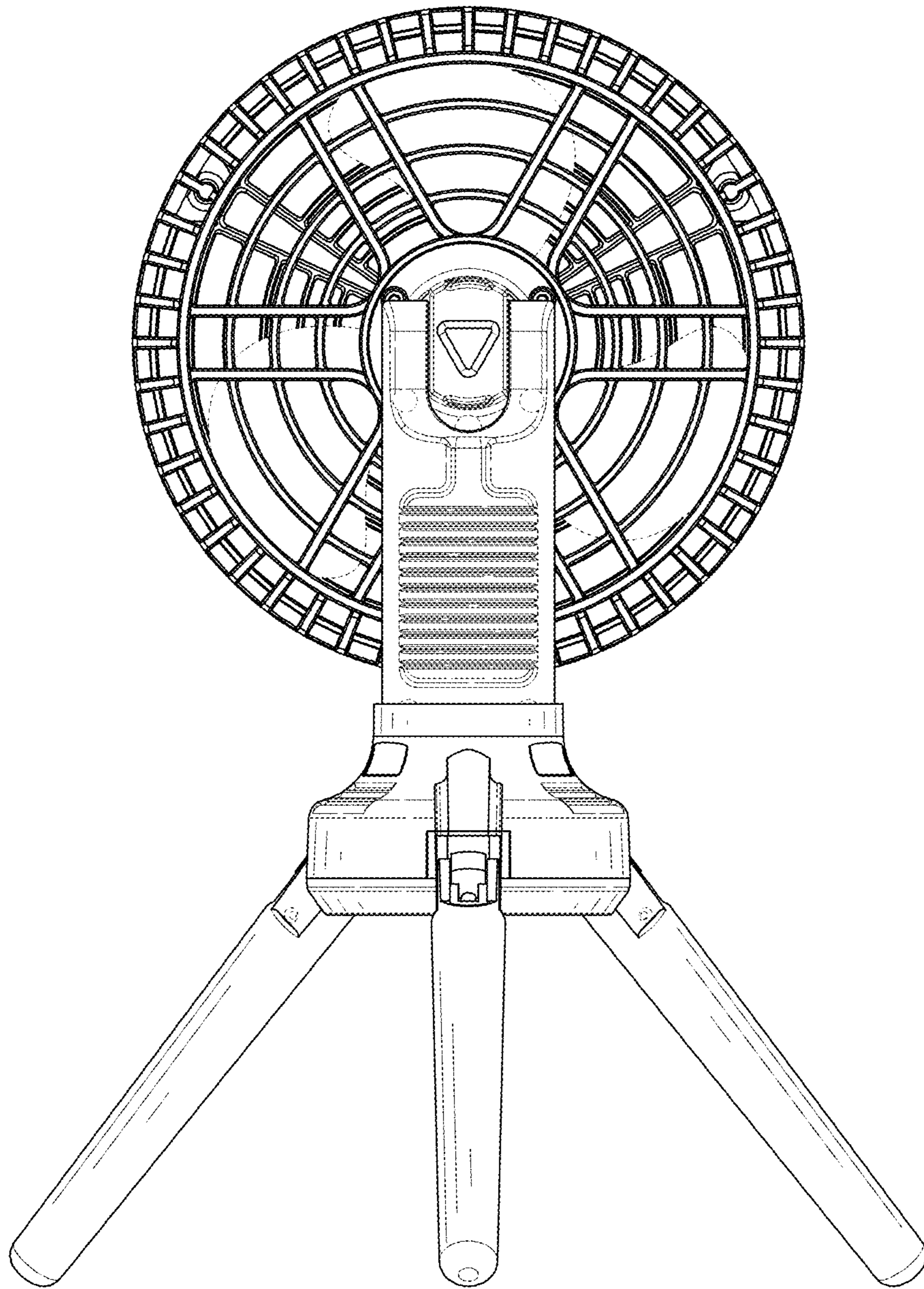


FIG. 4

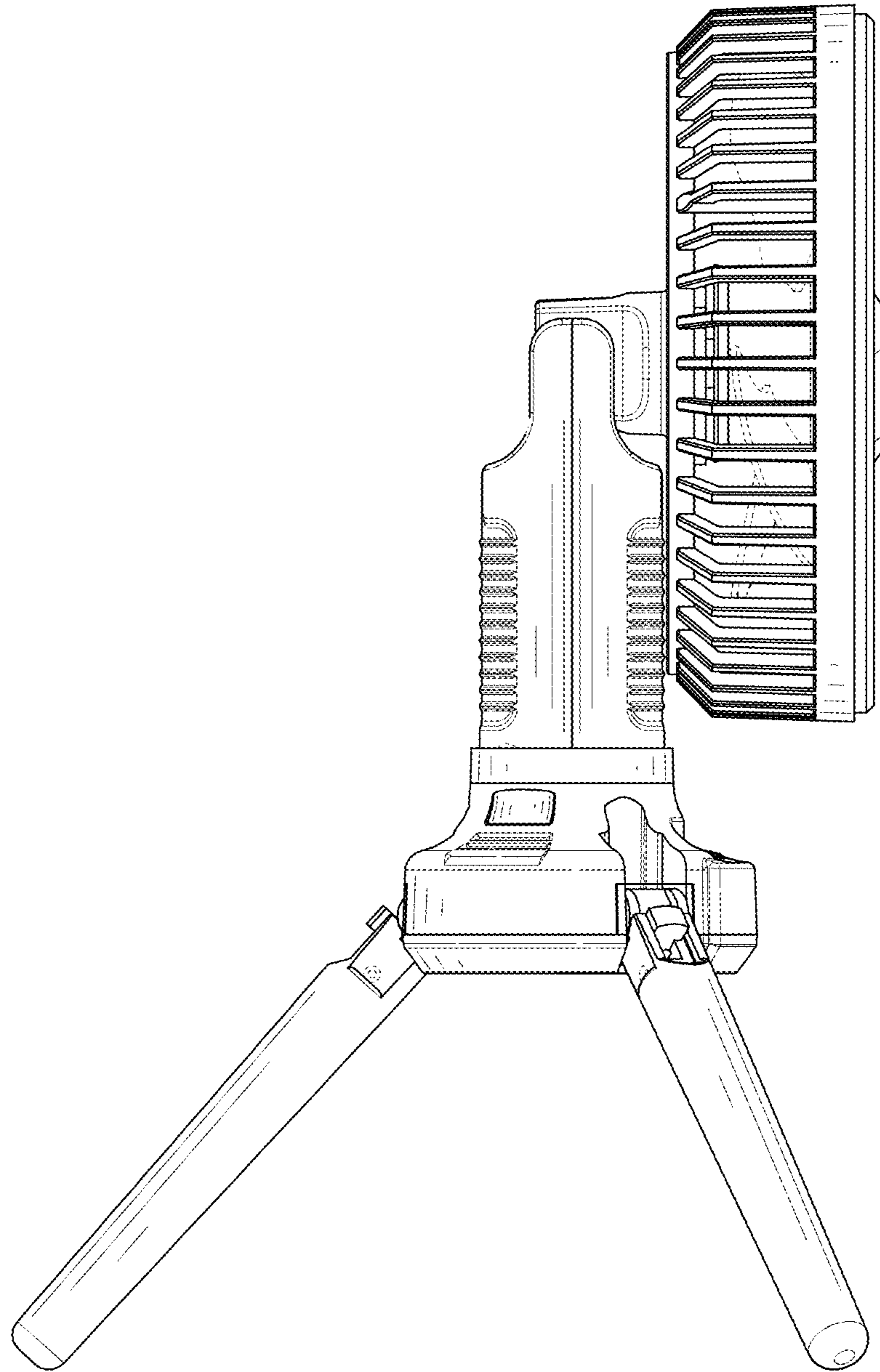


FIG. 5

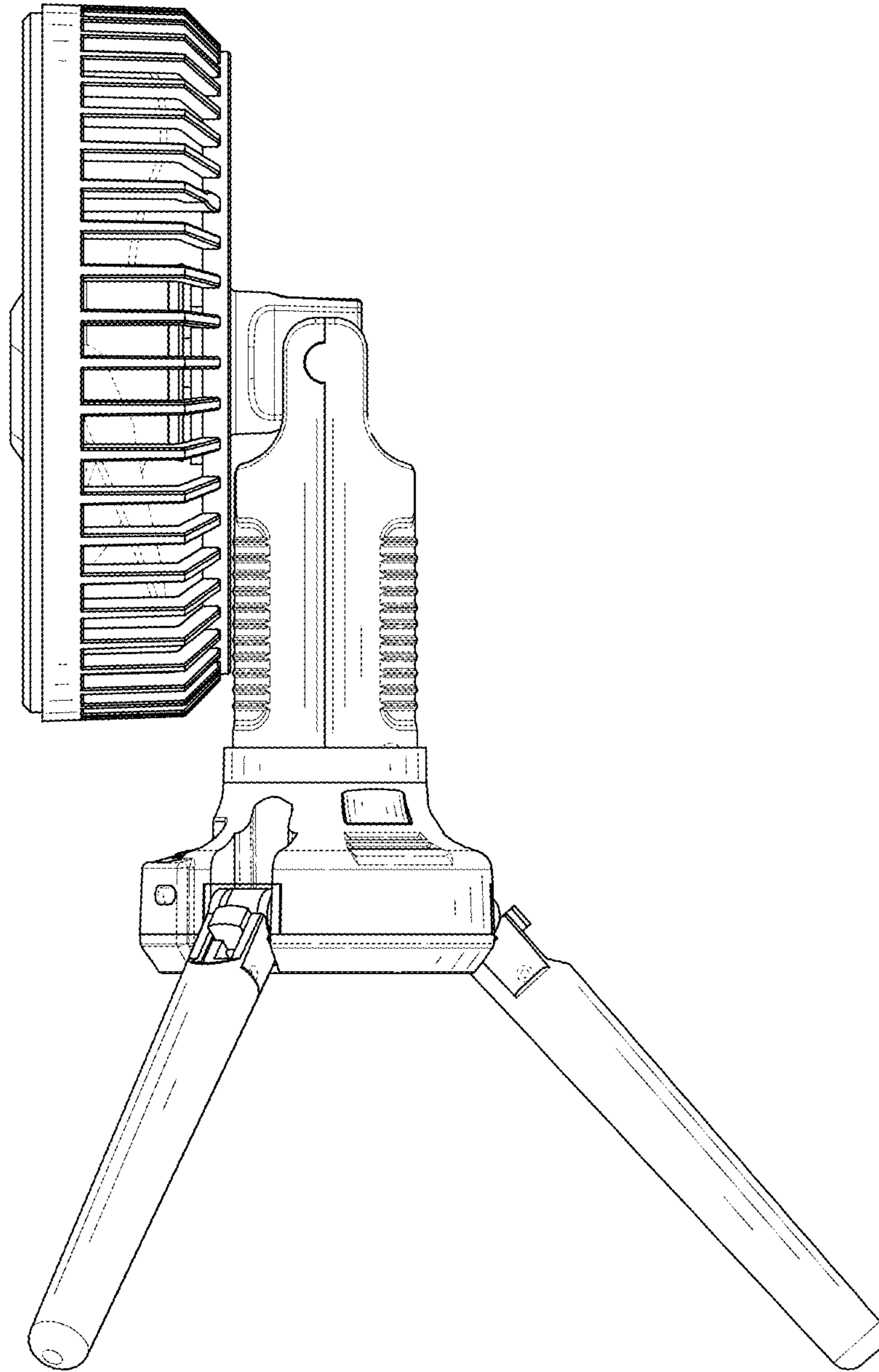


FIG. 6

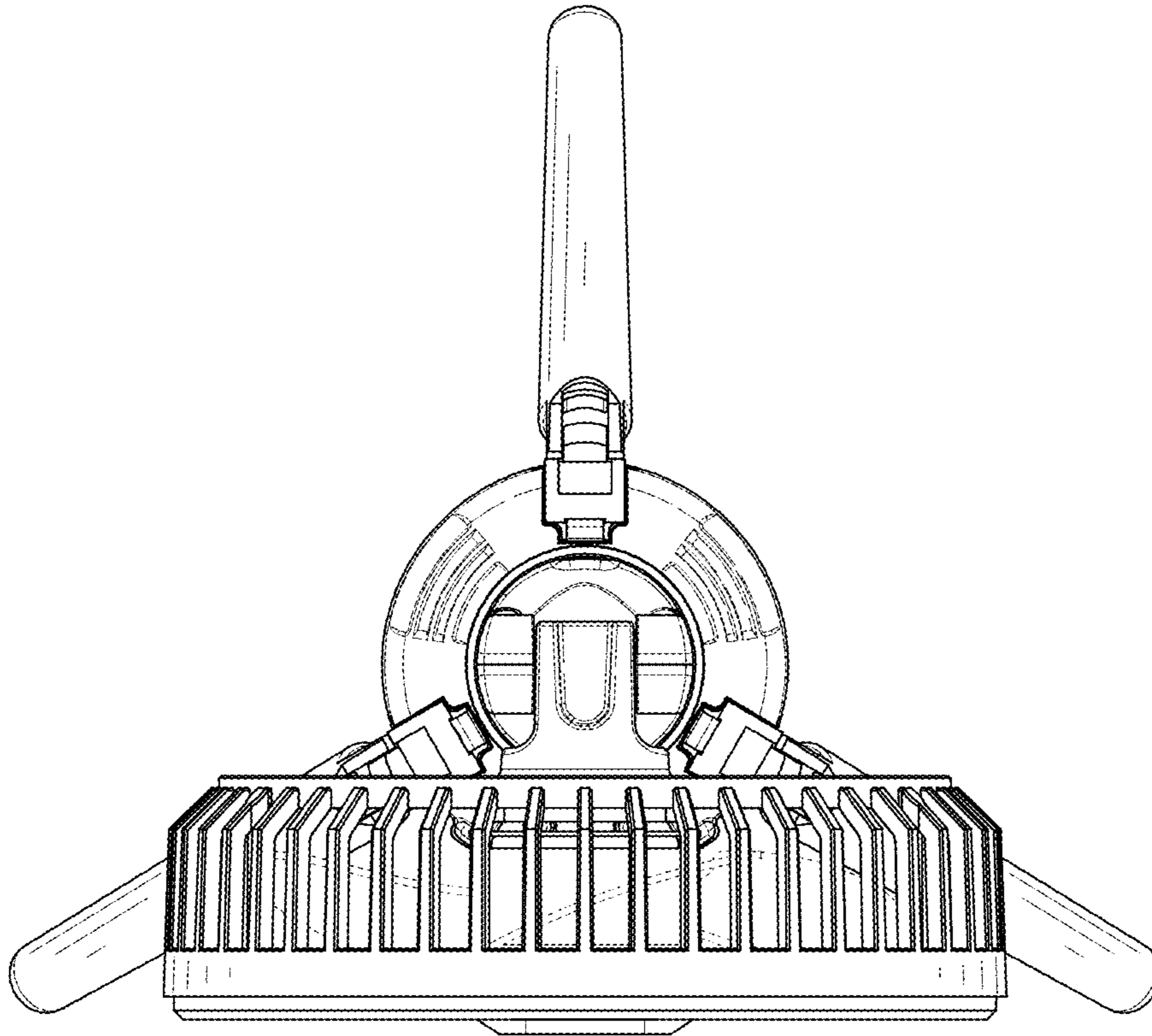


FIG. 7

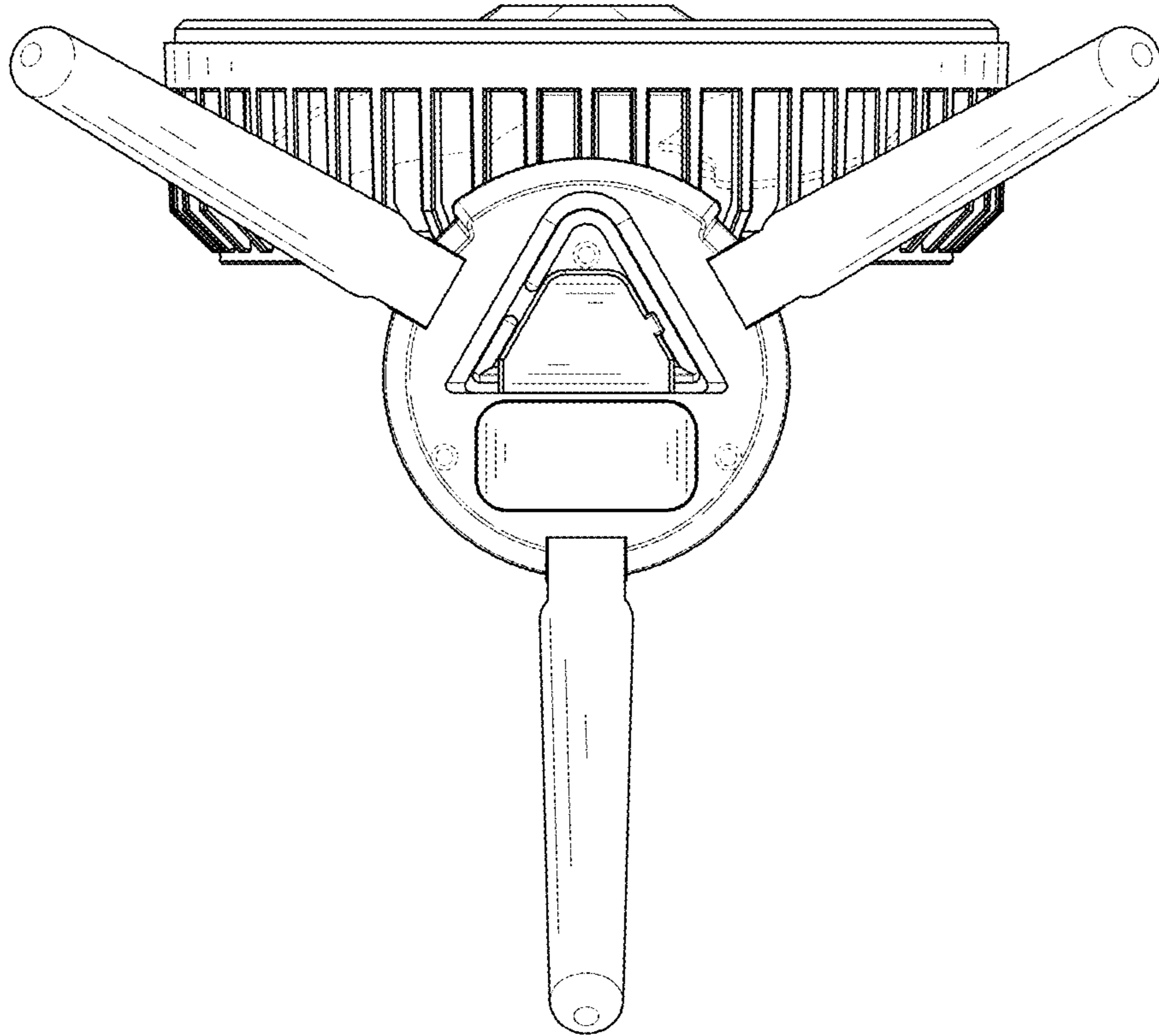


FIG. 8

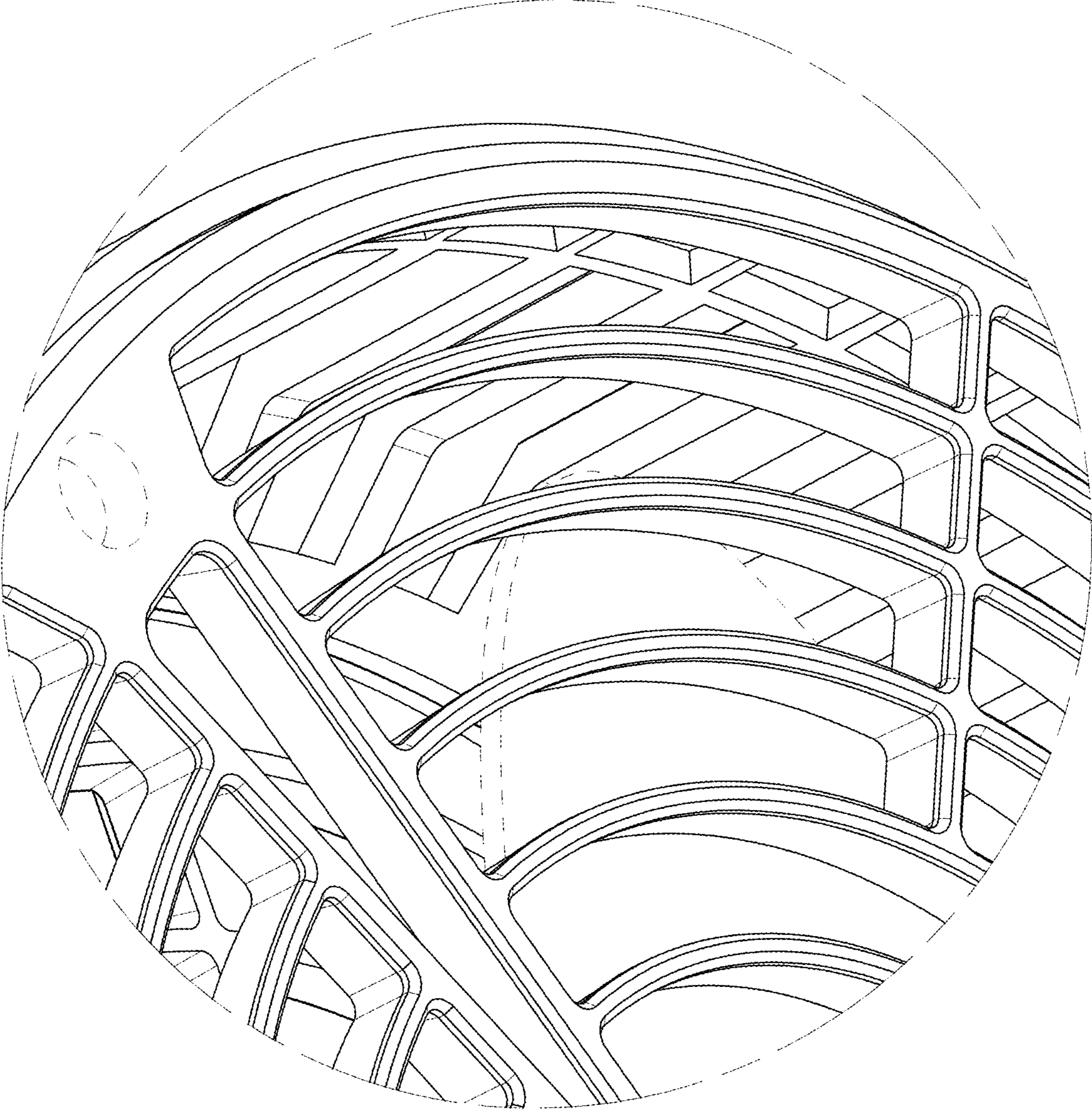


FIG. 9

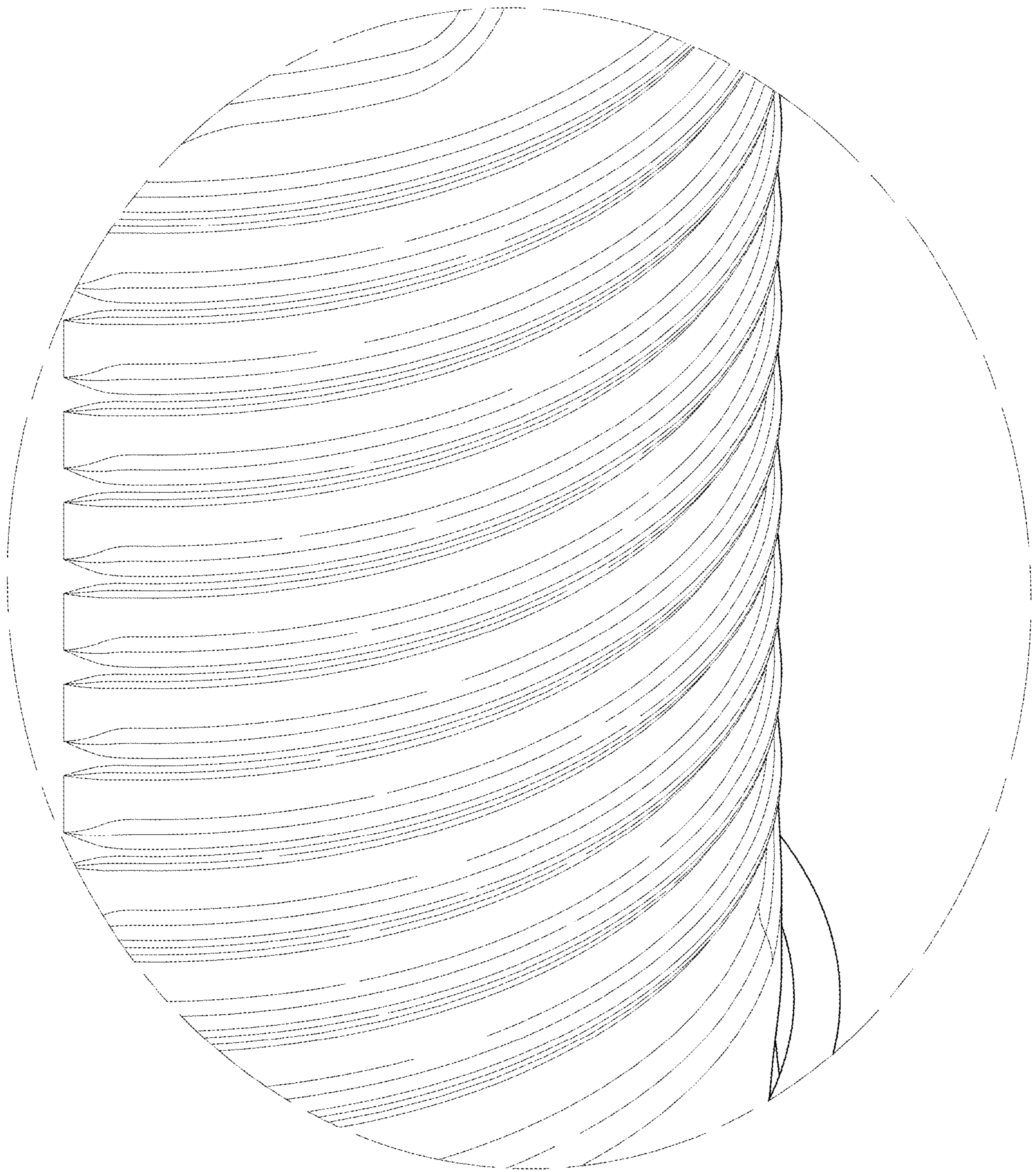


FIG. 10

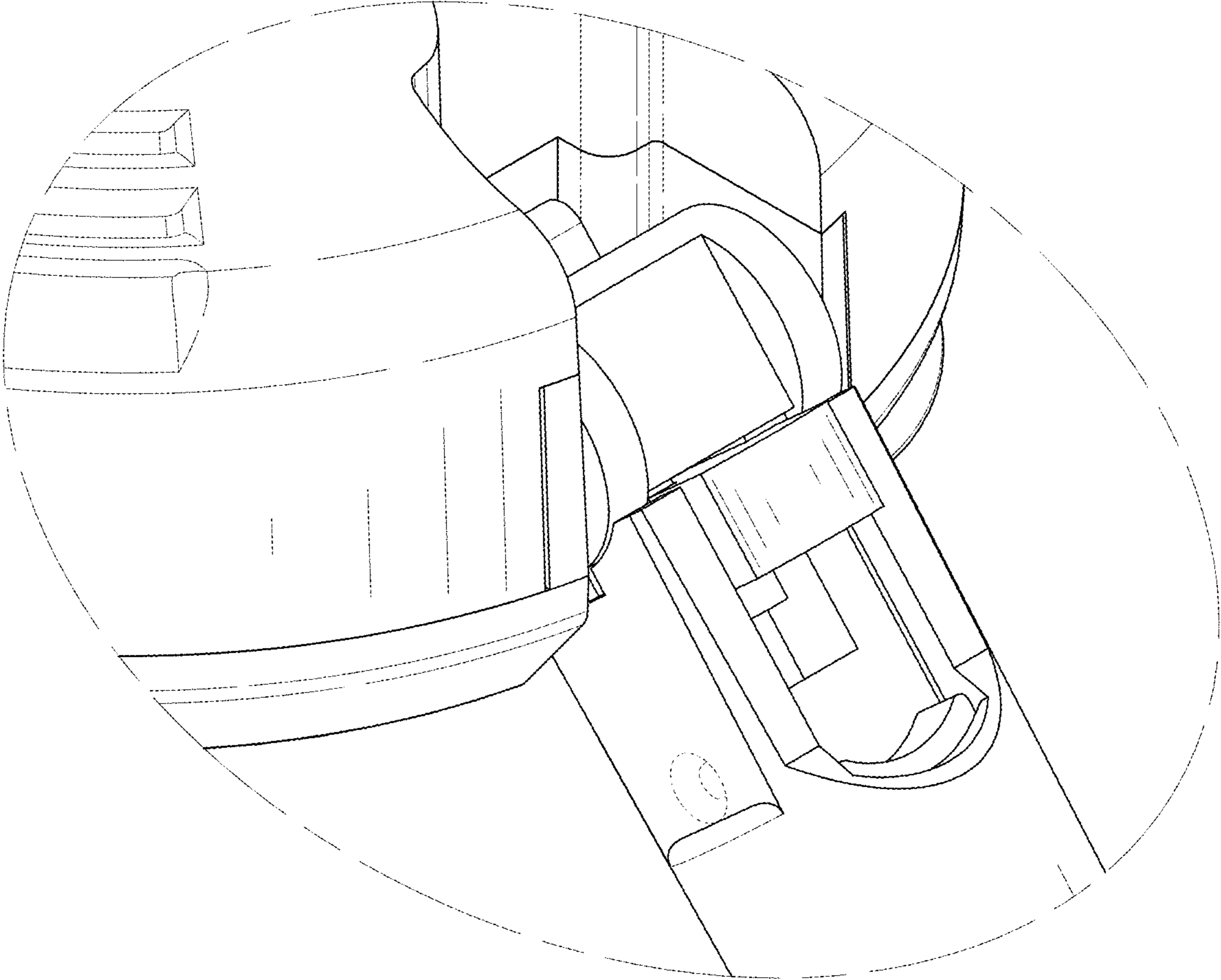


FIG. 11