



US00D965133S

(12) **United States Design Patent** (10) **Patent No.:** **US D965,133 S**
Wei (45) **Date of Patent:** **** Sep. 27, 2022**

(54) **BLADELESS FAN**

(71) Applicant: **Lin Wei**, Zhejiang (CN)

(72) Inventor: **Lin Wei**, Zhejiang (CN)

(**) Term: **15 Years**

(21) Appl. No.: **29/824,696**

(22) Filed: **Jan. 26, 2022**

(51) **LOC (13) Cl.** **23-04**

(52) **U.S. Cl.**
USPC **D23/370**

(58) **Field of Classification Search**
USPC D23/328, 332–337, 351–352, 355–356,
D23/364, 370–376, 378–383, 411–412
CPC F04D 25/08; F04D 17/04; F04D 25/10
See application file for complete search history.

(56) **References Cited**

U.S. PATENT DOCUMENTS

D672,023 S *	12/2012	Wallace	D23/370
D728,769 S *	5/2015	Dyson	D23/370
D728,770 S *	5/2015	Dyson	D23/370
D746,425 S *	12/2015	Dyson	D23/356
D783,140 S *	4/2017	Poulton	D23/370
D783,141 S *	4/2017	Poulton	D23/370
D883,466 S	5/2020	Ying		
D888,219 S *	6/2020	Peet	D23/370
D888,927 S *	6/2020	Hodgson	D23/370
D895,782 S	9/2020	Ying		
D930,140 S *	9/2021	Fu	D23/370
D939,072 S *	12/2021	Fu	D23/370
D942,606 S *	2/2022	Fu	D23/370
D954,247 S *	6/2022	Zhao	D23/370
D958,317 S *	7/2022	Zhao	D23/370
D959,635 S *	8/2022	Zhao	D23/370
D959,636 S *	8/2022	Zhao	D23/370
2010/0226801 A1 *	9/2010	Gammack	F04D 25/08 417/423.1
2013/0249122 A1 *	9/2013	Staniforth	F04F 5/16 261/78.2

2014/0210115 A1 *	7/2014	Staniforth	F24F 6/12 261/78.2
2016/0033148 A1 *	2/2016	Darvill	F04D 25/08 210/143
2016/0033150 A1 *	2/2016	Staniforth	B01F 23/2133 261/30

OTHER PUBLICATIONS

4400mAh Bladeless Fan, date first available Jun. 29, 2021, site visited Aug. 11, 2022, available at <https://www.amazon.com/INMORVEN-Bladeless-Operated-Rechargeable-Decorative/dp/B0998B62SK/ref=sr_1_29?crid=JW9AY871GZVZ&keywords=green%2Btower%2Bfan&qid=1660240626&sprefix=gree%2Btower%2Bfan%2Caps%2C74&sr=8-29&th=1>.*
Bladeless Desk Fan Rechargeable, Small Bladeless Personal Fan Quiet Mini Table Fan, . . . ,date first available Mar. 9, 2022, site visited Aug. 11, 2022, available at <https://www.amazon.com/dp/B09V4WBCRQ?ref=vse_pfo_vwdp&th=1>.*

* cited by examiner

Primary Examiner — Sharon S Oum

(74) *Attorney, Agent, or Firm* — ScienBiziP, P.C.

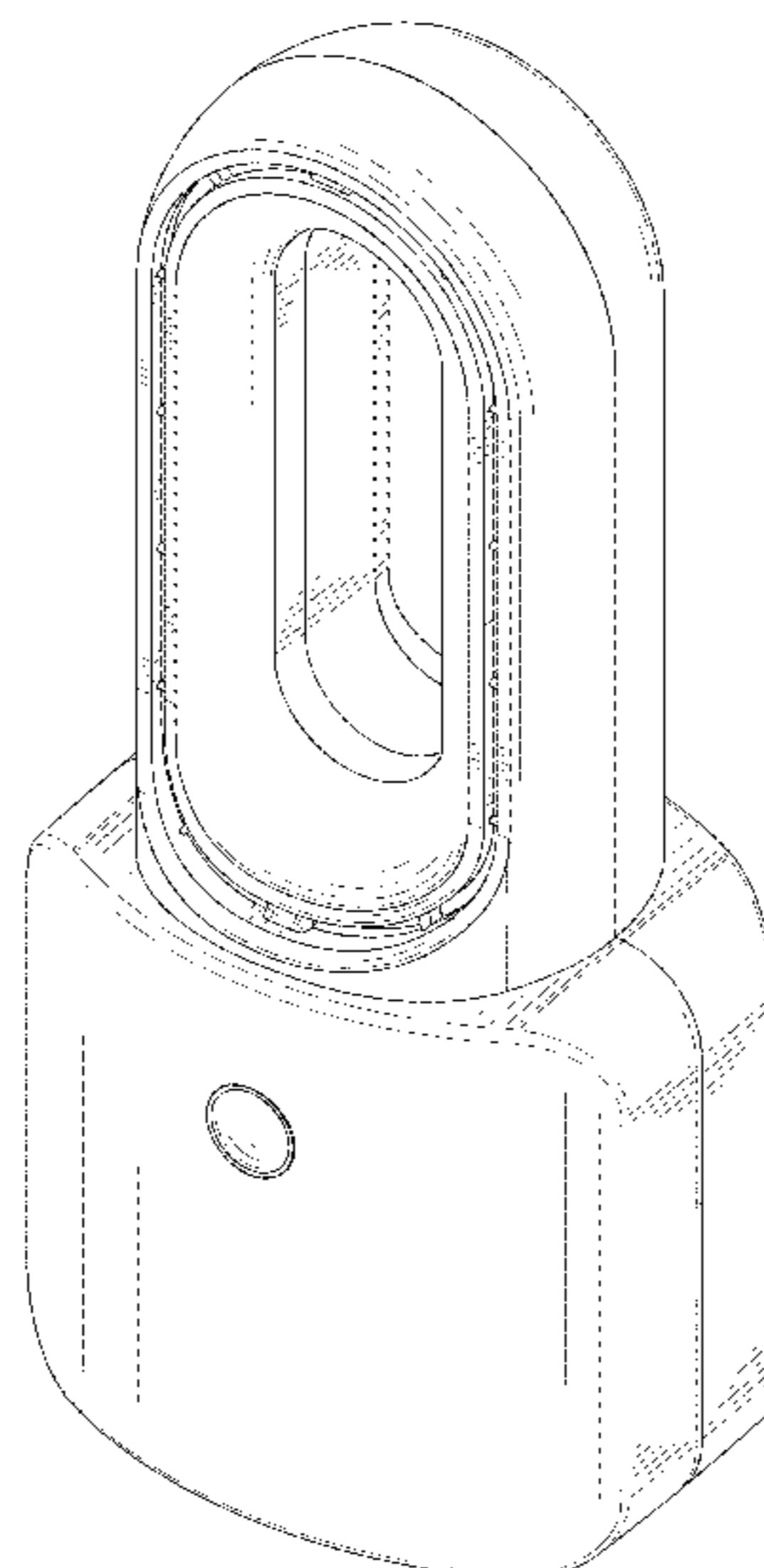
(57) **CLAIM**

The ornamental design for a bladeless fan, as shown and described.

DESCRIPTION

FIG. 1 is a front, right, and top perspective view of a bladeless fan, showing my design.
FIG. 2 is a rear, left, and bottom perspective view thereof.
FIG. 3 is a front elevation view thereof.
FIG. 4 is a rear elevation view thereof.
FIG. 5 is a left side elevation view thereof.
FIG. 6 is a right side elevation view thereof.
FIG. 7 is a top plan view thereof; and,
FIG. 8 is a bottom plan view thereof.
The broken lines shown in the drawings are included for the purpose of illustrating portions of the bladeless fan that form no part of the claimed design.

1 Claim, 8 Drawing Sheets



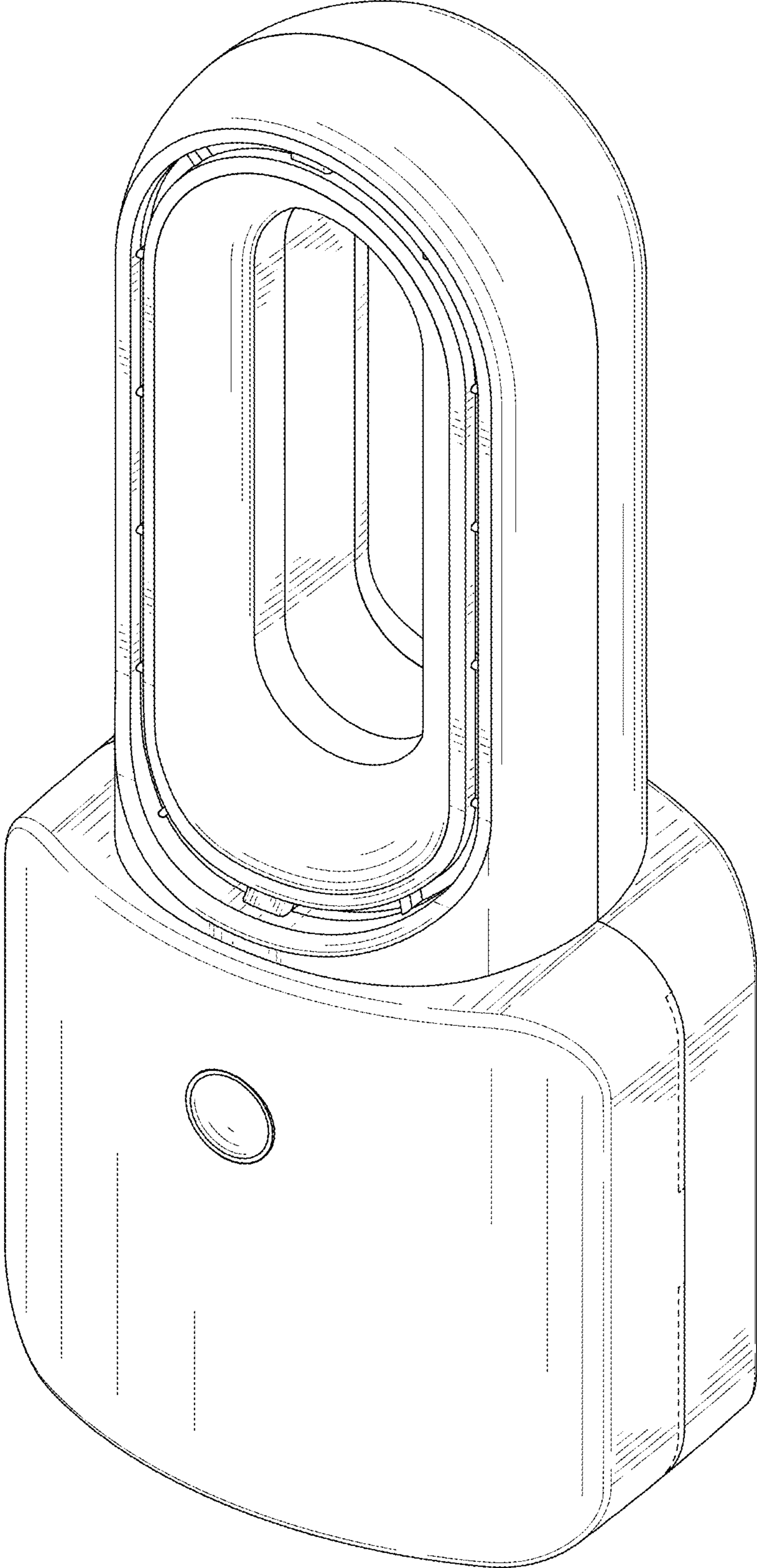


FIG. 1

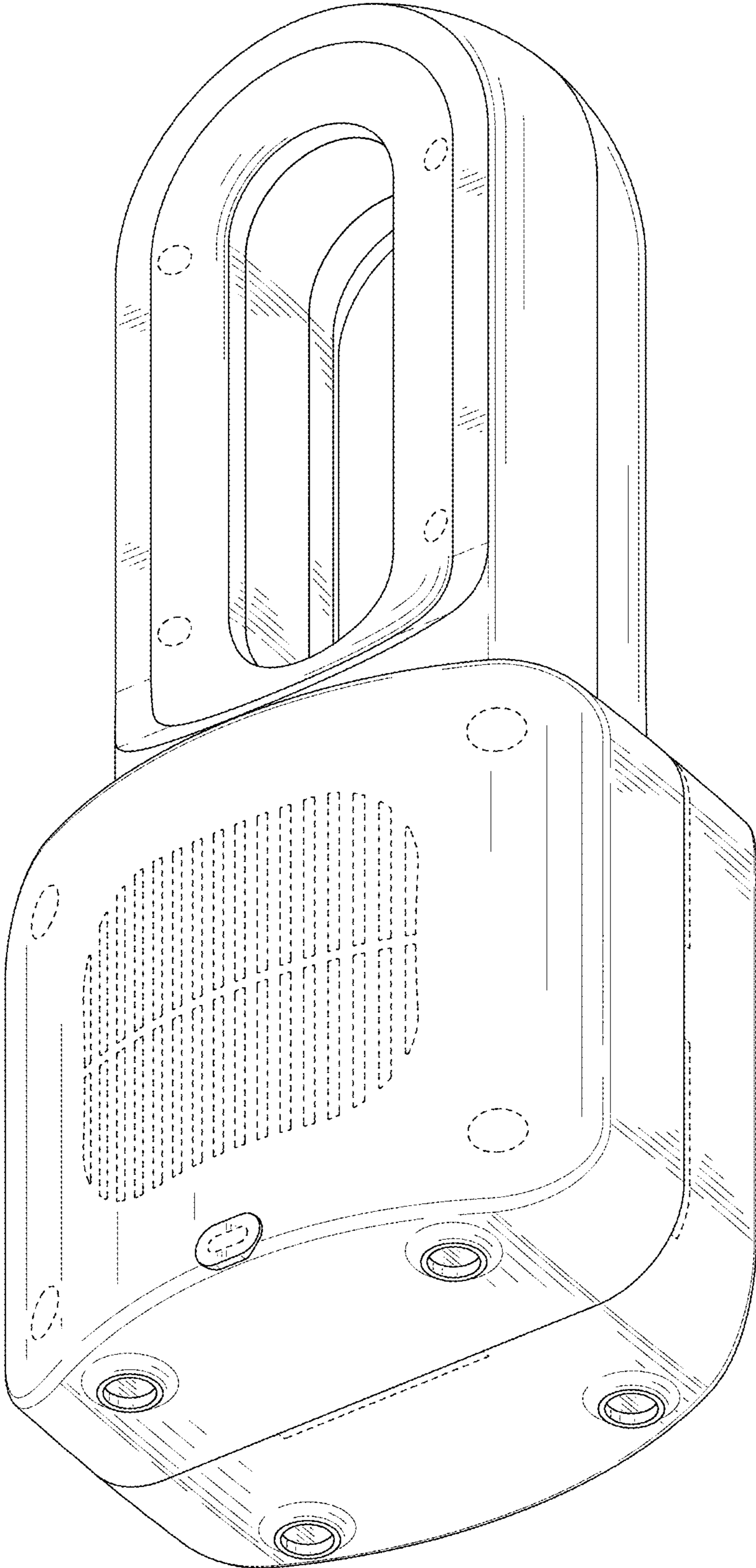


FIG. 2

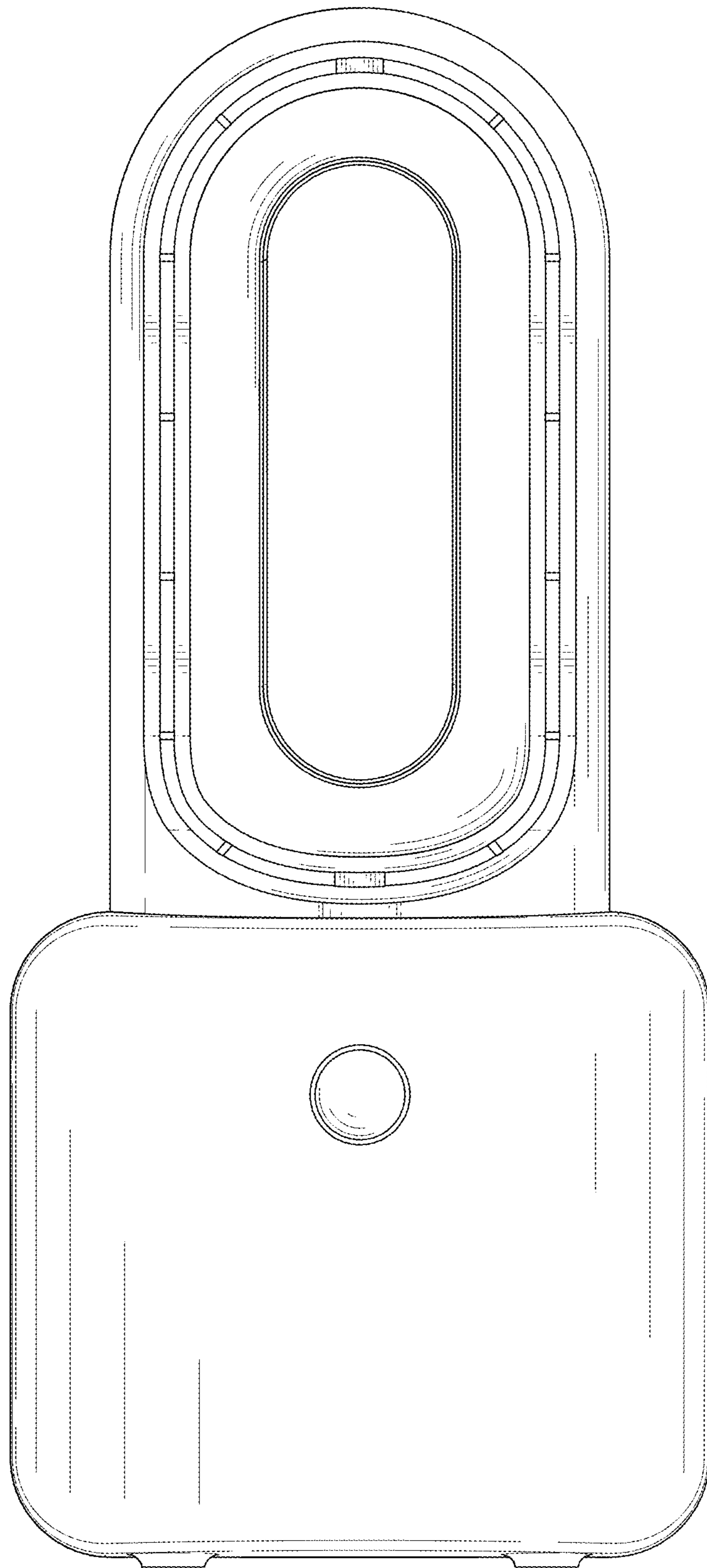


FIG. 3

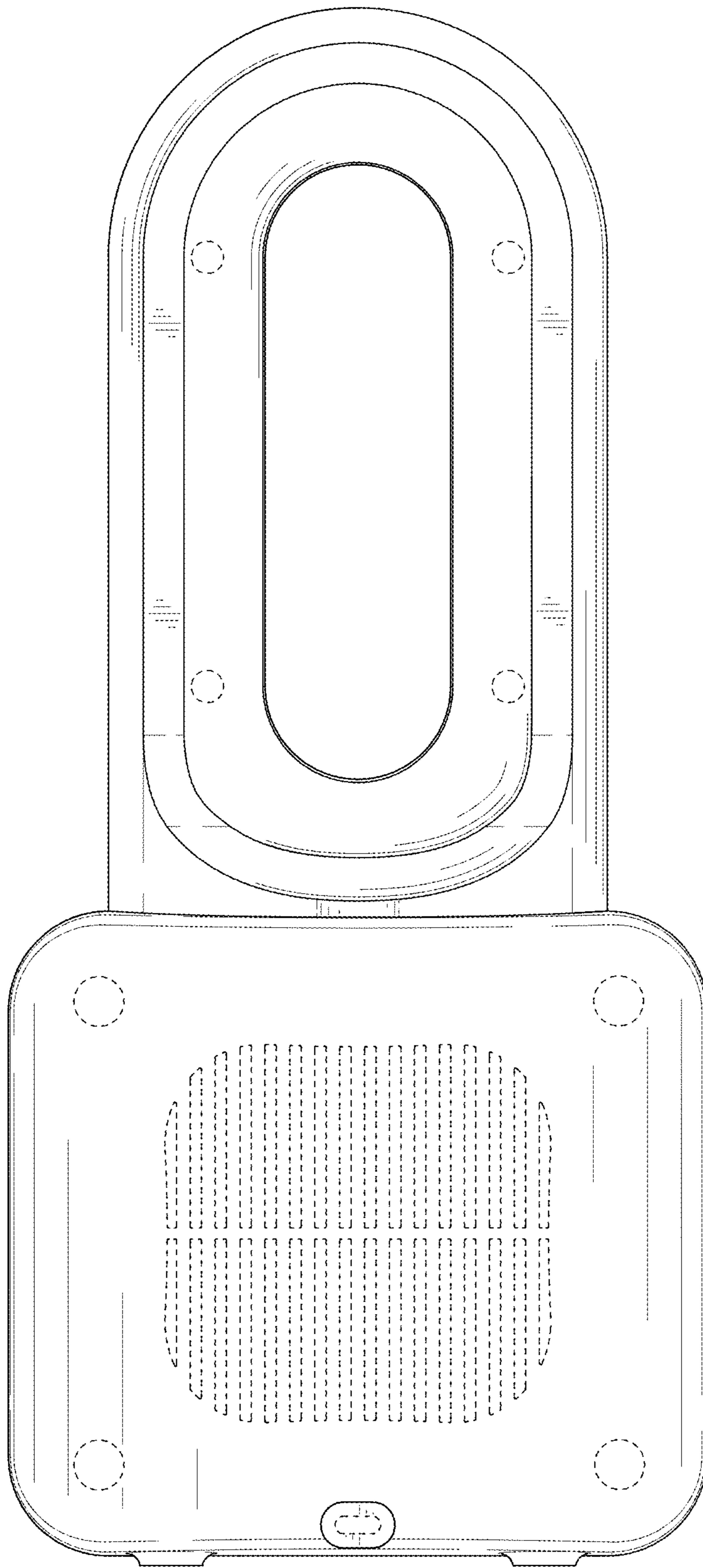


FIG. 4

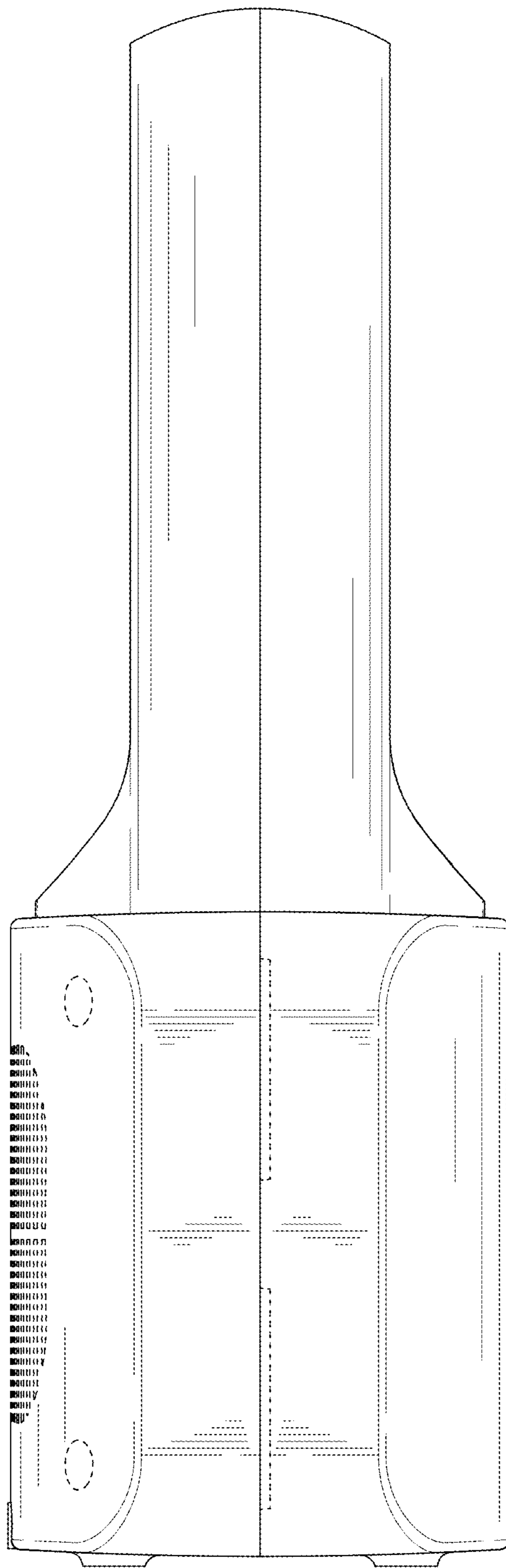


FIG. 5

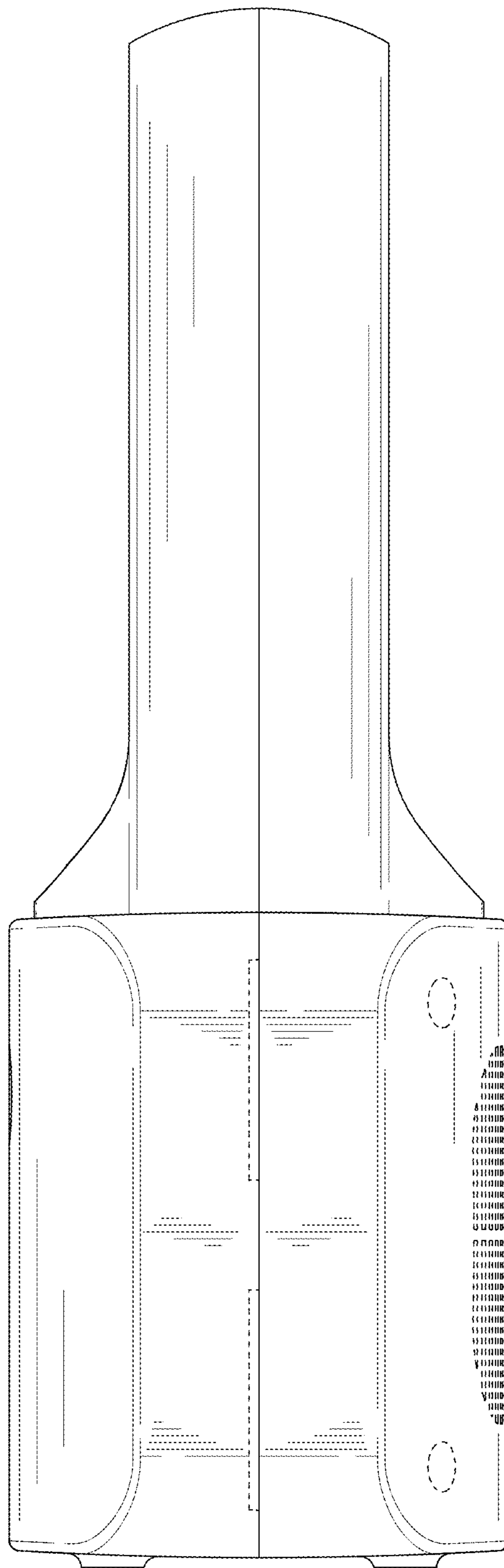


FIG. 6

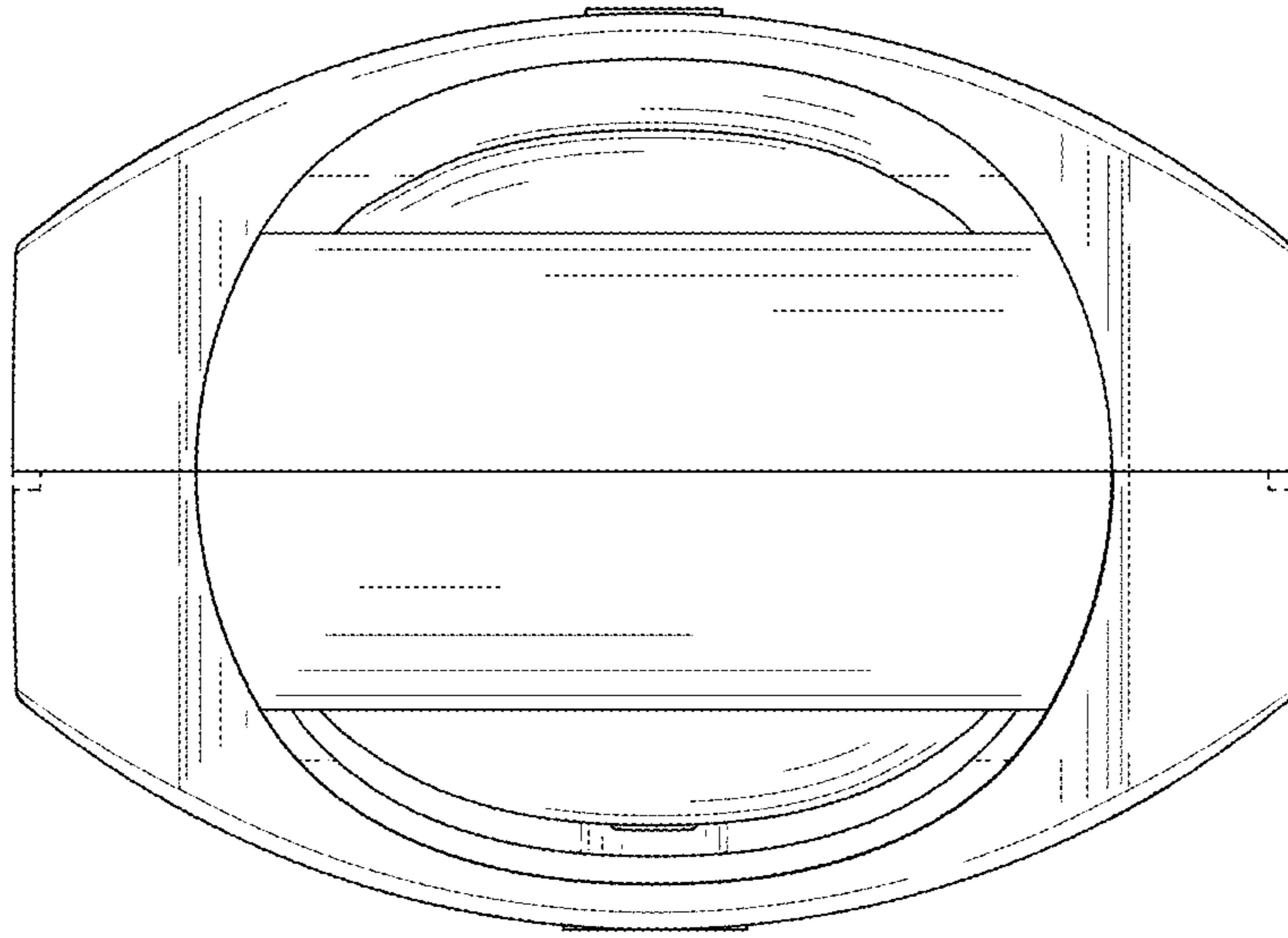


FIG. 7

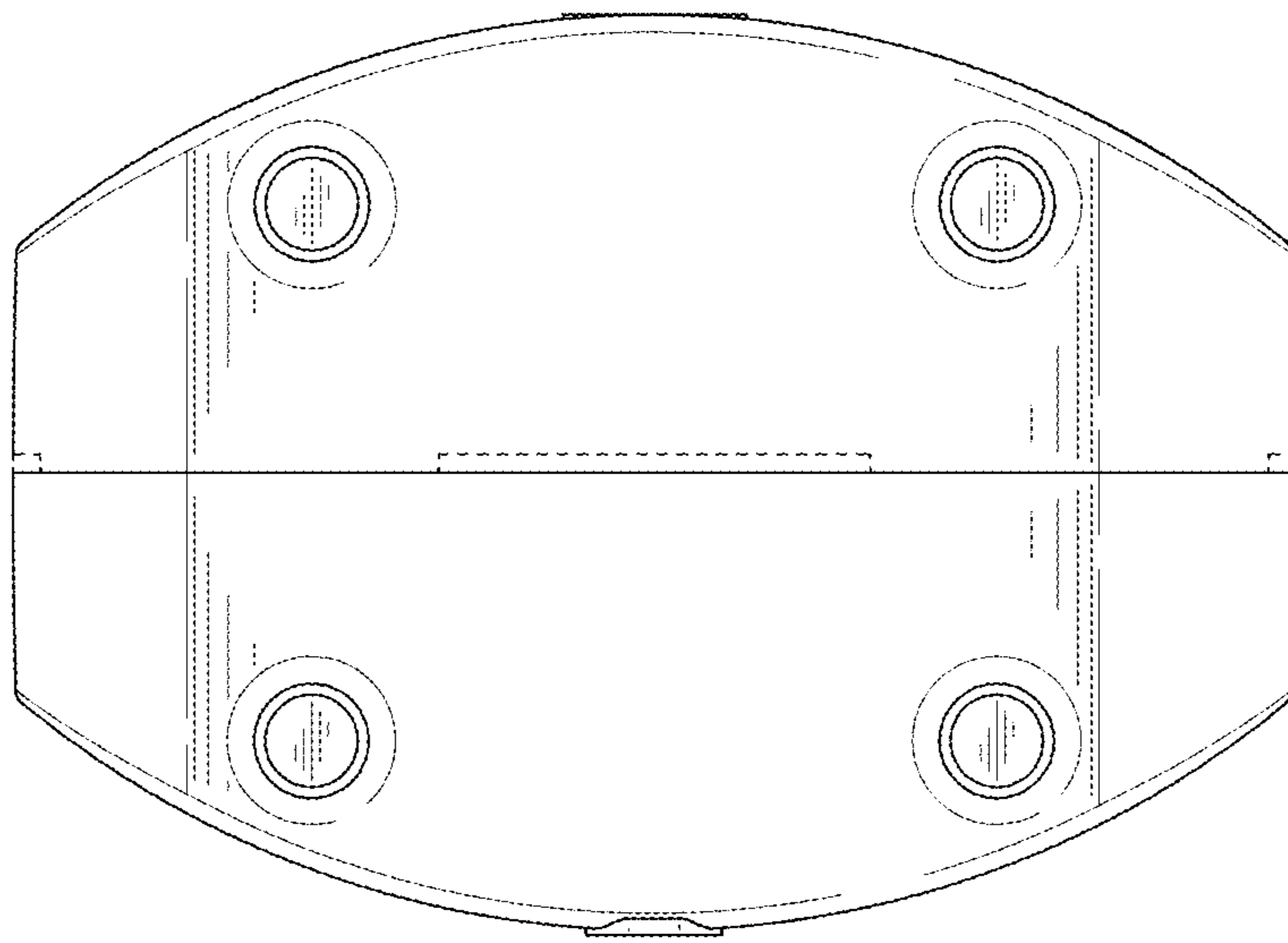


FIG. 8