



US00D965132S

(12) **United States Design Patent** (10) **Patent No.:** **US D965,132 S**
Li (45) **Date of Patent:** **** Sep. 27, 2022**

(54) **AROMA DIFFUSER**
(71) Applicant: **Shenzhen qianzong technology co. LTD, Shenzhen (CN)**
(72) Inventor: **Feng Li, Jinshi (CN)**
(73) Assignee: **Shenzhen qianzong technology co. LTD, Shenzhen (CN)**

(**) Term: **15 Years**
(21) Appl. No.: **29/824,770**

(22) Filed: **Jan. 27, 2022**
(51) **LOC (13) Cl.** **23-04**
(52) **U.S. Cl.**
USPC **D23/366**
(58) **Field of Classification Search**
USPC D23/209, 355, 356, 358, 359, 360, 364,
D23/365, 366, 367
CPC . A61L 9/03; A61L 9/012; A61L 9/015; A61L
9/037
See application file for complete search history.

(56) **References Cited**
U.S. PATENT DOCUMENTS
D395,491 S * 6/1998 Jane' D23/358
D557,393 S * 12/2007 Yoo D23/351
D558,864 S * 1/2008 Yoo D23/351
D714,430 S * 9/2014 Brickner D23/356
D834,165 S * 11/2018 Maeng D23/364

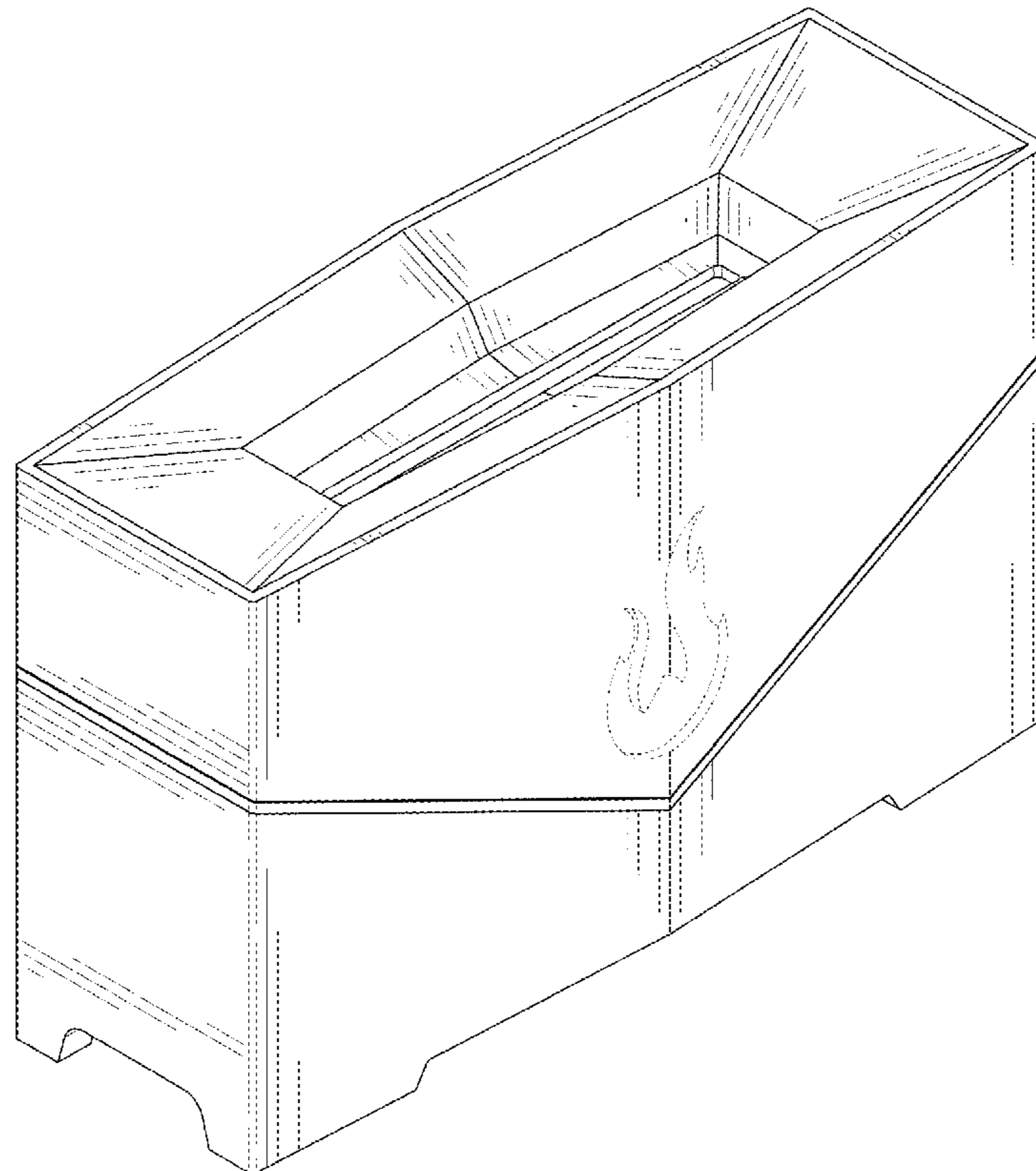
D852,342 S * 6/2019 Kosuge D23/351
D852,343 S * 6/2019 Kosuge D23/351
D889,621 S * 7/2020 Huang D23/364
D912,236 S * 3/2021 Hernandez D23/364
D919,790 S 5/2021 Lee
D919,792 S 5/2021 Lee
D919,795 S 5/2021 Lee
D933,183 S * 10/2021 Leyden D23/366
2016/0303268 A1 * 10/2016 Crocker A61L 9/037

* cited by examiner
Primary Examiner — John A Voytek
(74) *Attorney, Agent, or Firm* — Zhihua Han

(57) **CLAIM**
The ornamental design for an aroma diffuser, as shown and described.

DESCRIPTION
FIG. 1 is a first perspective view of an aroma diffuser showing my new design;
FIG. 2 is a second perspective view thereof;
FIG. 3 is a front view thereof;
FIG. 4 is a back view thereof;
FIG. 5 is a left side view thereof;
FIG. 6 is a right side view thereof;
FIG. 7 is a top view thereof; and,
FIG. 8 is a bottom view thereof.
The broken lines shown in the drawings depict portions of the aroma diffuser that form no part of the claimed design.

1 Claim, 8 Drawing Sheets



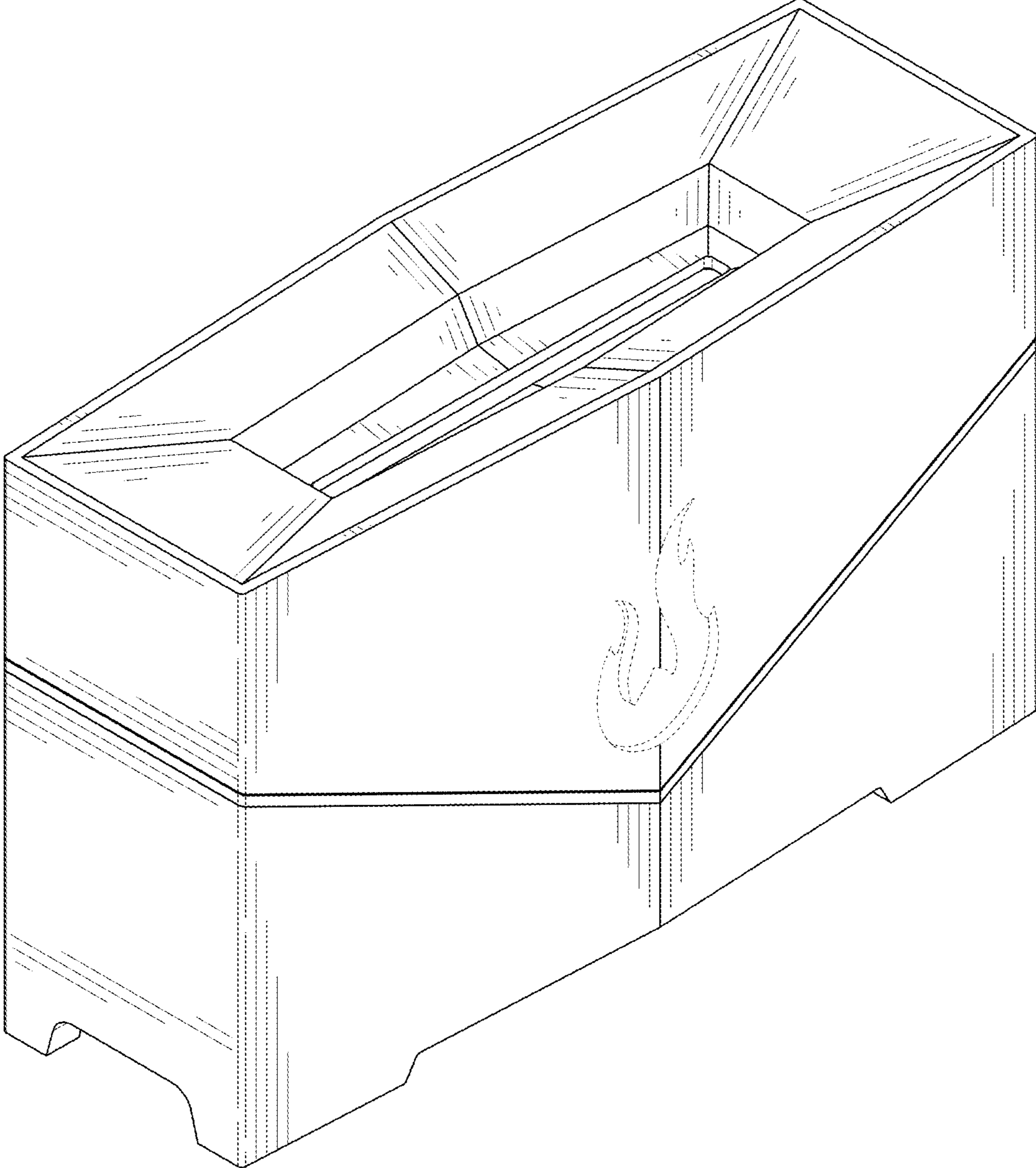


FIG. 1

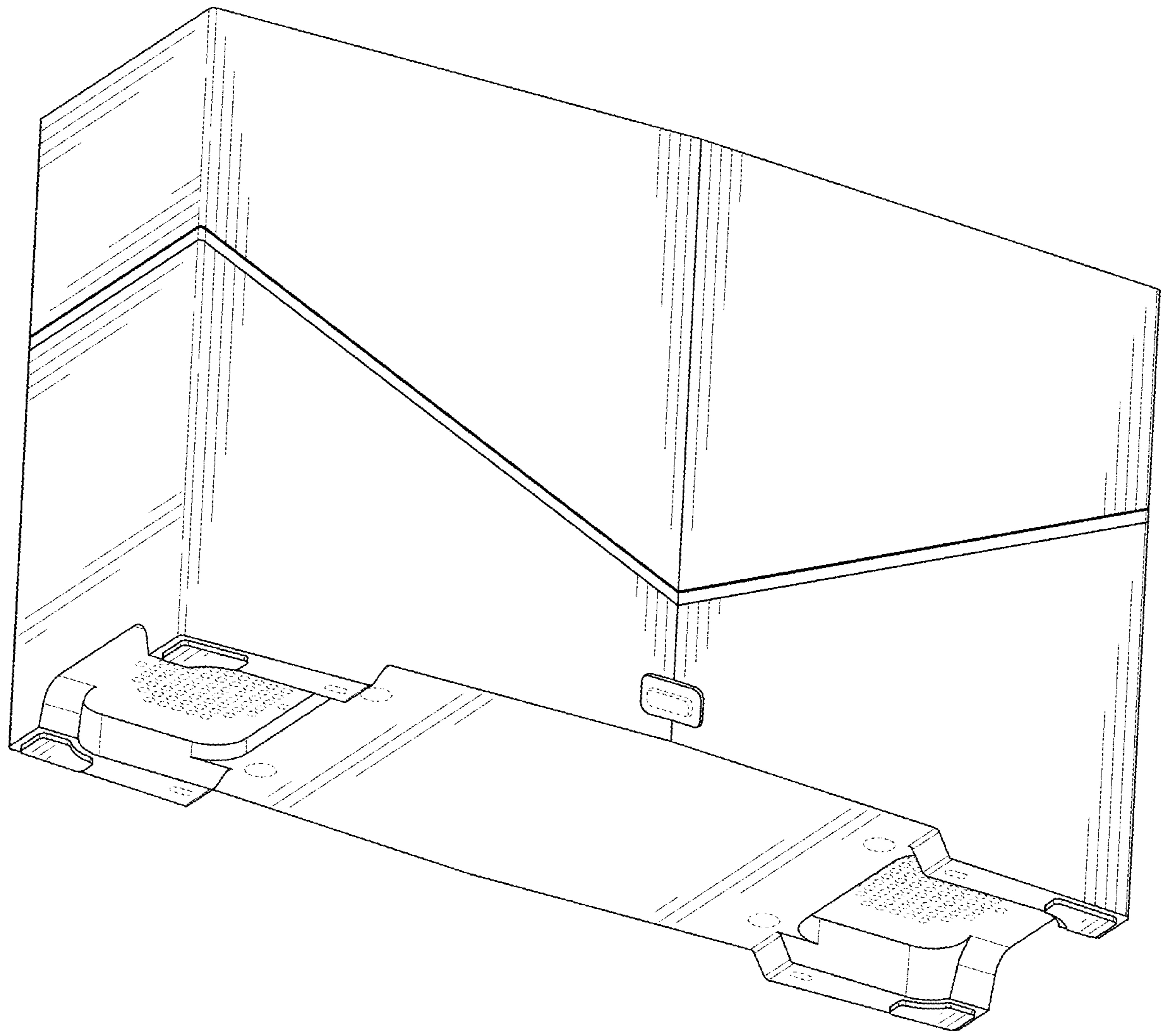


FIG. 2

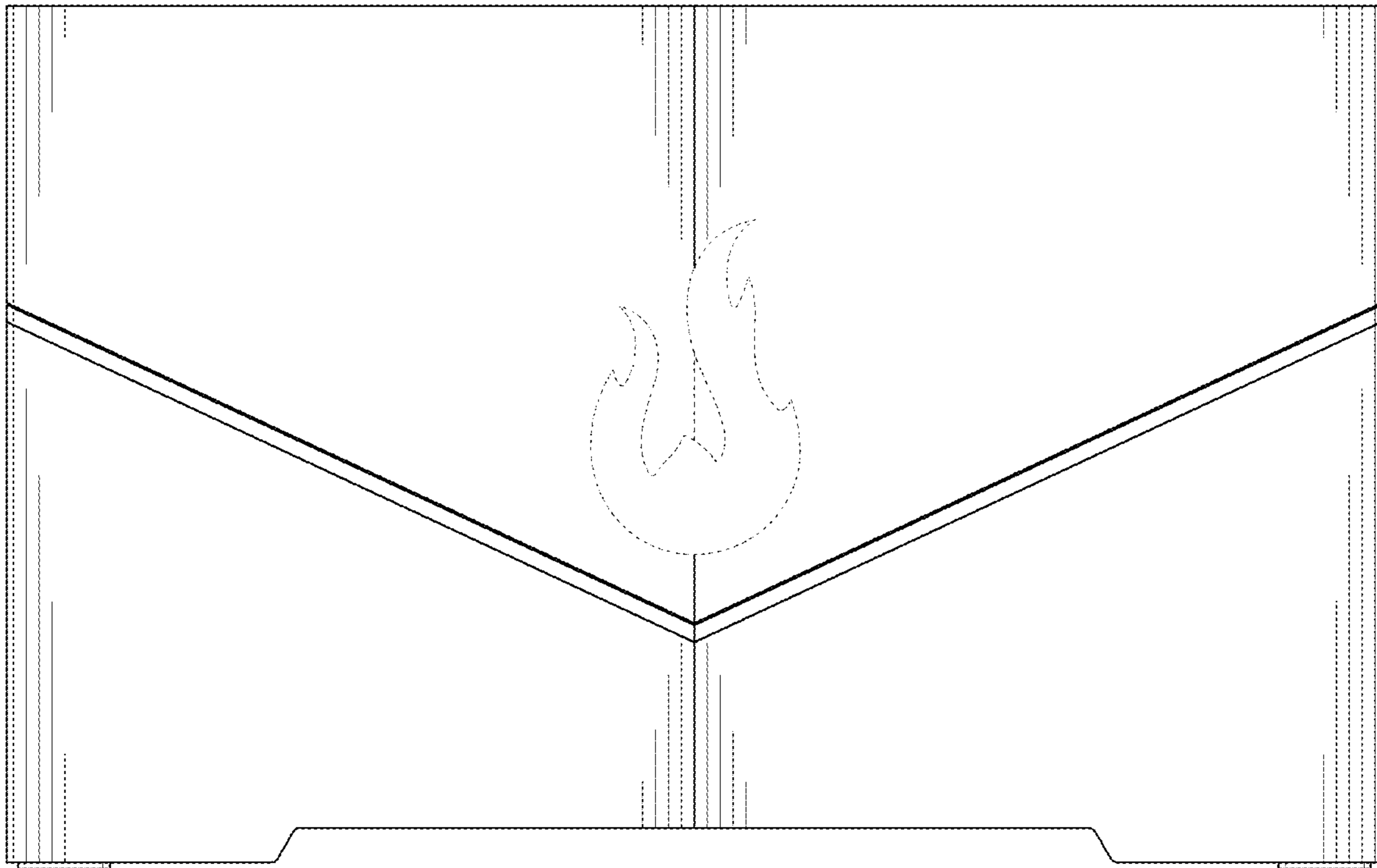


FIG. 3

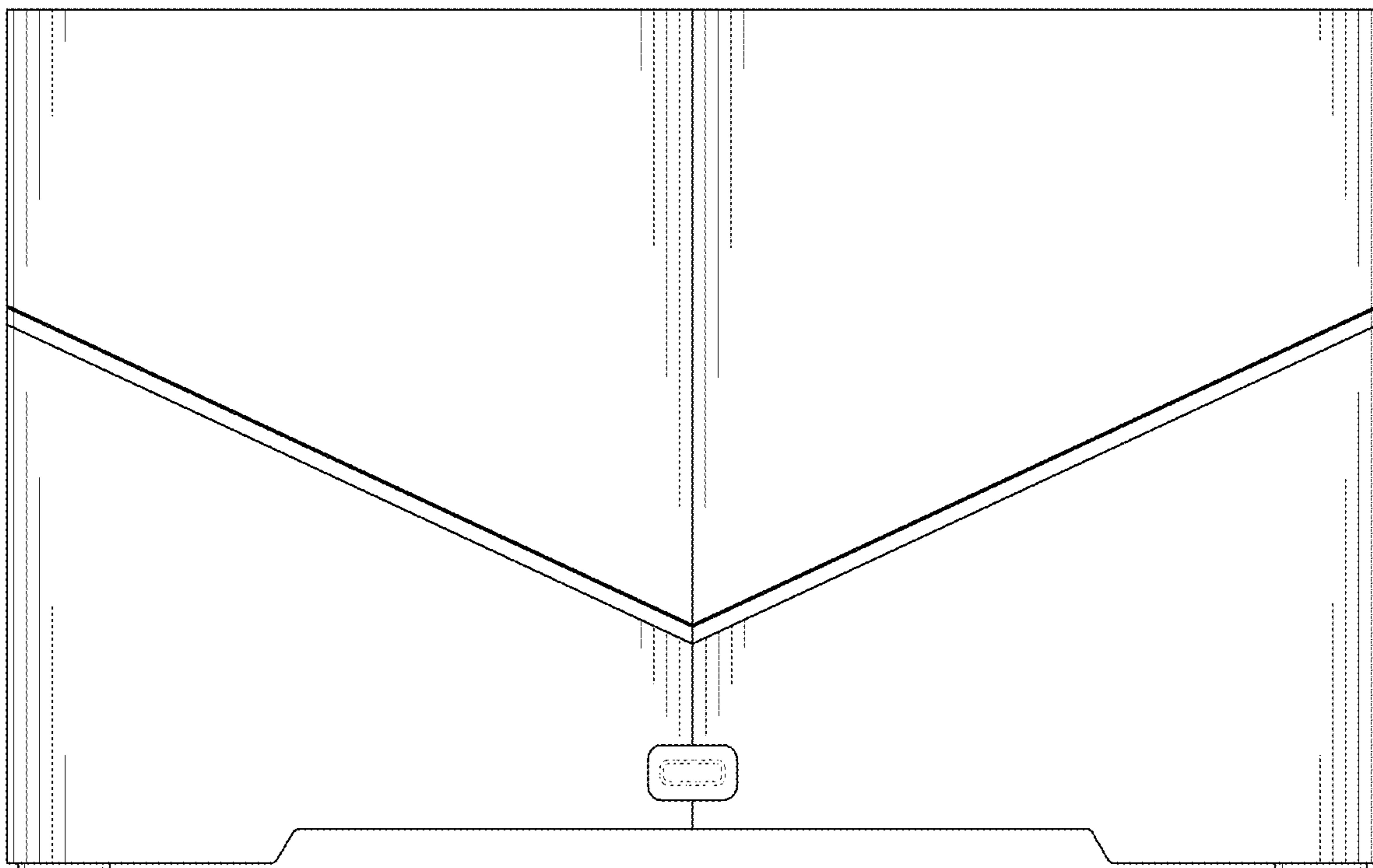


FIG. 4

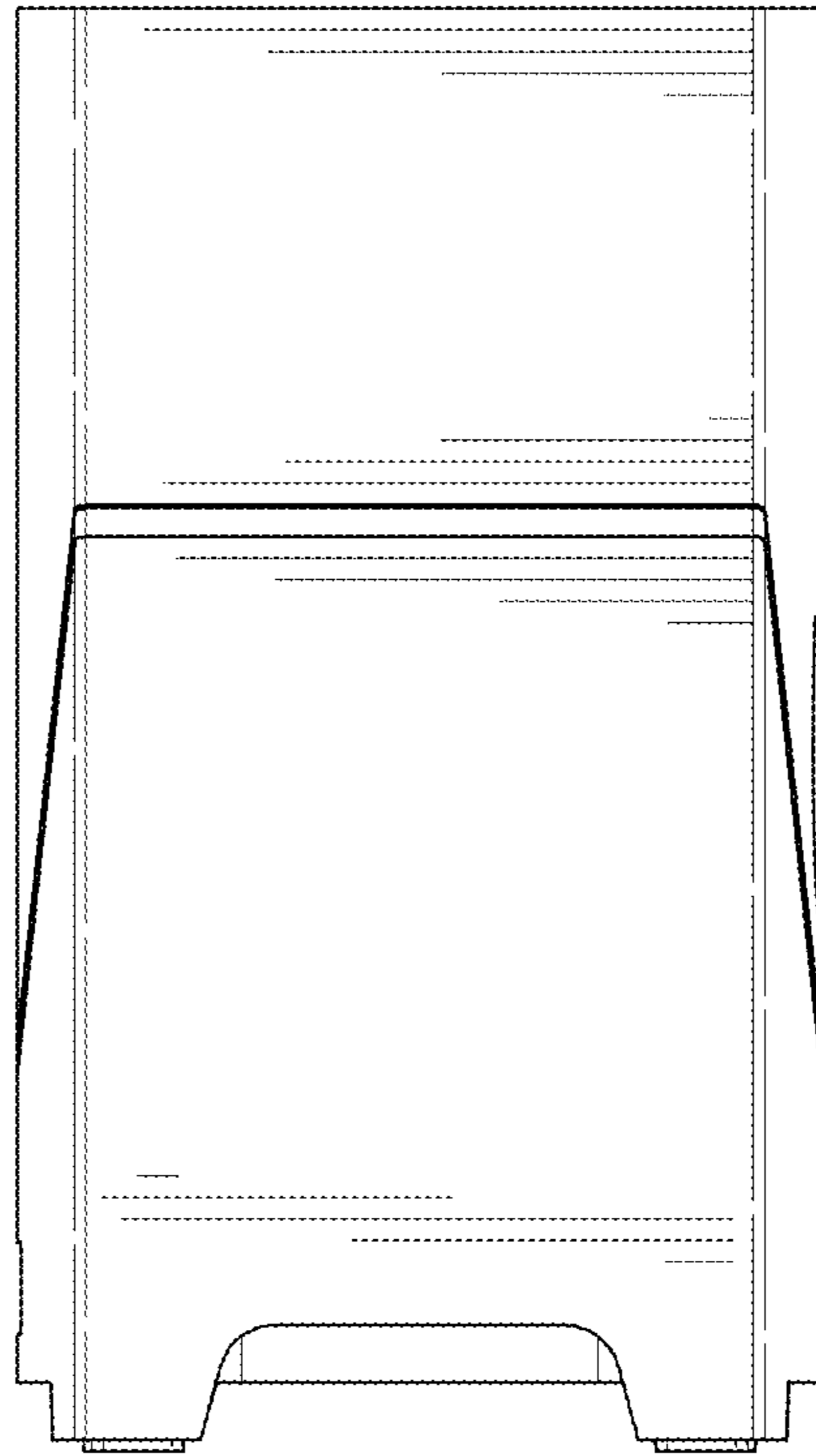


FIG. 5

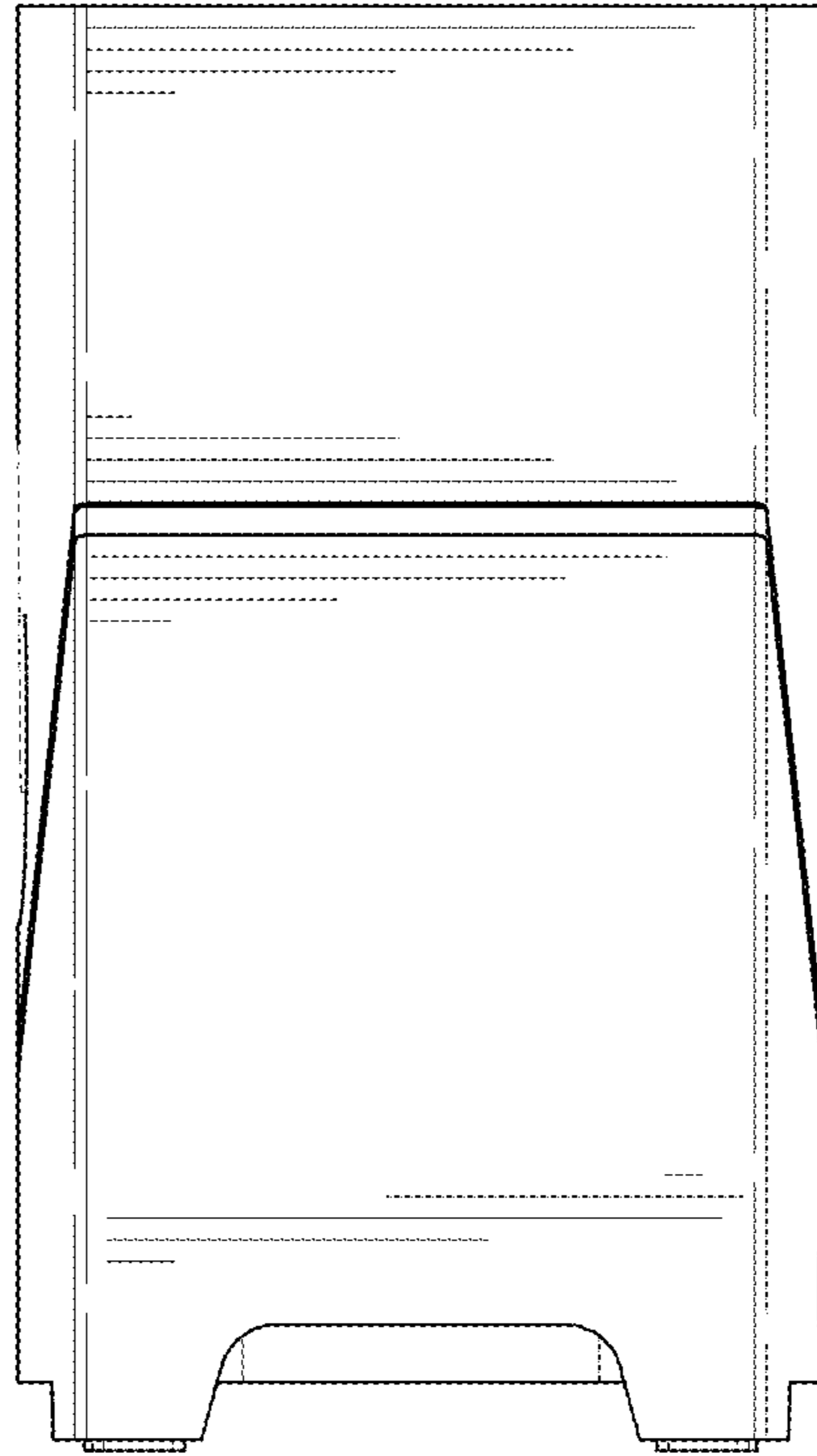


FIG. 6

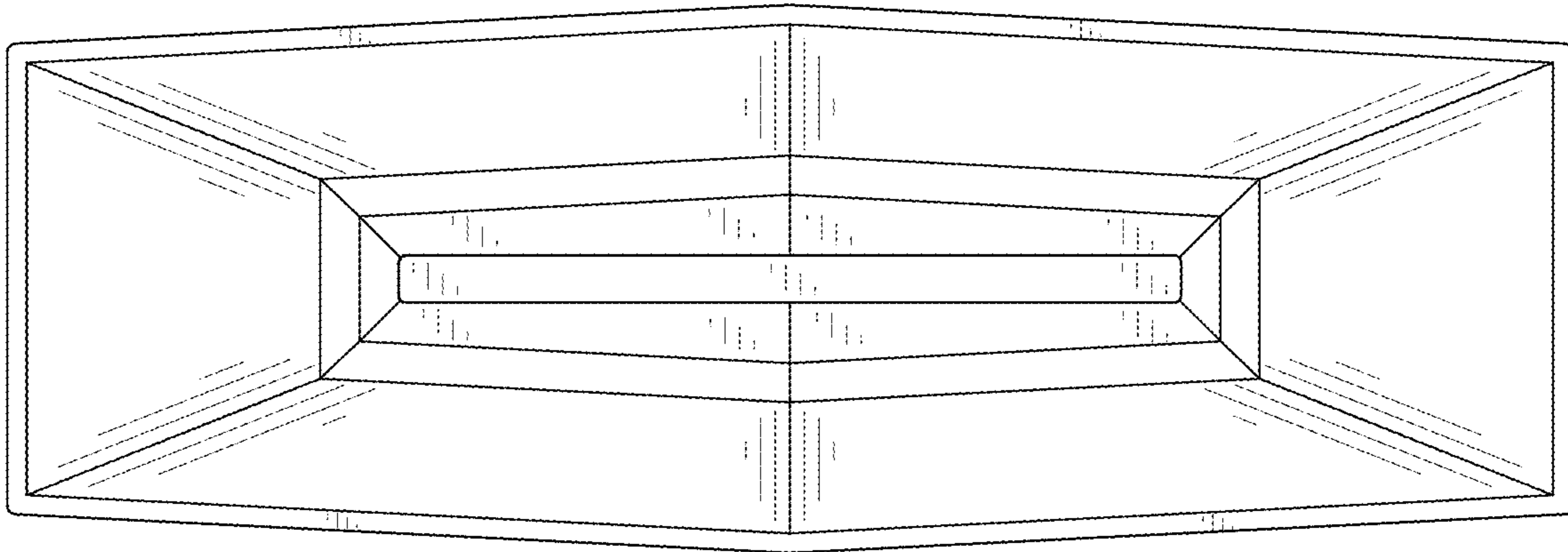


FIG. 7

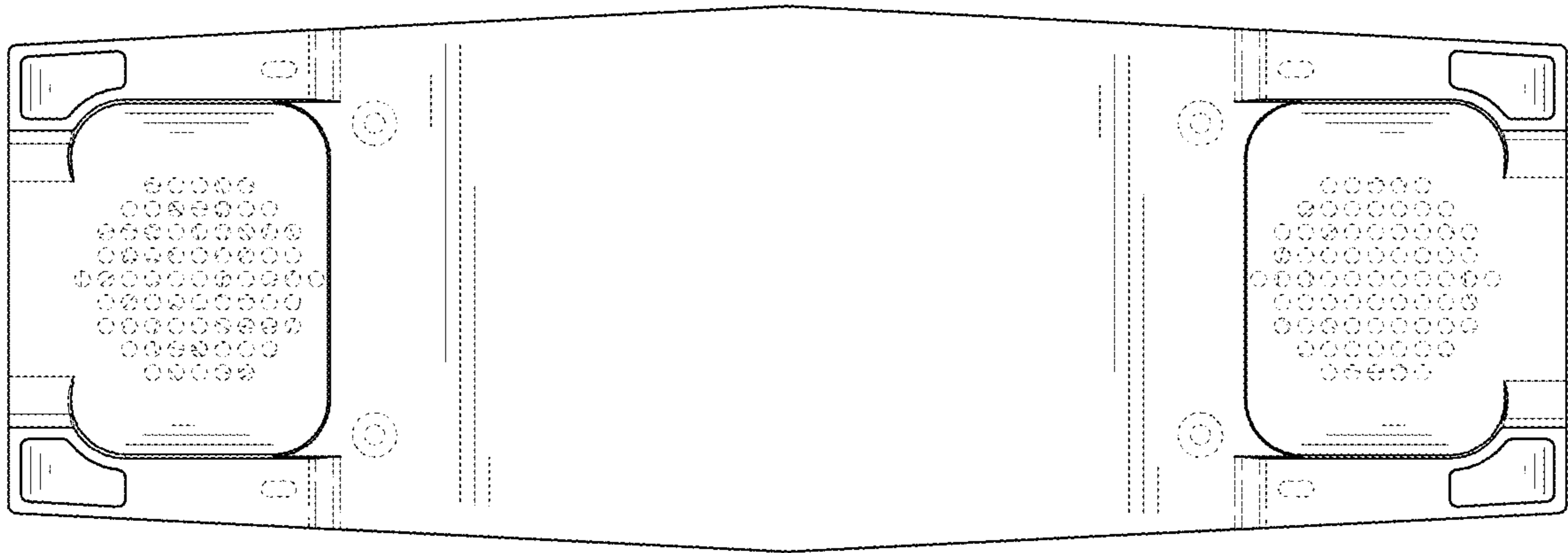


FIG. 8