



US00D965130S

(12) **United States Design Patent** (10) **Patent No.:** **US D965,130 S**
Lin (45) **Date of Patent:** **** Sep. 27, 2022**

(54) **AIR PURIFIER**
(71) Applicant: **Tianqiang Lin**, Shenzhen (CN)
(72) Inventor: **Tianqiang Lin**, Shenzhen (CN)
(**) Term: **15 Years**
(21) Appl. No.: **29/803,329**
(22) Filed: **Aug. 12, 2021**
(51) **LOC (13) Cl.** **23-04**
(52) **U.S. Cl.**
USPC **D23/364**
(58) **Field of Classification Search**
USPC D23/355-366, 352, 369, 332, 333, 335,
D23/336, 342, 351; D8/72, 394, 395
CPC .. A61L 9/16; A61L 9/22; B01D 47/00; B01D
47/027; B01D 2221/02; B01D 2259/4508;
B03C 3/155; B03C 3/368; F24F 3/16;
F24F 13/20; F24F 13/28
See application file for complete search history.

D820,423 S 6/2018 Poindexter
D827,799 S 9/2018 Shin
D839,085 S * 1/2019 Green D8/394
D844,766 S 4/2019 Miao
D853,544 S 7/2019 Vu
D888,919 S 6/2020 Riering-Czekalla
D901,621 S * 11/2020 Breitenmoser D23/209
D912,797 S * 3/2021 Gallen D23/366
D912,798 S * 3/2021 Oura D23/366
D946,372 S * 3/2022 Gilley D8/72

* cited by examiner

Primary Examiner — David G Muller

(74) *Attorney, Agent, or Firm* — Runit Ranjit Kanakia

(57) **CLAIM**

The ornamental design for a air purifier, as shown and described.

DESCRIPTION

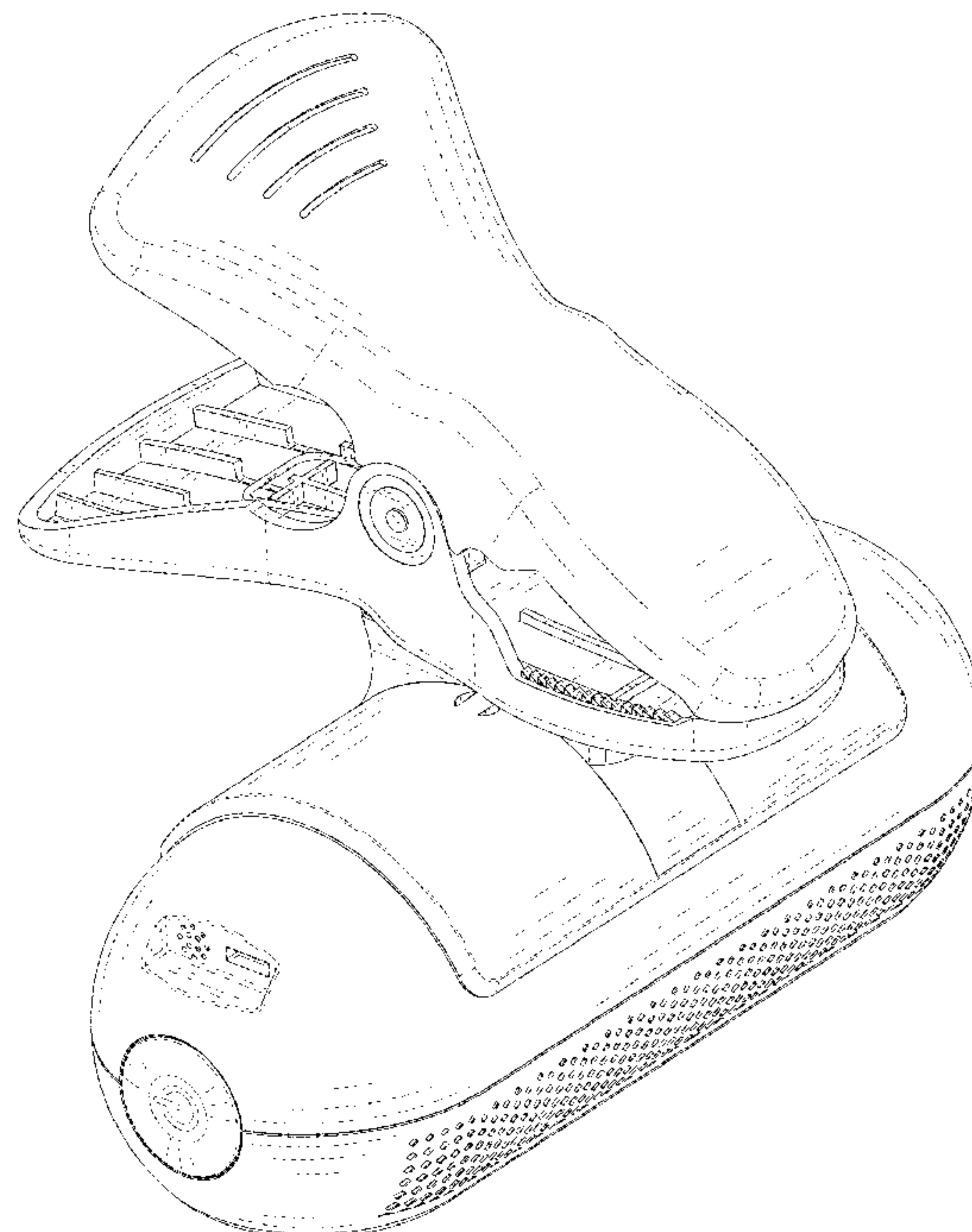
FIG. 1 is a front elevational view of a air purifier showing my new design;
FIG. 2 is a rear elevational view thereof; and
FIG. 3 is a left elevational view thereof;
FIG. 4 is a right side view thereof;
FIG. 5 is a top side view thereof;
FIG. 6 is a bottom plan view thereof;
FIG. 7 is a perspective view of a air purifier showing my new design;
FIG. 8 is the second perspective view thereof;
FIG. 9 is the third perspective view thereof; and,
FIG. 10 is the fourth perspective view thereof.
The broken lines in the figures are for the purposes of illustrating portions of the air purifier, which form no part of the claimed design.

(56) **References Cited**

U.S. PATENT DOCUMENTS

D350,892 S * 9/1994 Sorensen D8/395
D380,043 S * 6/1997 Chiu D23/370
D399,729 S * 10/1998 Chen D8/395
D442,047 S * 5/2001 Hicks D8/395
D457,409 S * 5/2002 Noniewicz D8/395
D571,179 S * 6/2008 Ahlgren D8/395
D705,410 S 5/2014 Terao
D715,417 S * 10/2014 McCoy D23/365
D734,679 S * 7/2015 Liu D10/53
D782,019 S 3/2017 Kim
D801,505 S 10/2017 Yin
D818,099 S 5/2018 Cho
D819,797 S 6/2018 Mann

1 Claim, 10 Drawing Sheets



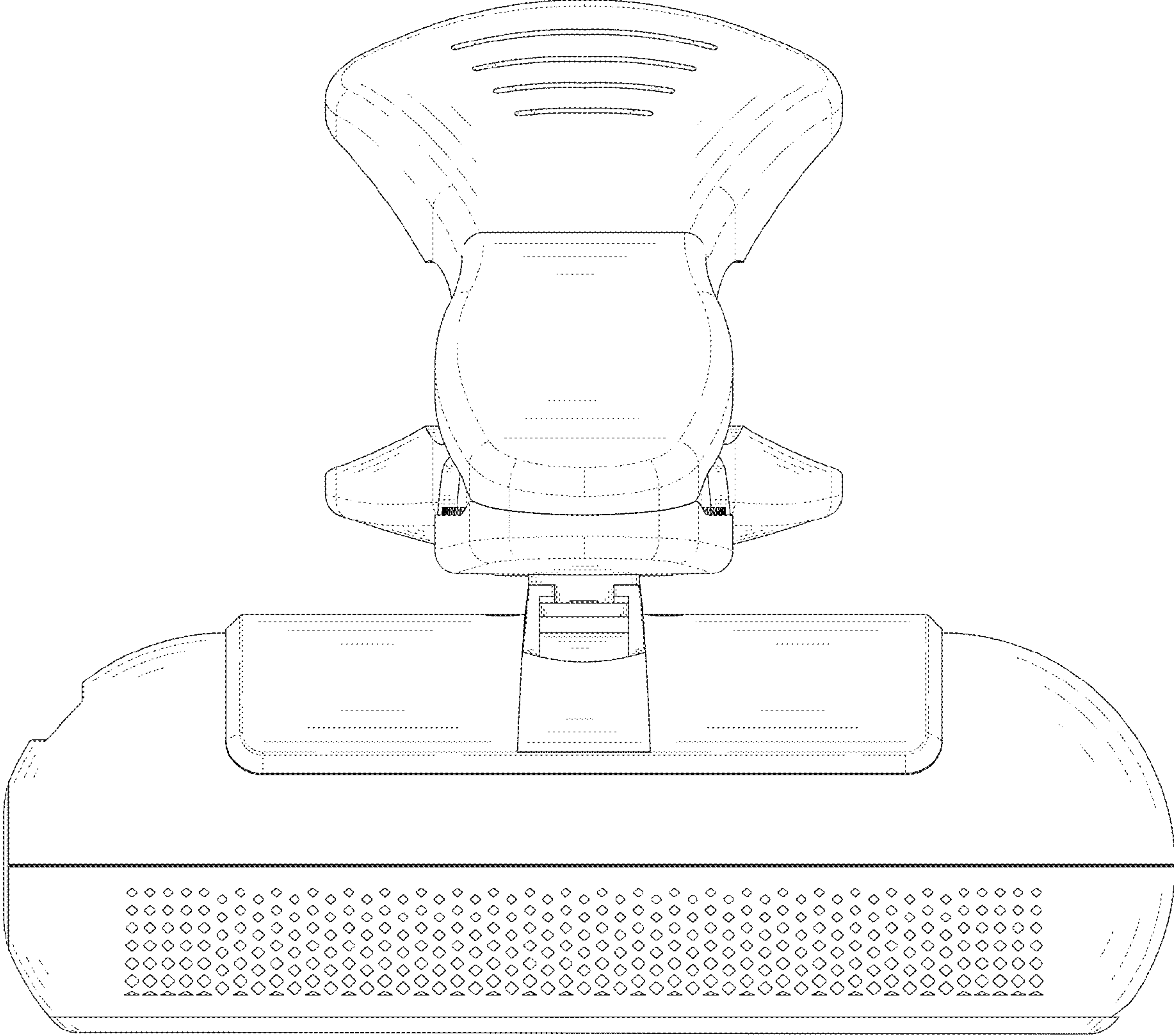


FIG. 1

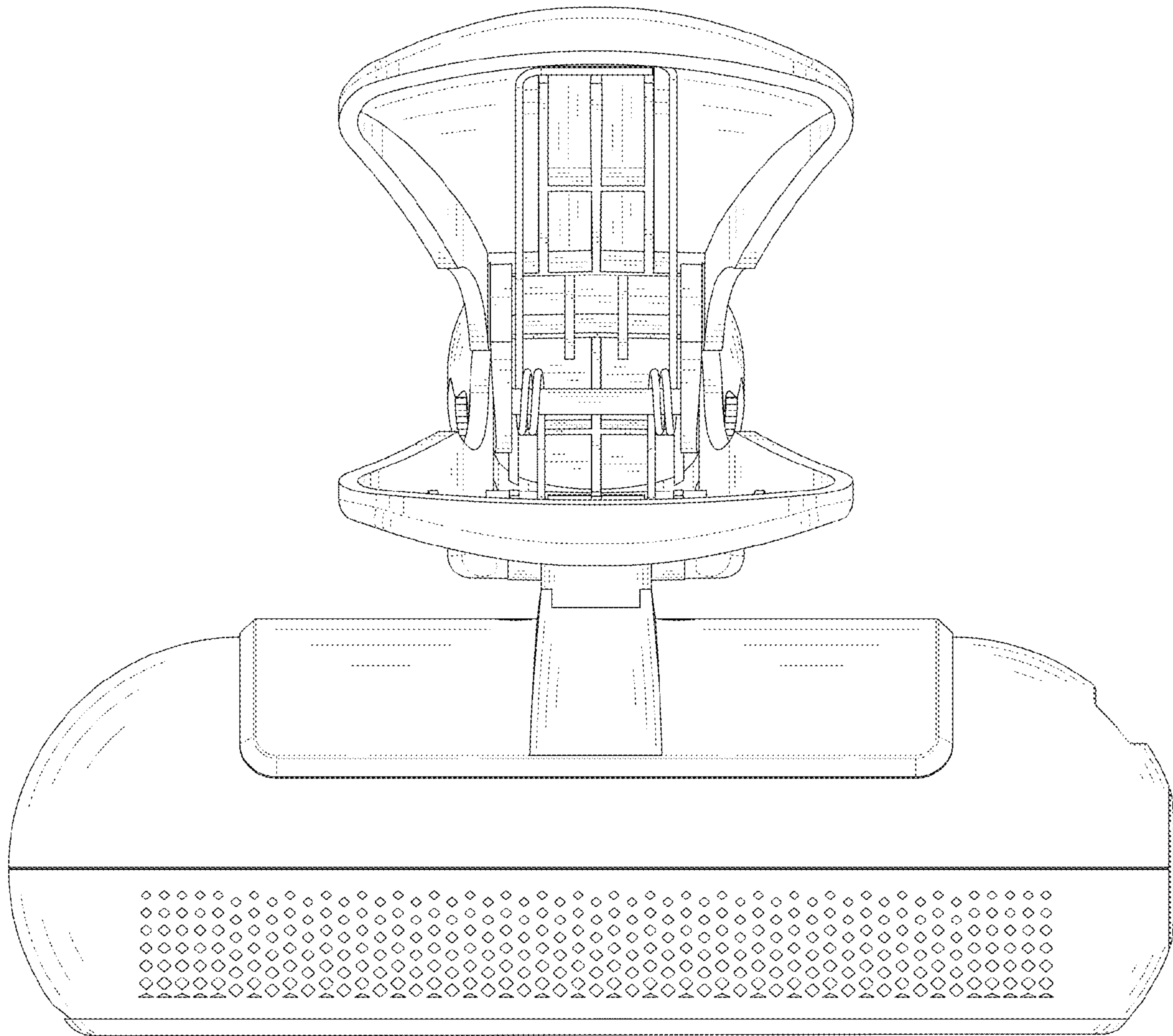


FIG. 2

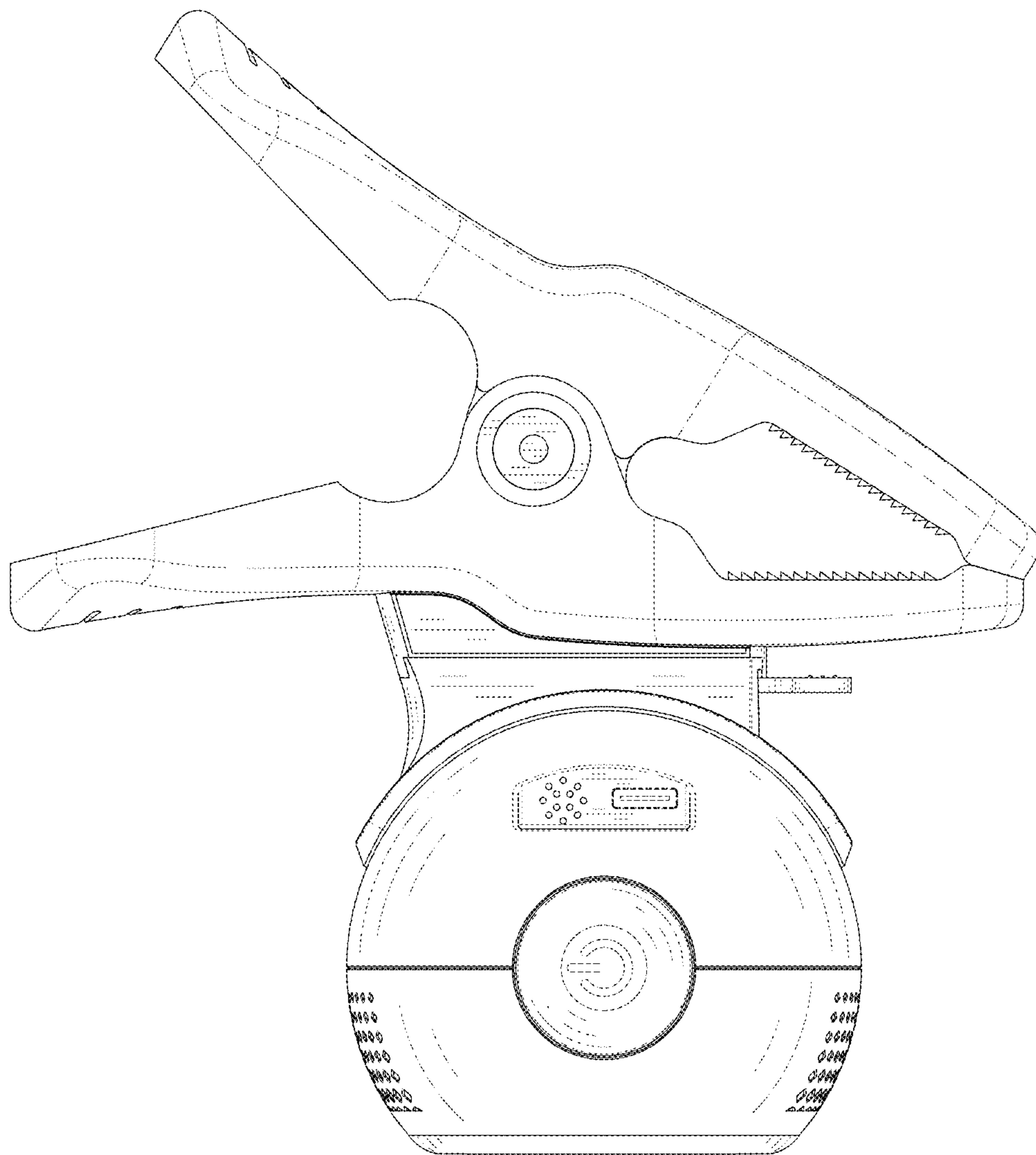


FIG. 3

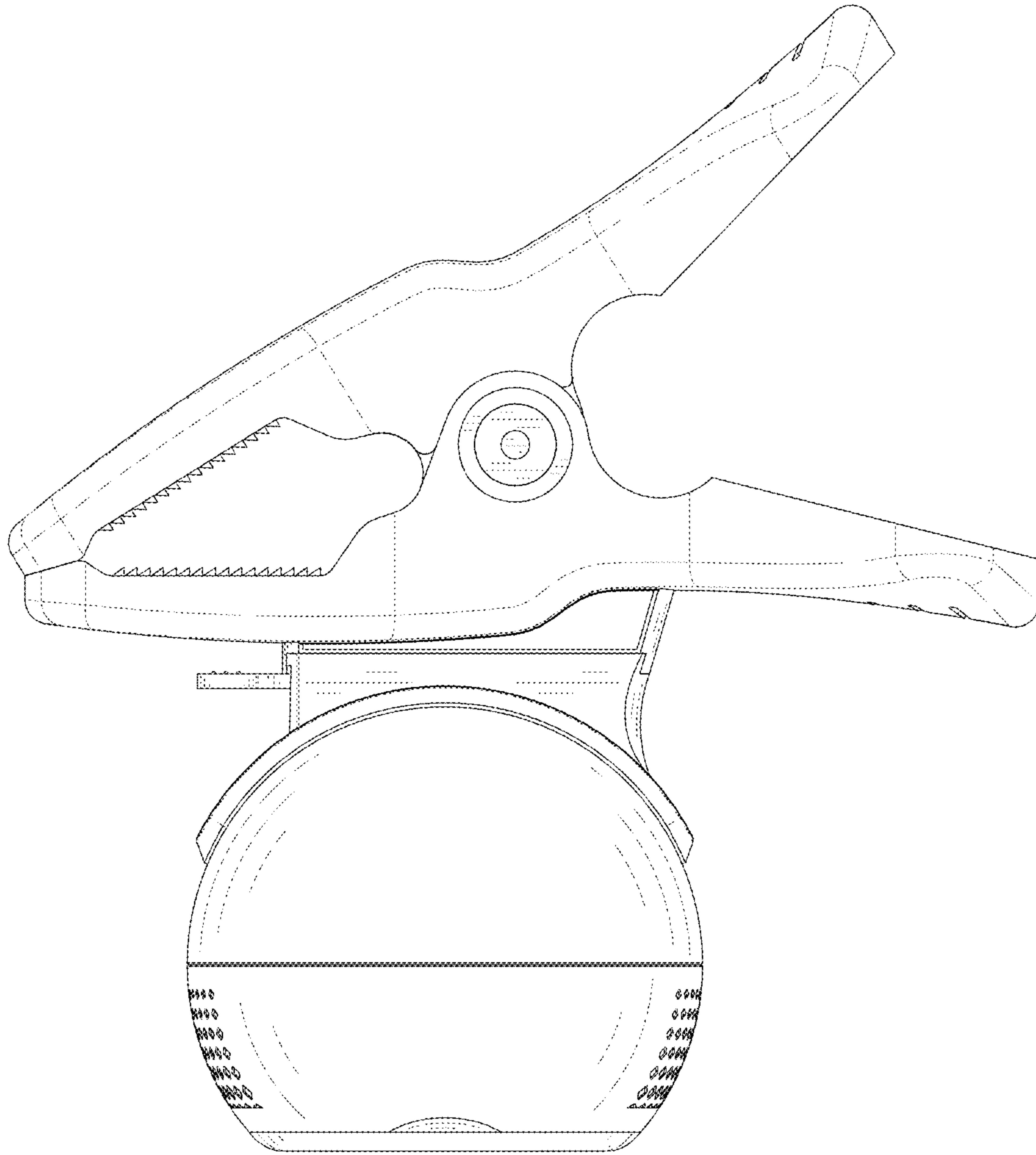


FIG. 4

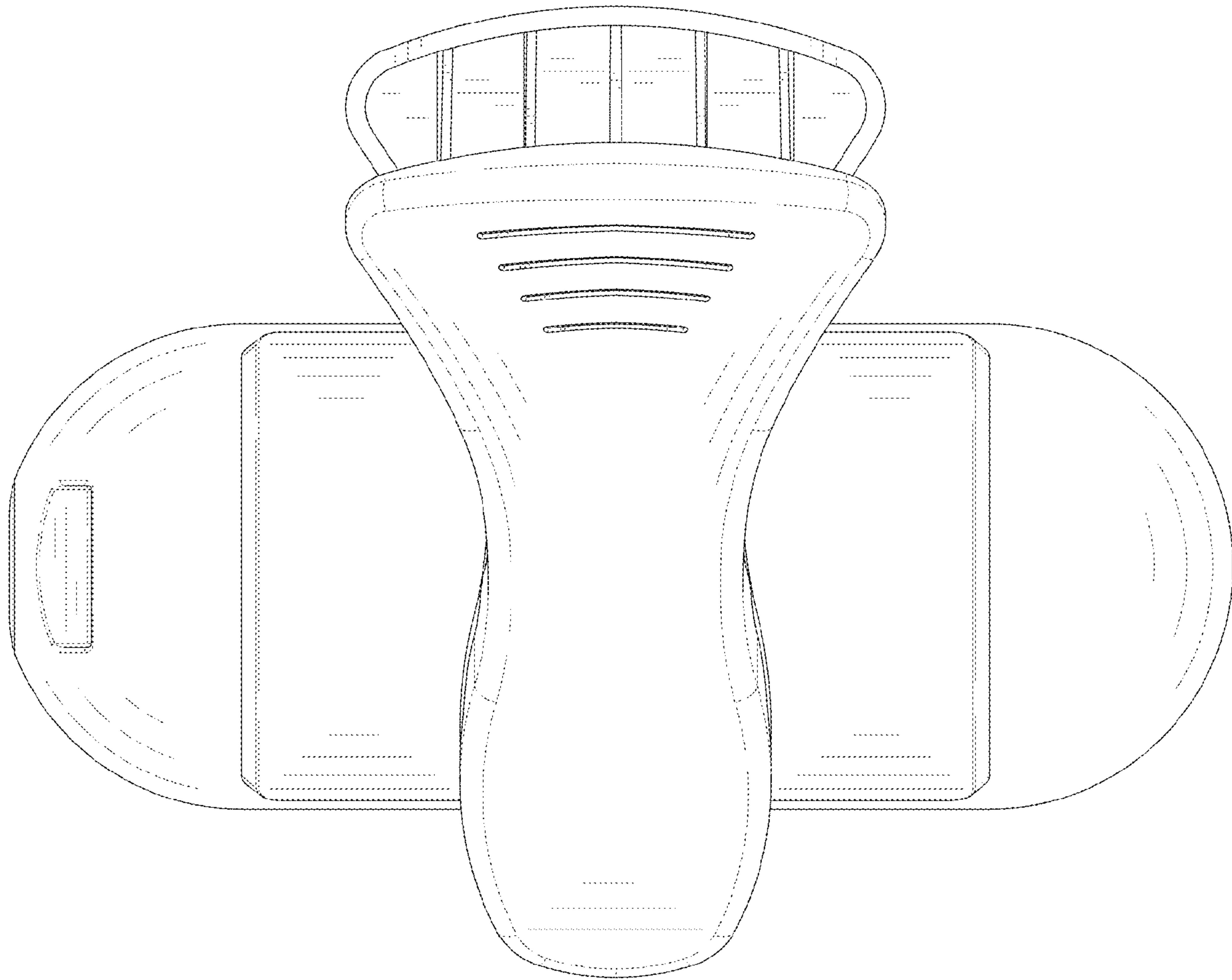


FIG. 5

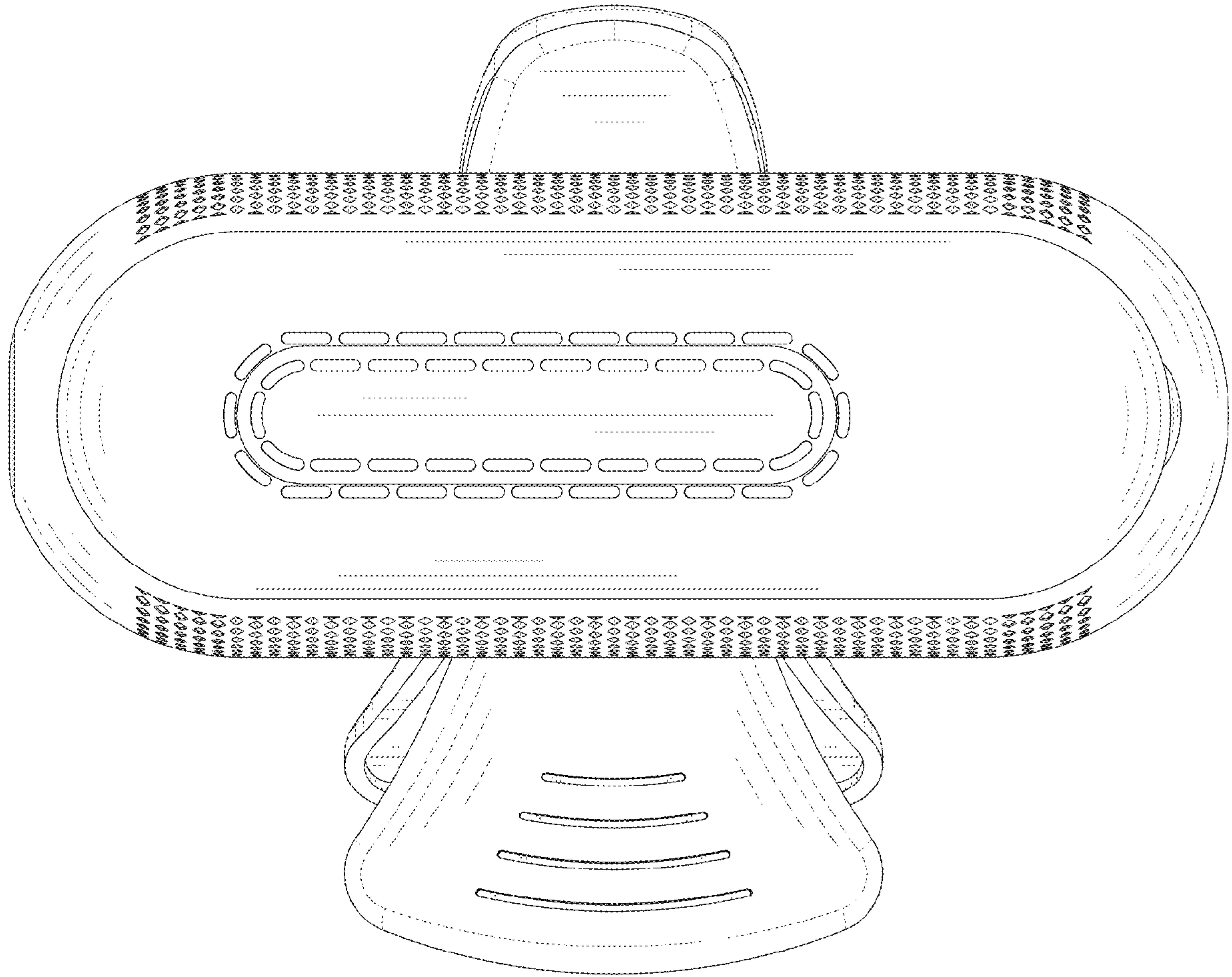


FIG. 6

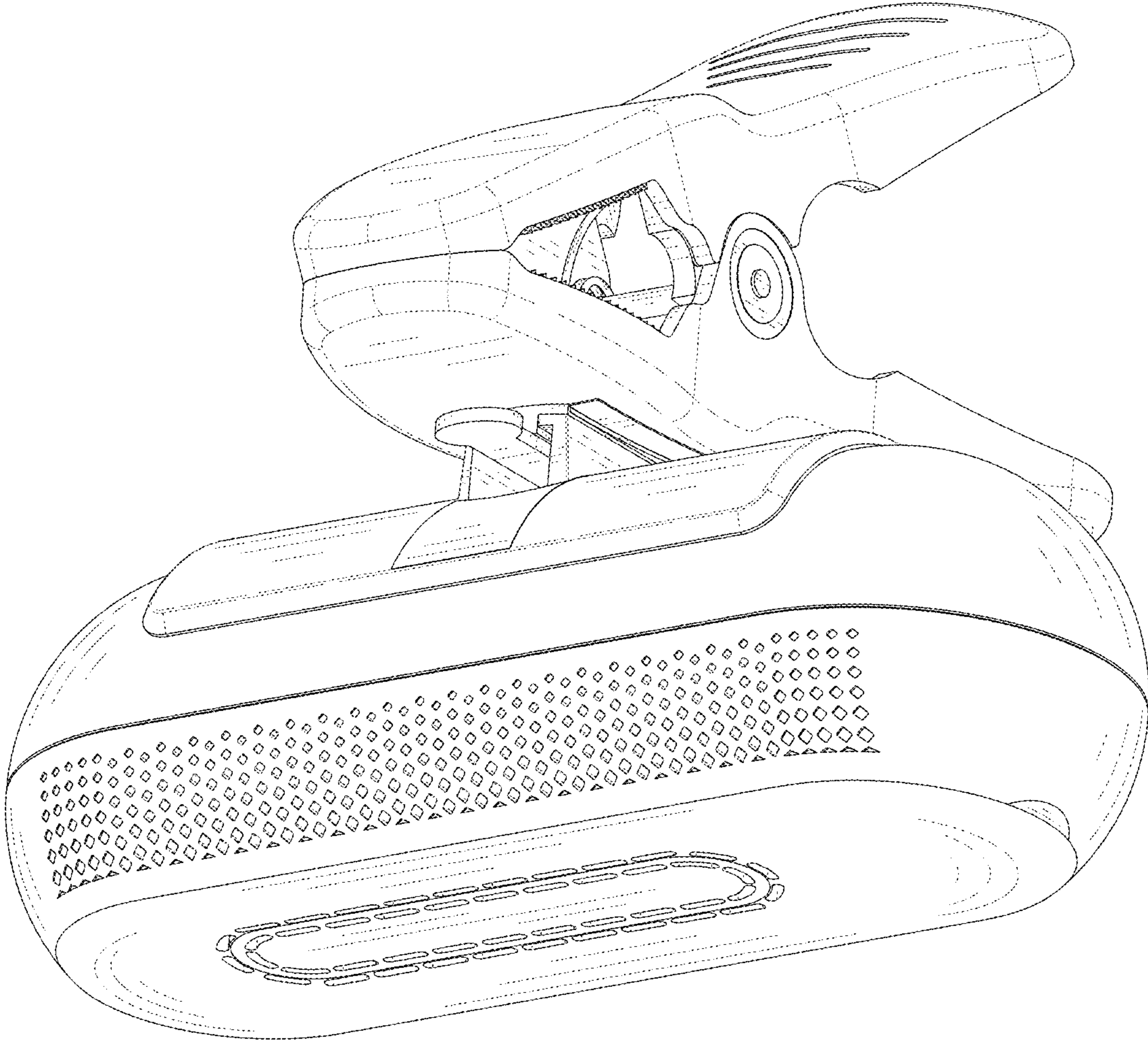


FIG. 7

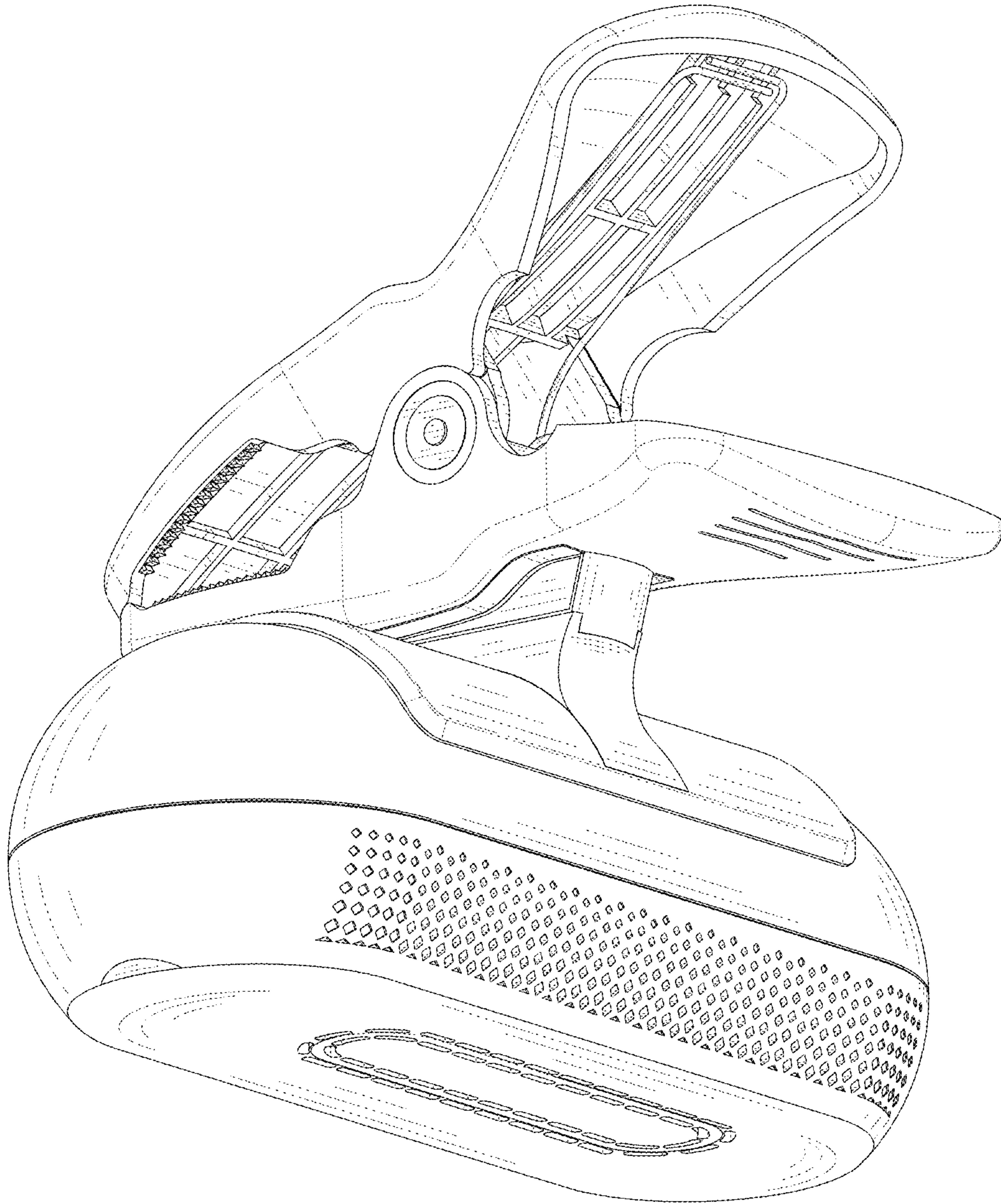


FIG. 8

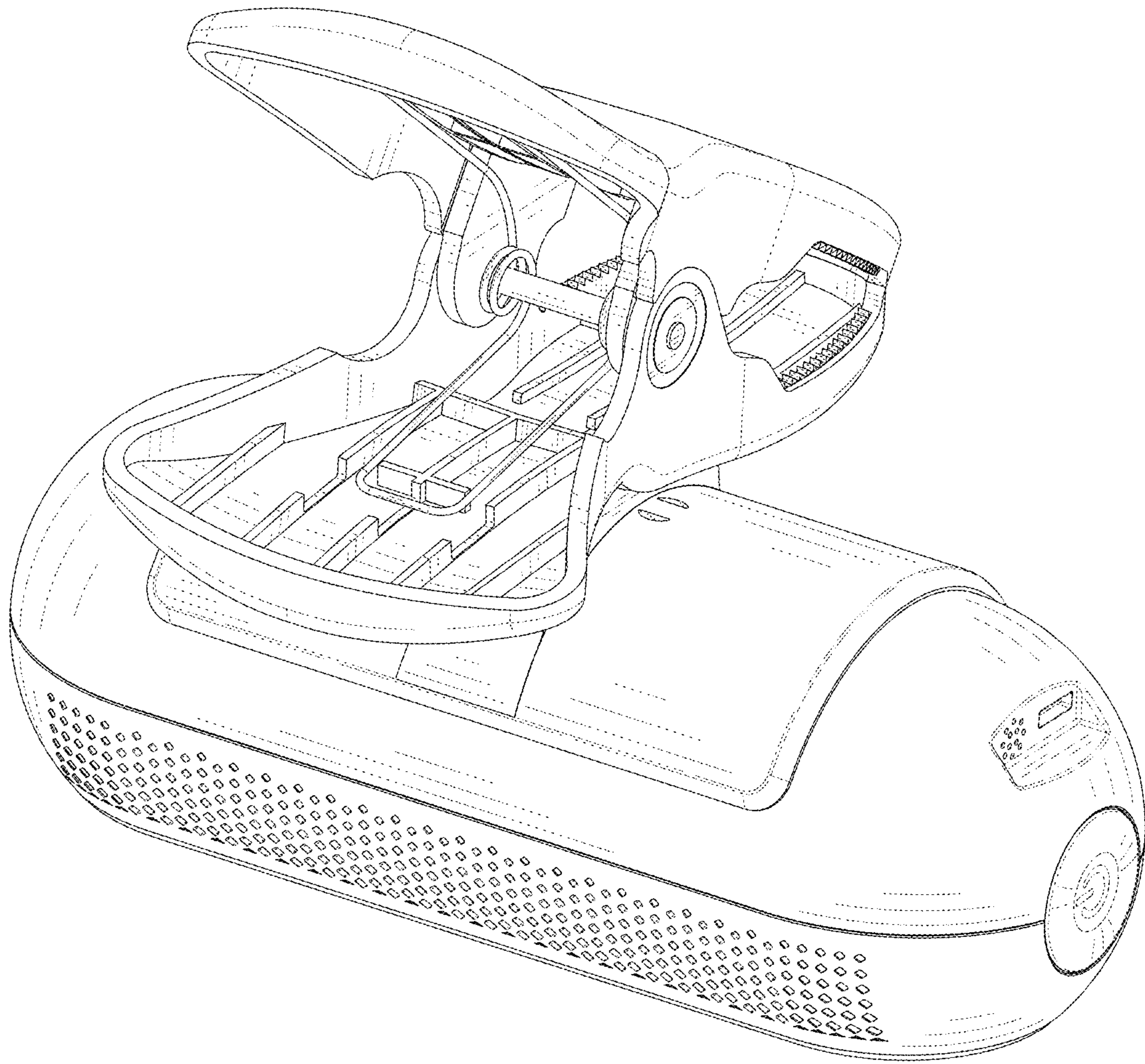


FIG. 9

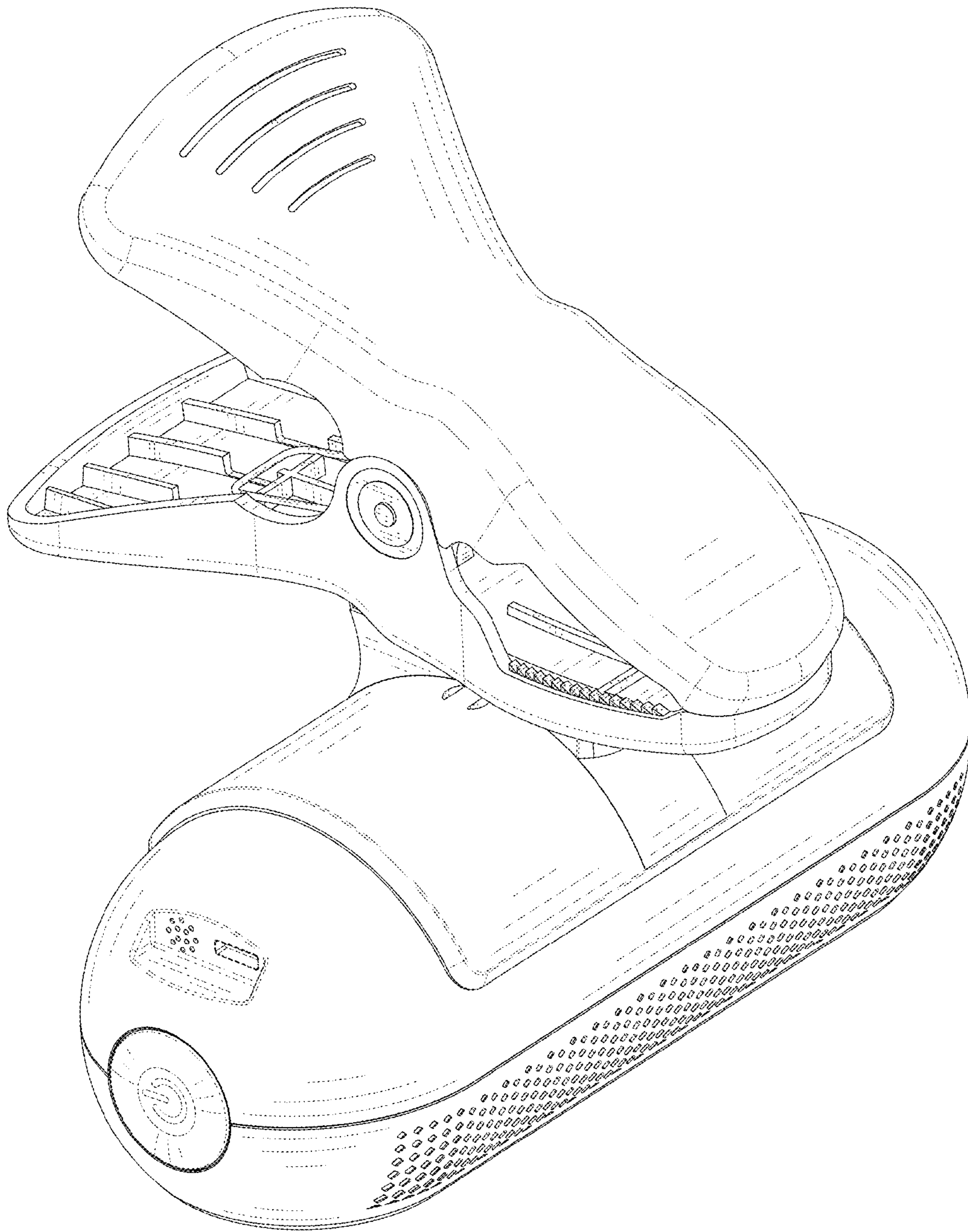


FIG. 10