



US00D965125S

(12) **United States Design Patent**
Zhang

(10) **Patent No.:** **US D965,125 S**

(45) **Date of Patent:** **** Sep. 27, 2022**

(54) **HUMIDIFIER**

(71) Applicant: **Huayong Zhang**, Hunan Province (CN)

(72) Inventor: **Huayong Zhang**, Hunan Province (CN)

(**) Term: **15 Years**

(21) Appl. No.: **29/809,589**

(22) Filed: **Sep. 29, 2021**

(30) **Foreign Application Priority Data**

Aug. 17, 2021 (CN) 202130533049.4

(51) **LOC (13) Cl.** **23-04**

(52) **U.S. Cl.**
USPC **D23/356**

(58) **Field of Classification Search**

USPC D23/355–366, 352, 369, 332, 333, 335,
D23/336, 342, 351

CPC .. A61L 9/16; A61L 9/22; B01D 47/00; B01D
47/027; B01D 2221/02; B01D 2259/4508;
B03C 3/155; B03C 3/368; F24F 3/16;
F24F 13/20; F24F 13/28

See application file for complete search history.

(56) **References Cited**

U.S. PATENT DOCUMENTS

- D449,102 S * 10/2001 Shin A61L 9/12
D23/366
- D705,918 S * 5/2014 Robinson D23/360

- D746,967 S * 1/2016 Lee D23/356
- D819,699 S * 6/2018 Krull D15/5
- D884,131 S * 5/2020 Zhu D23/335
- D884,866 S * 5/2020 Knight D23/365
- D885,543 S * 5/2020 Wang D23/364
- D909,557 S * 2/2021 Jeon D23/364
- D931,432 S * 9/2021 Baillie et al.
- D933,183 S * 10/2021 Leyden D23/366
- D934,402 S * 10/2021 Fitsch D23/356
- D936,200 S * 11/2021 Yang D23/364
- D940,845 S * 1/2022 Nakagawa D23/364

* cited by examiner

Primary Examiner — David G Muller

(57) **CLAIM**

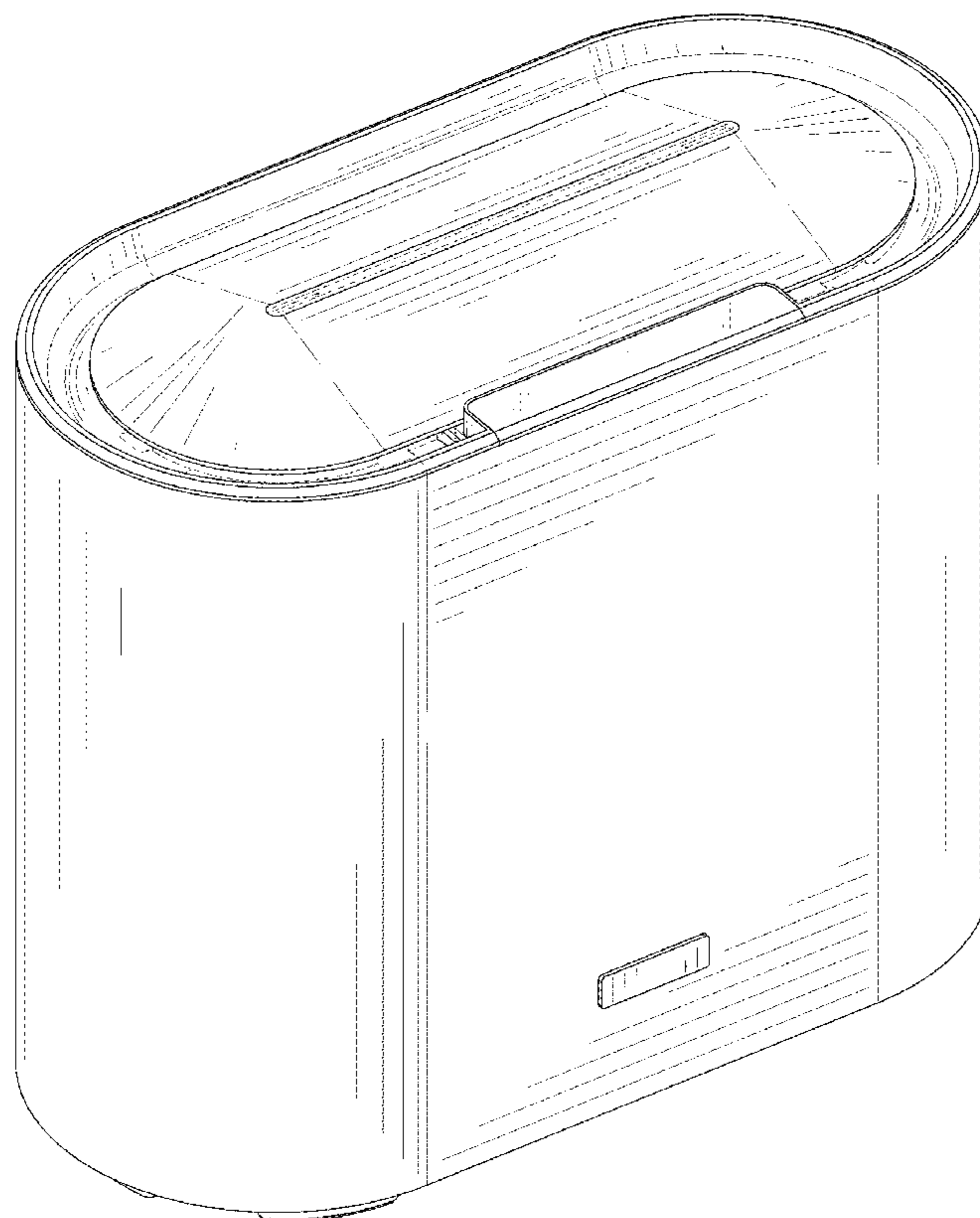
The ornamental design for a humidifier, as shown and described.

DESCRIPTION

FIG. 1 is a front and top perspective view of a humidifier, showing my new design;
 FIG. 2 is a front and bottom perspective view thereof;
 FIG. 3 is a rear and top perspective view thereof;
 FIG. 4 is a front elevation view thereof;
 FIG. 5 is a rear elevation view thereof;
 FIG. 6 is a left side elevation view thereof;
 FIG. 7 is a right side elevation view thereof;
 FIG. 8 is a top plan view thereof; and,
 FIG. 9 is a bottom plan view thereof.

The broken lines in the figures illustrate portions of the humidifier that form no part of the claimed design.

1 Claim, 9 Drawing Sheets



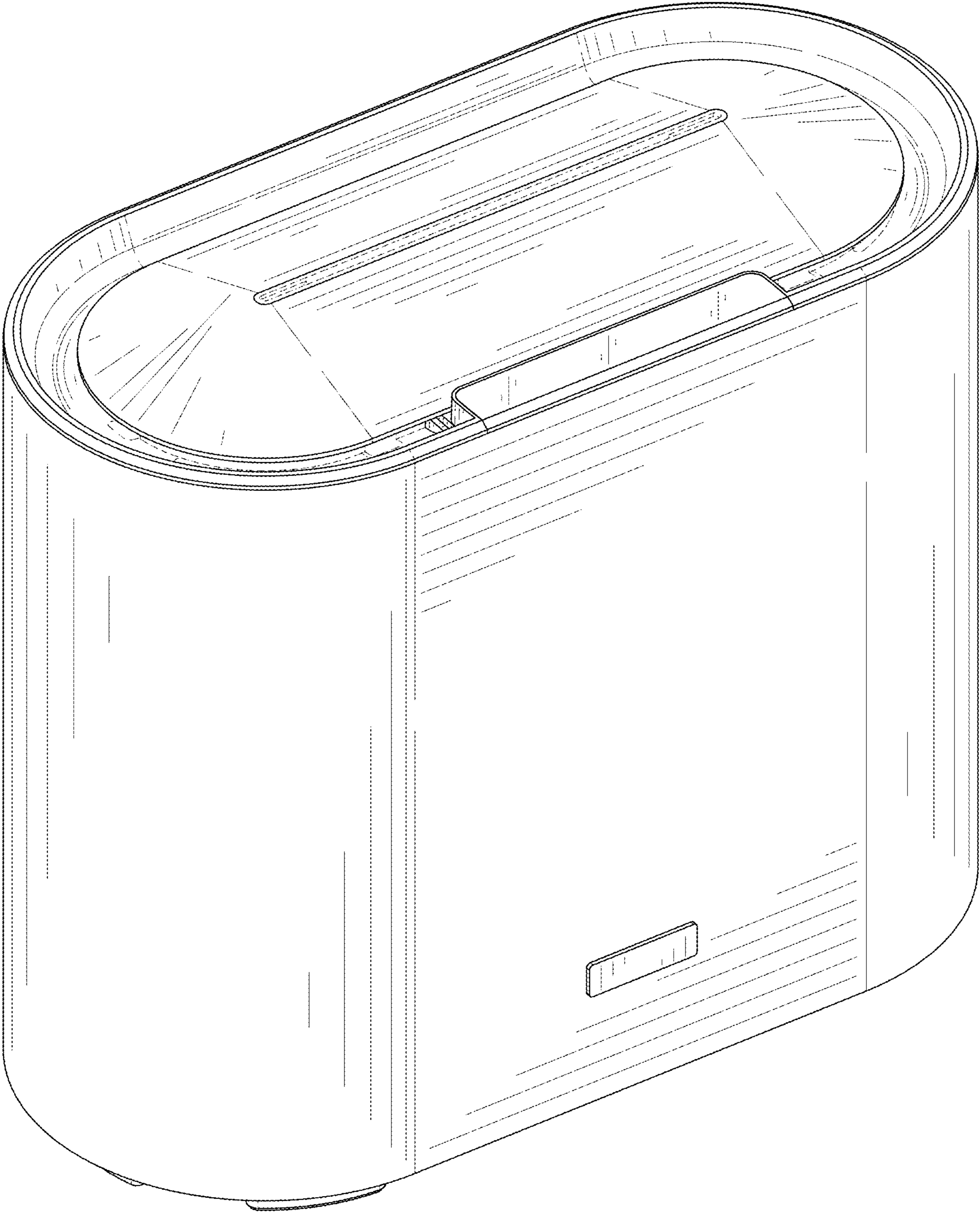


FIG. 1

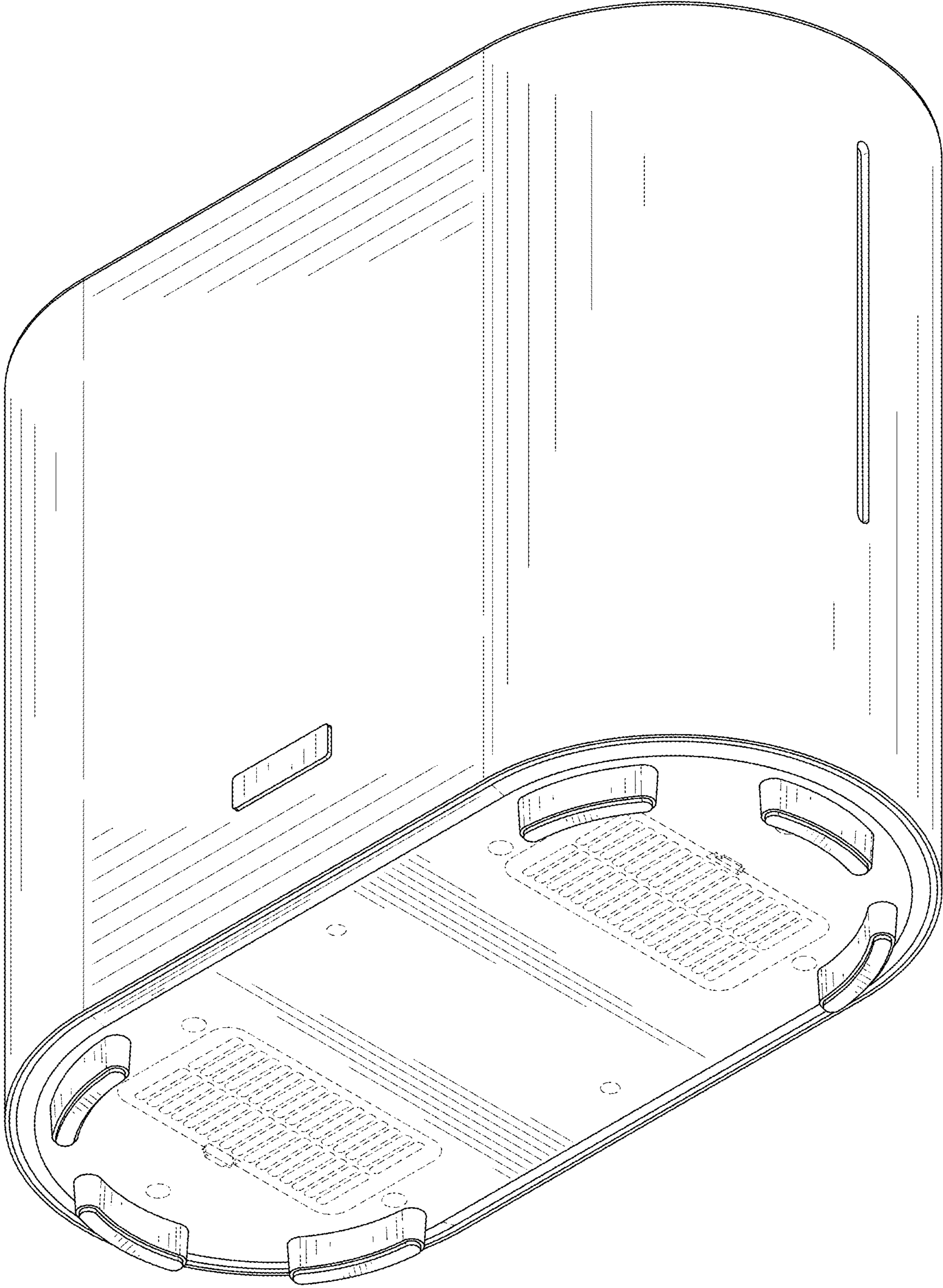


FIG. 2

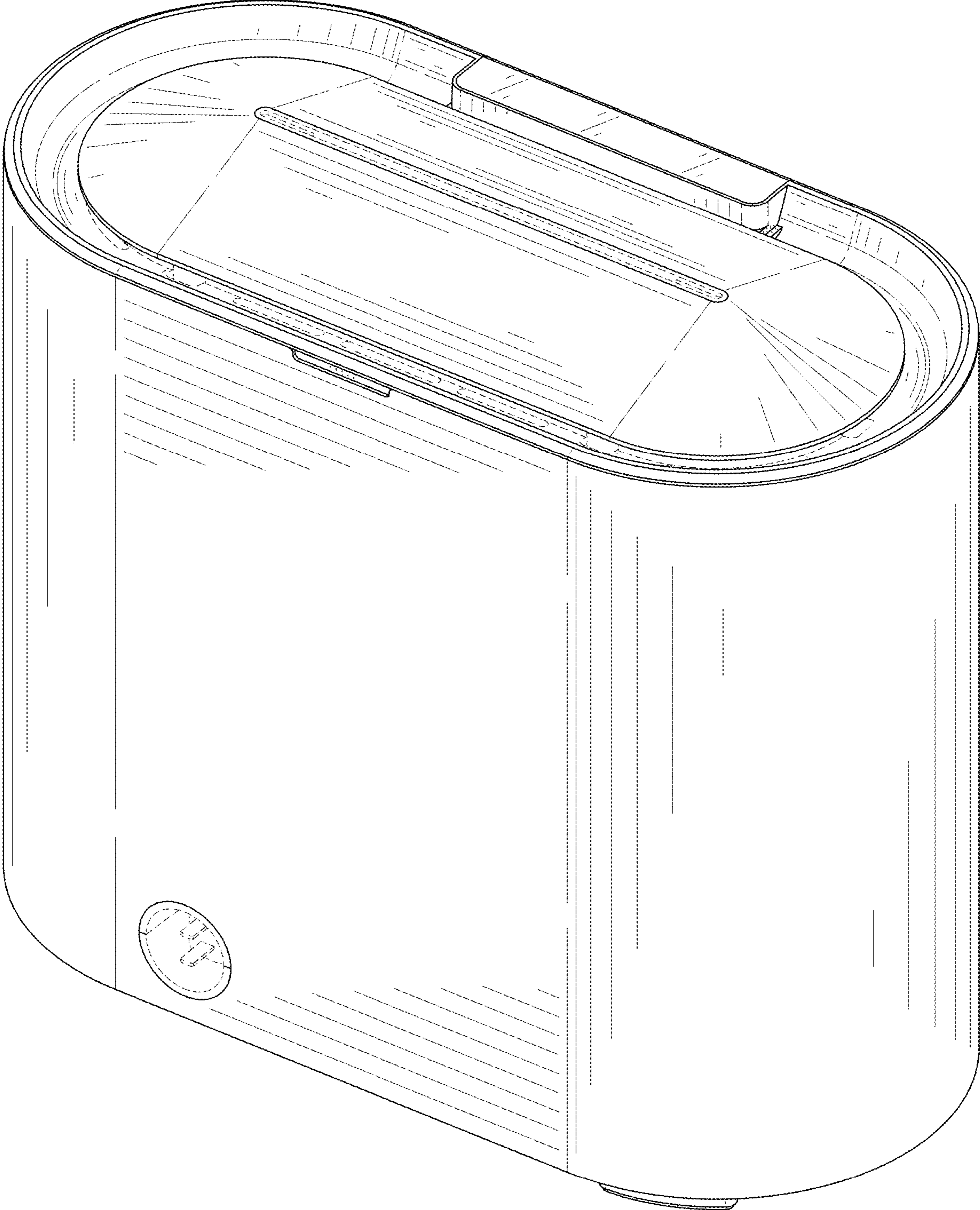


FIG. 3

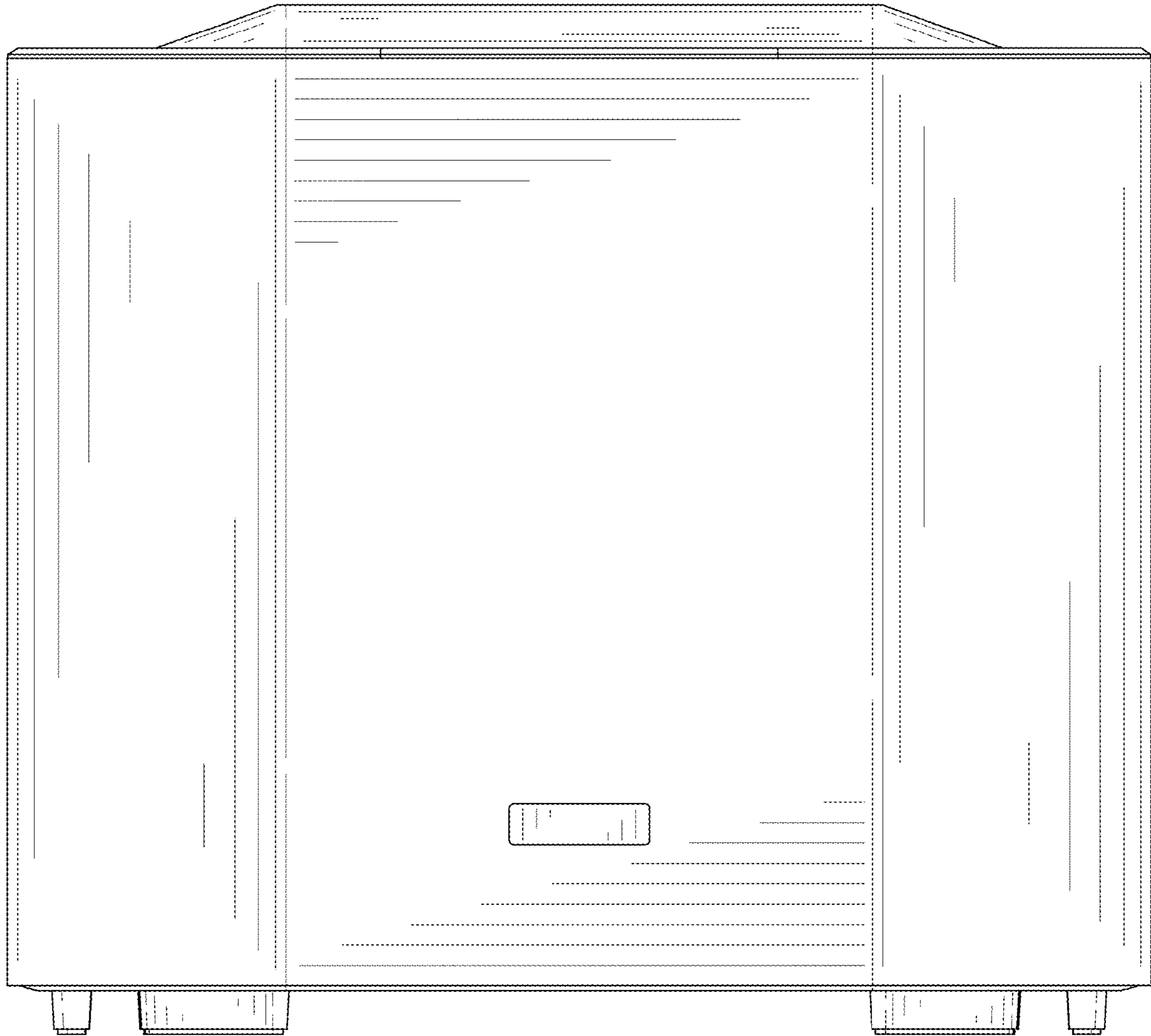


FIG. 4

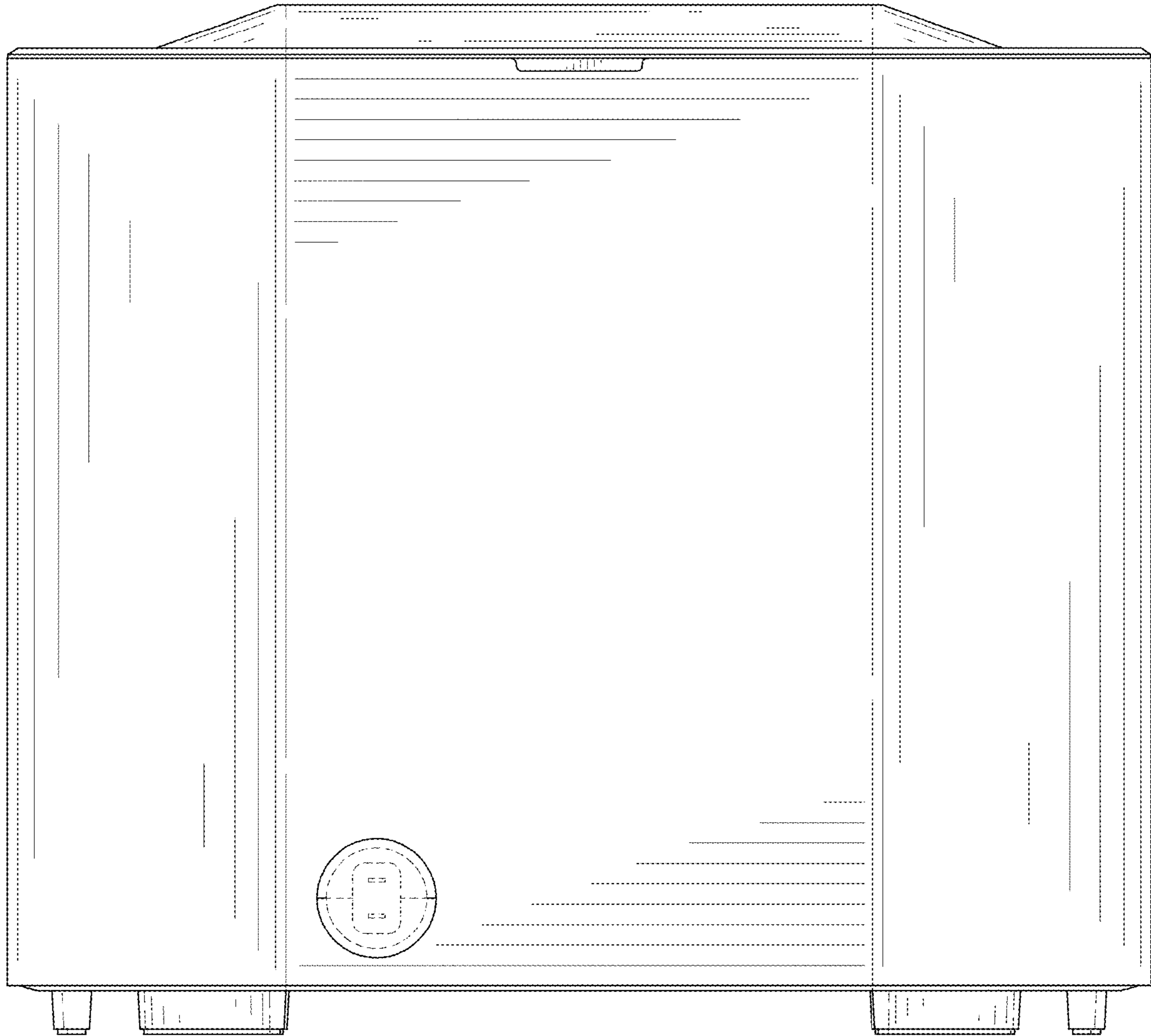


FIG. 5

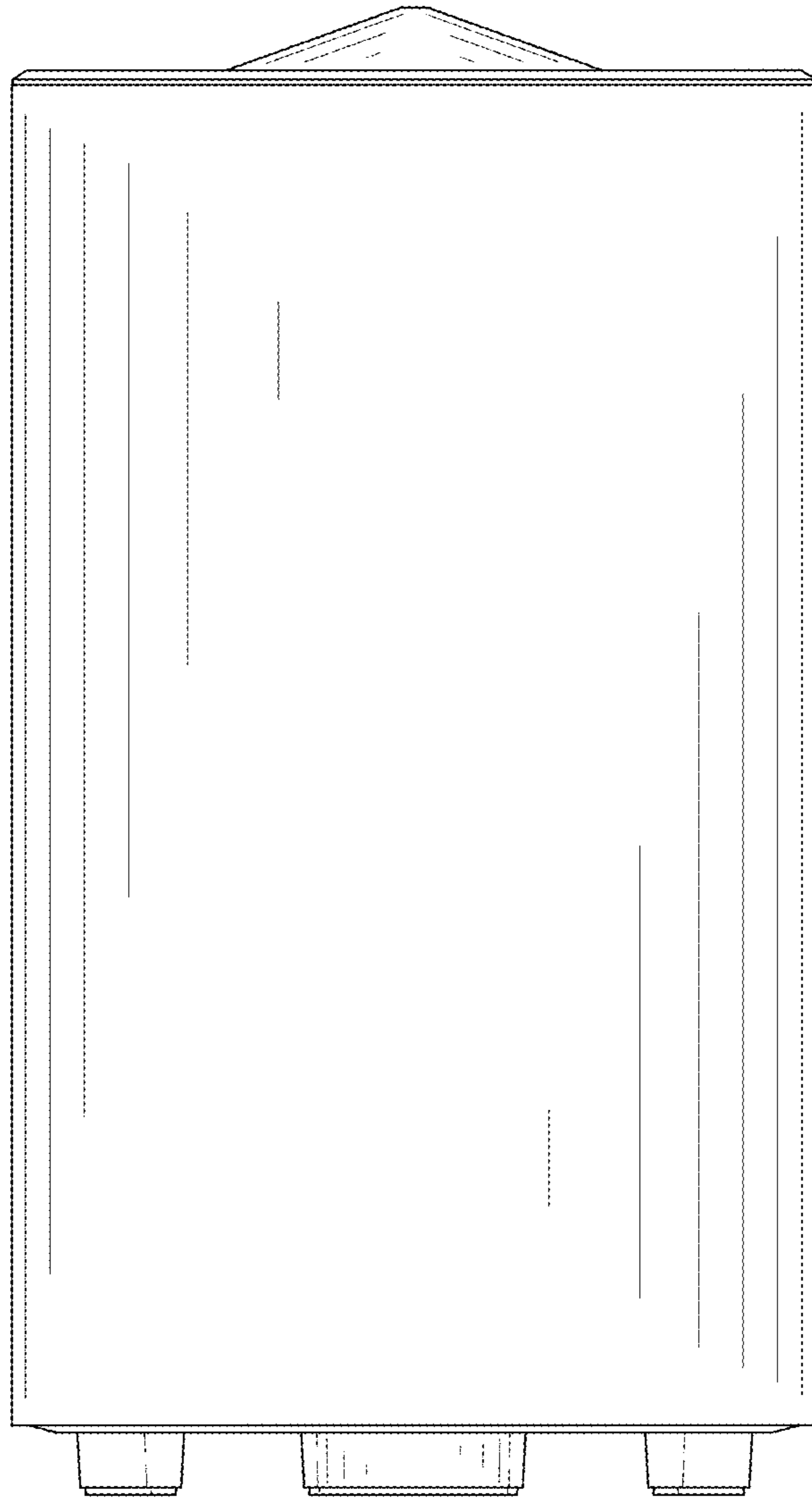


FIG. 6

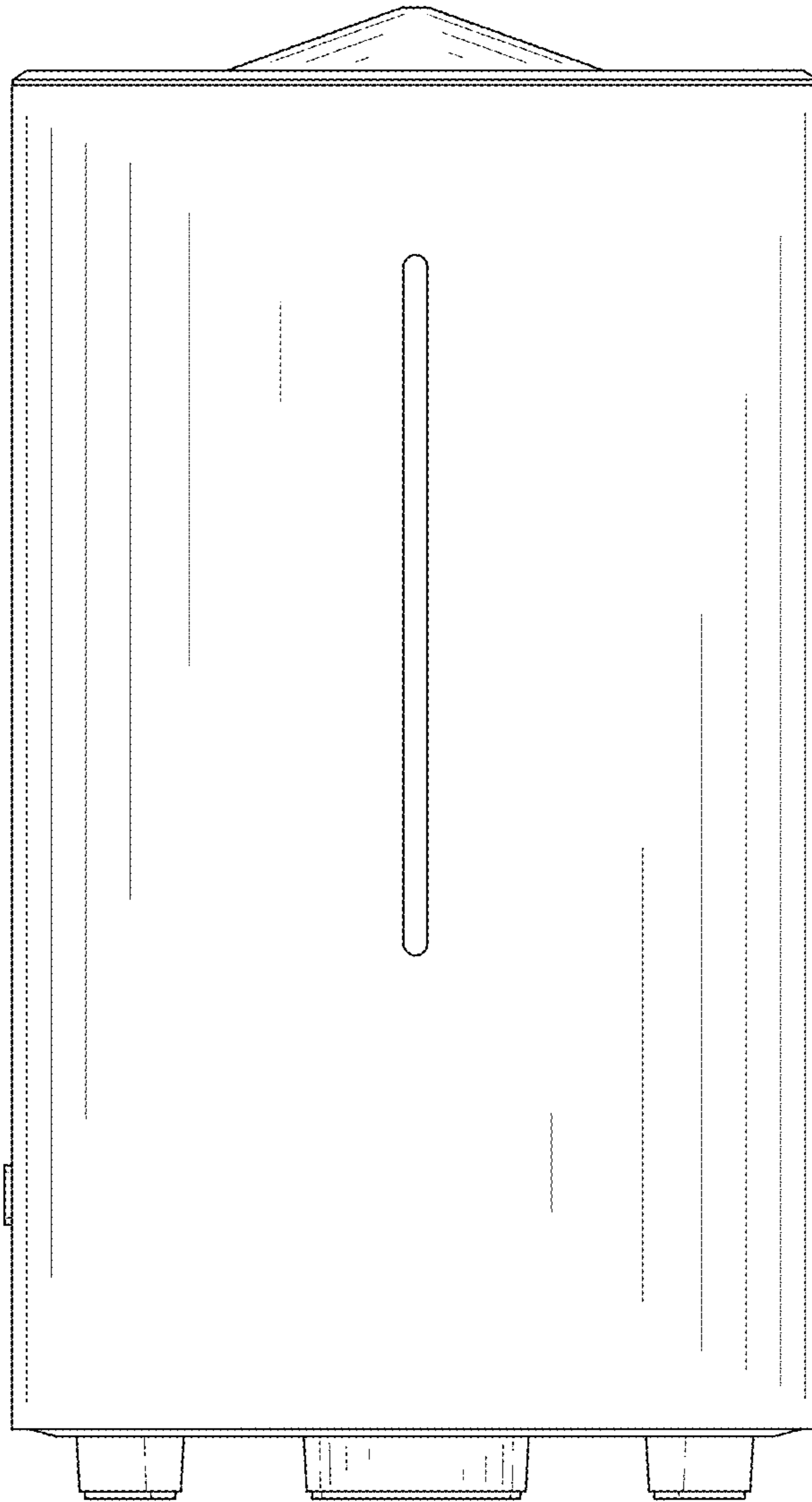


FIG. 7

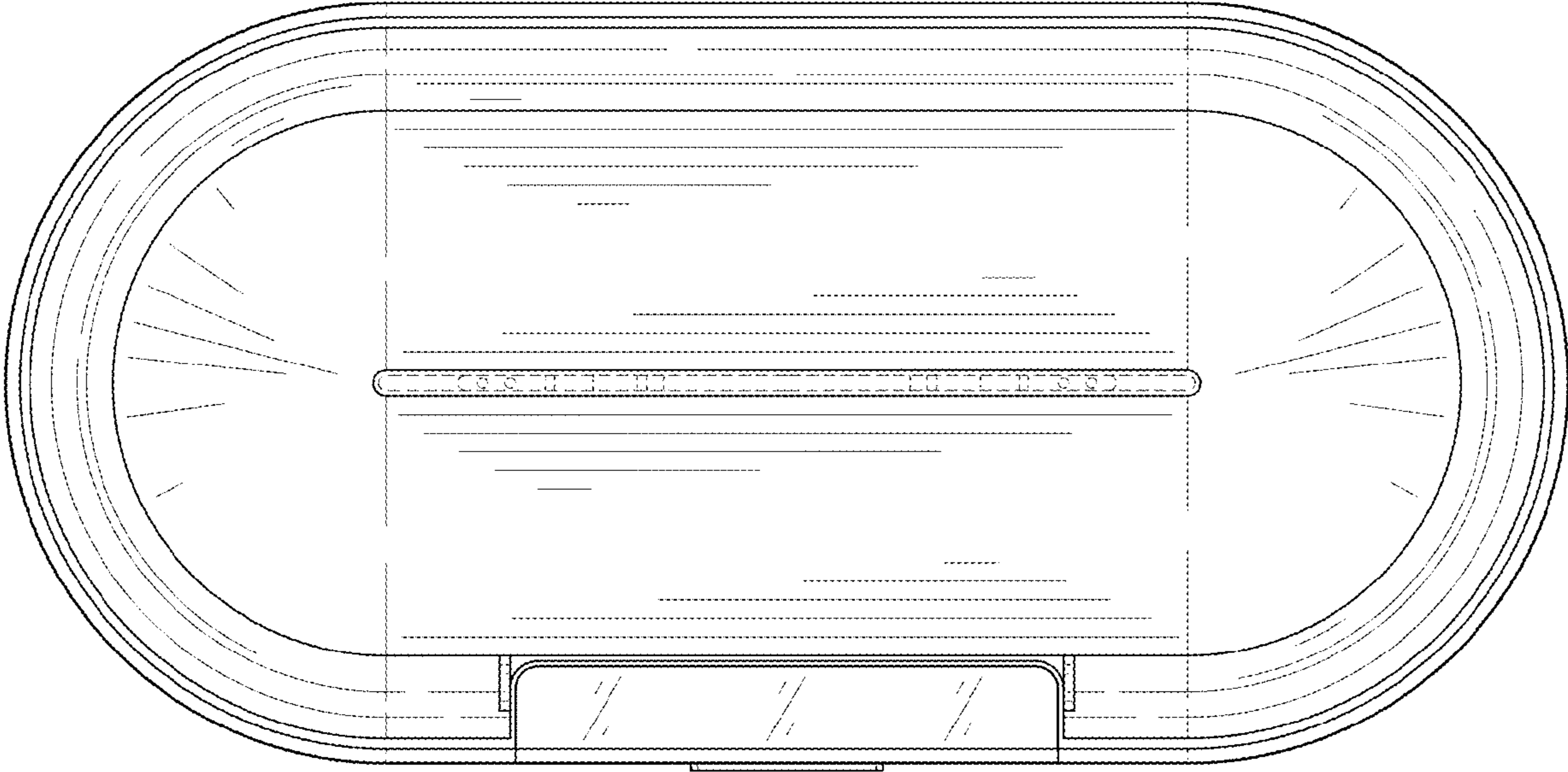


FIG. 8

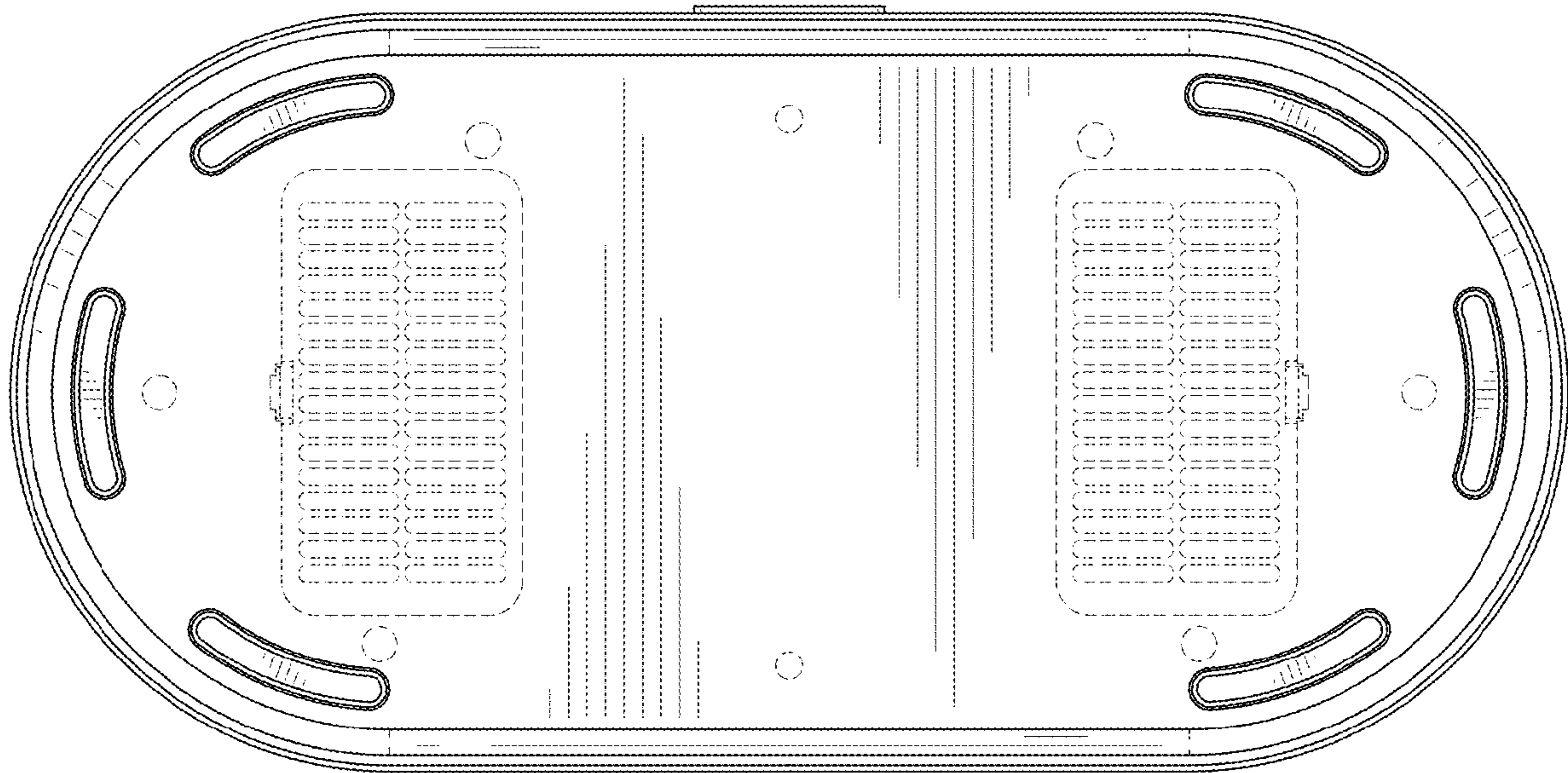


FIG. 9