



US00D965124S

(12) **United States Design Patent**
Zou

(10) **Patent No.:** **US D965,124 S**
(45) **Date of Patent:** **** Sep. 27, 2022**

- (54) **AIR-CONDITIONING FAN**
- (71) Applicant: **Weiquan Zou**, Xinhua (CN)
- (72) Inventor: **Weiquan Zou**, Xinhua (CN)
- (**) Term: **15 Years**
- (21) Appl. No.: **29/790,794**
- (22) Filed: **Dec. 15, 2021**
- (51) **LOC (13) Cl.** **23-04**
- (52) **U.S. Cl.**
USPC **D23/351**
- (58) **Field of Classification Search**
USPC D23/333, 351–354, 388
CPC F24F 1/00; F24F 1/0007; F24F 1/02; F24F 1/08; F24F 1/42; F24F 1/56; F24F 1/60; F24F 3/044; F24F 3/048; F24F 3/16; G05D 23/1905; G05D 23/1932; G05D 23/1902; G05D 23/1931; G05B 19/0426; G05B 19/409; G05B 15/02
See application file for complete search history.

- D898,174 S 10/2020 Kim et al.
- D912,796 S * 3/2021 Huang D23/364
- D913,466 S * 3/2021 Shen D23/351
- D933,179 S * 10/2021 Fu D23/333
- D945,587 S * 3/2022 Yan D23/364
- D948,679 S * 4/2022 Barlettano D23/333

* cited by examiner

Primary Examiner — Natasha Vujcic
(74) *Attorney, Agent, or Firm* — Zhihua Han

(57) **CLAIM**

The ornamental design for an air-conditioning fan, as shown and described.

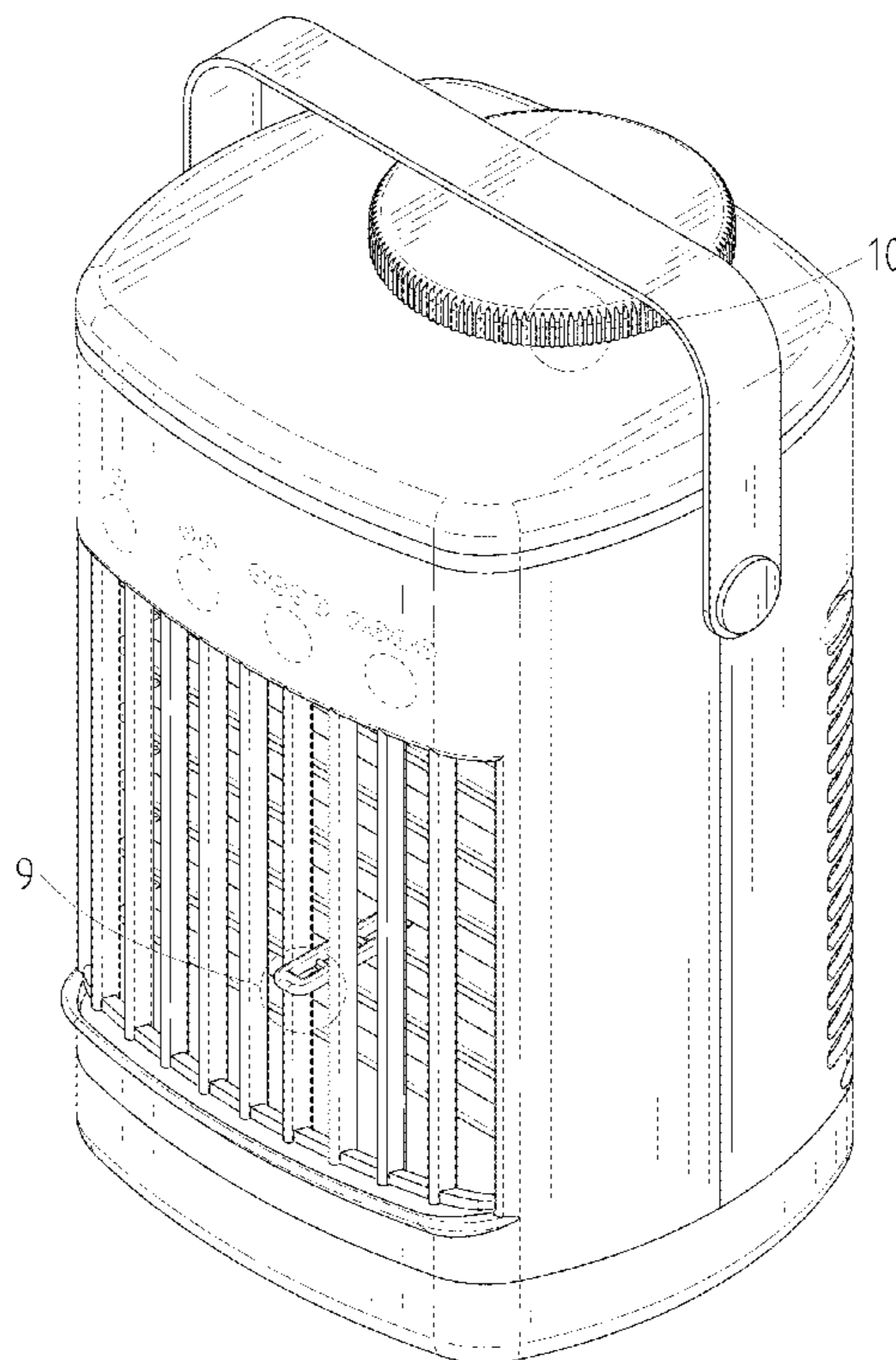
DESCRIPTION

FIG. 1 is a first perspective view of an air-conditioning fan showing my new design;
 FIG. 2 is a second perspective view thereof;
 FIG. 3 is a front view thereof;
 FIG. 4 is a back view thereof;
 FIG. 5 is a left side view thereof;
 FIG. 6 is a right side view thereof;
 FIG. 7 is a top view thereof;
 FIG. 8 is a bottom view thereof;
 FIG. 9 is an enlarged view of the selected portion in FIG. 1; and,
 FIG. 10 is an enlarged view of the selected portion in FIG. 1.
 The broken lines shown in the drawings depict portions of the air-conditioning fan in which the design is embodied that form no part of the claimed design.

(56) **References Cited**
U.S. PATENT DOCUMENTS

- D395,490 S * 6/1998 Jane' D23/335
- D673,665 S * 1/2013 Langford D23/359
- D750,209 S * 2/2016 Satou D23/364
- D791,290 S * 7/2017 Shapiro D23/335
- D791,292 S * 7/2017 Kim D23/333
- D841,140 S * 2/2019 Chen D23/336
- D849,220 S * 5/2019 Fang D23/351
- D865,144 S 10/2019 Yoo et al.
- D888,210 S 6/2020 Kim et al.

1 Claim, 10 Drawing Sheets



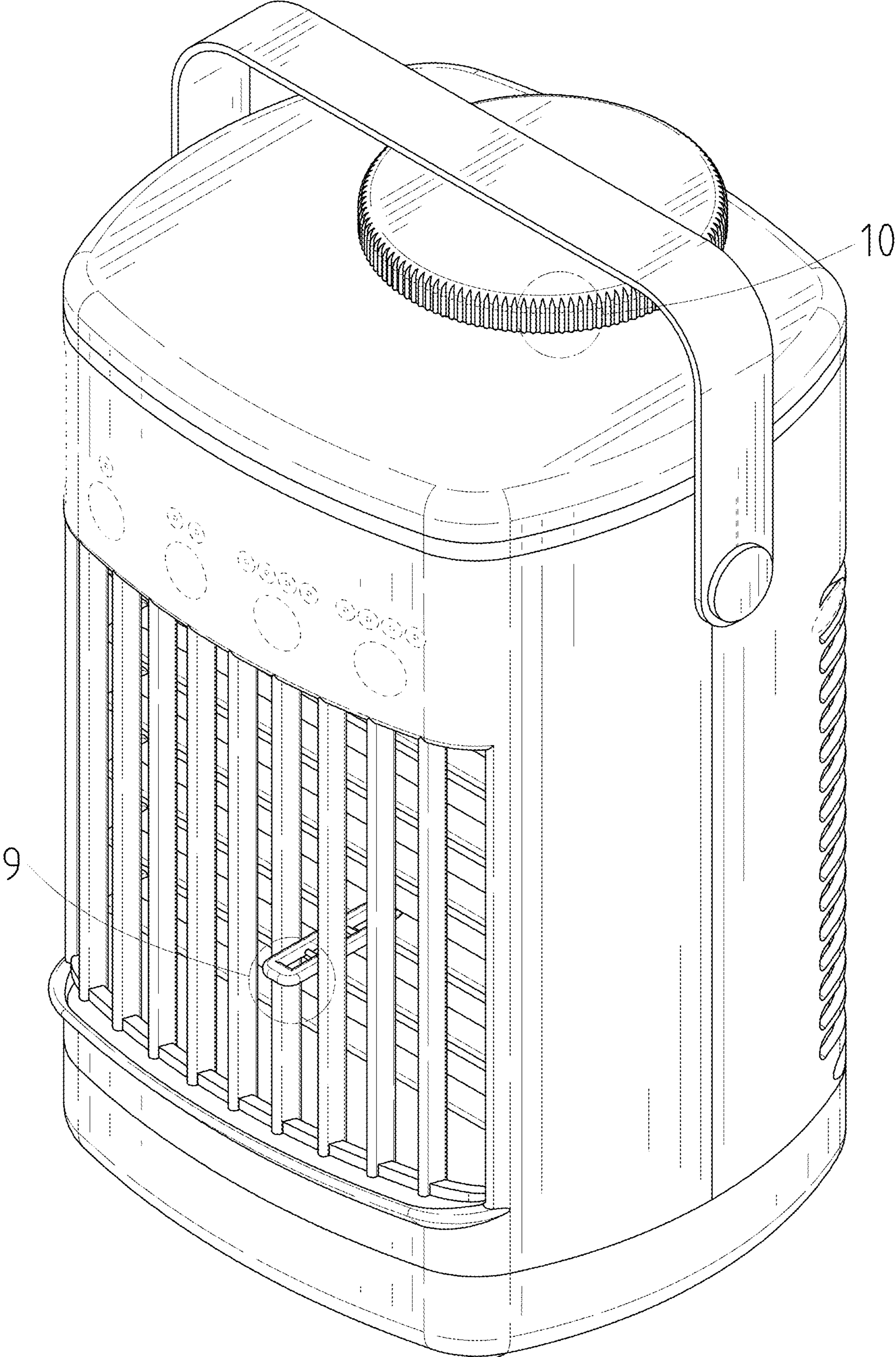


FIG. 1

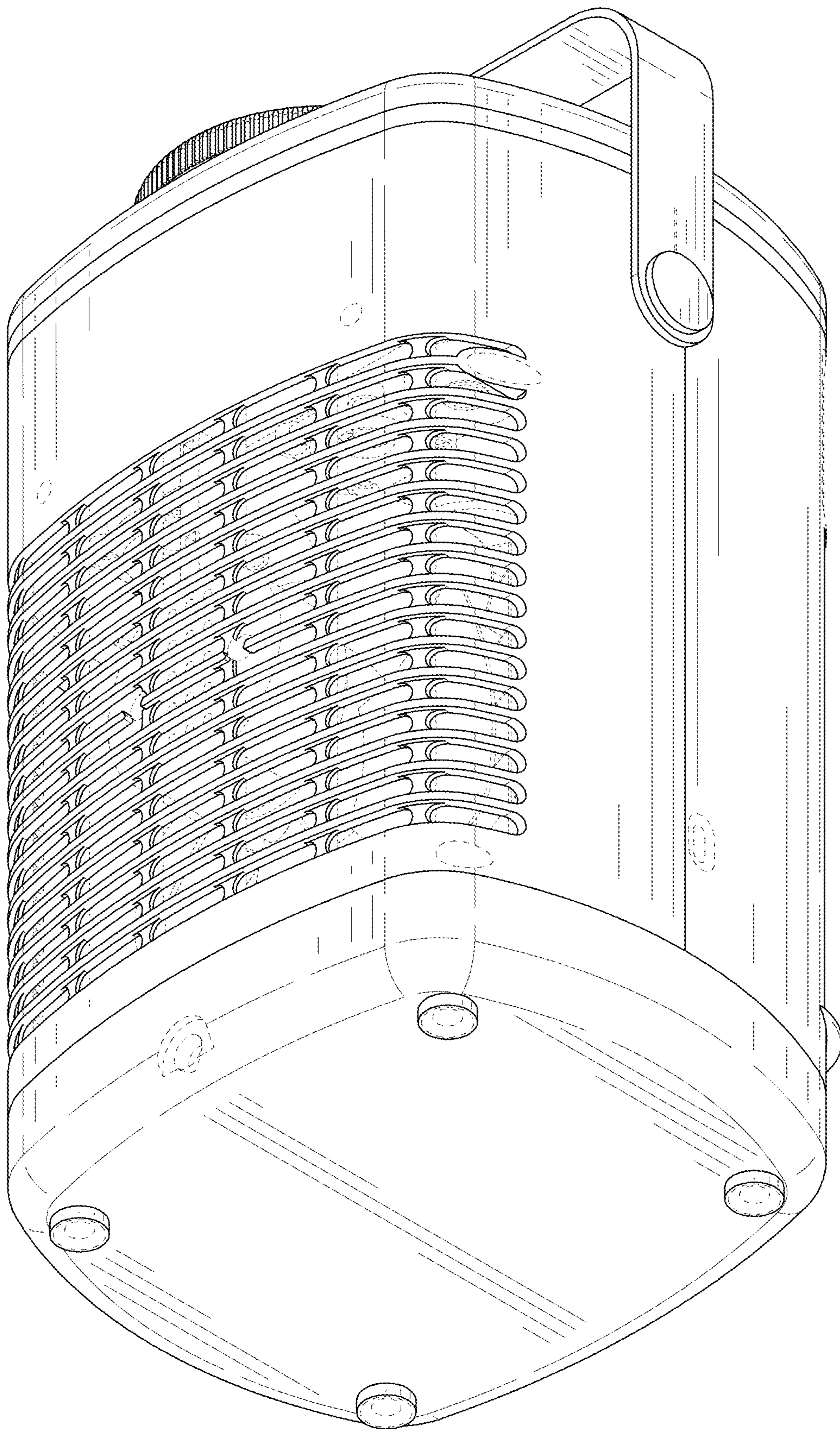


FIG. 2

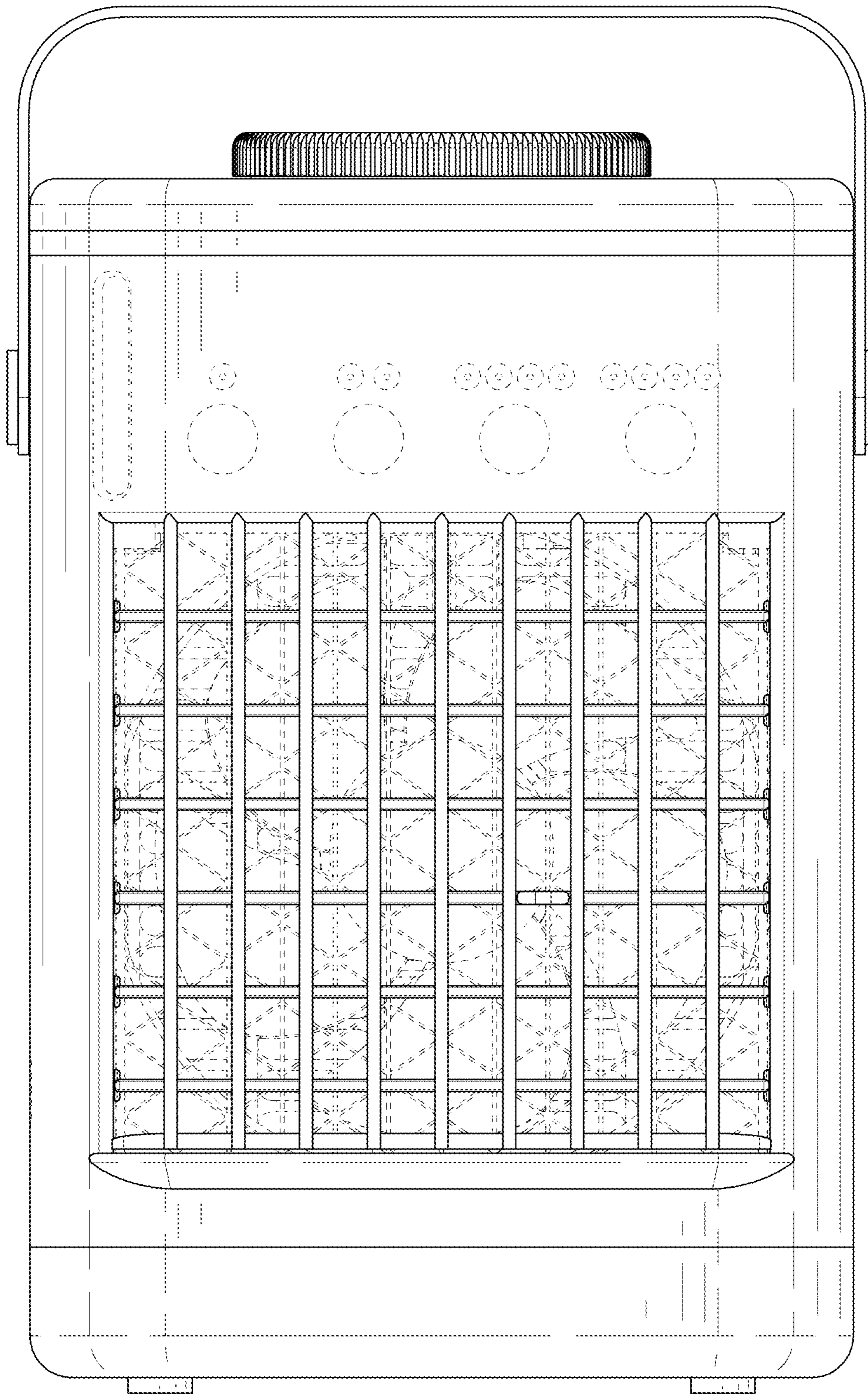


FIG. 3

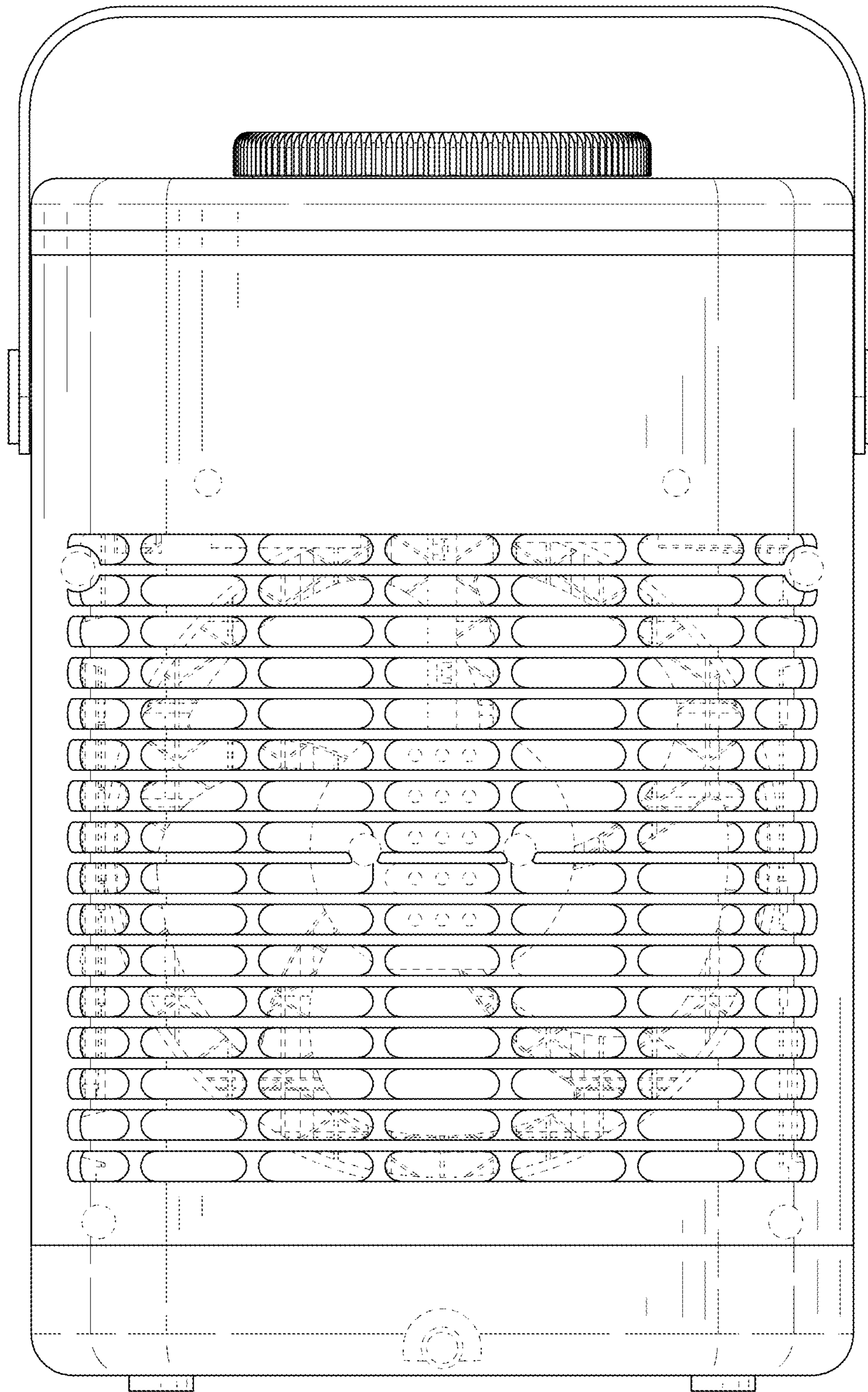


FIG. 4

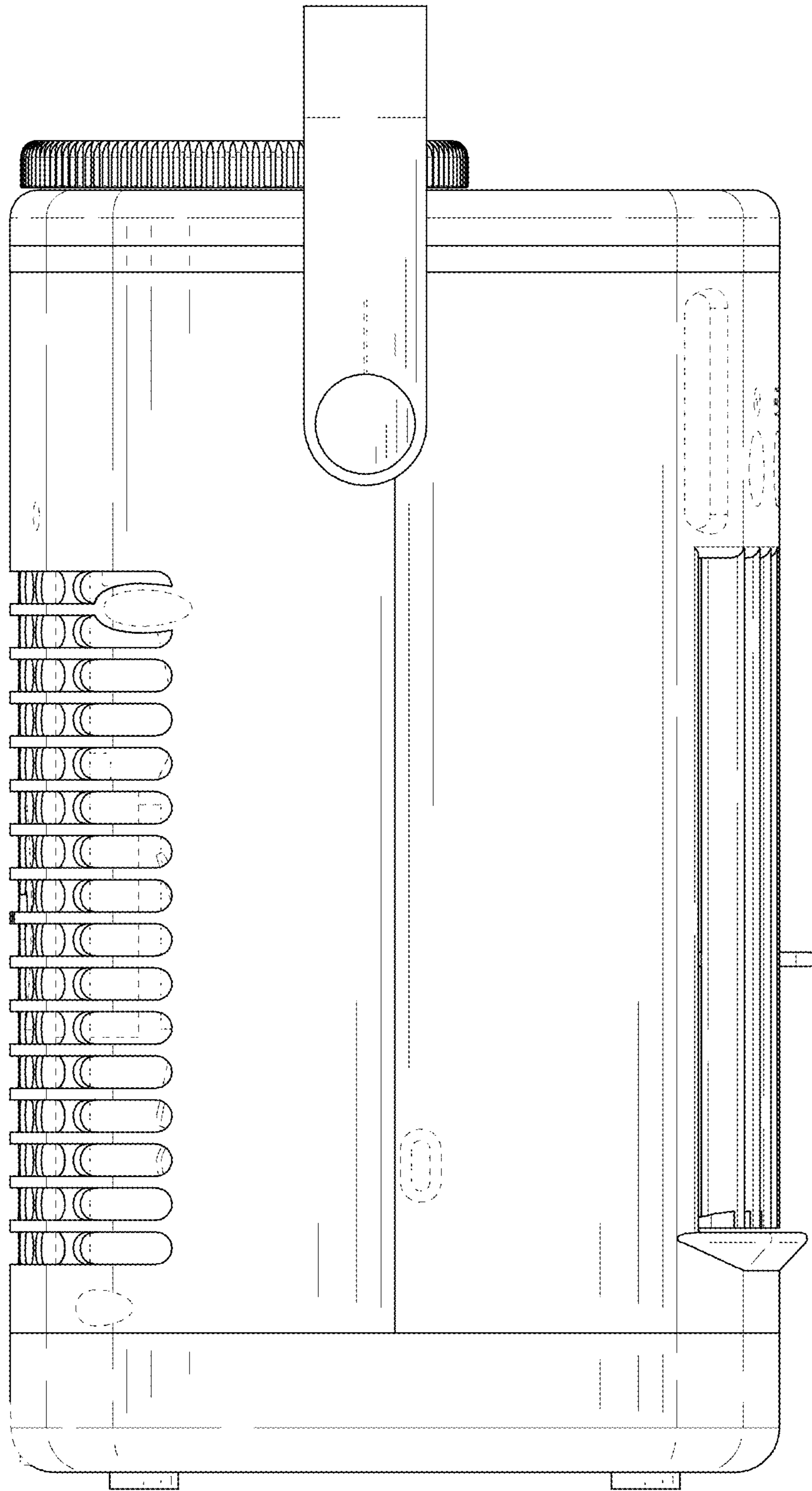


FIG. 5

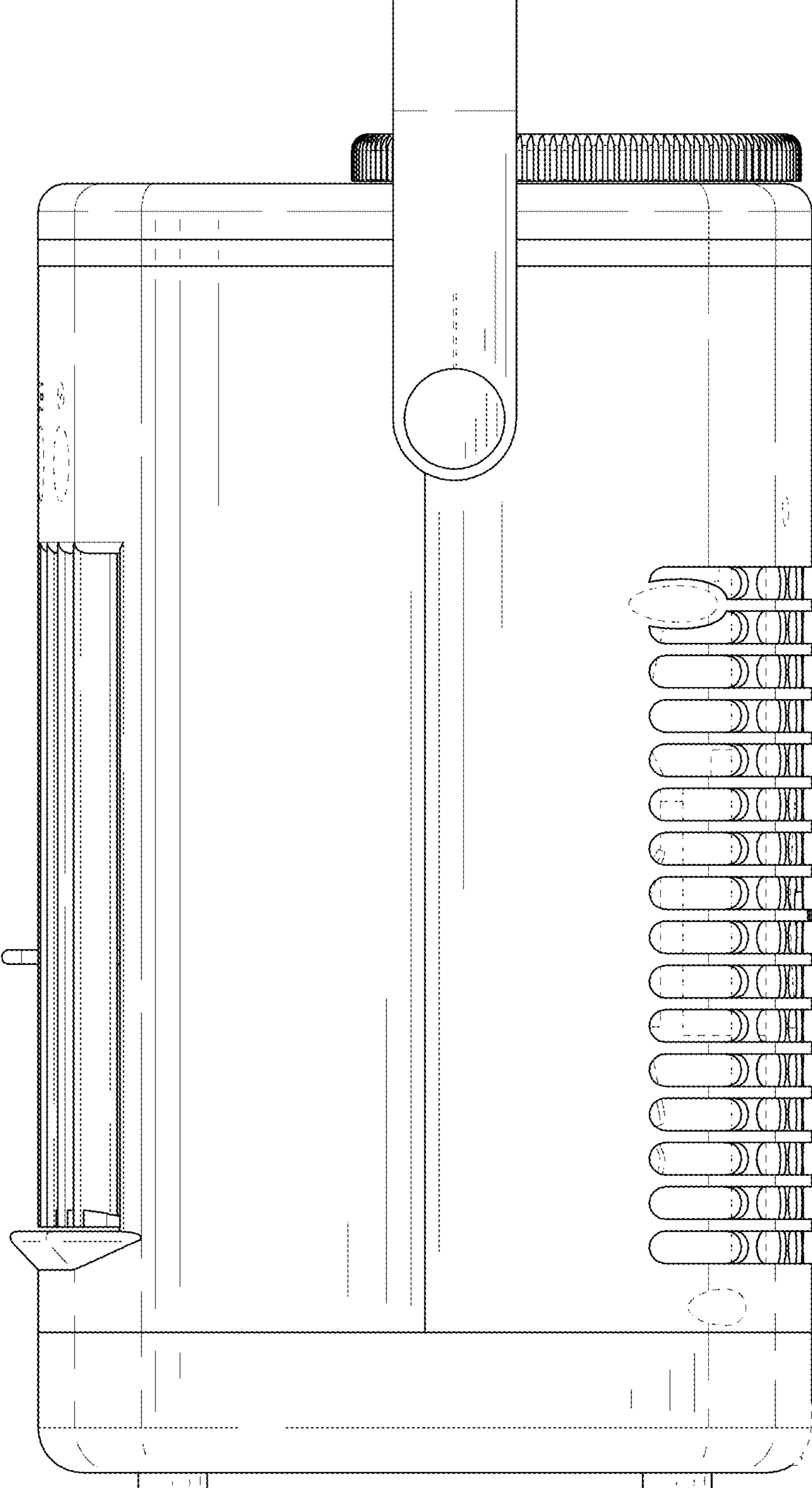


FIG. 6

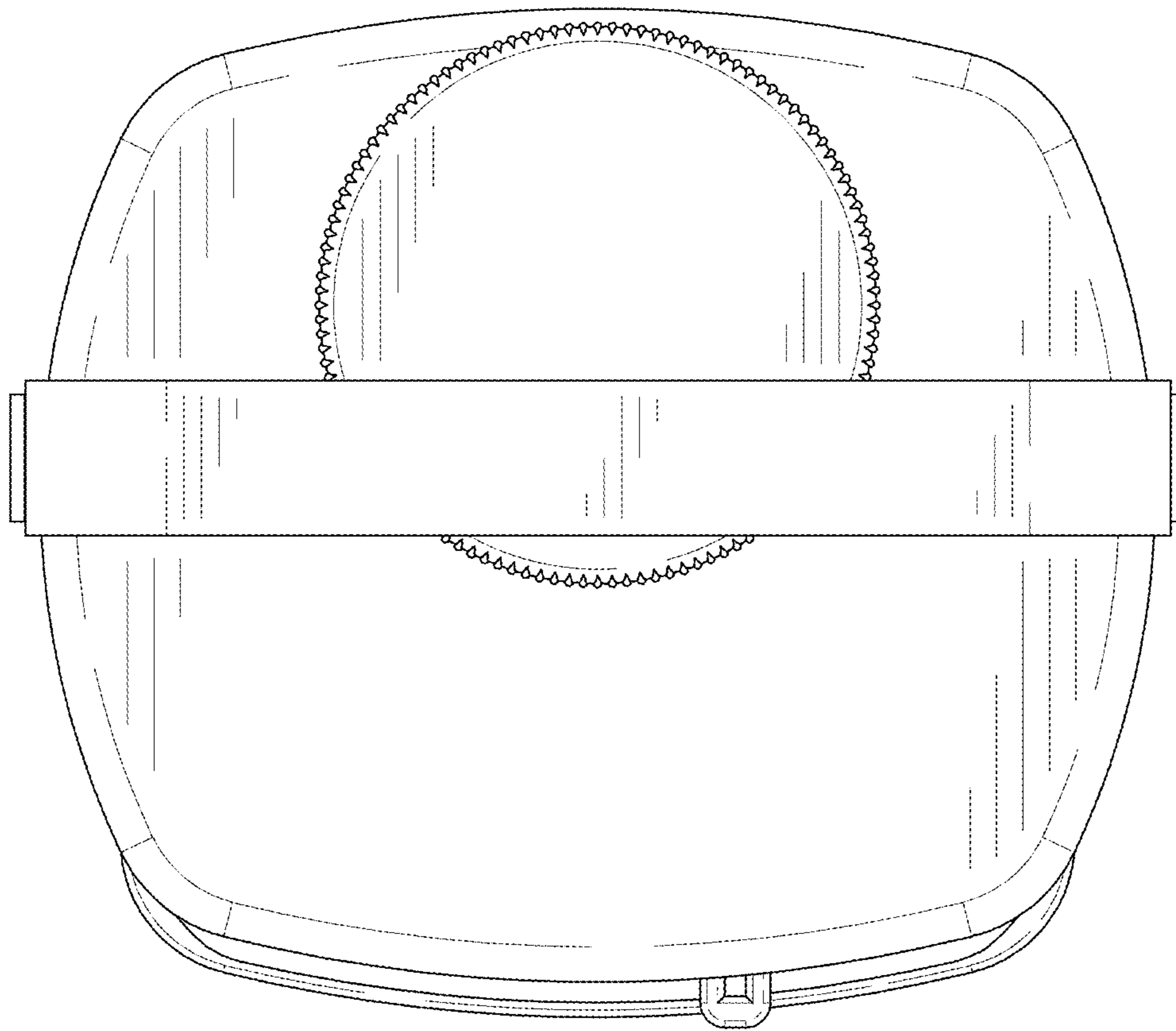


FIG. 7

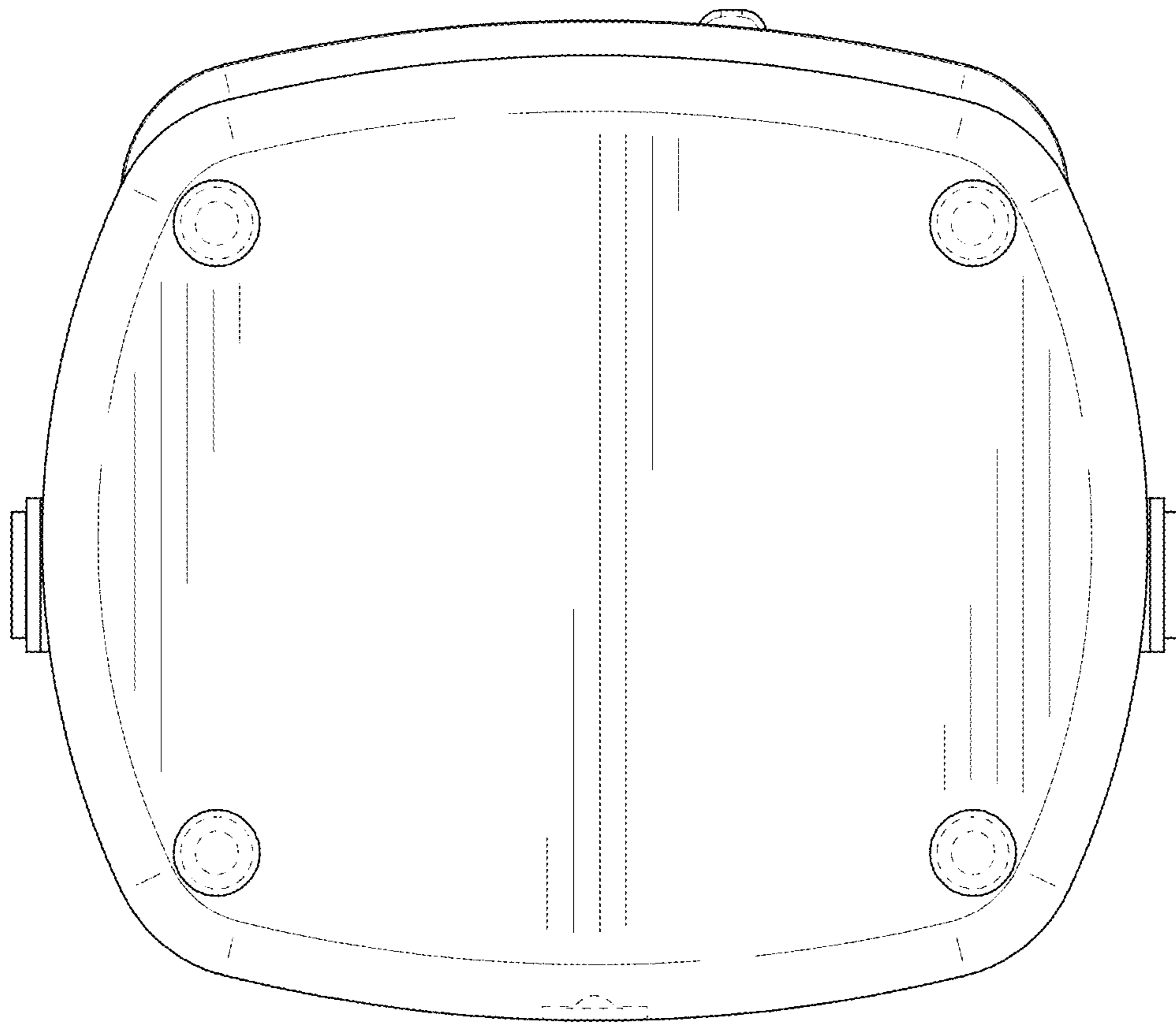


FIG. 8

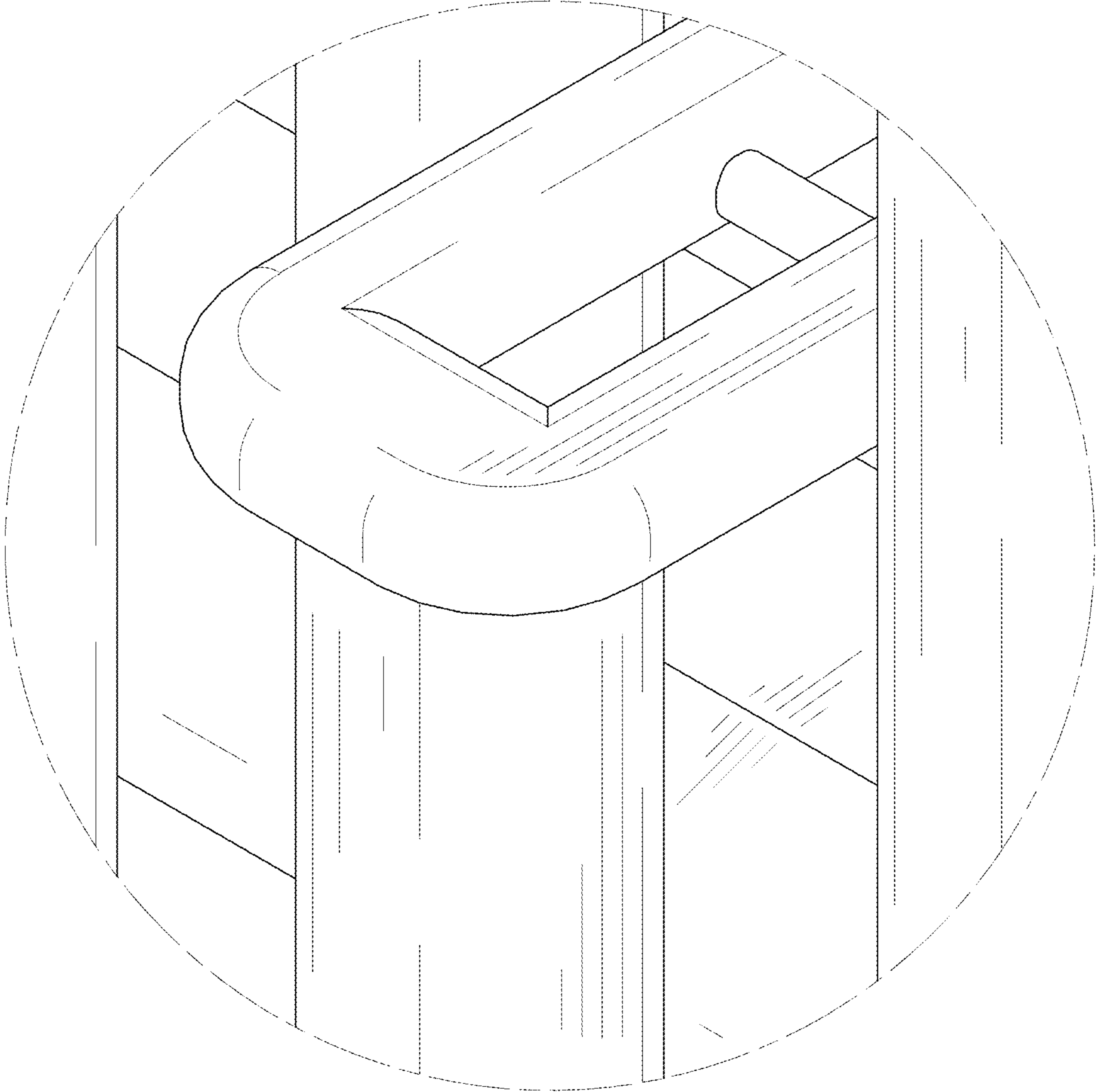


FIG. 9

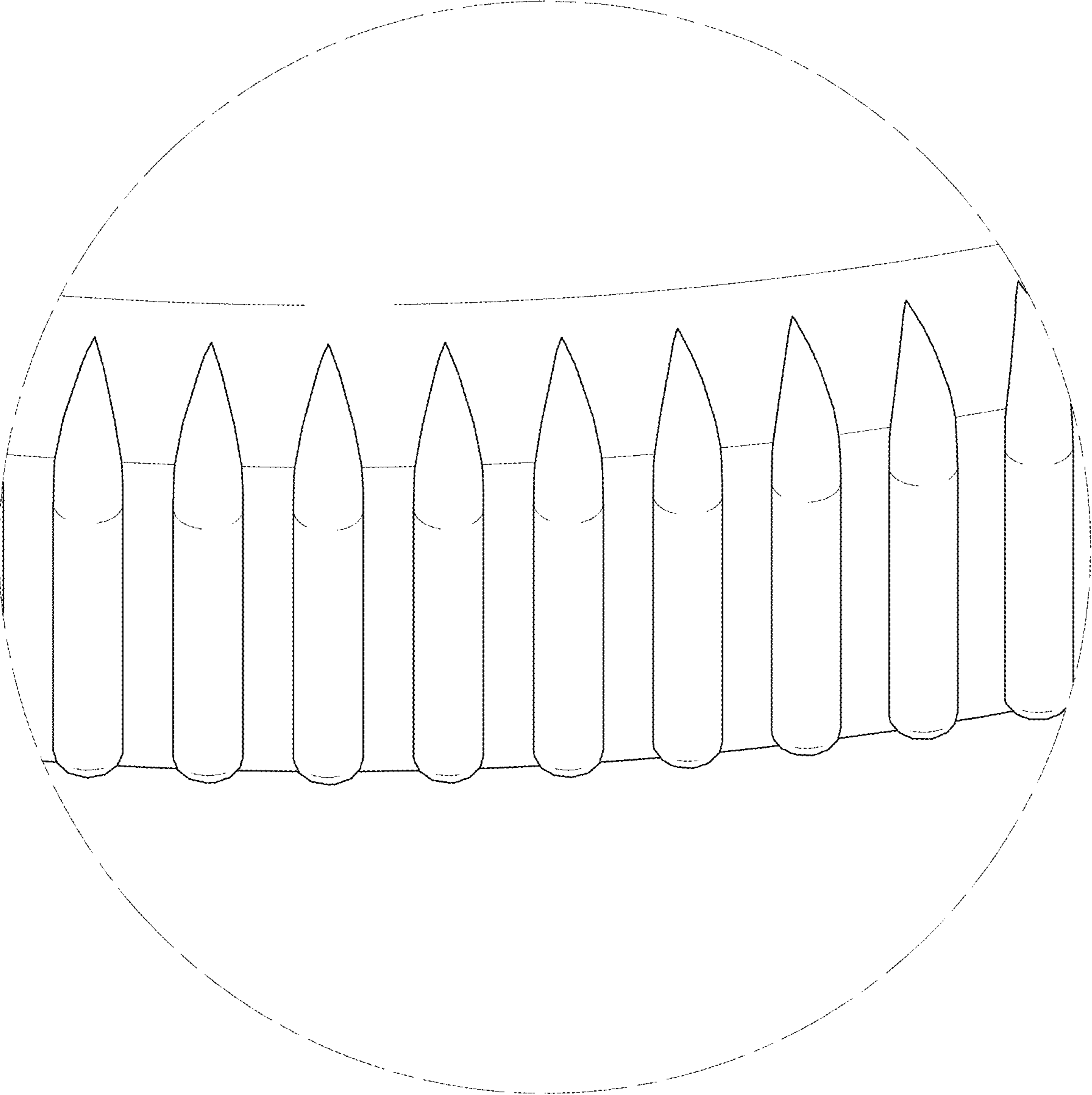


FIG. 10