



US00D965122S

(12) **United States Design Patent** (10) **Patent No.:** **US D965,122 S**
Pease et al. (45) **Date of Patent:** **** *Sep. 27, 2022**

(54) **HEATER**

D871,565 S * 12/2019 Ma D23/382
D888,218 S * 6/2020 Wang D23/370
D895,780 S 9/2020 Israel et al.

(71) Applicant: **VORNADO AIR, LLC**, Andover, KS (US)

FOREIGN PATENT DOCUMENTS

(72) Inventors: **Gregory Pease**, Andover, KS (US); **Byron Loibl**, Wichita, KS (US); **Brian Cartwright**, Wichita, KS (US); **Cooper Phillips**, Wichita, KS (US); **Samuel Parduhn**, Wichita, KS (US)

CN 306672327 * 2/2021

OTHER PUBLICATIONS

(73) Assignee: **Vornado Air, LLC**, Andover, KS (US)

Vornado Velocity 3R Whole Room Space Heater, Date unavailable[online], [site visited Sep. 29, 2021]. Available from internet, URL:<<https://www.amazon.com/Vornado-Velocity-Humidifier-Notification-Capacity/dp/B08B39WJMD>> (Year: 2021).*

(*) Notice: This patent is subject to a terminal disclaimer.

* cited by examiner

(**) Term: **15 Years**

Primary Examiner — Barbara Fox
Assistant Examiner — Jamaal Rasheed

(21) Appl. No.: **29/748,011**

(74) *Attorney, Agent, or Firm* — Avyno Law P.C.

(22) Filed: **Aug. 26, 2020**

(57) **CLAIM**

(51) **LOC (13) Cl.** **23-03**

We claim the ornamental design for a heater, as shown and described.

(52) **U.S. Cl.**

USPC **D23/335**

(58) **Field of Classification Search**

DESCRIPTION

USPC D23/328, 332, 335-337, 355

CPC F27D 5/00

See application file for complete search history.

FIG. 1 is a front perspective view of a heater of the present invention.

FIG. 2 is a rear perspective view of a heater of the present invention.

FIG. 3 is a front elevation view of the heater of FIG. 1.

FIG. 4 is a rear elevation view of the heater of FIG. 1.

FIG. 5 is a side elevation view of the right side of the heater of FIG. 1.

FIG. 6 is a side elevation view of the left side of the heater of FIG. 1.

FIG. 7 is a top plan view of the heater of FIG. 1; and,

FIG. 8 is a bottom plan view of the heater of FIG. 1.

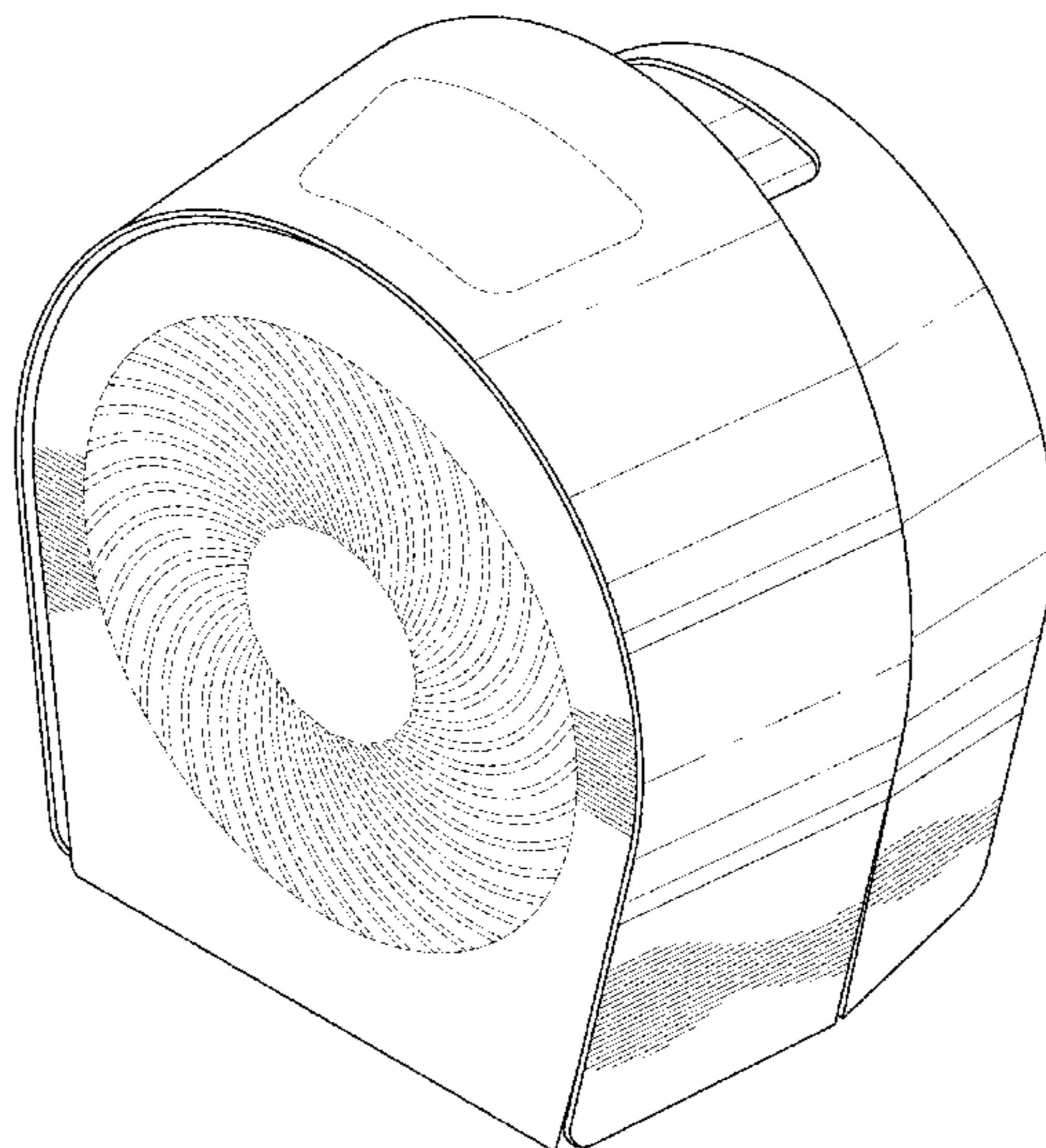
In the drawings, the broken lines depict portions of the heater that form no part of the claimed design.

(56) **References Cited**

U.S. PATENT DOCUMENTS

D326,318 S	5/1992	Coup et al.	
D384,733 S	10/1997	Jane et al.	
D384,734 S	10/1997	Ellwood	
D420,437 S	2/2000	Rossman et al.	
D426,876 S *	6/2000	Rossman	D23/332
D441,065 S	4/2001	Ediger et al.	
D554,244 S *	10/2007	Blateri	D23/335
D597,641 S	8/2009	Israel et al.	
D654,578 S *	2/2012	Ediger	D23/342
D822,805 S *	7/2018	Ediger	D23/332
D858,728 S *	9/2019	Meng	D23/335

1 Claim, 8 Drawing Sheets



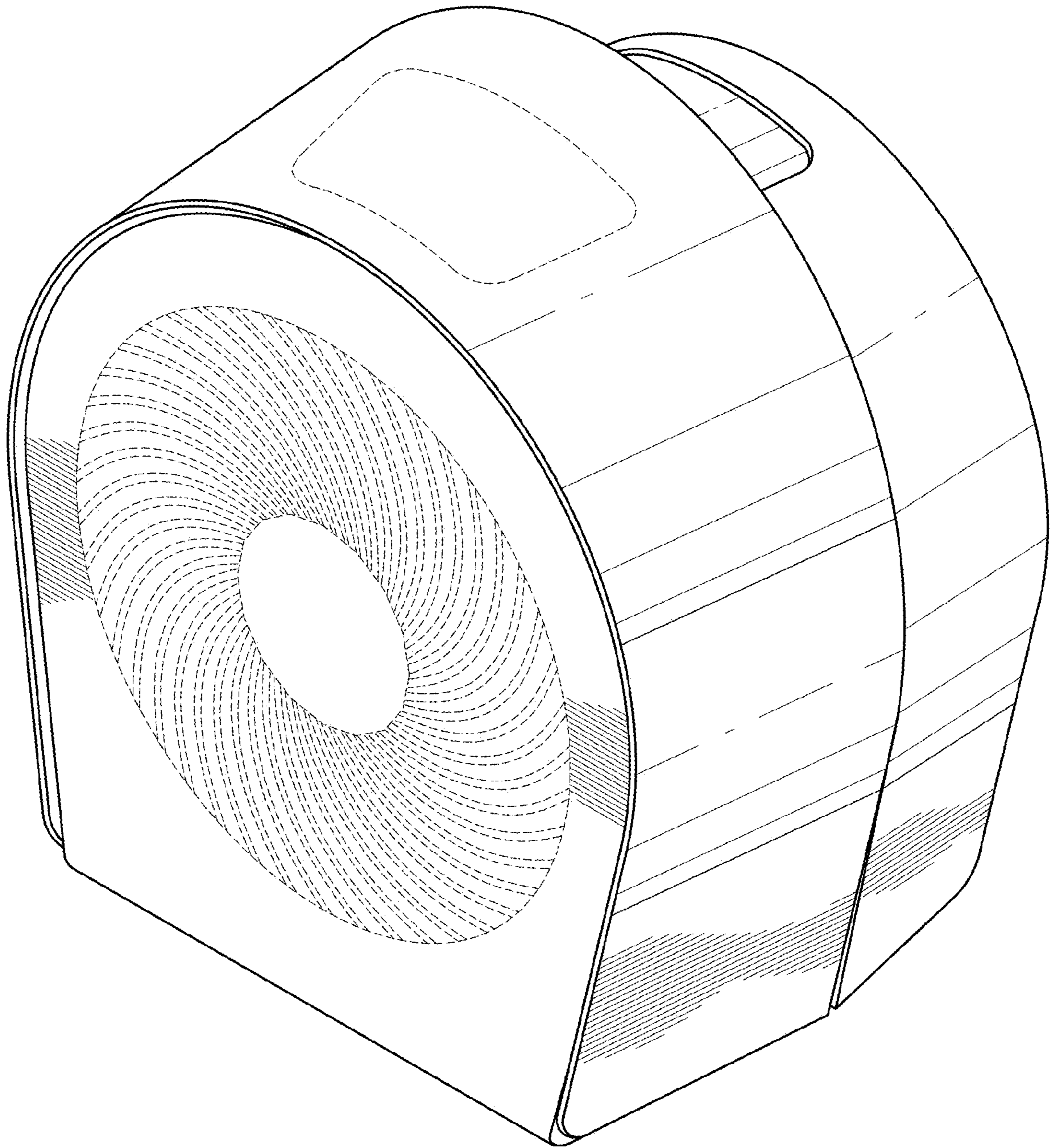


FIG. 1

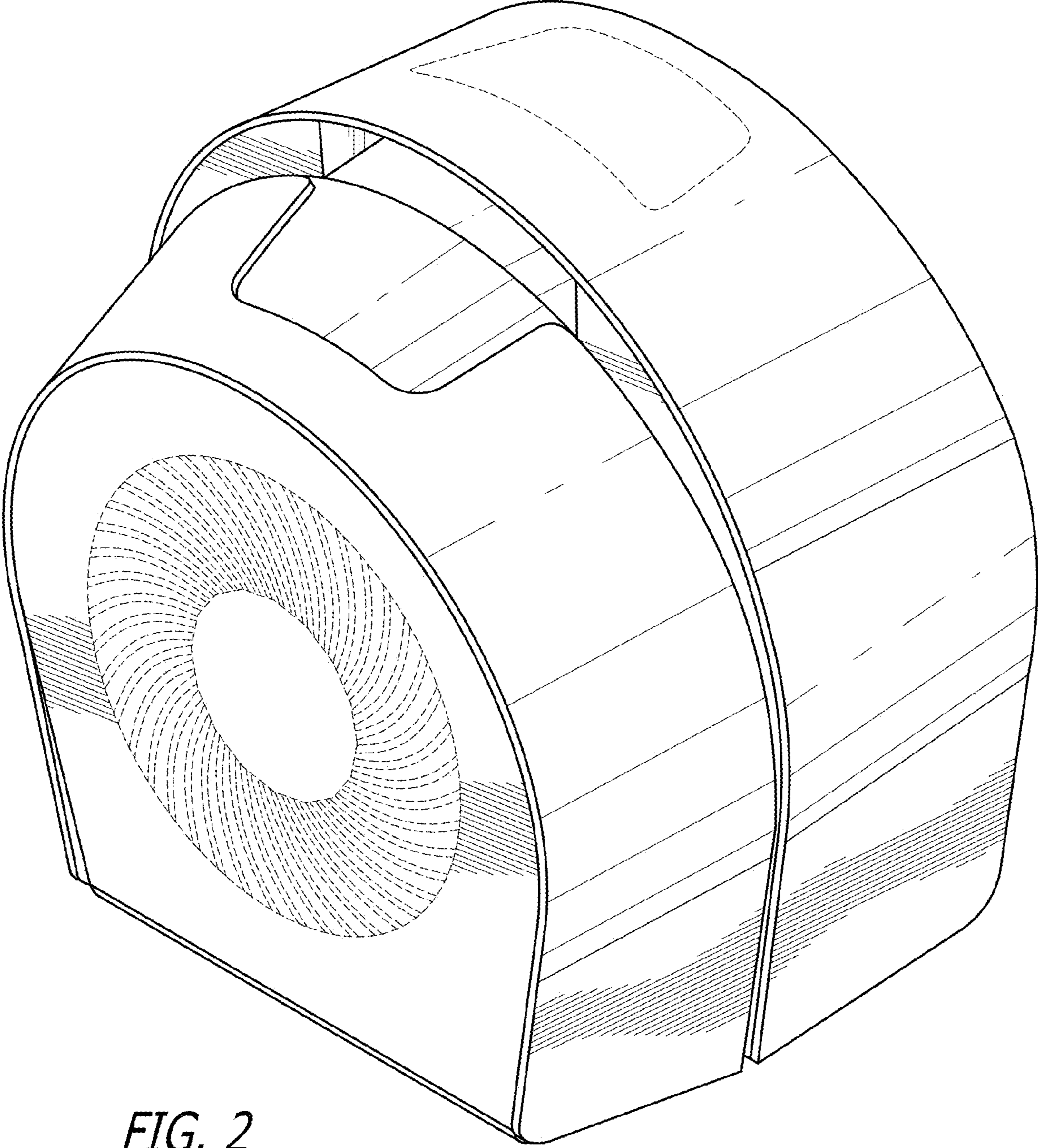


FIG. 2

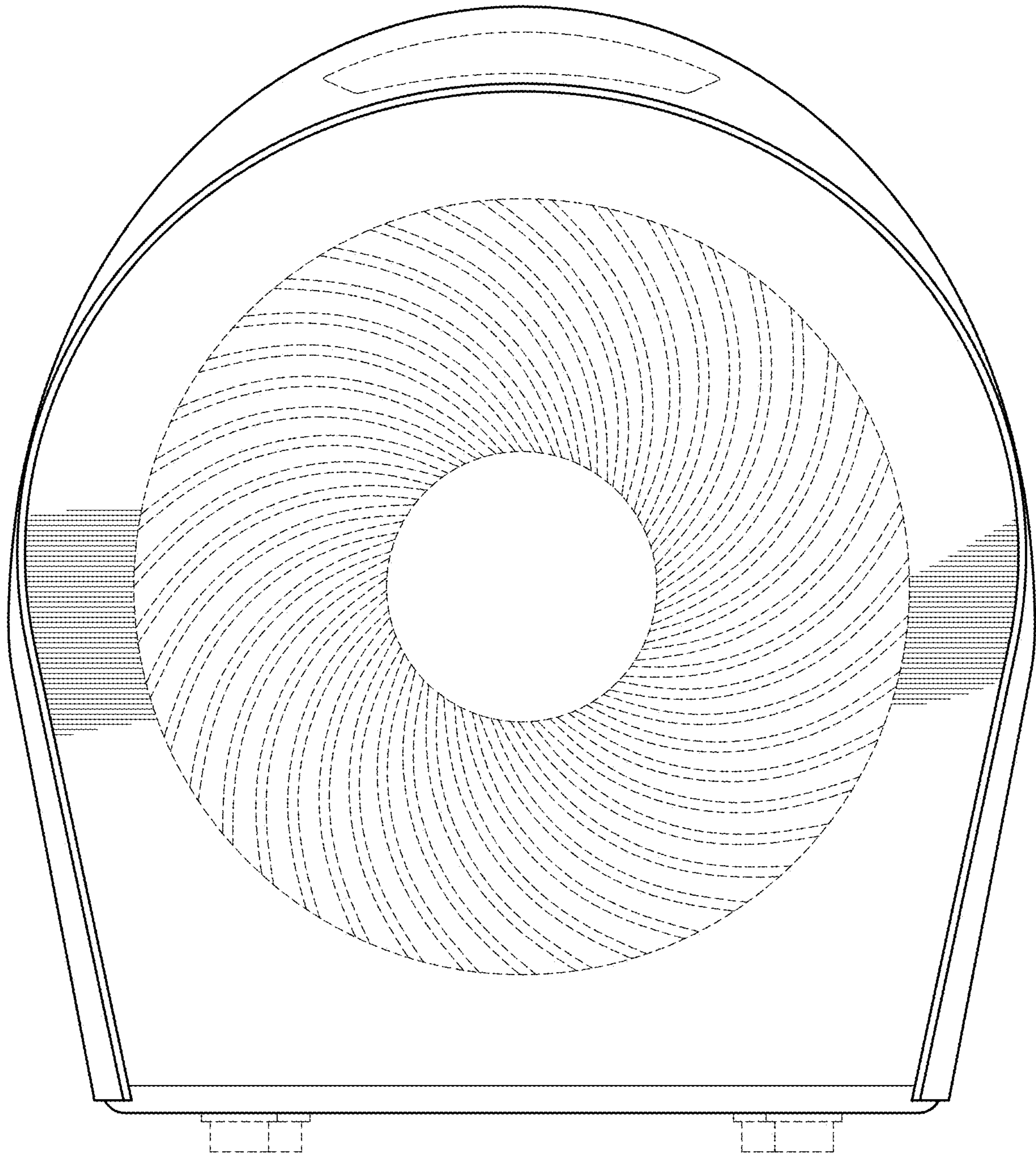


FIG. 3

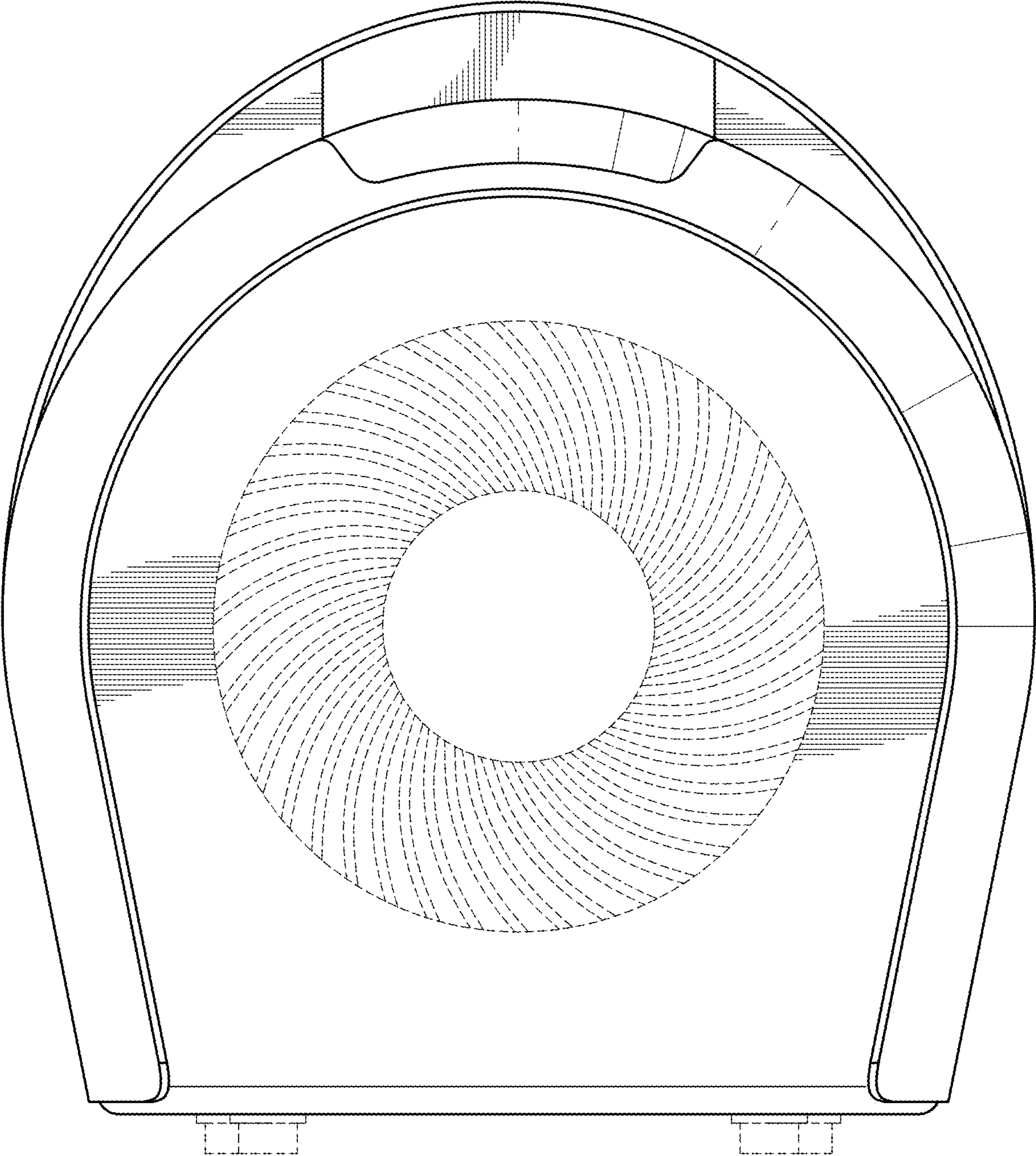


FIG. 4

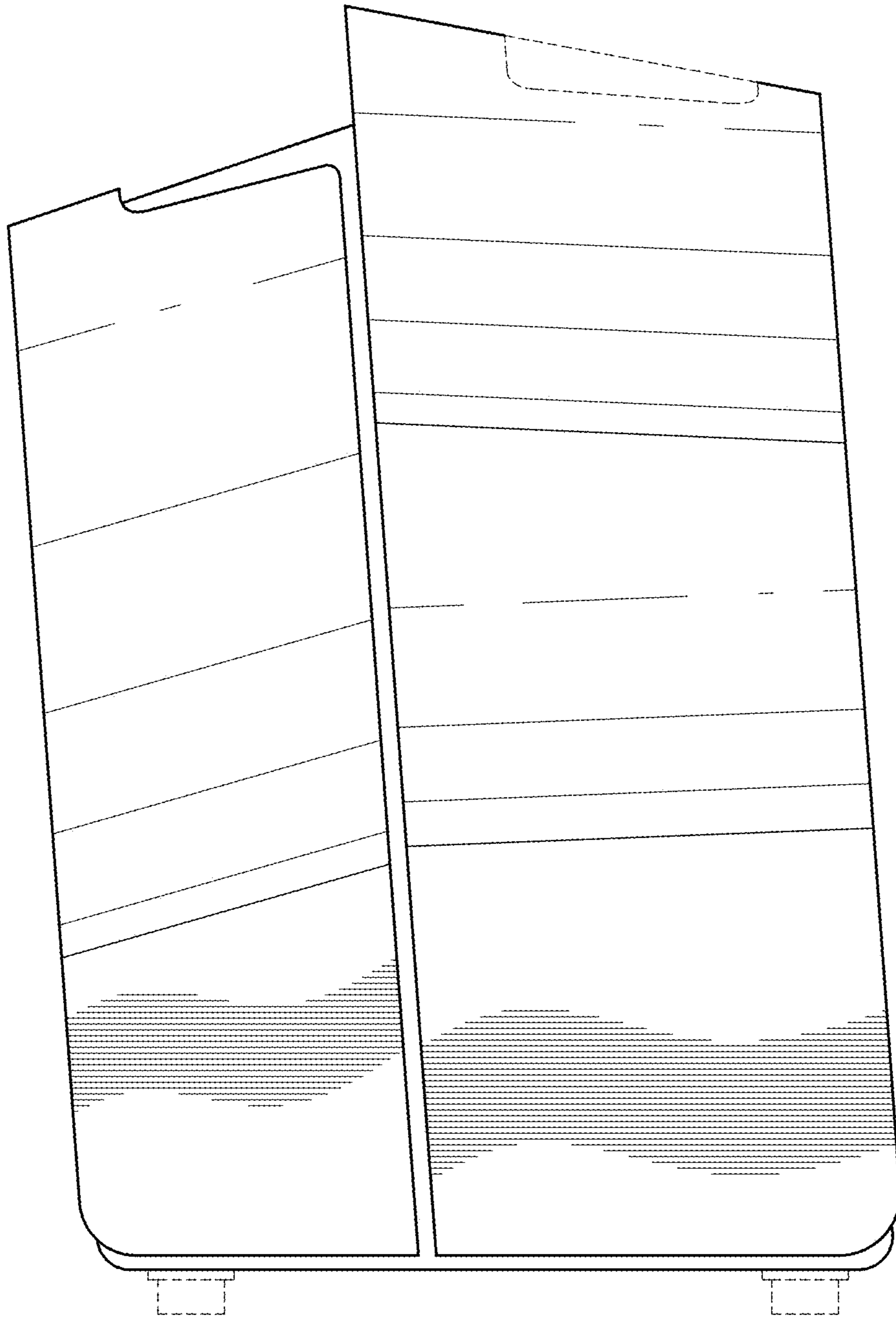


FIG. 5

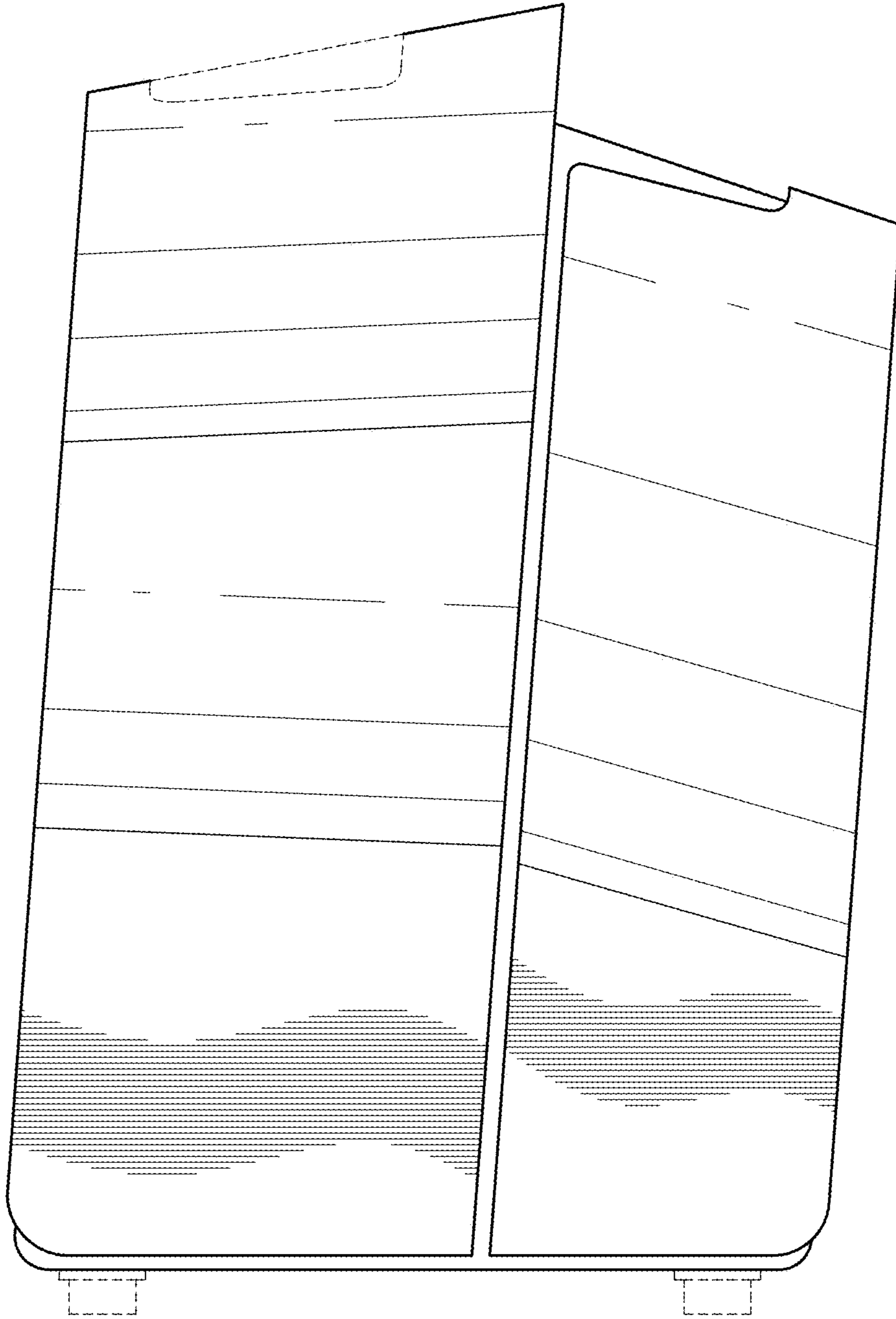


FIG. 6

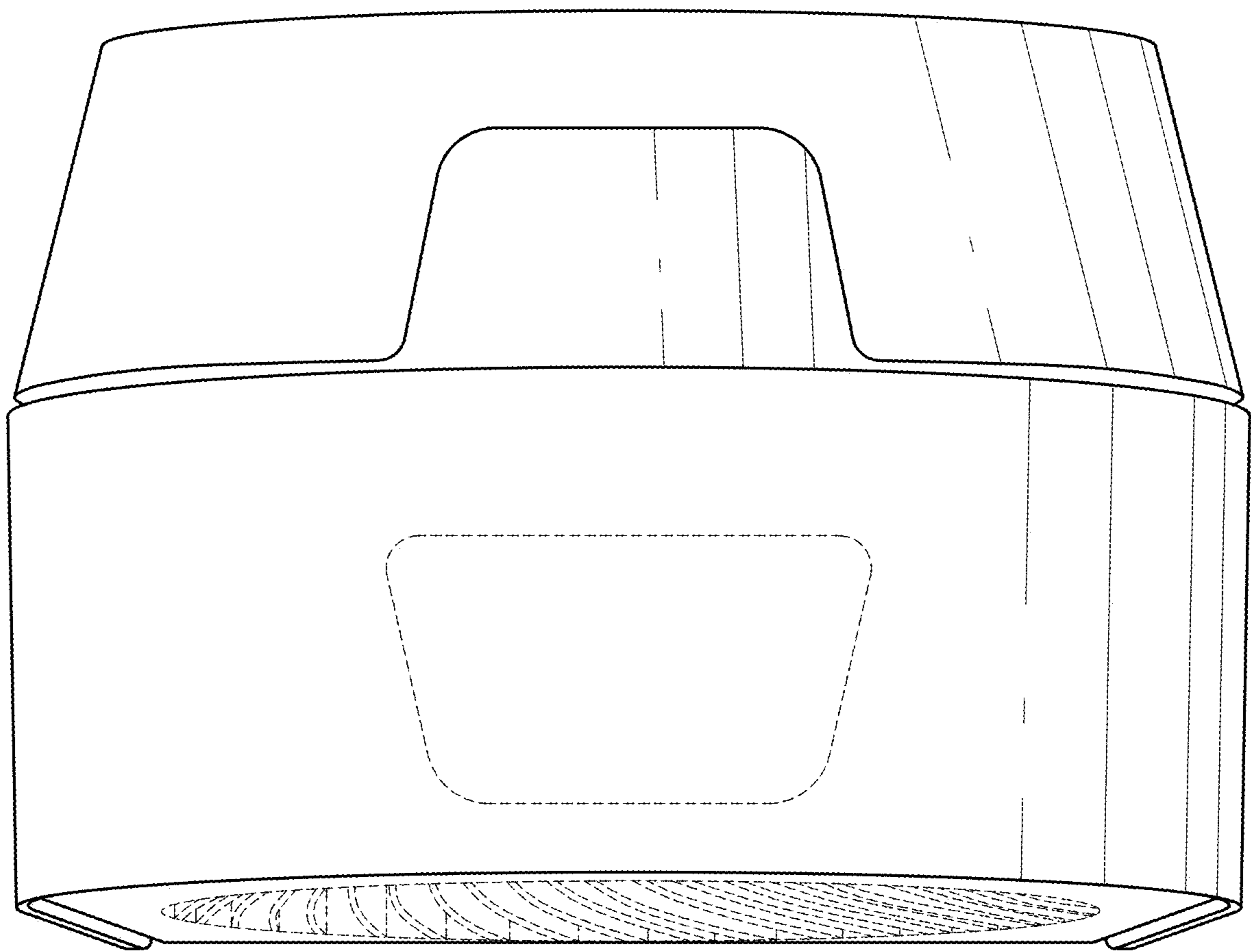


FIG. 7

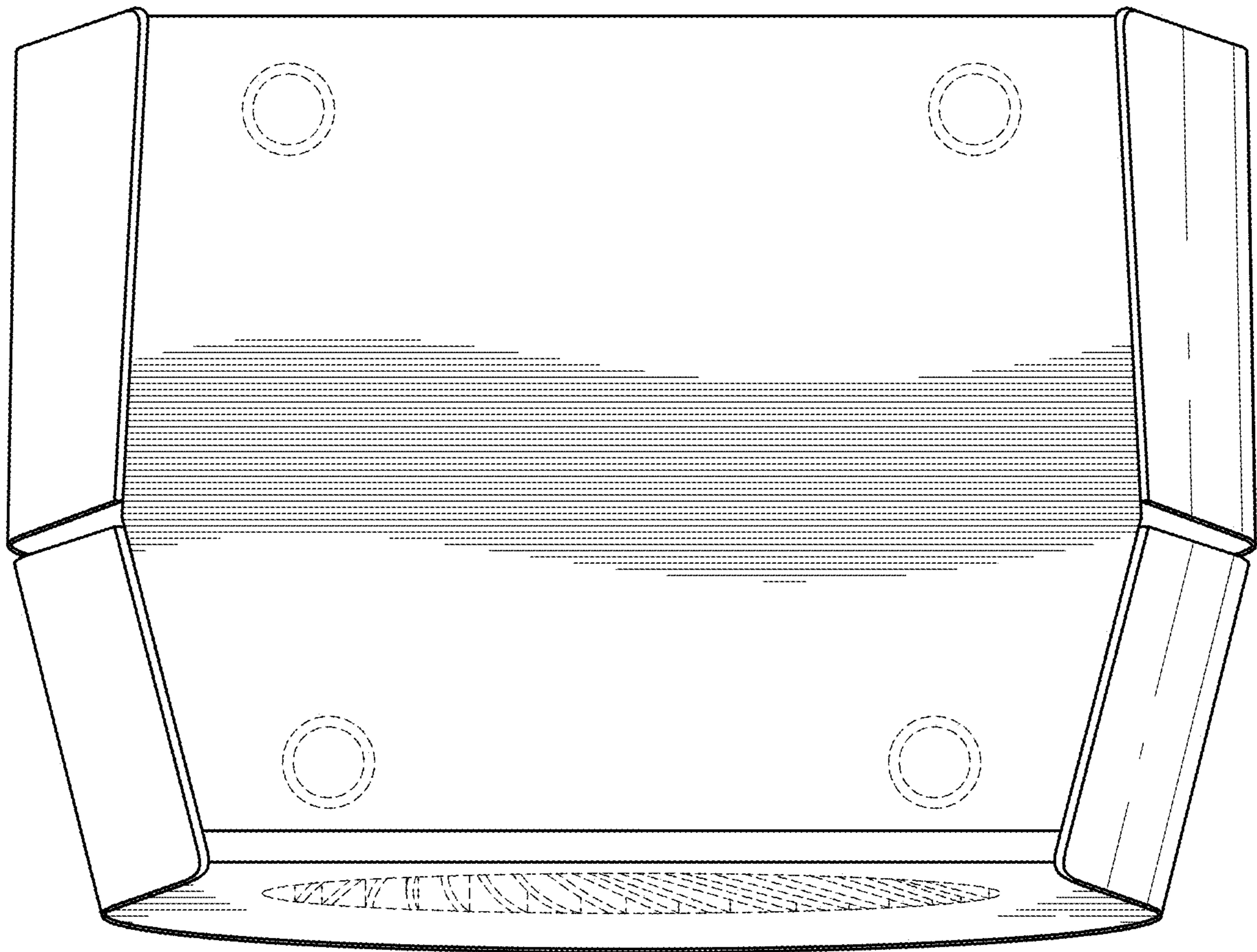


FIG. 8