



US00D965121S

(12) **United States Design Patent** (10) **Patent No.:** **US D965,121 S**
Stoltzfus et al. (45) **Date of Patent:** **** Sep. 27, 2022**

(54) **FIRE PIT WITH CONVERSION RING**
(71) Applicant: **Breeo, LLC**, Kinzers, PA (US)
(72) Inventors: **Amos A. Stoltzfus**, Gordonville, PA (US); **Jonathan C. Miller**, New Providence, PA (US); **Omar G. Stoltzfus**, New Holland, PA (US)

D466,597 S 12/2002 Carr
D486,356 S 2/2004 Hoff et al.
D542,091 S 5/2007 Hoff et al.
D545,124 S 6/2007 Hawkins et al.
D590,201 S 4/2009 Zagar
D602,148 S 10/2009 DeFouw et al.
D679,791 S 4/2013 Lowsky
D724,714 S 3/2015 Benson et al.
8,991,382 B1 3/2015 Mau
D734,436 S 7/2015 Raether

(Continued)

(73) Assignee: **Breeo, LLC**, Kinzers, PA (US)

(**) Term: **15 Years**

OTHER PUBLICATIONS

(21) Appl. No.: **29/781,791**

Breeo, How to Install Your Breeo Insert Ring, Youtube, Mar. 23, 2021, accessed Apr. 15, 2021, from <https://www.youtube.com/watch?v=dKXx6-siRR0&t=6s>.

(22) Filed: **Apr. 30, 2021**

(Continued)

(51) **LOC (13) Cl.** **23-03**

(52) **U.S. Cl.**
USPC **D23/332**; D23/336; D23/343

(58) **Field of Classification Search**
USPC D23/332, 314, 343, 348, 350, 346, 336;
D7/332-337, 402-405, 352; D11/152;
D6/692, 377, 692.3, 708.2
CPC F24C 1/16; F24C 5/00; F24C 3/14; F24C
15/08; A47J 33/00; A47J 37/0763; A47J
37/07; A47J 37/0704; F24B 1/18; F24B
1/182; F24B 1/1808; F24B 1/181; F24B
1/195; F24B 1/191

See application file for complete search history.

Primary Examiner — Ania Aman
(74) *Attorney, Agent, or Firm* — Fred Zollinger

(57) **CLAIM**

The ornamental design for a fire pit with conversion ring, as shown and described.

DESCRIPTION

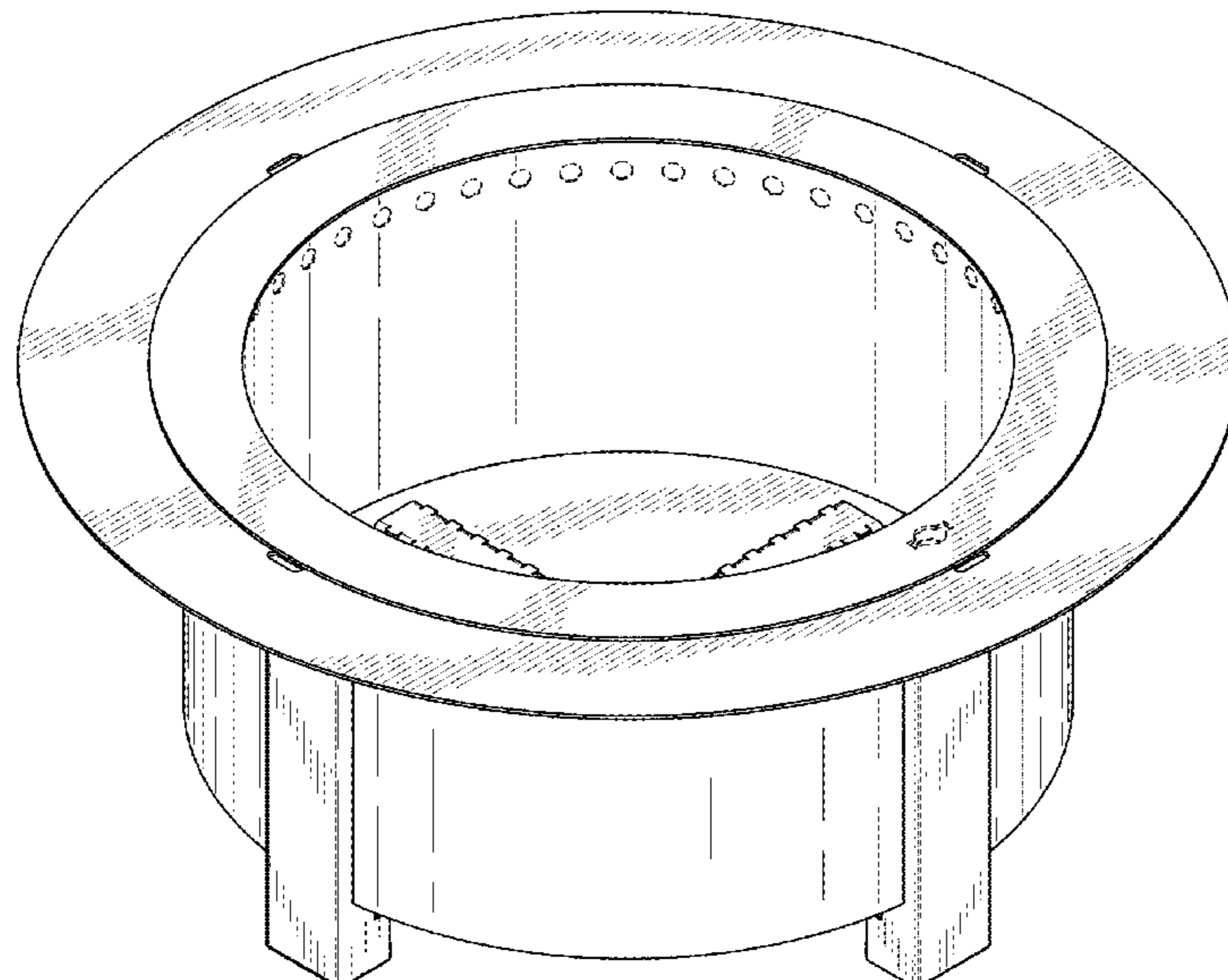
FIG. 1 is an upper perspective view of a fire pit with conversion ring showing our new design.
FIG. 2 is a lower perspective view thereof.
FIG. 3 is a front elevation view thereof; the rear and side elevation views being the same.
FIG. 4 is a top plan view thereof.
FIG. 5 is a bottom plan view thereof.
FIG. 6 is partial upper perspective view with a portion cut away; and,
FIG. 7 is an elevation view taken along line 7-7 of FIG. 4.
The dashed lines shown in the drawings are for purposes of illustrating portions of the article that form no part of the claimed design.

(56) **References Cited**

U.S. PATENT DOCUMENTS

D253,931 S 1/1980 DeVischer et al.
D262,427 S 12/1981 Boston et al.
D286,002 S 10/1986 Brix
D361,467 S 8/1995 Kabayama
D374,072 S 9/1996 Coble
D389,009 S 1/1998 Baykal
D432,356 S 10/2000 Hoff et al.
6,289,795 B1 9/2001 McLemore et al.
D449,490 S 10/2001 Frederick

1 Claim, 7 Drawing Sheets



(56)

References Cited

OTHER PUBLICATIONS

U.S. PATENT DOCUMENTS

D734,975 S * 7/2015 Troyer, Jr. D7/332
 D742,490 S 11/2015 Jepson
 D774,172 S 12/2016 Zemel et al.
 D777,307 S 1/2017 Rocha
 10,222,092 B1 3/2019 Traeger
 D858,729 S * 9/2019 Scott D23/348
 D868,230 S 11/2019 Nitschmann
 10,888,195 B1 * 1/2021 Norris A47J 33/00
 D914,172 S 3/2021 Stoltzfus
 D927,659 S 8/2021 Stoltzfus
 2006/0236996 A1 * 10/2006 Mosher, II F24B 3/00
 126/30
 2011/0073098 A1 3/2011 Chang
 2012/0087128 A1 4/2012 Zakula et al.
 2013/0306184 A1 11/2013 Prischak
 2016/0166109 A1 6/2016 Banal et al.
 2019/0159630 A1 * 5/2019 Salum A47J 37/0763
 2019/0277520 A1 9/2019 Zakula et al.
 2020/0096199 A1 3/2020 Harrington et al.
 2021/0018180 A1 1/2021 Jan et al.
 2021/0045578 A1 2/2021 Stoltzfus
 2021/0048188 A1 2/2021 Harrington et al.
 2021/0156565 A1 5/2021 Skillman
 2021/0404663 A1 * 12/2021 Strange F24B 1/189

Breeo, X19 Smokeless Fire Pit Insert Bundle, screenshot from <https://breeo.co/collections/x-series/products/x-series-19-insert-ring-fire-pit>, accessed Apr. 15, 2021.
 U.S. Pat. No. 821,933, May 29, 1906, Elliott.
 U.S. Pat. No. 980,919, Jan. 10, 1911, Buckley.
 Nov. 26, 2021 Office Action in U.S. Appl. No. 29/781,771, filed Apr. 30, 2021.
 Arteflame Replacement BBQ Grill Griddle Grate, Aug. 9, 2018, Amazon, site visited Nov. 15, 2021: <https://www.amazon.com/dp/B06XSB48CH/> (Year: 2018).
 OFYR Grill Review, Apr. 4, 2019, YouTube, site visited Nov. 15, 2021 : <https://www.youtube.com/watch?v=81gvBCOKI6M> (Year: 2019).
 Breeo, Zentro Fire Pit Insert, Smoke-reducing, Heavy-Duty, and American Made. Zentro Fire Pit. Printed from Amazon.com on Apr. 15, 2021.
 Breeo LLC Instagram publication X Series Insert Ring, Feb. 24, 2021, <https://www.instagram.com/p/CLr3sSFgDdb/>.
 Breeo LLC, publication Mar. 3, 2021 from www.Breeo.co titled X24 Smokeless Fire Pit Insert Bundle, printed Feb. 25, 2022.

* cited by examiner

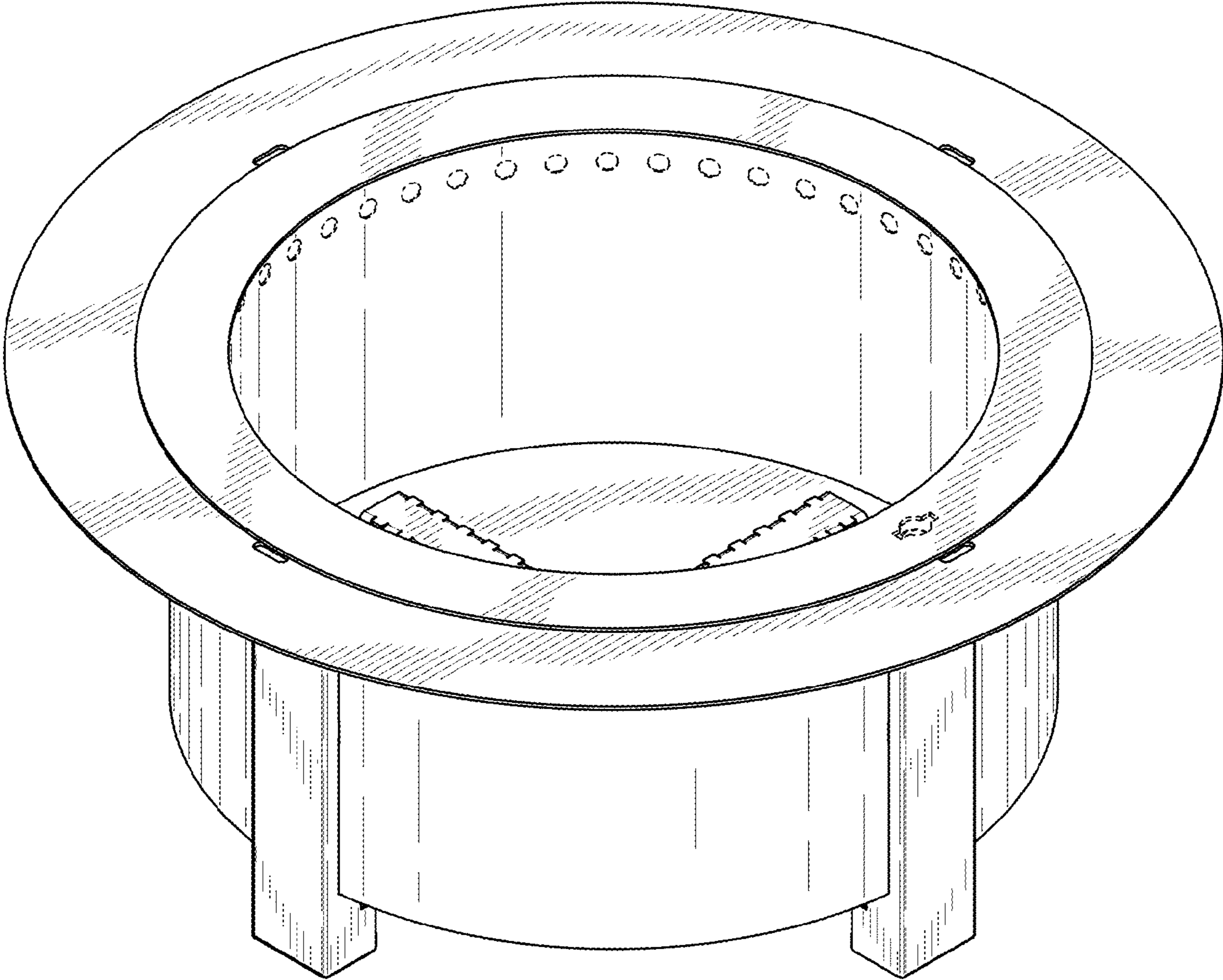


FIG. 1

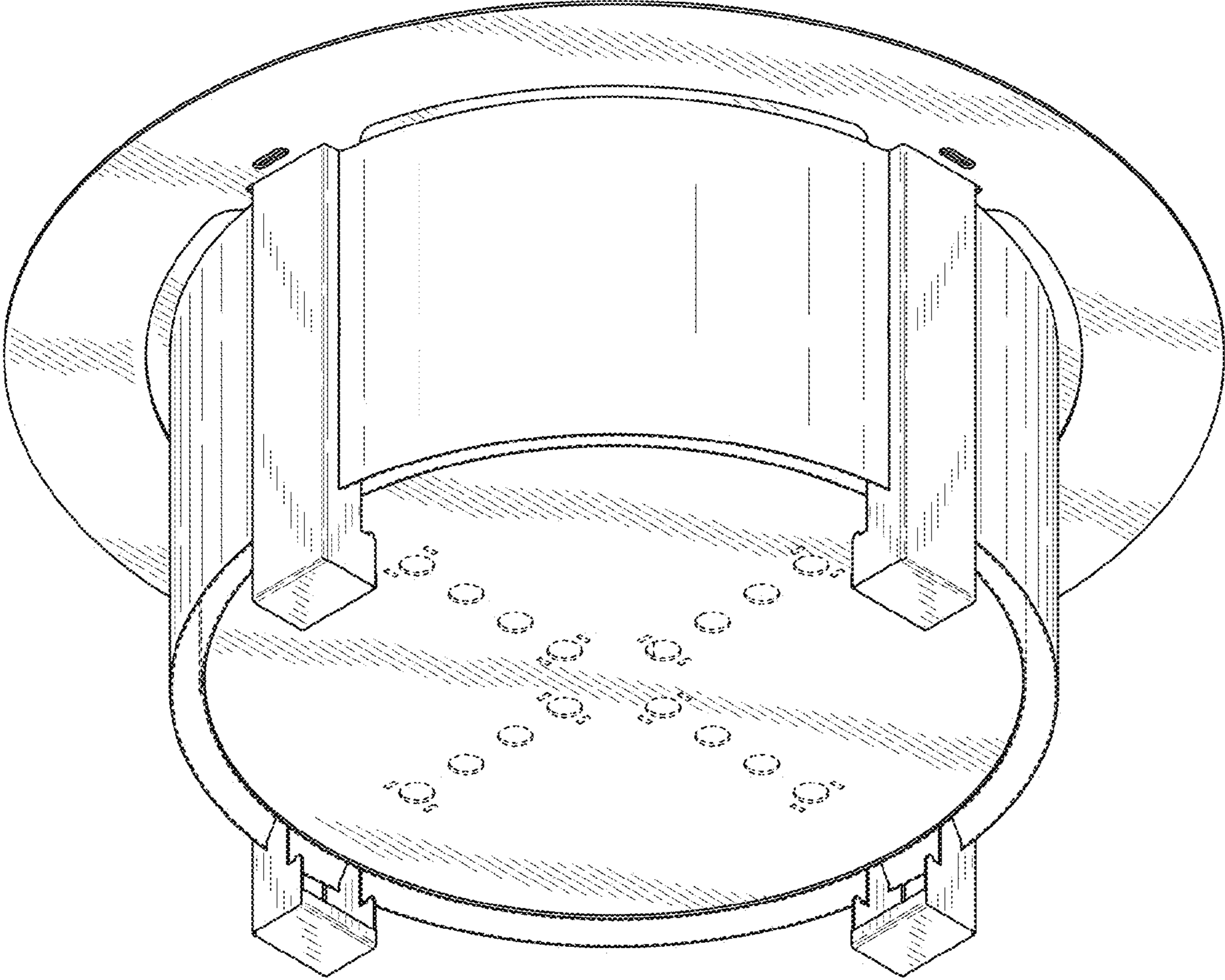


FIG. 2

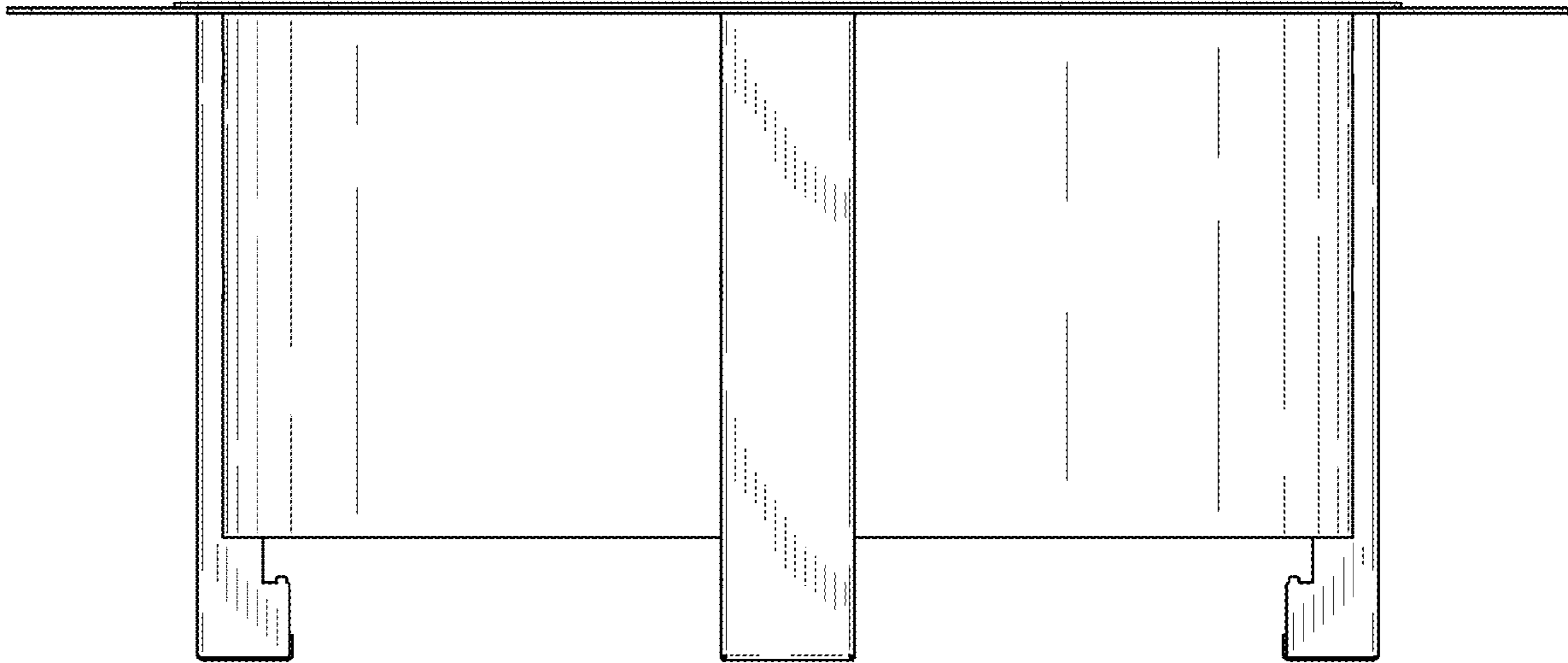


FIG. 3

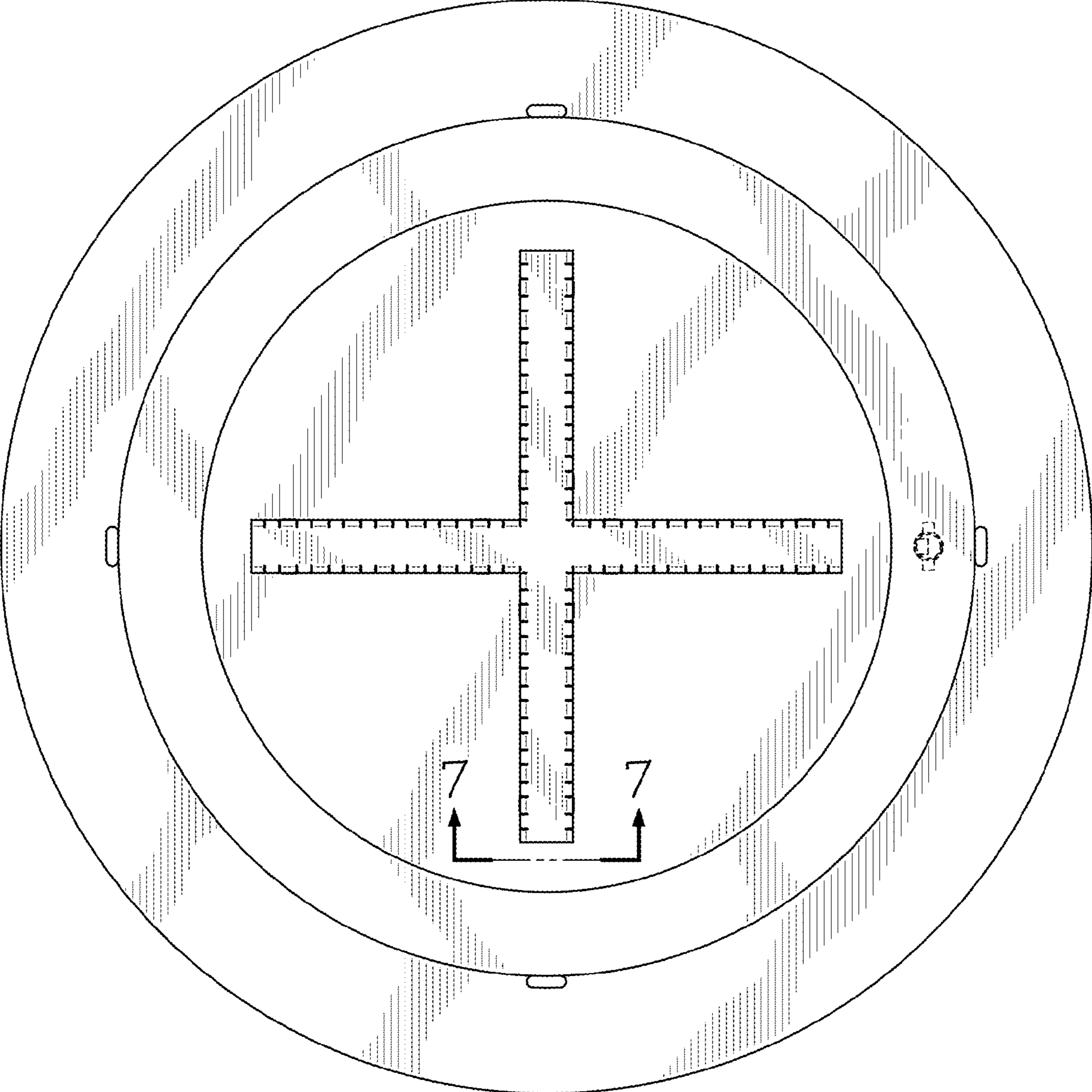


FIG. 4

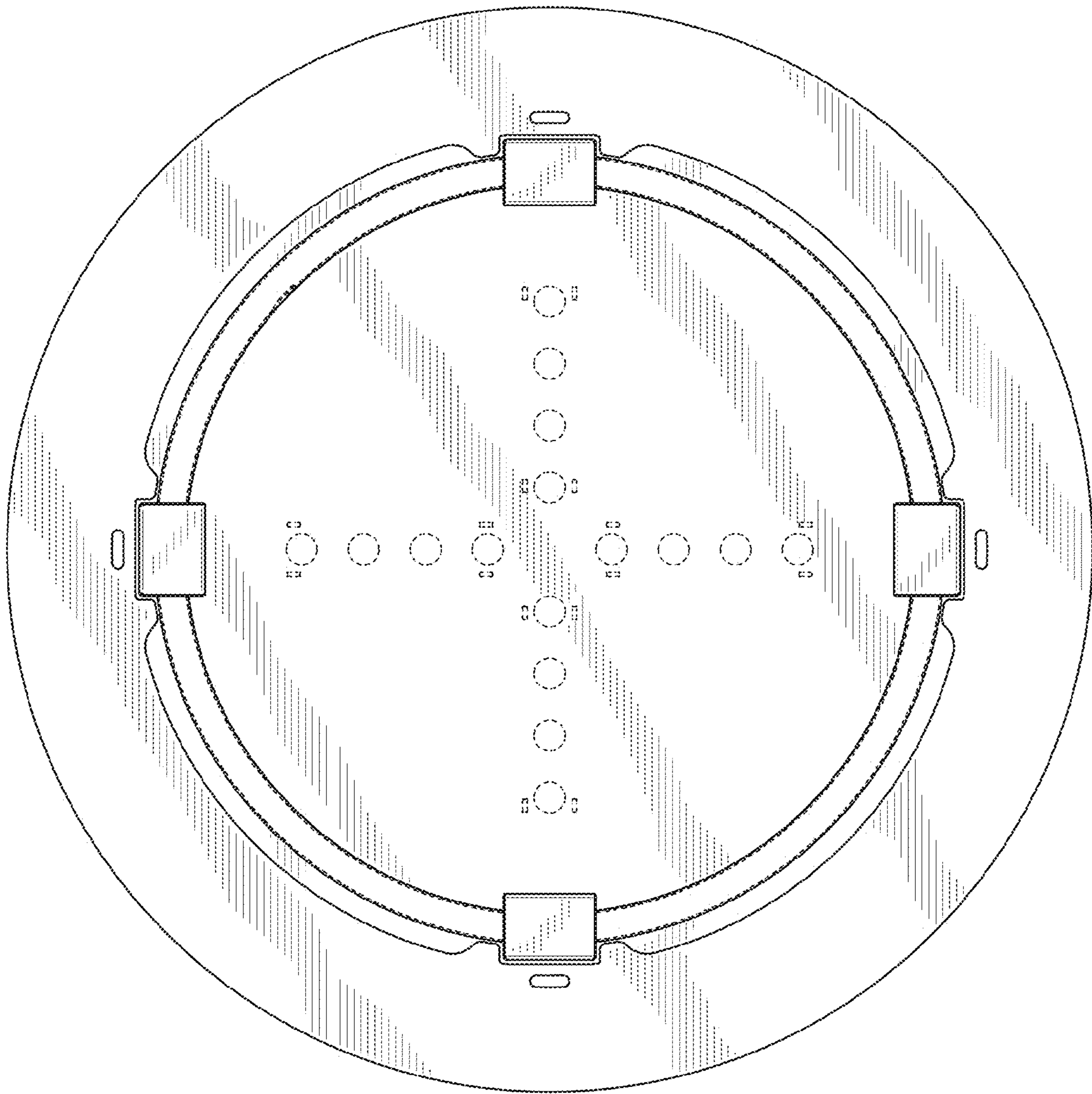


FIG. 5

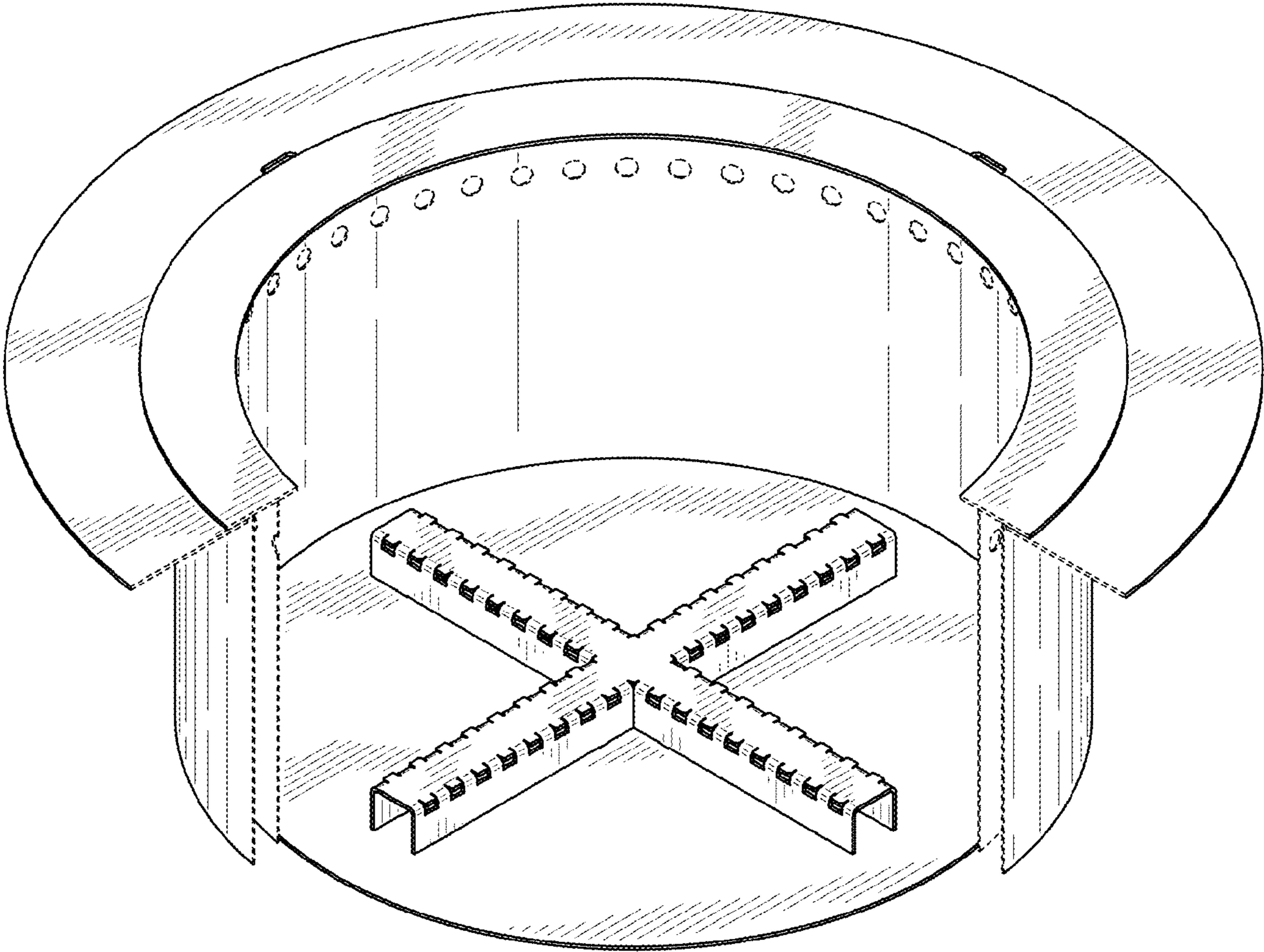


FIG. 6

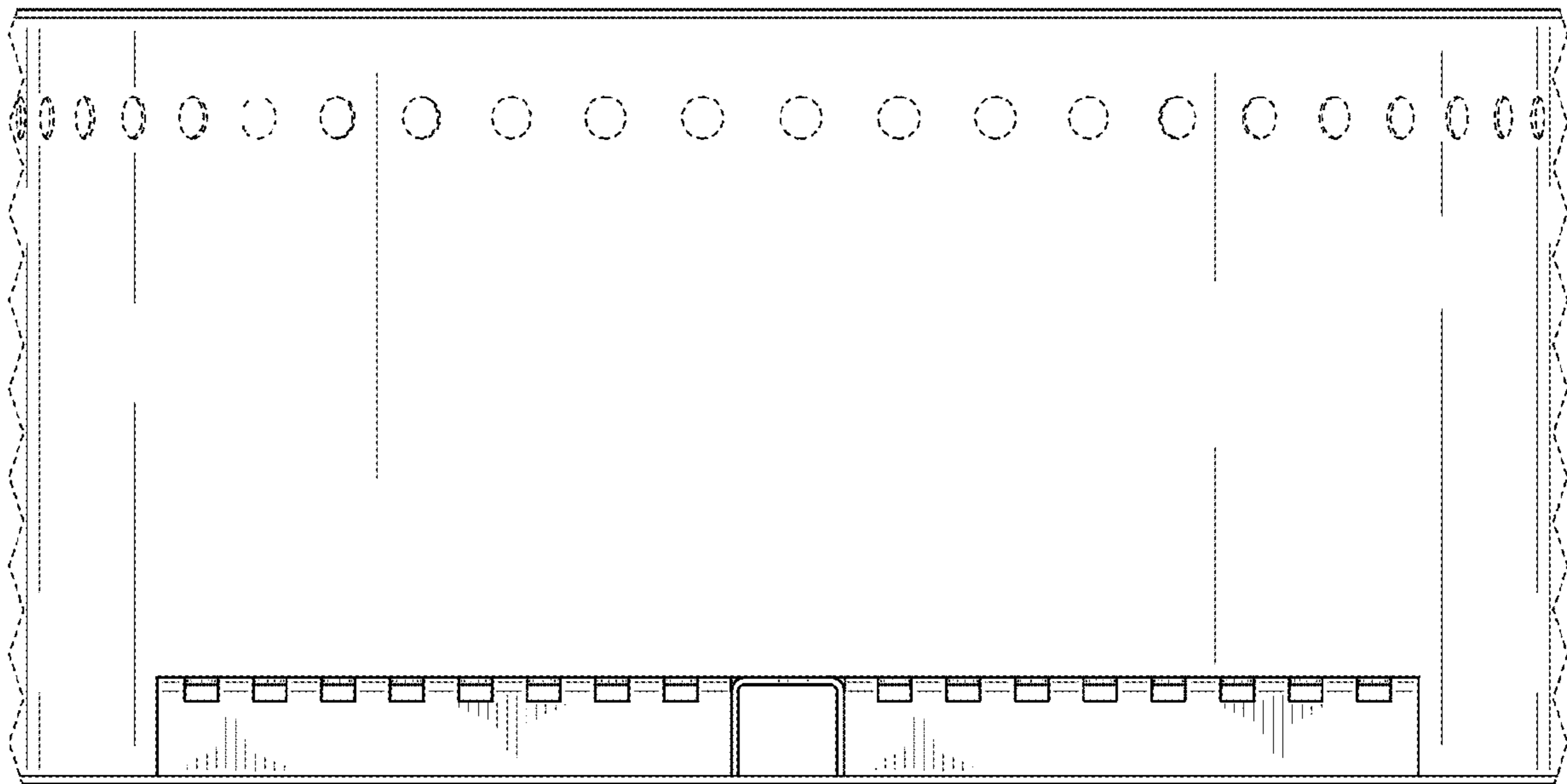


FIG. 7