



US00D965120S

(12) **United States Design Patent** (10) **Patent No.:** **US D965,120 S**  
**Rejkowski et al.** (45) **Date of Patent:** **\*\* Sep. 27, 2022**

(54) **ACCESSORY FOR VEHICLE HEATING AND AIR CONDITIONING SYSTEMS**

(71) Applicants: **Michael W Rejkowski**, Carrollton, TX (US); **Stephen J Sexton**, McKinney, TX (US)

(72) Inventors: **Michael W Rejkowski**, Carrollton, TX (US); **Stephen J Sexton**, McKinney, TX (US)

(73) Assignee: **CLASSIC AUTO AIR MANUFACTURING LP**, Beachwood, OH (US)

(\*\*) Term: **15 Years**

(21) Appl. No.: **29/815,700**

(22) Filed: **Nov. 16, 2021**

**Related U.S. Application Data**

(62) Division of application No. 29/630,290, filed on Dec. 20, 2017, now Pat. No. Des. 936,559.

(51) **LOC (13) Cl.** ..... **12-16**

(52) **U.S. Cl.**  
USPC ..... **D23/324**

(58) **Field of Classification Search**  
USPC ..... D23/324, 325, 327, 393, 386; D12/415, D12/190, 192, 195; D15/5  
CPC ..... B60H 1/00542; B60H 1/0055; B60H 1/00357; B60H 1/00271; B60H 1/34; B60H 1/3407; B60H 1/3442; B60H 1/3428

See application file for complete search history.

(56) **References Cited**

**U.S. PATENT DOCUMENTS**

5,967,891 A \* 10/1999 Riley ..... B60H 1/3442 454/154  
D867,562 S \* 11/2019 Rejkowski ..... D23/324

2004/0063397 A1\* 4/2004 Dippel ..... F24F 13/065 454/154  
2007/0066206 A1\* 3/2007 Ono ..... B60H 1/3428 454/69  
2011/0195650 A1\* 8/2011 Uhlenbusch ..... B60H 1/3442 454/152  
2014/0230942 A1\* 8/2014 Takai ..... B60H 1/345 138/45  
2016/0031293 A1\* 2/2016 Brinas ..... B60H 1/34 454/152

(Continued)

*Primary Examiner* — Ania Aman

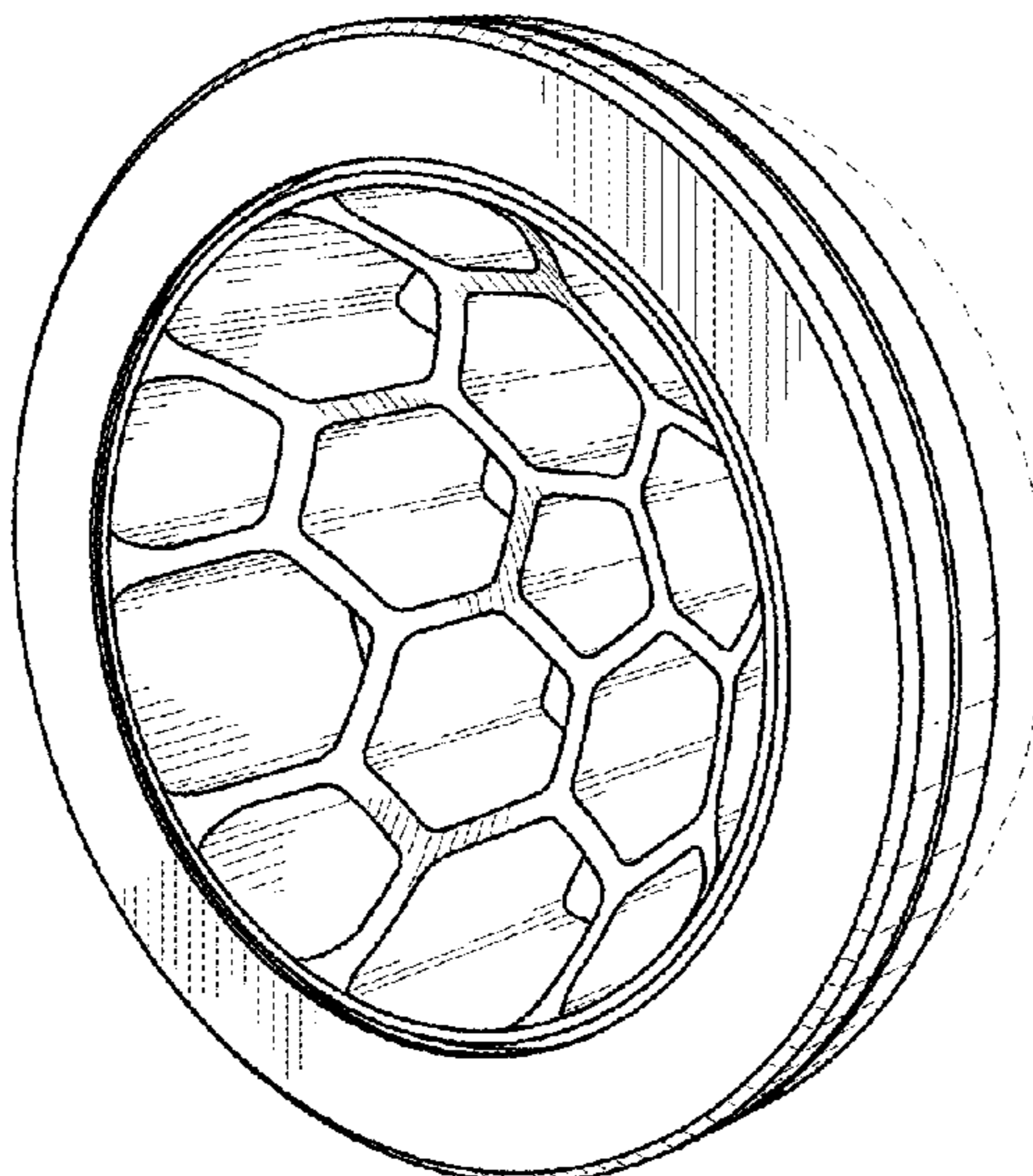
(57) **CLAIM**

The ornamental design for an accessory for vehicle heating and air conditioning systems, as shown and described.

**DESCRIPTION**

FIG. 1 is a perspective front view of the accessory for vehicle heating and air conditioning systems showing our new design;  
FIG. 2 is a top view of the accessory for vehicle heating and air conditioning systems of FIG. 1;  
FIG. 3 is a front elevation view of the accessory for vehicle heating and air conditioning systems of FIG. 1;  
FIG. 4 is a right side elevation view of the accessory for vehicle heating and air conditioning systems of FIG. 1;  
FIG. 5 is a left side elevation view of the accessory for vehicle heating and air conditioning systems of FIG. 1;  
FIG. 6 is a bottom view of the accessory for vehicle heating and air conditioning systems of FIG. 1; and  
FIG. 7 is a perspective rear view of the accessory for vehicle heating and air conditioning systems of FIG. 1; and,  
FIG. 8 is a rear elevation view of the accessory for vehicle heating and air conditioning systems of FIG. 1.  
In the drawings, the broken lines depict unclaimed subject matter only and form no part of the claimed design.

**1 Claim, 2 Drawing Sheets**



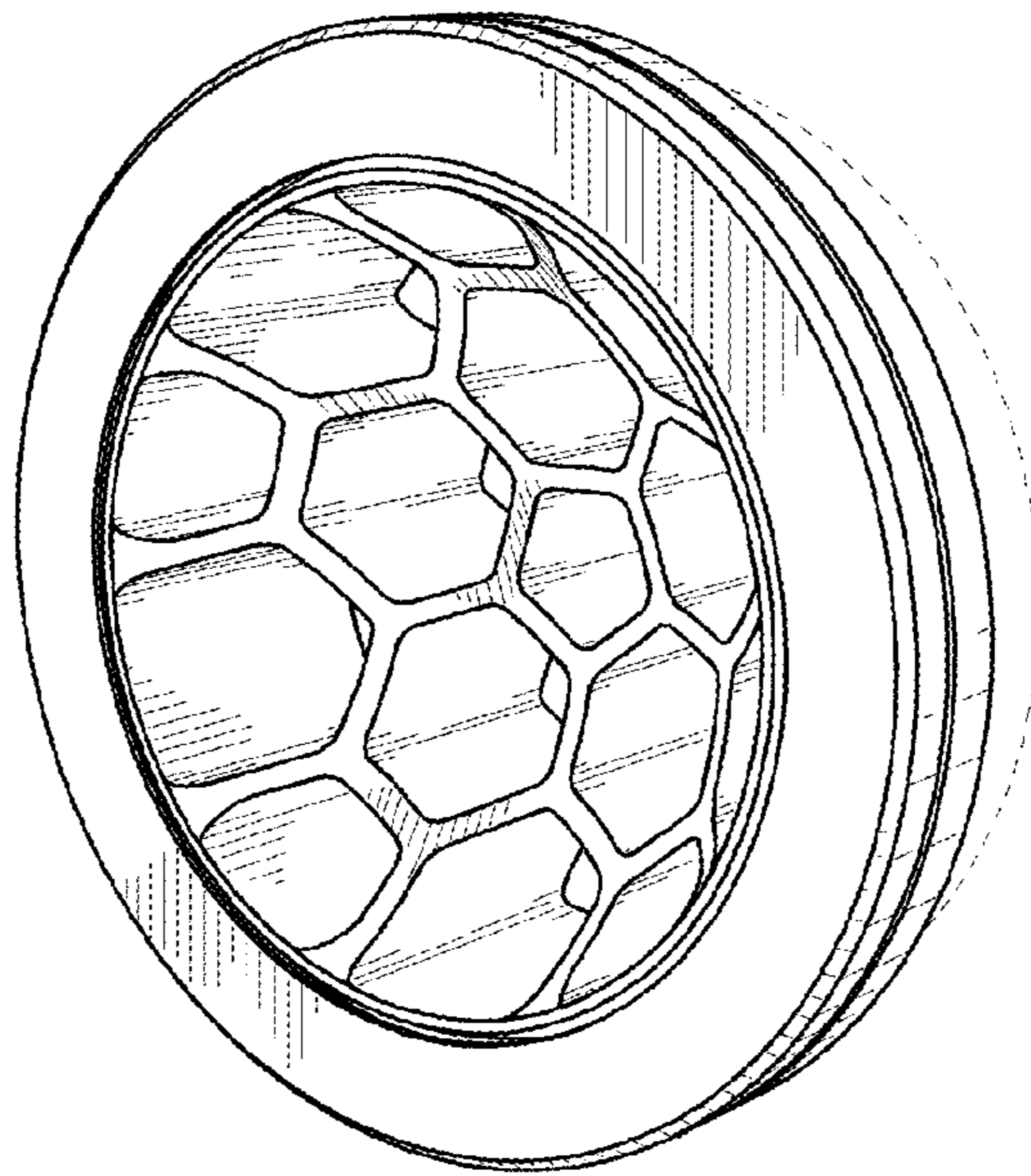
(56)

**References Cited**

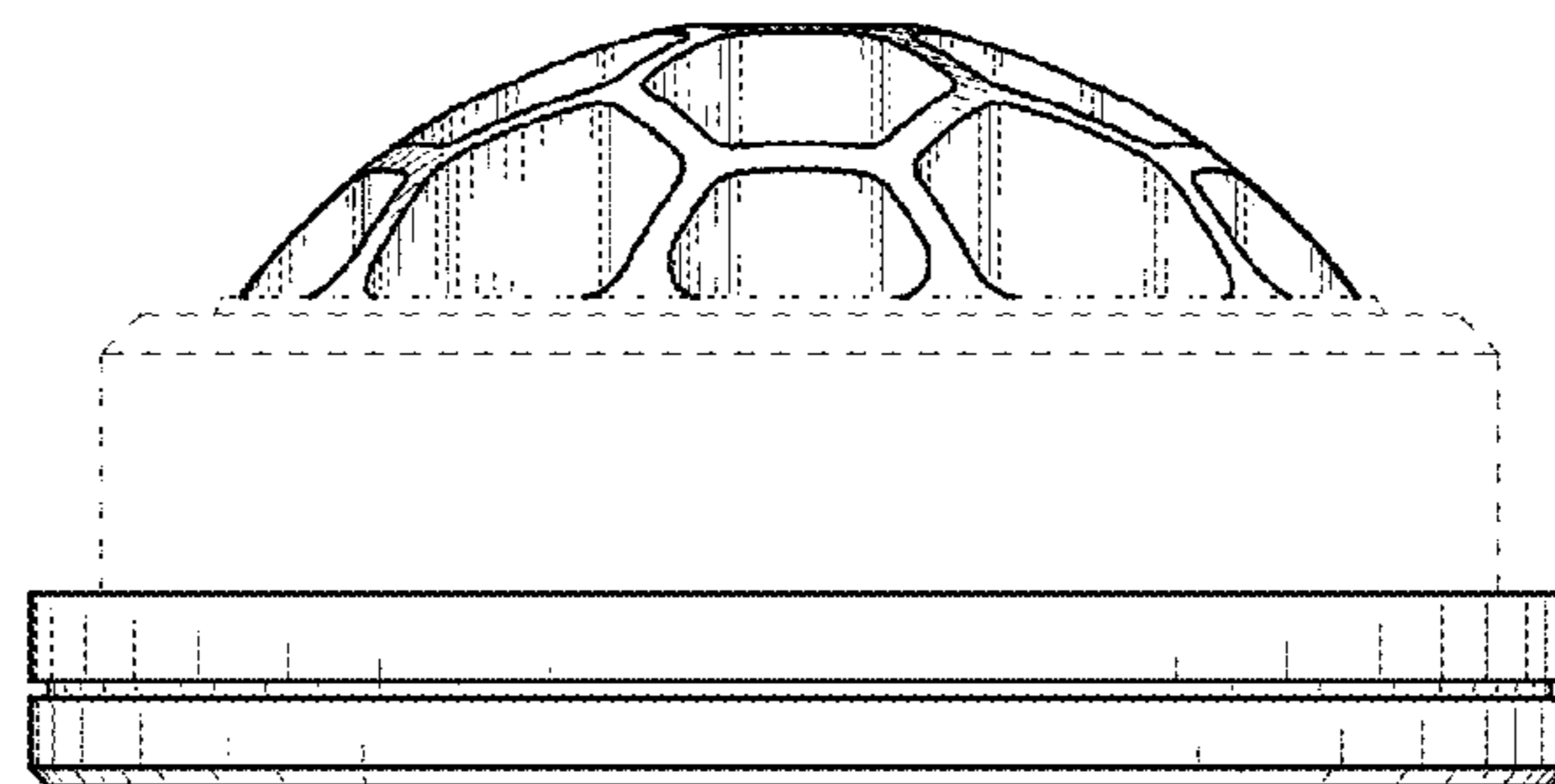
U.S. PATENT DOCUMENTS

2016/0102884 A1\* 4/2016 Terai ..... F24F 13/065  
454/335  
2017/0036508 A1\* 2/2017 Terasawa ..... B60H 1/345  
2017/0158028 A1\* 6/2017 Perosino ..... B60H 1/345  
2019/0193509 A1\* 6/2019 Helot ..... B60H 1/0065  
2020/0164722 A1\* 5/2020 Baker ..... B60H 1/3428

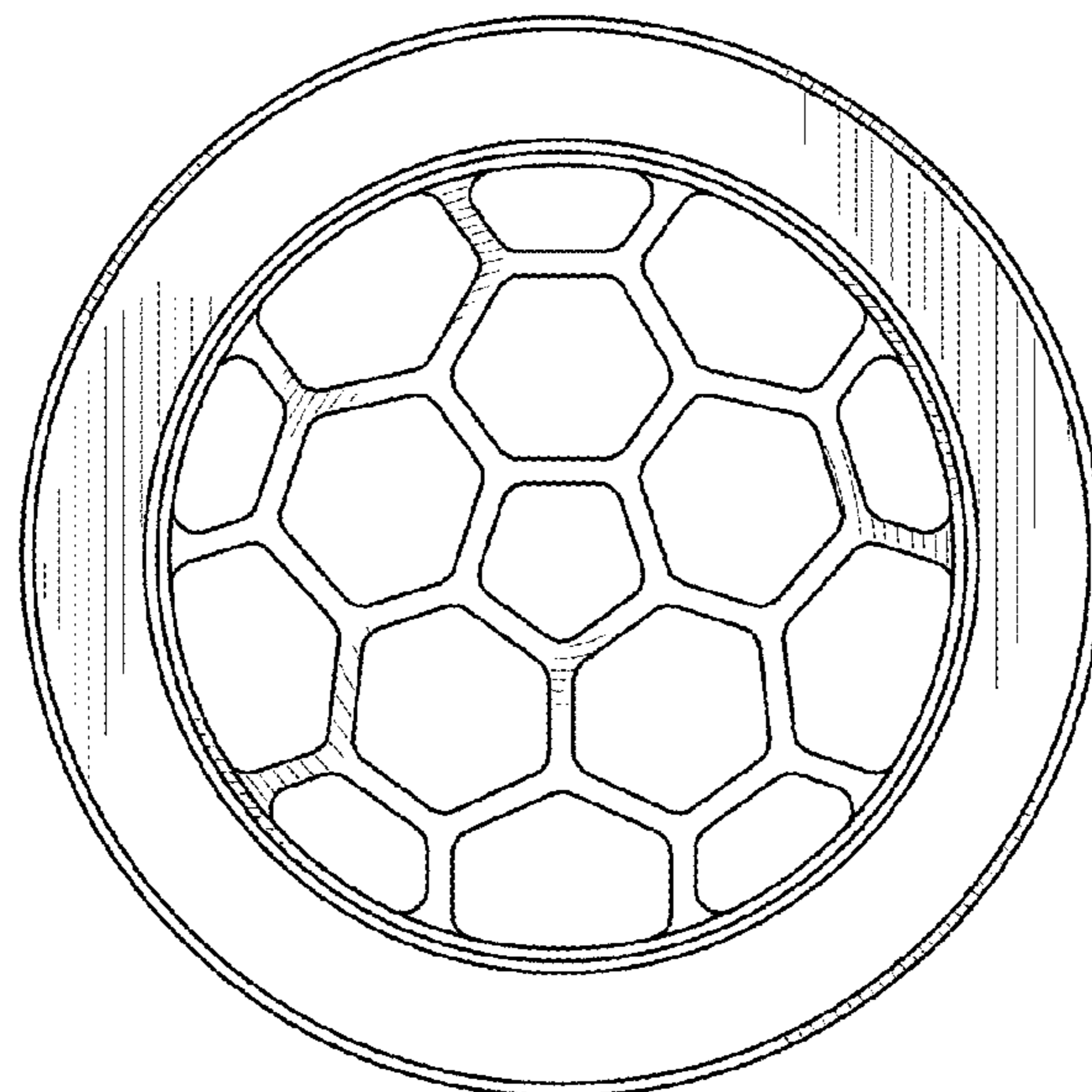
\* cited by examiner



**Fig. 1**

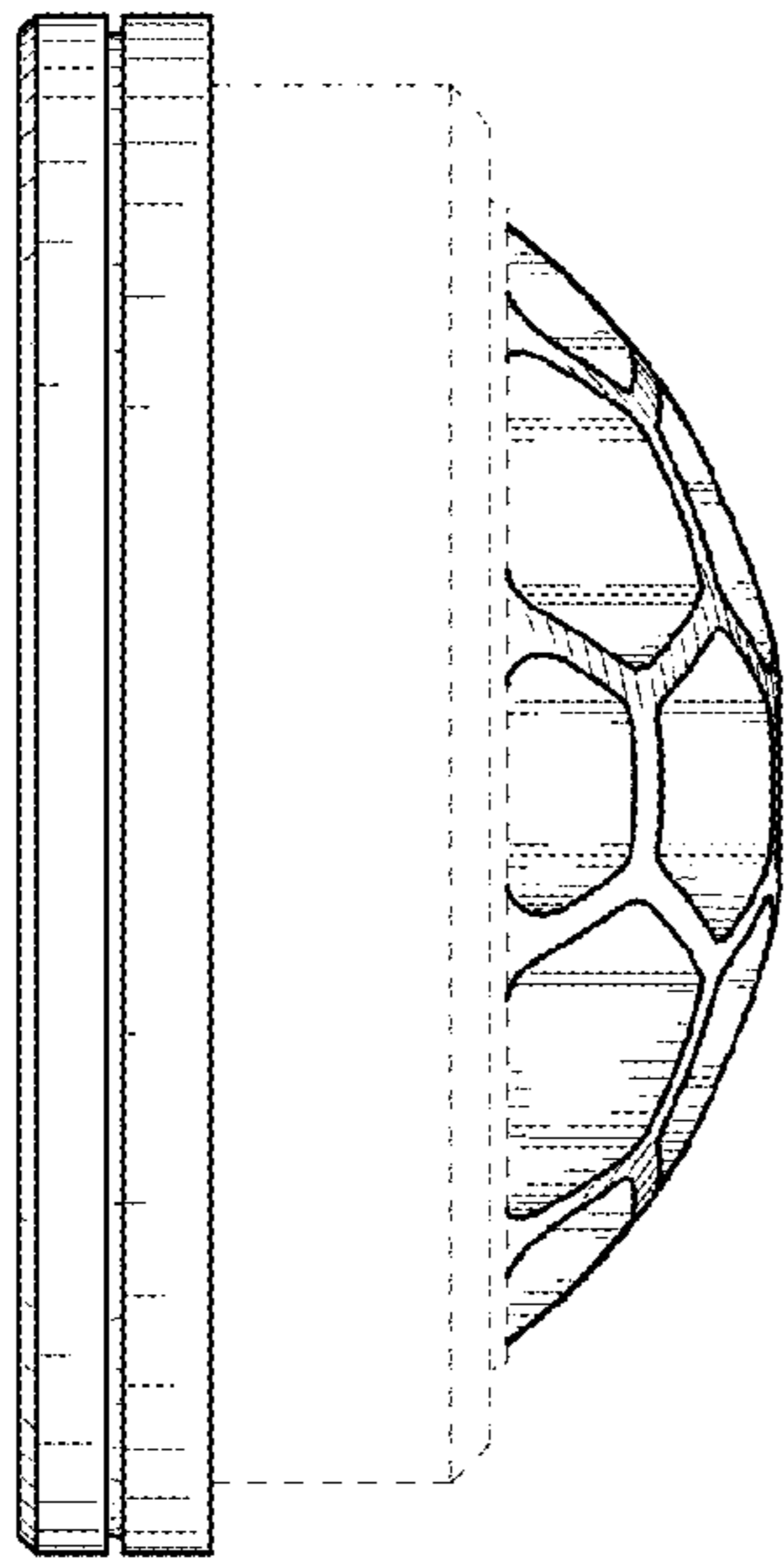


**Fig. 2**

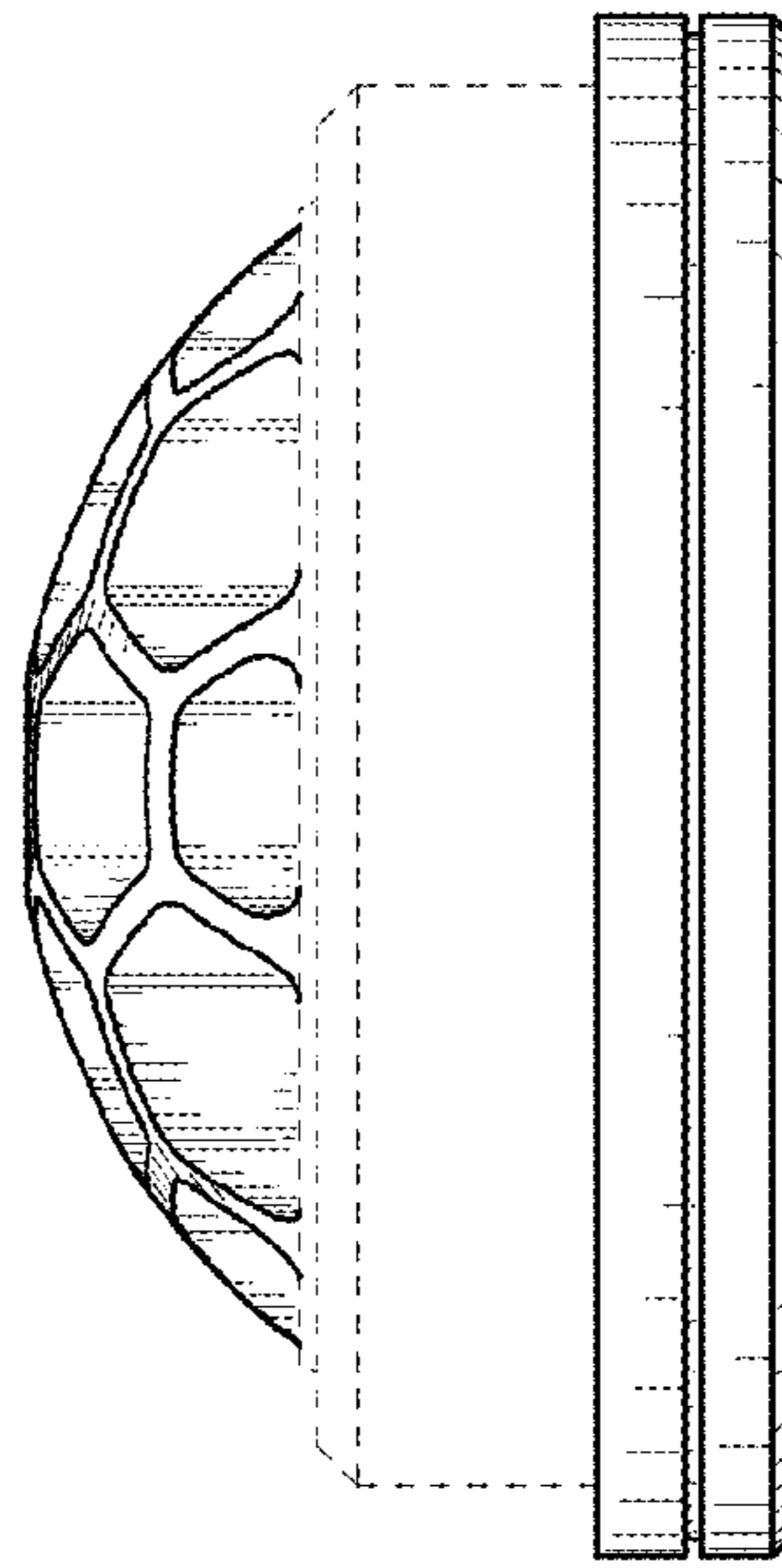


**Fig. 3**

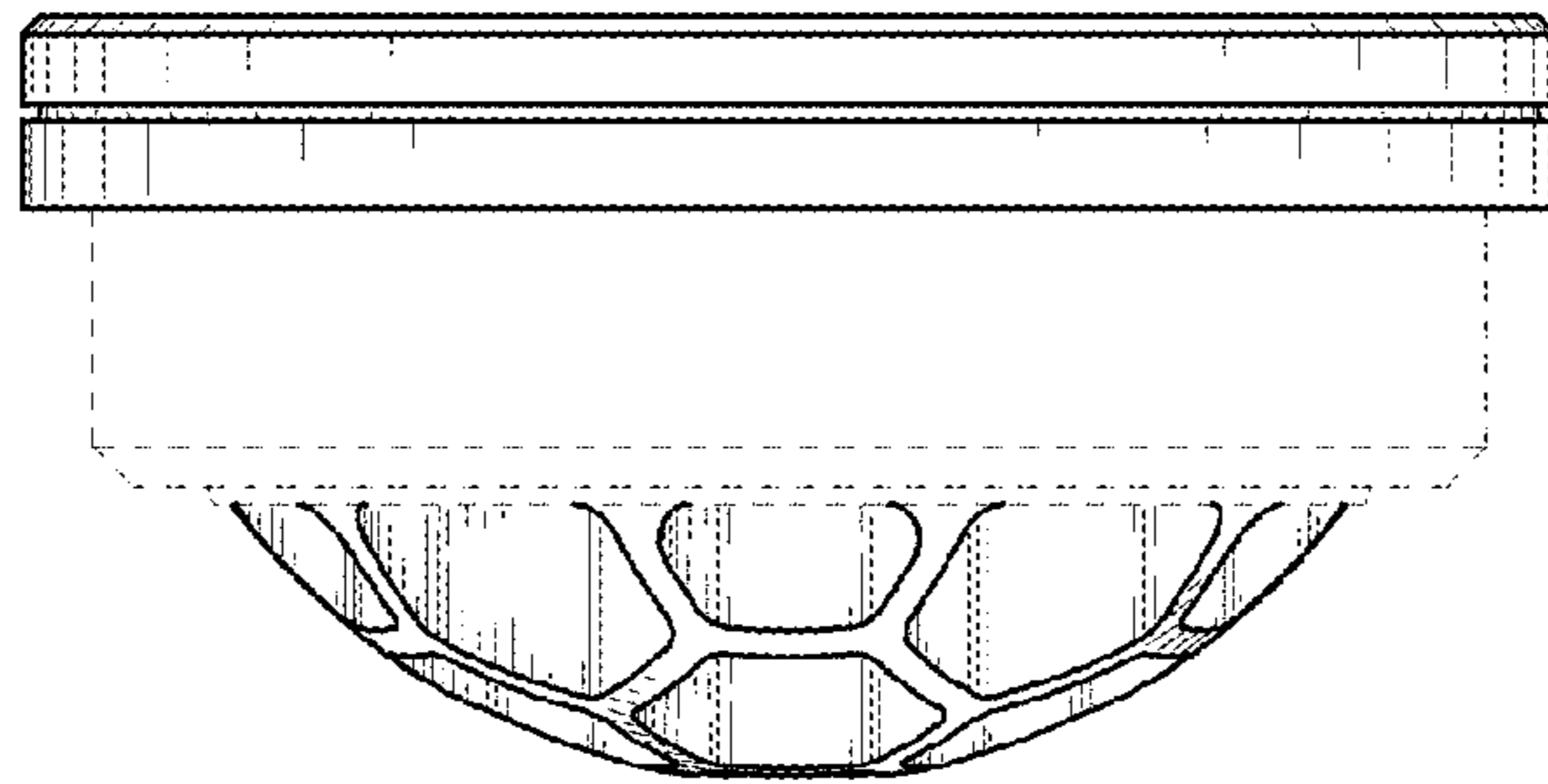




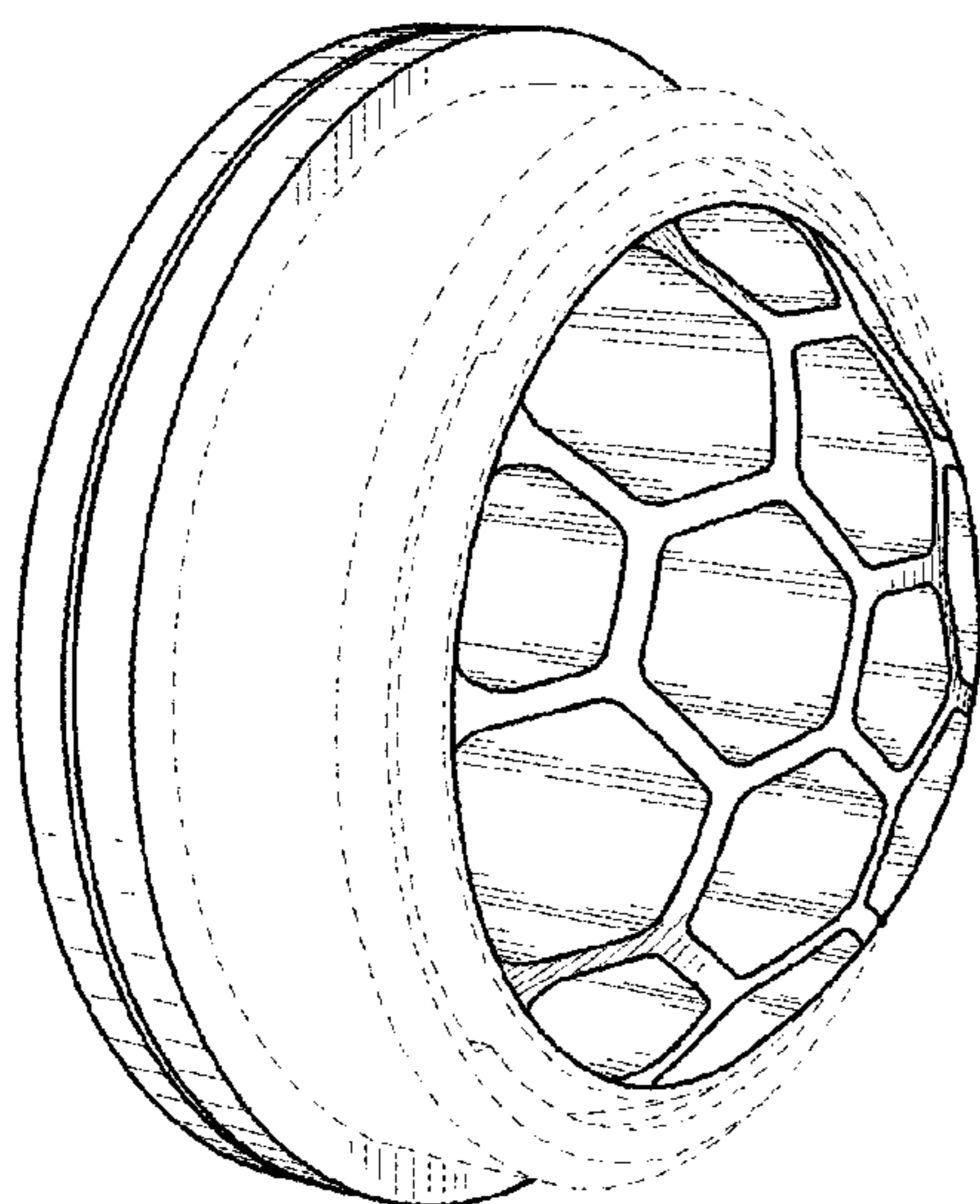
**Fig. 4**



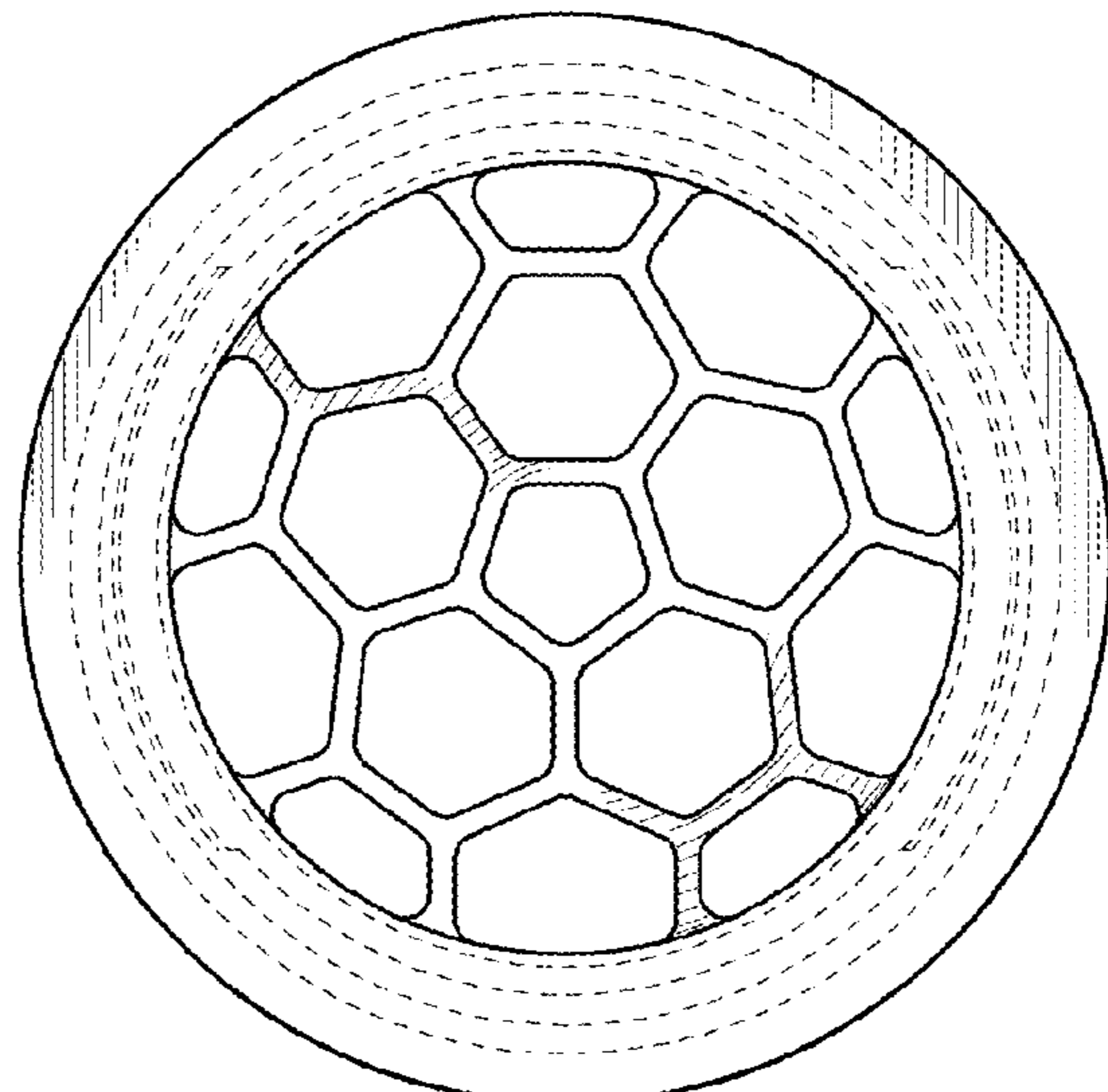
**Fig. 5**



**Fig. 6**



**Fig. 7**



**Fig. 8**