



US00D965118S

(12) **United States Design Patent** (10) **Patent No.:** **US D965,118 S**
Cook (45) **Date of Patent:** **** Sep. 27, 2022**

(54) **SHOWER PAN**

(71) Applicant: **Tile Redi, LLC**, Coral Springs, FL (US)
(72) Inventor: **Joseph R. Cook**, Parkland, FL (US)
(73) Assignee: **TILE REDI, LLC**, Charlotte, NC (US)
(**) Term: **15 Years**

(21) Appl. No.: **29/695,780**

(22) Filed: **Jun. 21, 2019**

(51) **LOC (13) Cl.** **23-02**

(52) **U.S. Cl.**
USPC **D23/304**

(58) **Field of Classification Search**
USPC D23/283, 303–304, 261
See application file for complete search history.

(56) **References Cited**

U.S. PATENT DOCUMENTS

5,004,534	A *	4/1991	Buzzelli	B01D 21/003 210/164
5,340,234	A *	8/1994	Rossi	E03F 3/046 405/119
D611,129	S *	3/2010	Hisey	D23/304
D612,027	S *	3/2010	Hisey	D23/304
8,474,069	B1 *	7/2013	Whitinger	E03F 5/0408 4/613
D687,524	S *	8/2013	Heiser	D23/261
8,677,521	B2 *	3/2014	Stimpson	A61H 35/00 4/613
8,857,109	B1 *	10/2014	Kirby	A47K 3/40 52/34
D721,795	S *	1/2015	Bernoti	D23/260

(Continued)

OTHER PUBLICATIONS

Juno 24 Inch Rectangular Grate Linear Drain For Shower: <https://www.junoshowers.com/juno-24-inch-linear-drain-for-shower-with-shower-drain-base-grate-cover.html> (Year: 2021).*

Primary Examiner — Robert A Delehanty
(74) *Attorney, Agent, or Firm* — Moore & Van Allen PLLC

(57) **CLAIM**

The ornamental design for a shower pan, as shown and described.

DESCRIPTION

FIG. 1 is a top plan view showing a first embodiment of the new design. The bottom of the article is flat and devoid of surface ornamentation, and is therefore not shown. FIG. 2 is a top left perspective view thereof. FIG. 3 is an enlarged fragmentary view of a portion of the design. The double object lines surrounding the drain grate and defining the opening in the floor shown in the enlargement of FIG. 3 do not appear in FIGS. 1 and 2. The front, back, left and right side elevational views of the article are flat and devoid of surface ornamentation, and are therefore not shown. FIG. 4 is a top plan view showing a second embodiment of the new design. The bottom of the article is flat and devoid of surface ornamentation, and is therefore not shown. FIG. 5 is a top left perspective view thereof; and, FIG. 6 is an enlarged fragmentary view of a portion of the design. The double object lines surrounding the drain grate and defining the opening in the floor shown in the enlargement of FIG. 6 do not appear in FIGS. 4 and 5. The front, back, left and right side elevational views of the article are flat and devoid of surface ornamentation, and are therefore not shown. The broken lines shown in the drawings represent unclaimed portions of the shower pan and forms no part of the claimed design.

1 Claim, 4 Drawing Sheets



(56)

References Cited

U.S. PATENT DOCUMENTS

9,127,446	B2 *	9/2015	Schlueter	E03F 5/0408
9,334,638	B1 *	5/2016	Kirby	E03F 5/0408
D843,550	S *	3/2019	Oatey	D23/261
D846,091	S *	4/2019	Keizers	D23/261
D849,210	S *	5/2019	Keizers	D23/261
D859,614	S *	9/2019	Bucher	D23/304
D875,904	S *	2/2020	Rocandio Mazagatos ..	D23/304
D909,544	S *	2/2021	Pohl	D23/261
D915,565	S *	4/2021	Meyers	D23/261
D922,551	S *	6/2021	Bucher	D23/304
2006/0239773	A1 *	10/2006	Meyers	E03F 3/046
				404/2
2011/0088160	A1 *	4/2011	Stimpson	A47K 3/40
				4/613
2011/0088161	A1 *	4/2011	Stimpson	A47K 3/40
				4/613
2011/0162137	A1 *	7/2011	Kik, Sr.	E03F 3/046
				4/613
2012/0198778	A1 *	8/2012	MacLean	E03F 3/046
				52/173.1
2018/0038091	A1 *	2/2018	Ismert	E03F 5/0408
2020/0181906	A1 *	6/2020	Pardo Esteban	B32B 3/08
2021/0040721	A1 *	2/2021	Larson	E03F 5/0408

* cited by examiner



Fig. 1

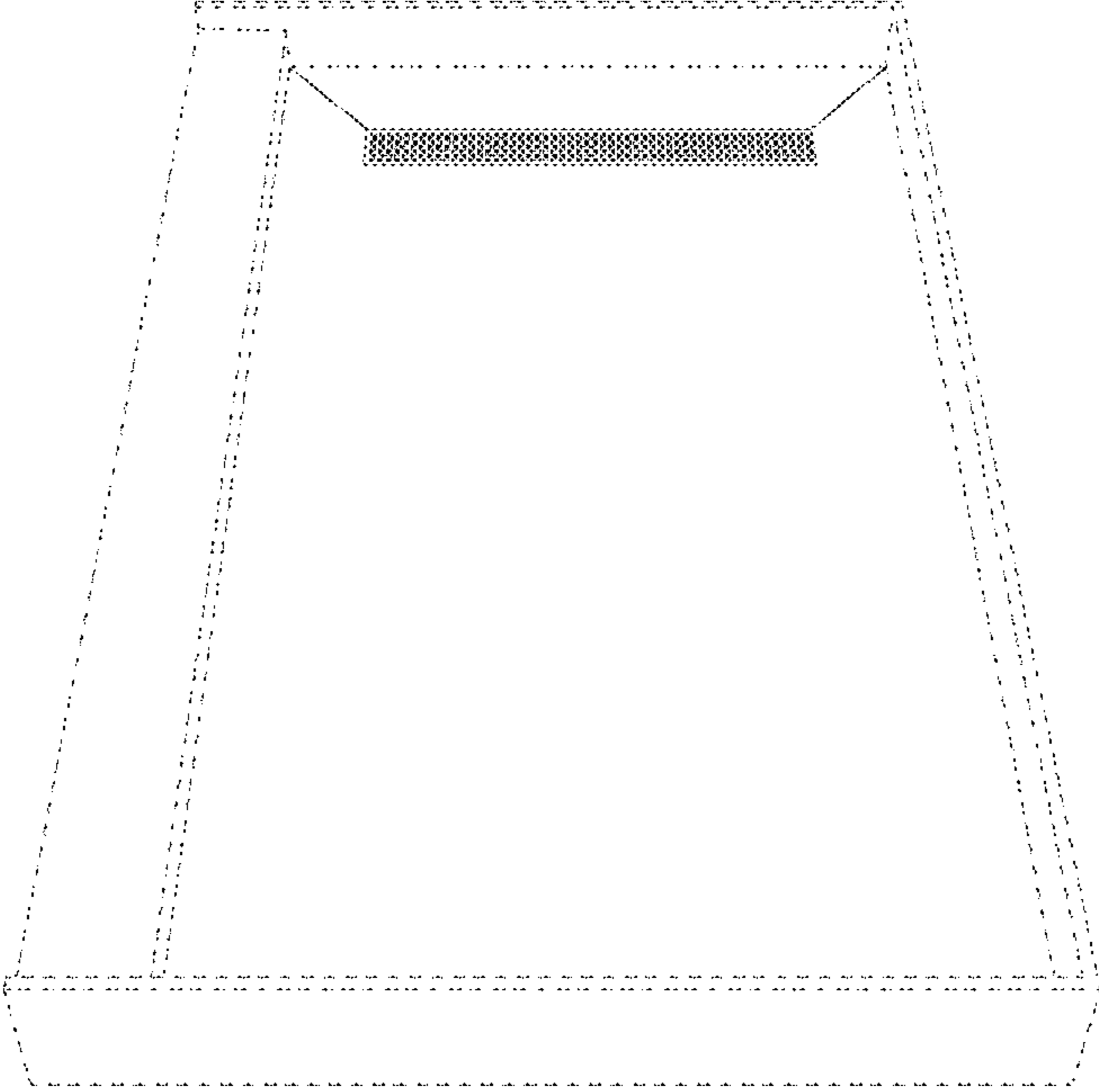


Fig. 2

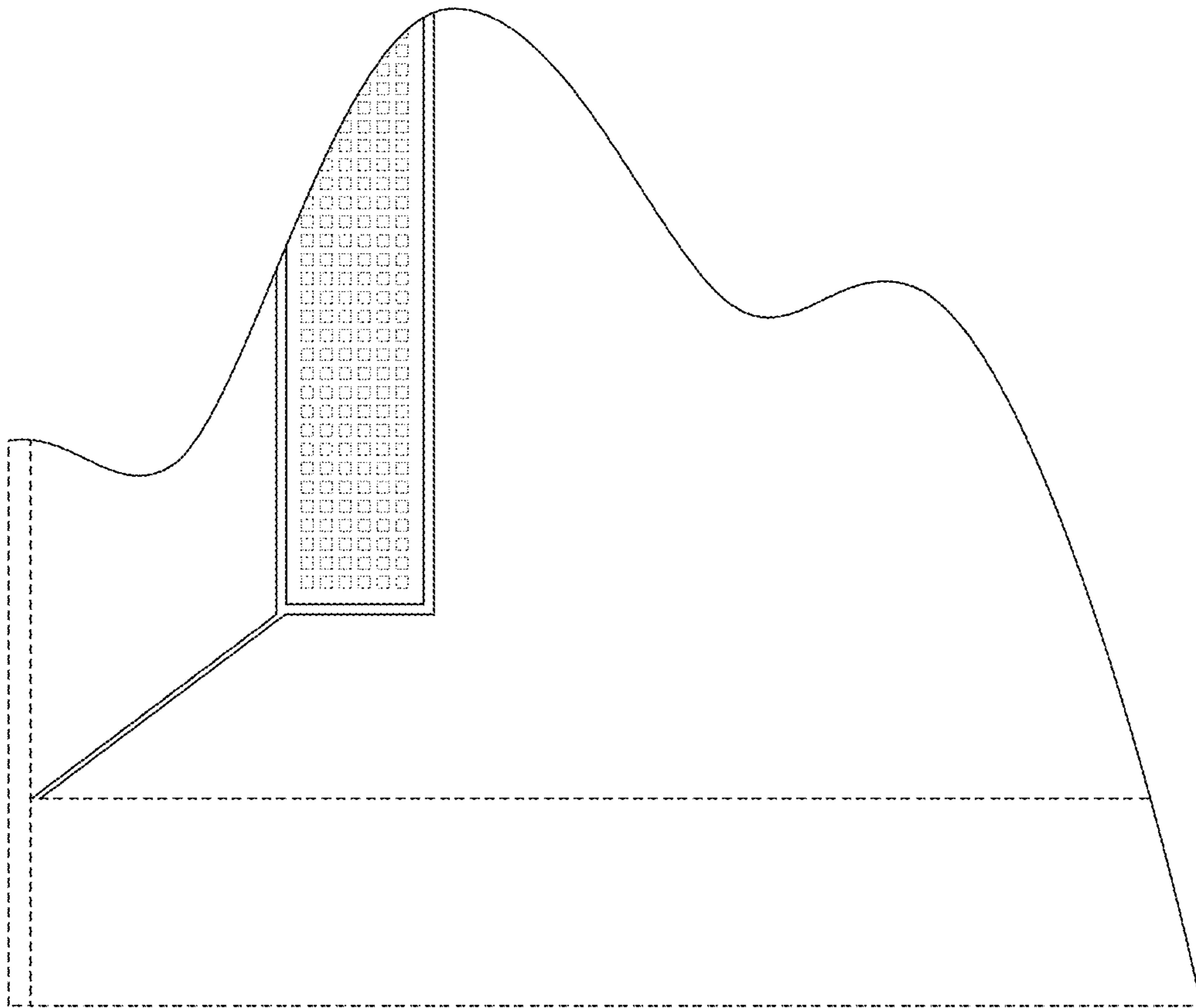


Fig. 3



Fig. 4

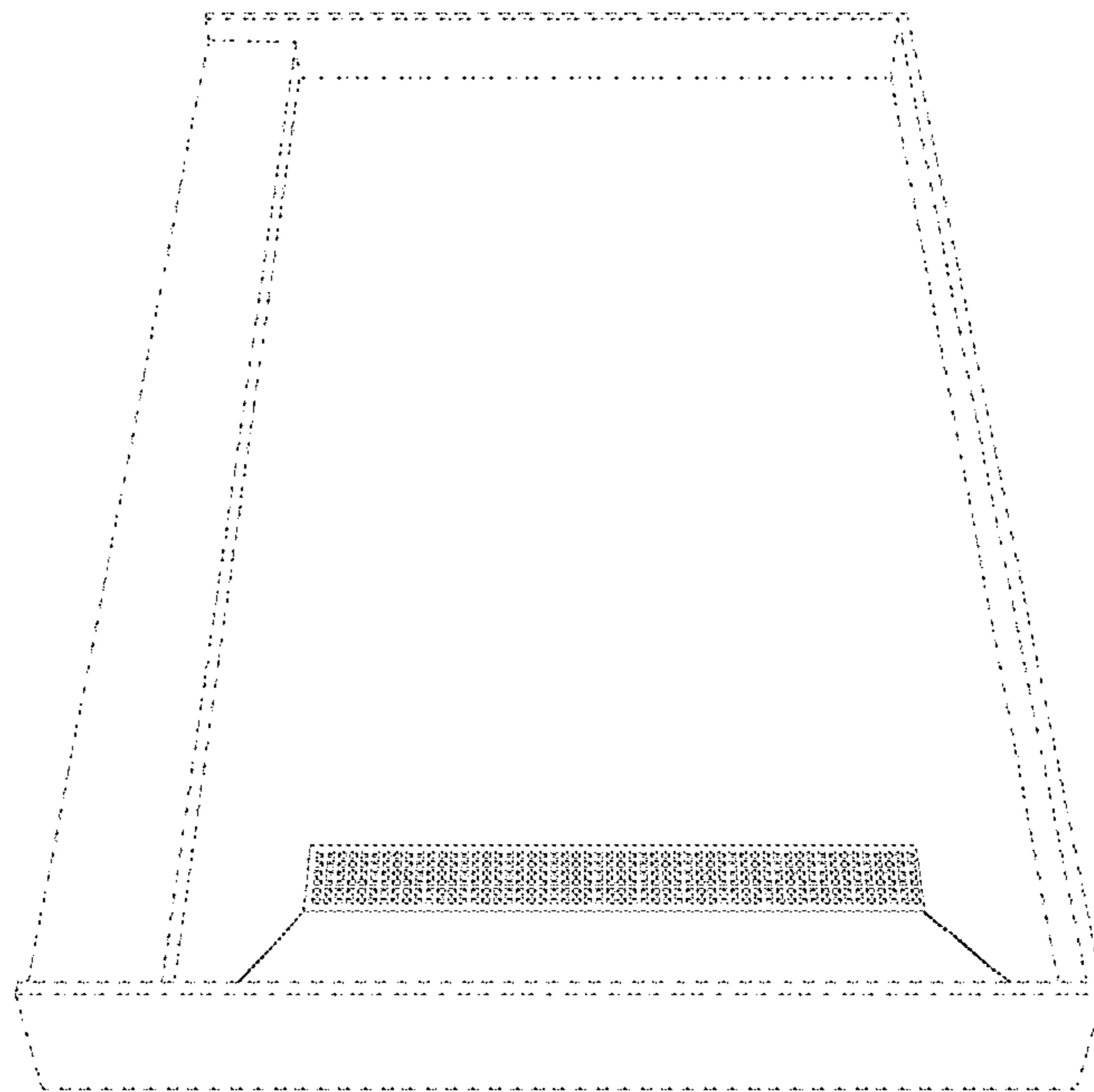


Fig. 5

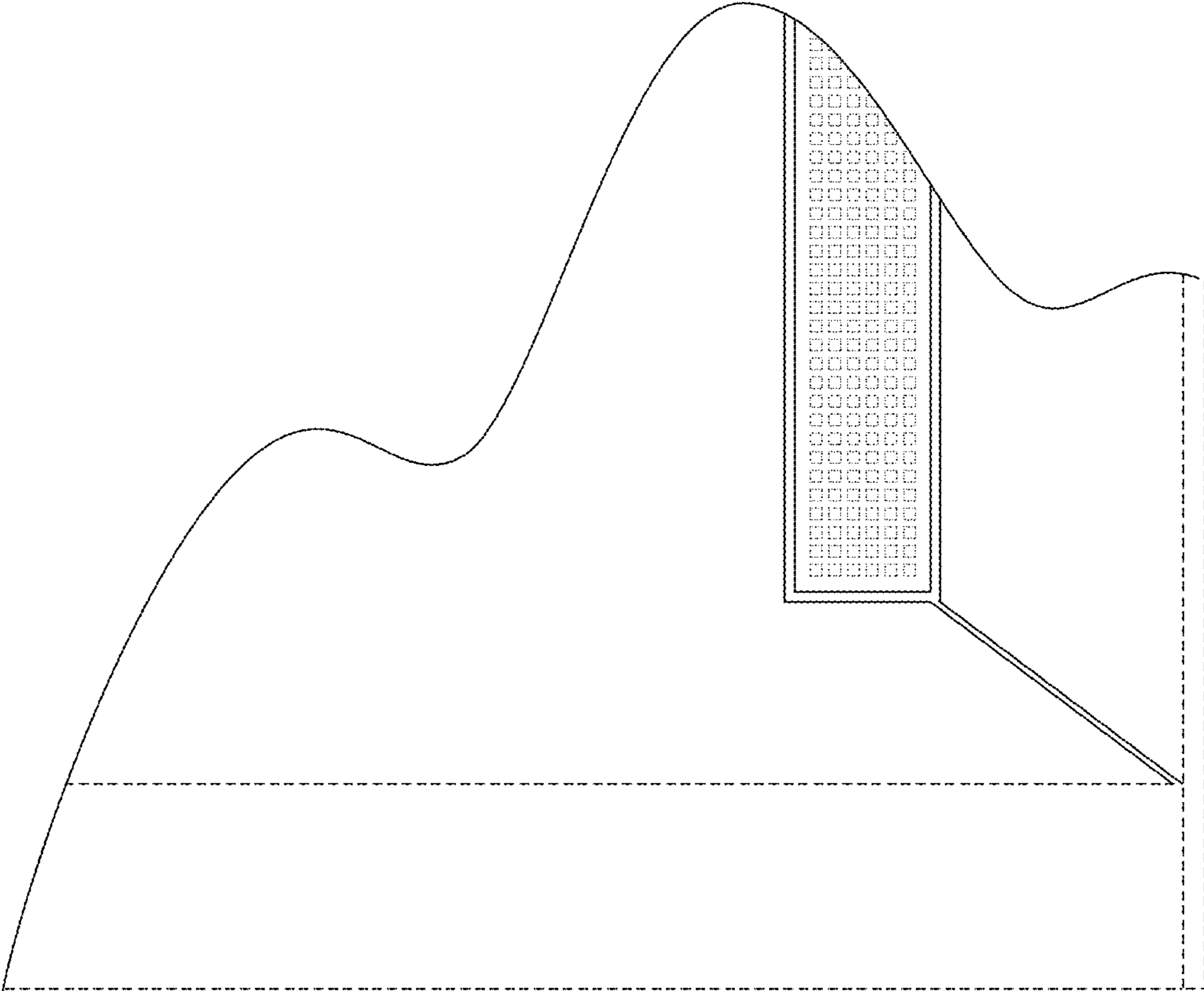


Fig. 6