



US00D965116S

(12) **United States Design Patent** (10) **Patent No.:** **US D965,116 S**  
**Attila et al.** (45) **Date of Patent:** **\*\* \*Sep. 27, 2022**

(54) **SPA JET INSERT COVER**  
(71) Applicant: **Wellis USA Inc.**, Miami, FL (US)  
(72) Inventors: **Szomor Attila**, Inárcs (HU); **Lakatos József**, Inárcs (HU); **Szmoleniczki Árpád**, Kiskunlacháza (HU)  
(73) Assignee: **Wellis USA Inc.**, Miami, FL (US)

D690,429 S \* 9/2013 Harder ..... D24/204  
D700,972 S \* 3/2014 Sears ..... D24/201  
D733,901 S \* 7/2015 Steimle ..... D24/201  
D740,953 S \* 10/2015 Spears ..... D24/201  
D754,829 S \* 4/2016 Krombein ..... D23/261  
D785,764 S \* 5/2017 Eads ..... D23/254  
D804,643 S \* 12/2017 Green ..... D23/393  
D810,881 S \* 2/2018 Bahler ..... D23/249  
D815,511 S \* 4/2018 Groleski ..... D8/350  
D833,632 S \* 11/2018 Walker ..... D24/201

(Continued)

(\*) Notice: This patent is subject to a terminal disclaimer.

(\*\*) Term: **15 Years**

(21) Appl. No.: **29/763,354**

(22) Filed: **Dec. 22, 2020**

(30) **Foreign Application Priority Data**  
Jun. 25, 2020 (EM) ..... 008020366-0003  
Jun. 25, 2020 (EM) ..... 008020366-0004

(51) **LOC (13) Cl.** ..... **23-01**  
(52) **U.S. Cl.**  
USPC ..... **D23/249**

(58) **Field of Classification Search**  
USPC ..... D23/213–215, 254–256; D24/201–205  
CPC ..... A61H 9/0021; A61H 33/00; B05B 1/00;  
B05B 1/14; B05B 1/185; B05B 1/08;  
B05B 1/02; B05B 1/26; B05B 12/002;  
B05B 1/18; B05B 9/01  
See application file for complete search history.

(56) **References Cited**  
U.S. PATENT DOCUMENTS  
D463,849 S \* 10/2002 Otero ..... D23/254  
D531,730 S \* 11/2006 Loyd ..... D24/201  
D534,249 S \* 12/2006 Gilbert ..... D23/254  
D574,501 S \* 8/2008 Holtsnider ..... D24/201  
D574,964 S \* 8/2008 Holtsnider ..... D24/201  
D591,863 S \* 5/2009 Holtsnider ..... D24/204  
D655,820 S \* 3/2012 Thomas ..... D24/204  
D682,995 S \* 5/2013 Feliciano ..... D23/261

**OTHER PUBLICATIONS**

5-inch Floating Pool Chlorine Dispenser, Adjustable-Release Sterilizing Floater Dispenser, Jul. 17, 2020, amazon.ca, Feb. 18, 2022, URL: <https://www.amazon.ca/dp/B08D6JYRXV/> (Year: 2020).  
Waterway Plastics 806105021465 Internal White Adjustable Deluxe Poly Jet, Oct. 19, 2014, amazon.ca, Feb. 18, 2022, URL: <https://www.amazon.ca/Waterway-Plastics-806105021465-Internal-Adjustable/dp/B003VW0S4W> (Year: 2014).\*

(Continued)

*Primary Examiner* — Keith J Wilson  
(74) *Attorney, Agent, or Firm* — Wood Herron & Evans LLP

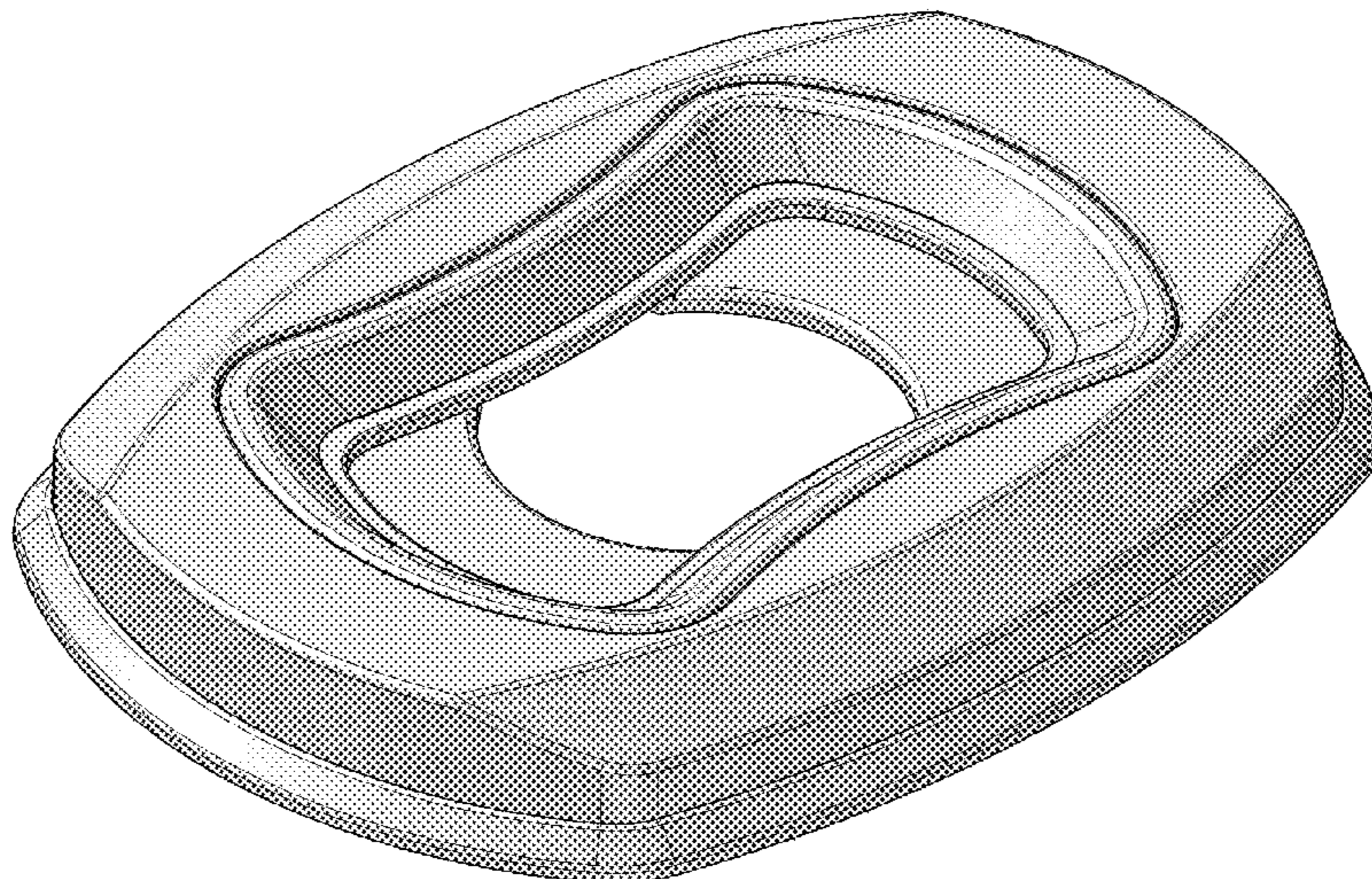
(57) **CLAIM**

The ornamental design for a spa jet insert cover, as shown and described.

**DESCRIPTION**

FIG. 1 is a front right top perspective view of a spa jet insert cover according to the present invention.  
FIG. 2 is a front view thereof, the rear view being a mirror image thereof.  
FIG. 3 is a left side view thereof, the right side view being a mirror image thereof.  
FIG. 4 is a top view thereof; and,  
FIG. 5 is a bottom view thereof.  
The broken lines shown represent unclaimed portions of a spa jet insert cover and form no part of the claimed design.

**1 Claim, 4 Drawing Sheets**



(56)

References Cited

U.S. PATENT DOCUMENTS

D834,210	S *	11/2018	Walker	.....	D24/201
D834,211	S *	11/2018	Walker	.....	D24/201
D914,849	S *	3/2021	Staler	.....	D8/352
D917,021	S *	4/2021	Jan	.....	D23/260
D929,599	S *	8/2021	Vogtner	.....	D24/201
2004/0026542	A1 *	2/2004	Loyd	.....	A61H 33/6063 239/587.1
2009/0133188	A1 *	5/2009	Peng	.....	A61H 33/6063 4/541.6
2014/0101840	A1 *	4/2014	Harder	.....	A61H 33/6063 4/541.6
2021/0095792	A1 *	4/2021	O'Neill	.....	F16L 5/00
2021/0251847	A1 *	8/2021	Tran	.....	F04D 29/22
2022/0145653	A1 *	5/2022	Vogtner	.....	E04H 4/14

OTHER PUBLICATIONS

K-9696-CP Flexjet Whirlpool Trim Kit with Six Jets, Oct. 28, 2014, wayfair.com, Feb. 18, 2022, URL: <https://www.wayfair.com/Kohler-Flexjet-Whirlpool-Trim-Kit-with-Six-Jets-K9696-L613-K-KOH5079>. (Year: 2014).\*

Pool and Spa Eyeball Jet 1.5" Threaded to 3/4", Aug. 7, 2014, amazon.ca, Feb. 18, 2022, URL: <https://www.amazon.ca/Pool-Eyeball-Jet-Threaded-Adjustable/dp/B004L733Y8> (Year: 2014).\*

Kohler 71839-CP Escutcheon Kit, Aug. 4, 2014, amazon.ca, May 16, 2022, URL: <https://www.amazon.ca/Kohler-71839-CP-Escutcheon-Kit/dp/B00LUKJFT6/> (Year: 2014).\*

Delta RP51346SS Lahara Bathroom Escutcheon, Feb. 2, 2011, amazon.ca, May 16, 2022, URL: <https://www.amazon.ca/Delta-RP51346SS-Bathroom-Escutcheon-Stainless/dp/B002Q40K5S/> (Year: 2011).\*

\* cited by examiner

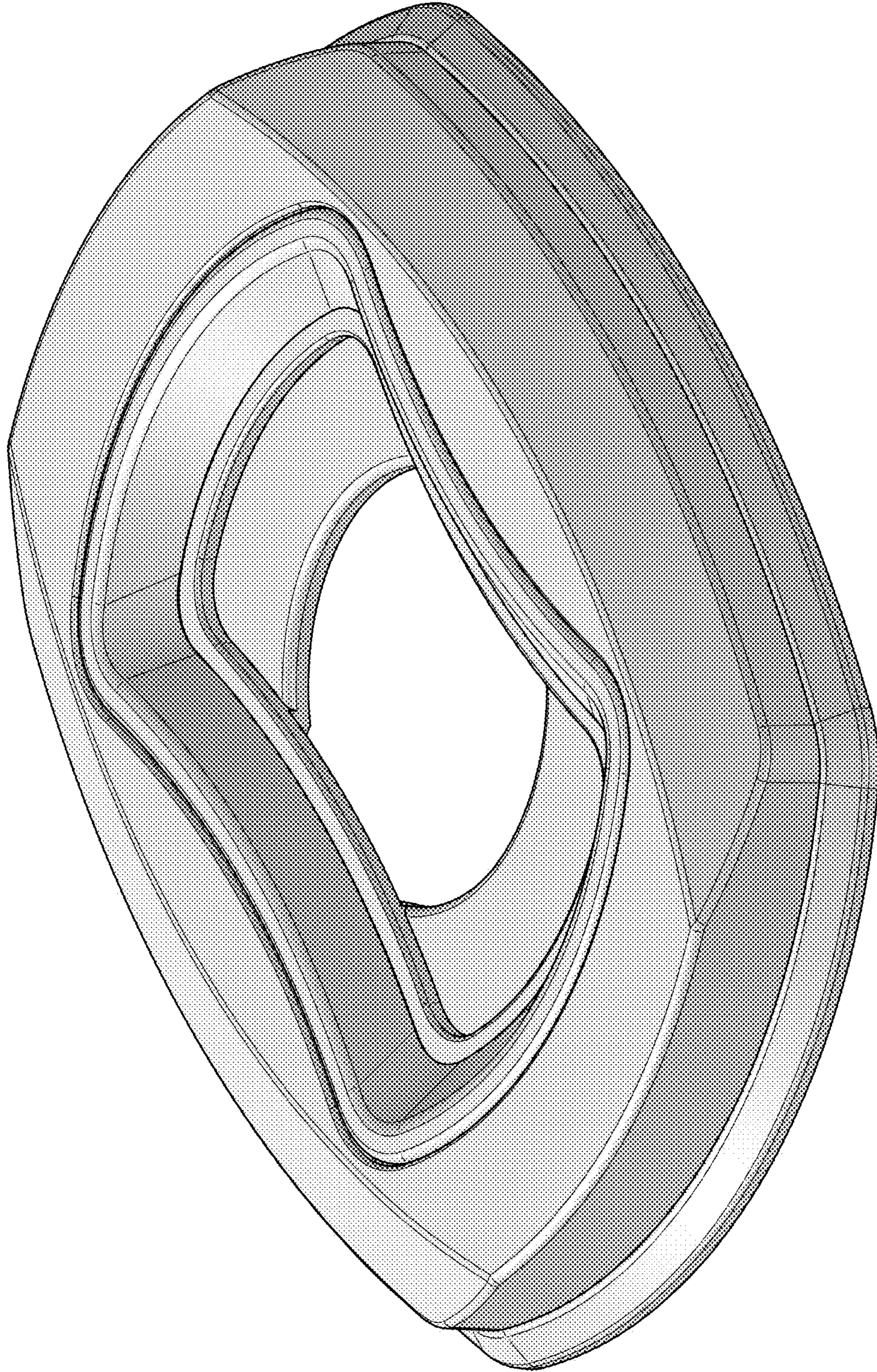


FIG. 1

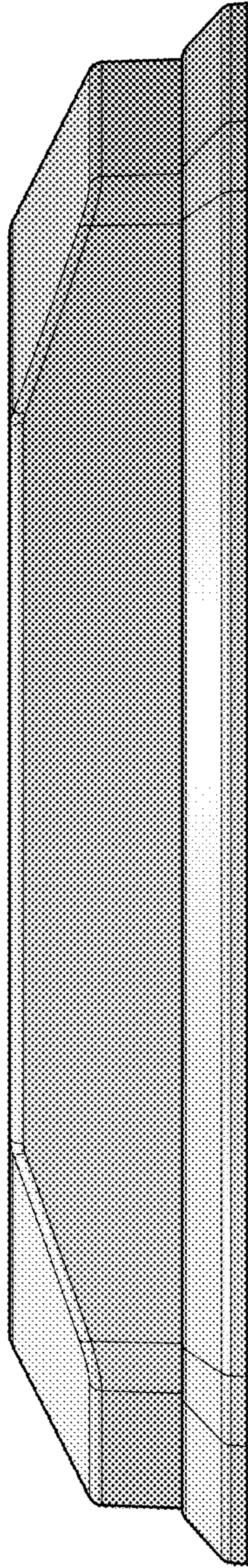


FIG. 2

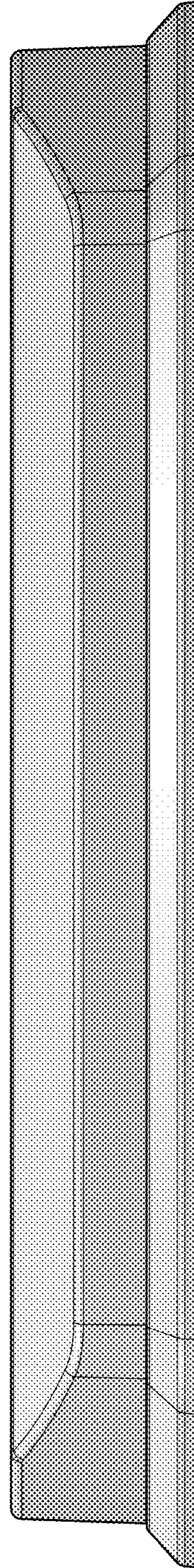


FIG. 3

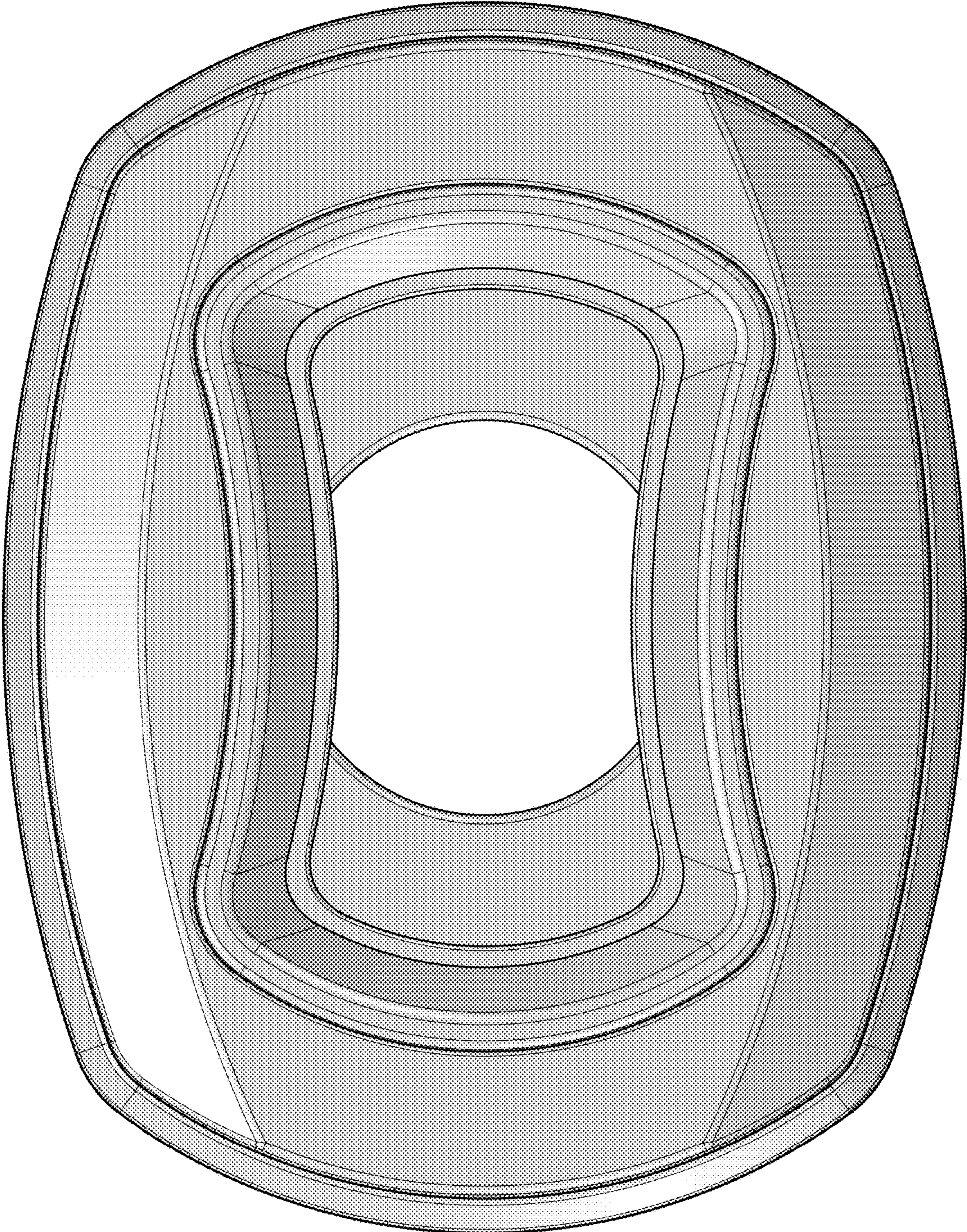


FIG. 4

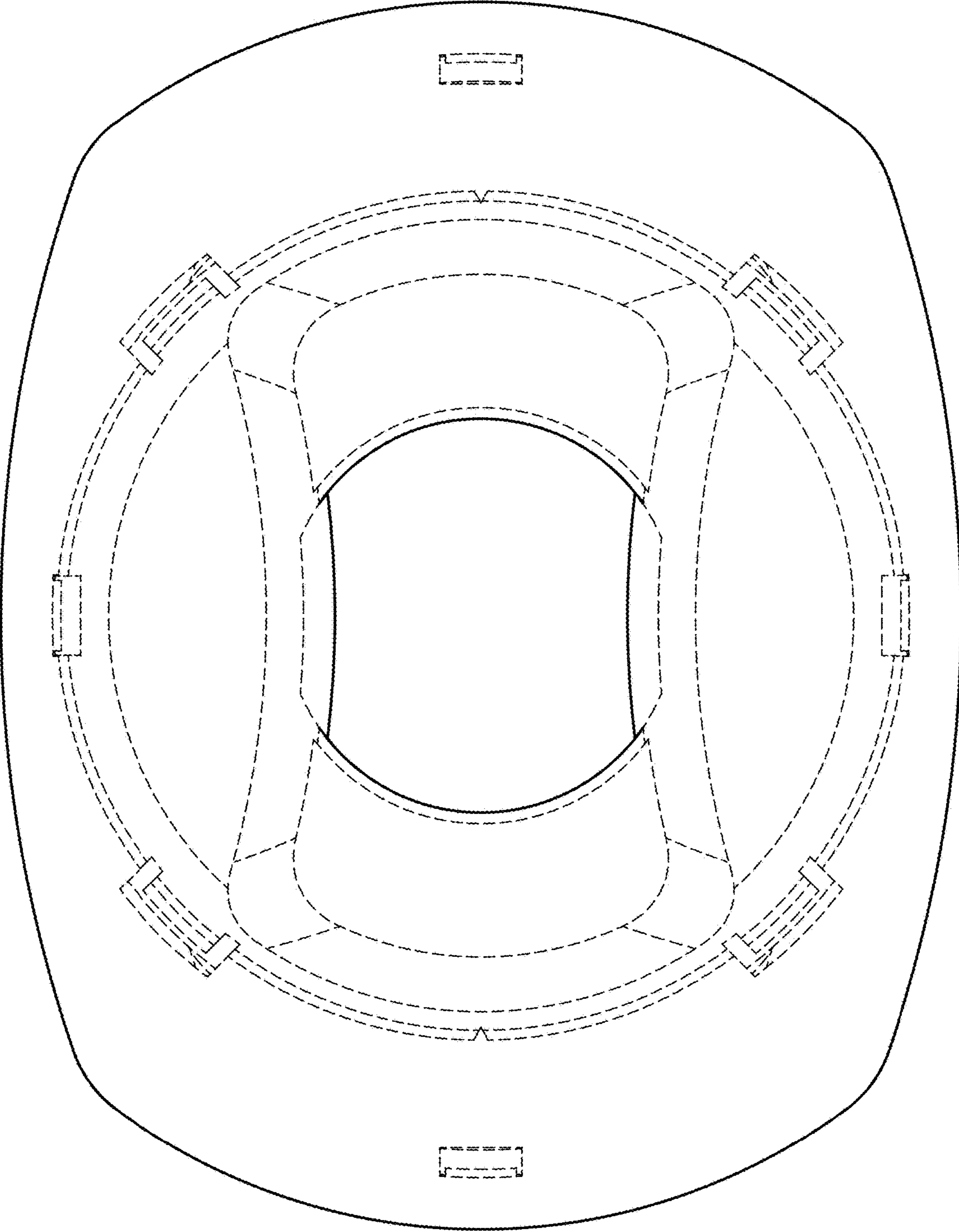


FIG. 5