



US00D965114S

(12) **United States Design Patent** (10) **Patent No.:** **US D965,114 S**  
**Tinaphong** (45) **Date of Patent:** **\*\* Sep. 27, 2022**

(54) **MANIPULATOR UNIT FOR ATTACHMENT TO A FLUID VALVE**

D623,271 S \* 9/2010 Yamada ..... D23/233  
9,976,288 B2 5/2018 McAward et al.  
D836,754 S \* 12/2018 Johanning ..... D23/245

(71) Applicant: **VOXX International Corporation**,  
Hauppauge, NY (US)

(Continued)

(72) Inventor: **Prapan Paul Tinaphong**, Carmel, IN  
(US)

FOREIGN PATENT DOCUMENTS

CN 103791142 A 5/2014 ..... F16K 31/11

(73) Assignee: **VOXX International Corporation**,  
Hauppauge, NY (US)

OTHER PUBLICATIONS

(\*\*) Term: **15 Years**

The Notification of Transmittal of the International Search Report and the Written Opinion of the International Searching Authority, or the Declaration, dated Jan. 28, 2019, which was issued by the International Searching Authority of WIPO in Applicant's related international PCT application having Serial No. PCT/US2018/052558, filed on Sep. 25, 2018.

(21) Appl. No.: **29/725,463**

(Continued)

(22) Filed: **Feb. 25, 2020**

**Related U.S. Application Data**

(63) Continuation of application No. 16/140,741, filed on Sep. 25, 2018, now Pat. No. 10,816,432.

*Primary Examiner* — Gino Colan

(60) Provisional application No. 62/564,539, filed on Sep. 28, 2017.

(74) *Attorney, Agent, or Firm* — Bodner & O'Rourke, LLP; Gerald T. Bodner; Christian P. Bodner

(51) **LOC (13) Cl.** ..... **23-01**

(57) **CLAIM**

The ornamental design of a manipulator unit for attachment to a fluid valve, substantially as shown and described.

(52) **U.S. Cl.**  
USPC ..... **D23/249**

**DESCRIPTION**

(58) **Field of Classification Search**  
USPC ..... D23/233, 249, 263  
CPC ..... F16K 17/06; F16K 15/026; F15B 13/024;  
F15B 2211/50518; F15B 13/025; F15B  
2211/329  
See application file for complete search history.

FIG. 1 is a front perspective view of a manipulator unit for attachment to a fluid valve showing my new design; FIG. 2 is a bottom rear perspective view thereof; FIG. 3 is a top rear perspective view thereof; FIG. 4 is a front elevational view thereof; FIG. 5 is a rear elevational view thereof; FIG. 6 is a left elevational view thereof; FIG. 7 is a right elevational view thereof; FIG. 8 is a top plan view thereof; and, FIG. 9 is a bottom plan view thereof.

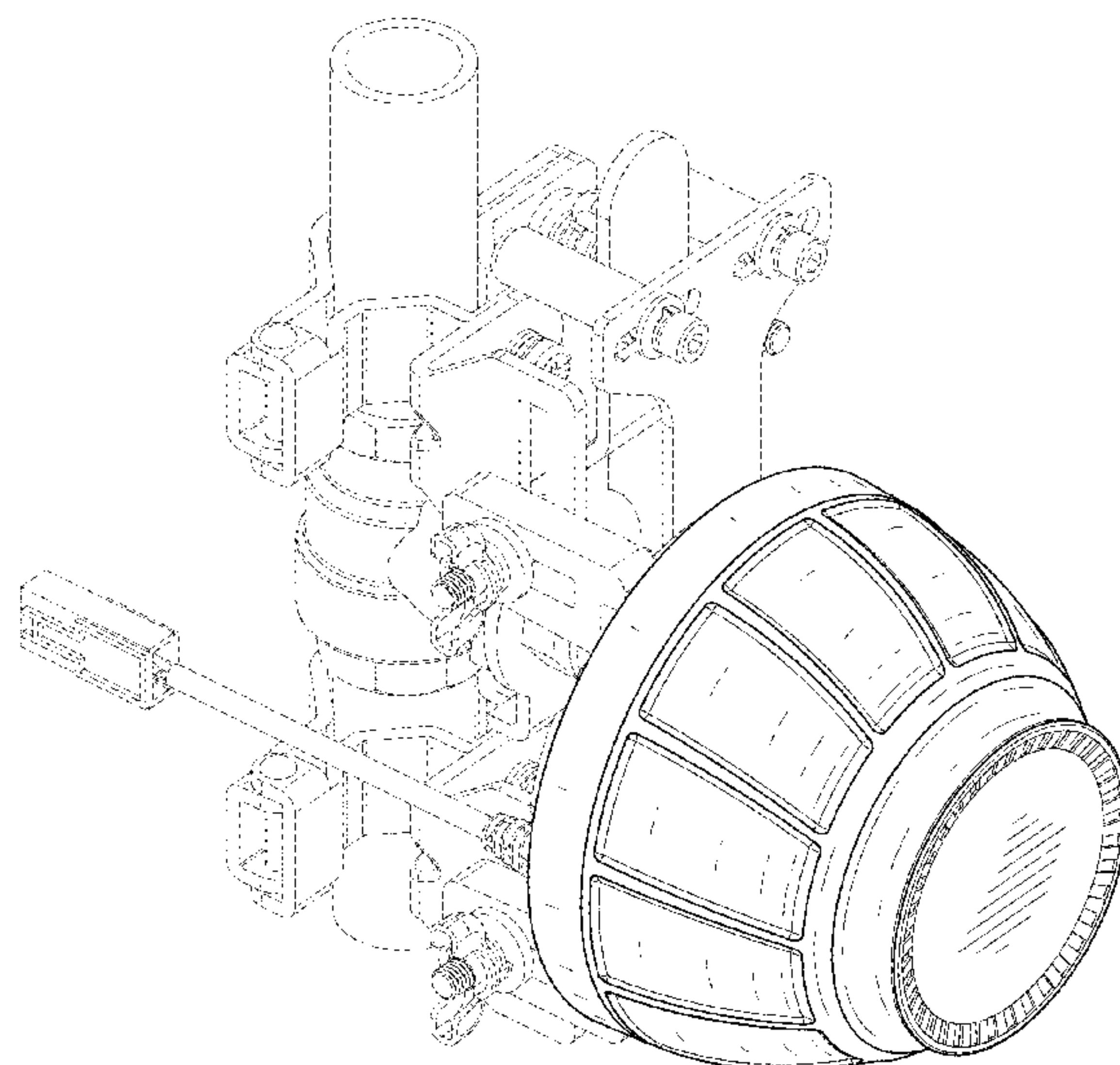
(56) **References Cited**

U.S. PATENT DOCUMENTS

4,324,268 A 4/1982 Jacobson ..... 137/312  
5,409,037 A 4/1995 Wheeler et al. .... 137/551  
7,044,154 B2 5/2006 Henderson et al. .... 137/312  
7,066,192 B1 6/2006 Delaney et al. .... 137/15.18  
D623,270 S \* 9/2010 Fukano ..... D23/233

The broken lines shown in the figures are for the purpose of illustrating portions of the manipulator unit for attachment to a fluid valve and form no part of the claimed design.

**1 Claim, 9 Drawing Sheets**



(56)

**References Cited**

U.S. PATENT DOCUMENTS

D888,895	S	*	6/2020	Kohshoh	.....	D23/249
D931,420	S	*	9/2021	Johanning	.....	D23/245
2005/0224118	A1		10/2005	Tornay	.....	137/624.11
2007/0289635	A1		12/2007	Ghazarian et al.	.....	137/312
2008/0143540	A1		6/2008	Savla	.....	340/605
2008/0314466	A1		12/2008	Cimberio et al.	.....	137/883
2017/0044744	A1		2/2017	Everhart		

OTHER PUBLICATIONS

The Written Opinion of the International Searching Authority, dated Jan. 28, 2019, which was issued by the International Searching Authority of WIPO in Applicant's related international PCT application having Serial No. PCT/US2018/052558, filed on Sep. 25, 2018.

The International Search Report, dated Jan. 28, 2019, which was issued by the International Searching Authority of WIPO in Applicant's related international PCT application having Serial No. PCT/US2018/052558, filed on Sep. 25, 2018.

\* cited by examiner

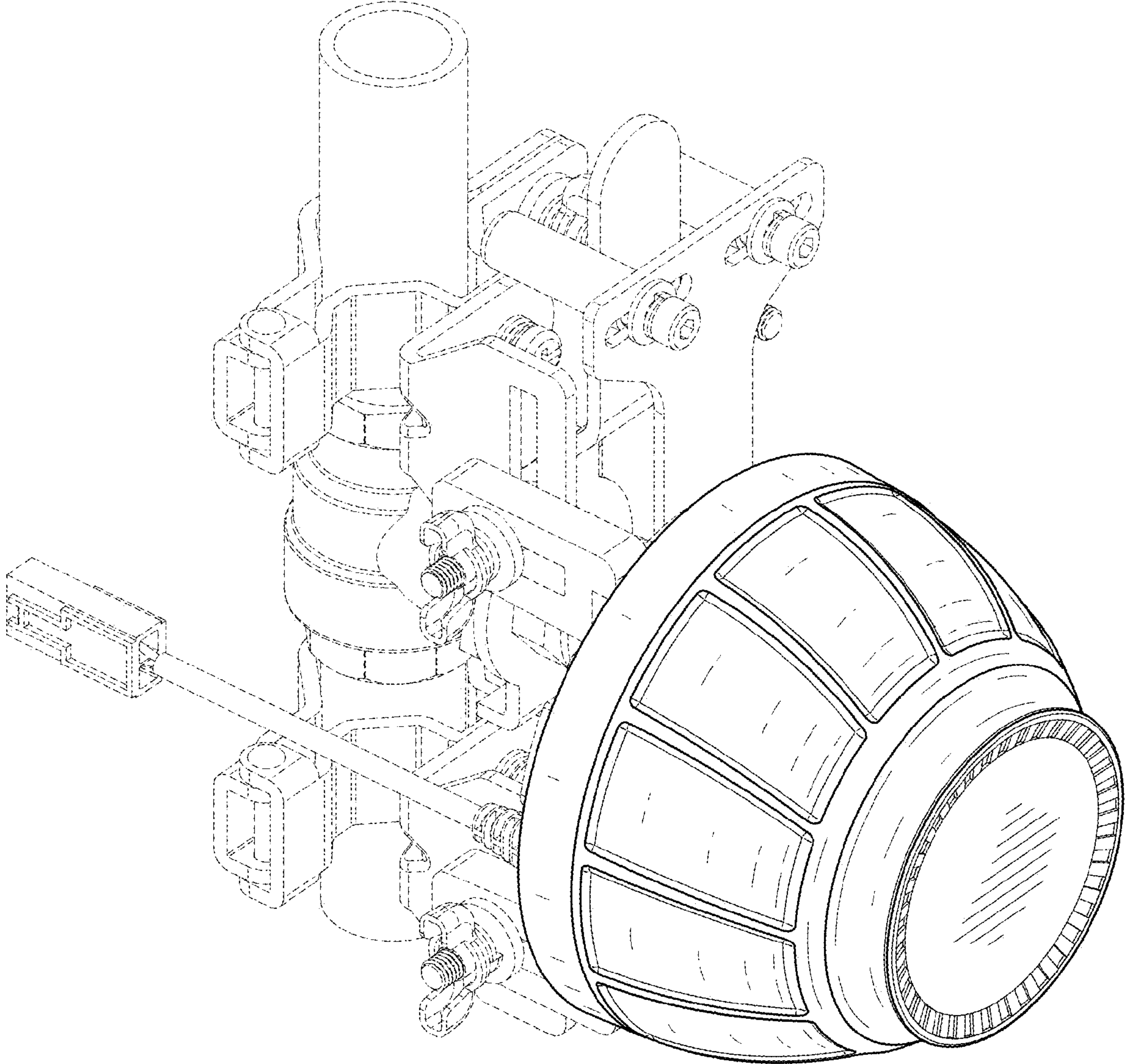


FIG. 1



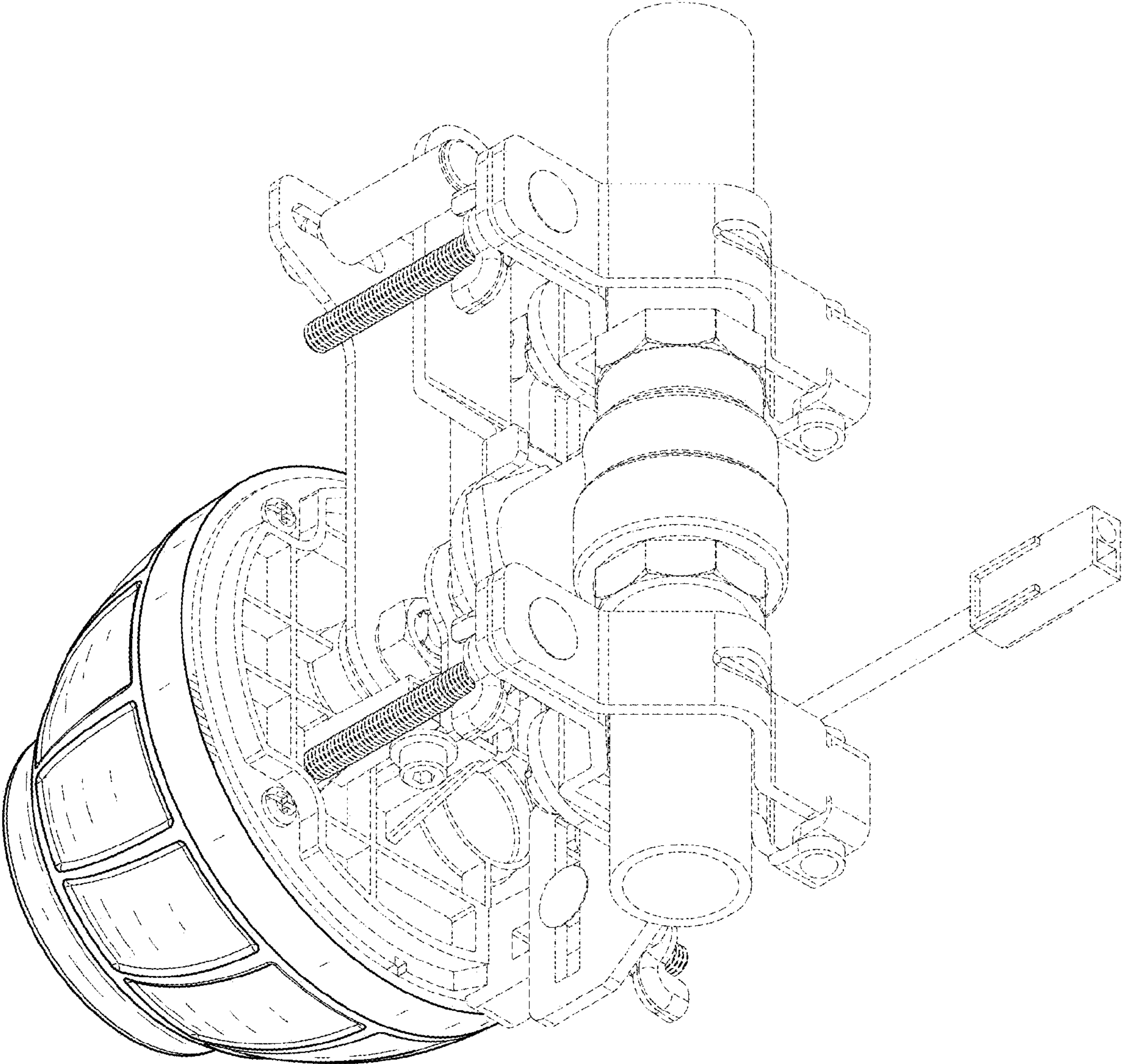


FIG. 2

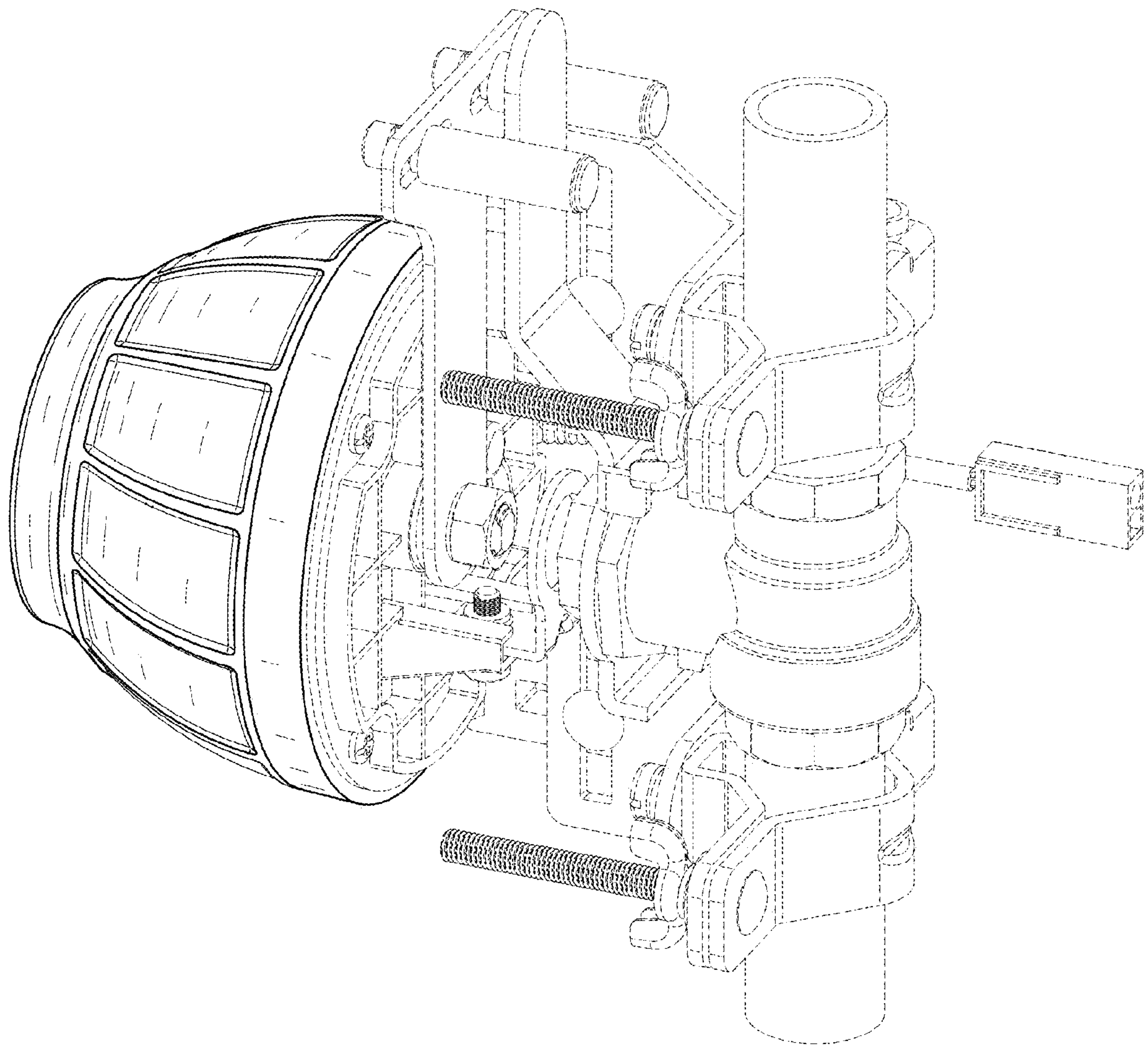


FIG. 3

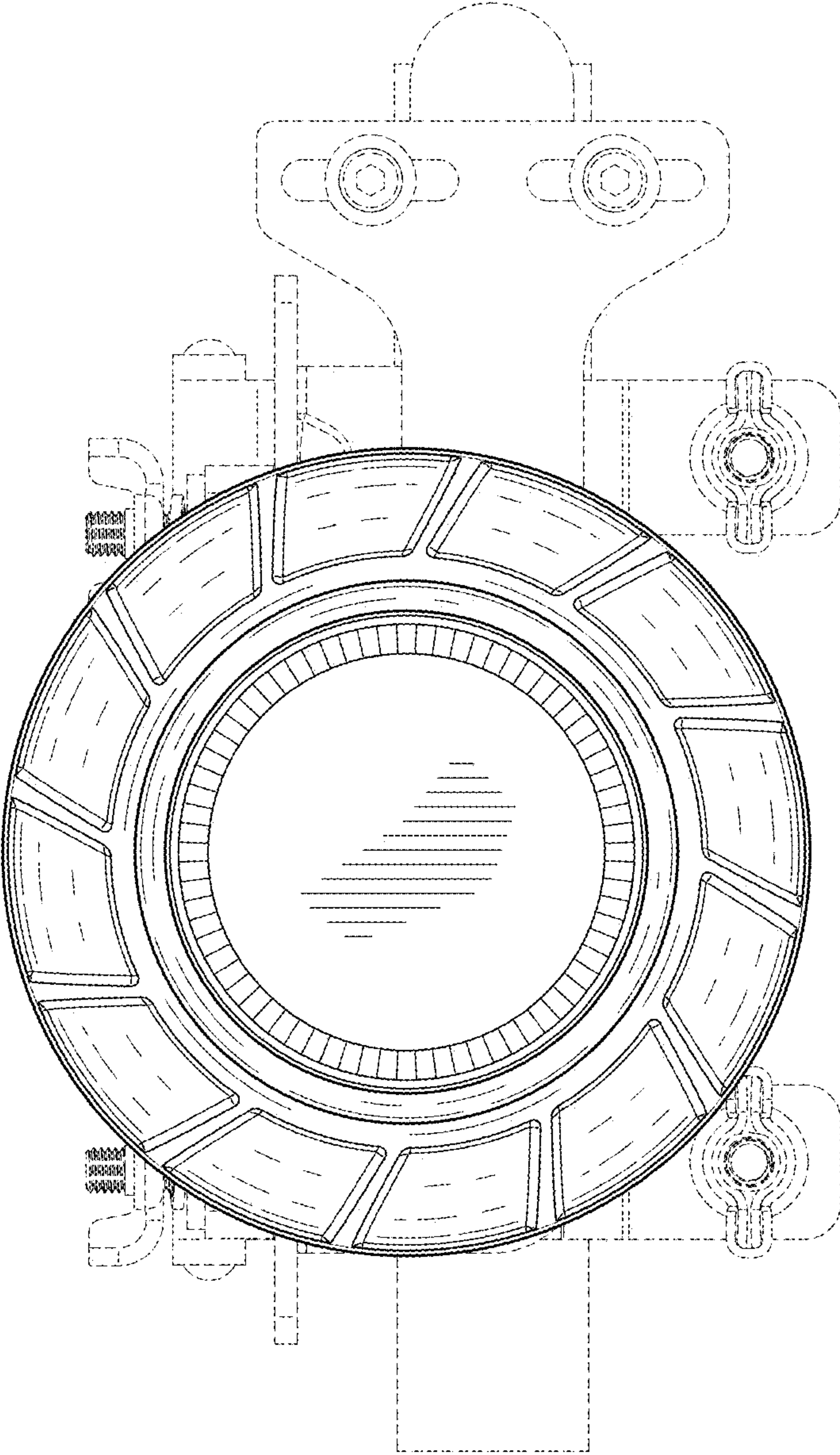


FIG. 4

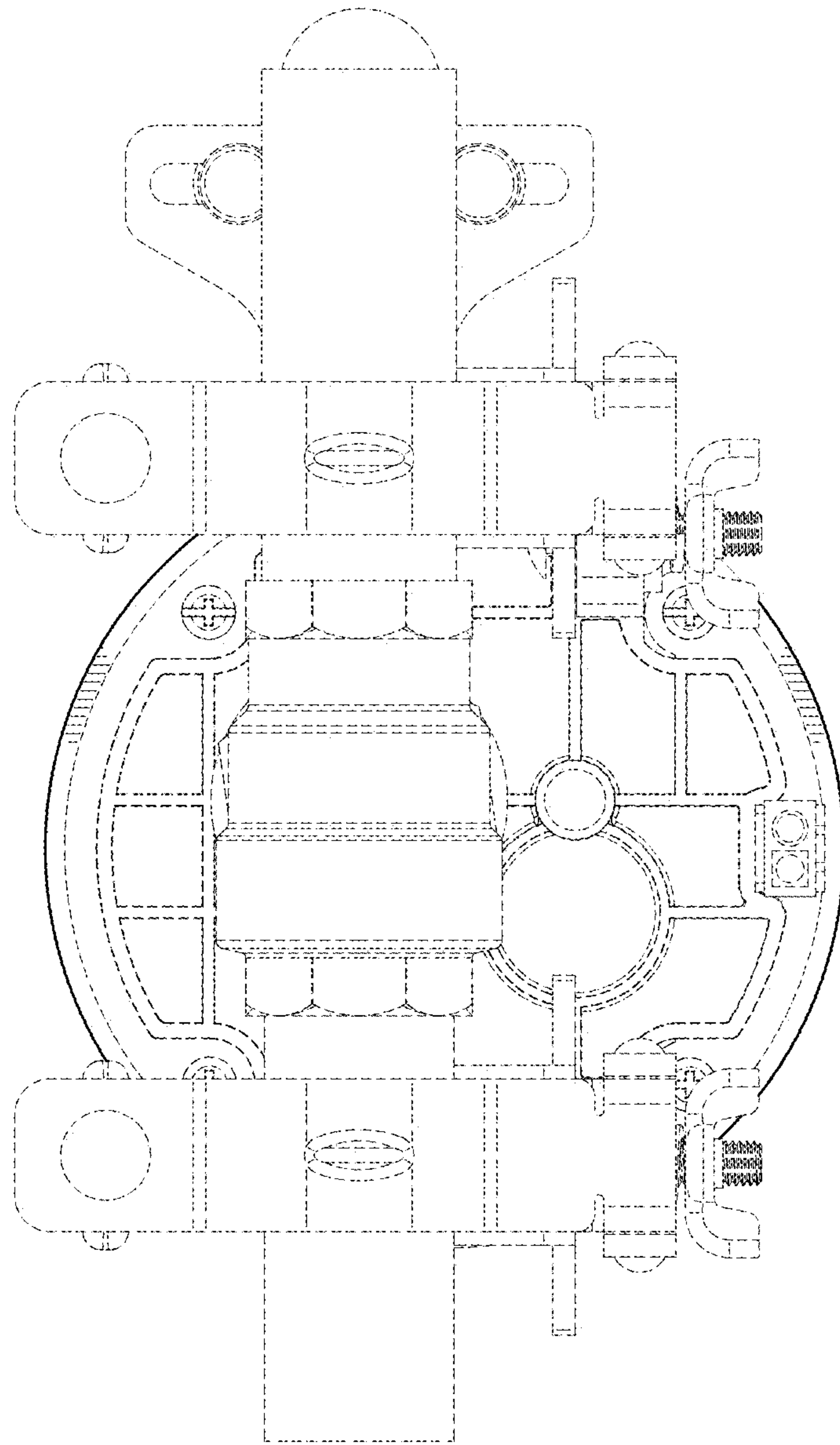


FIG. 5



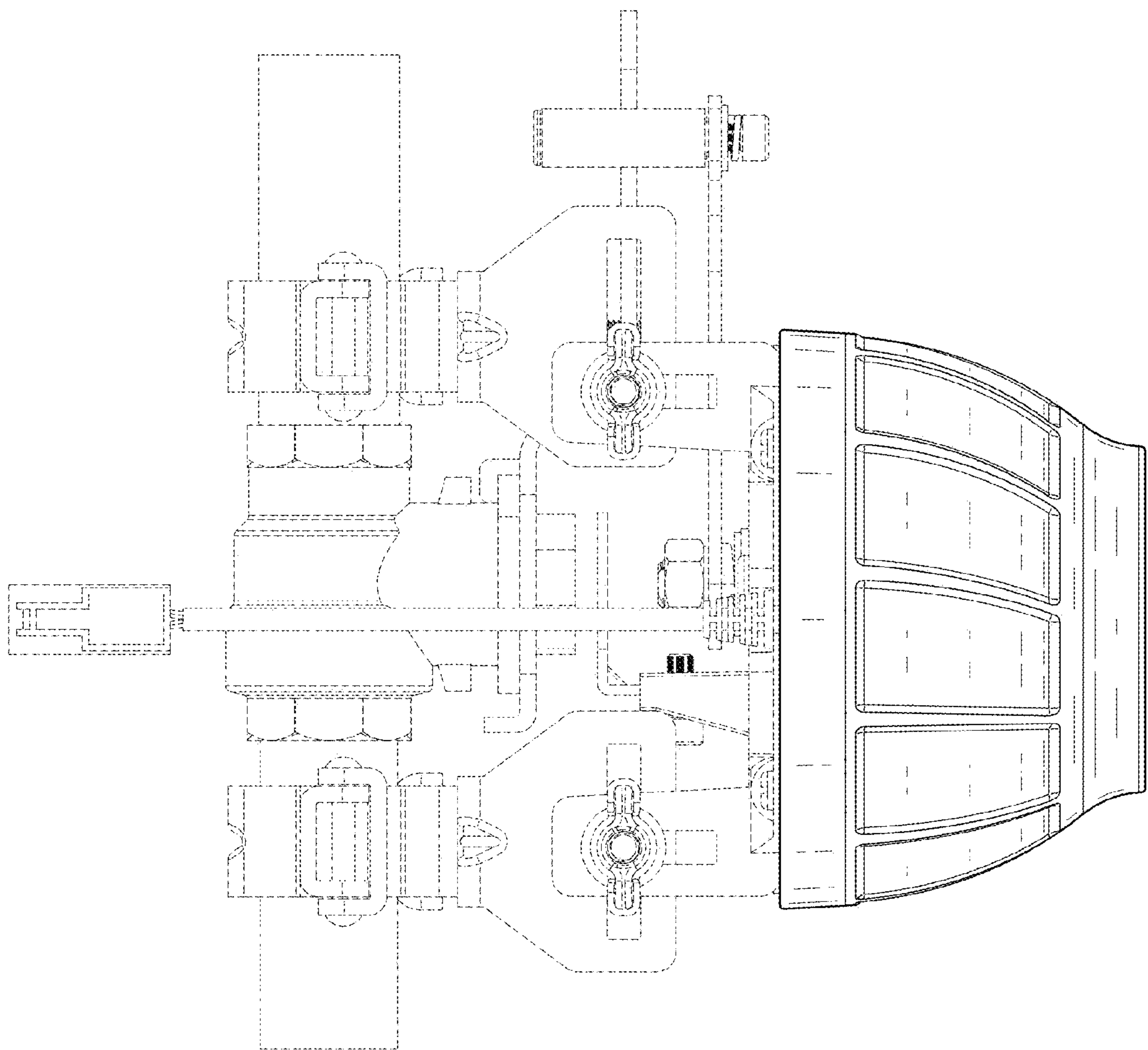


FIG. 6



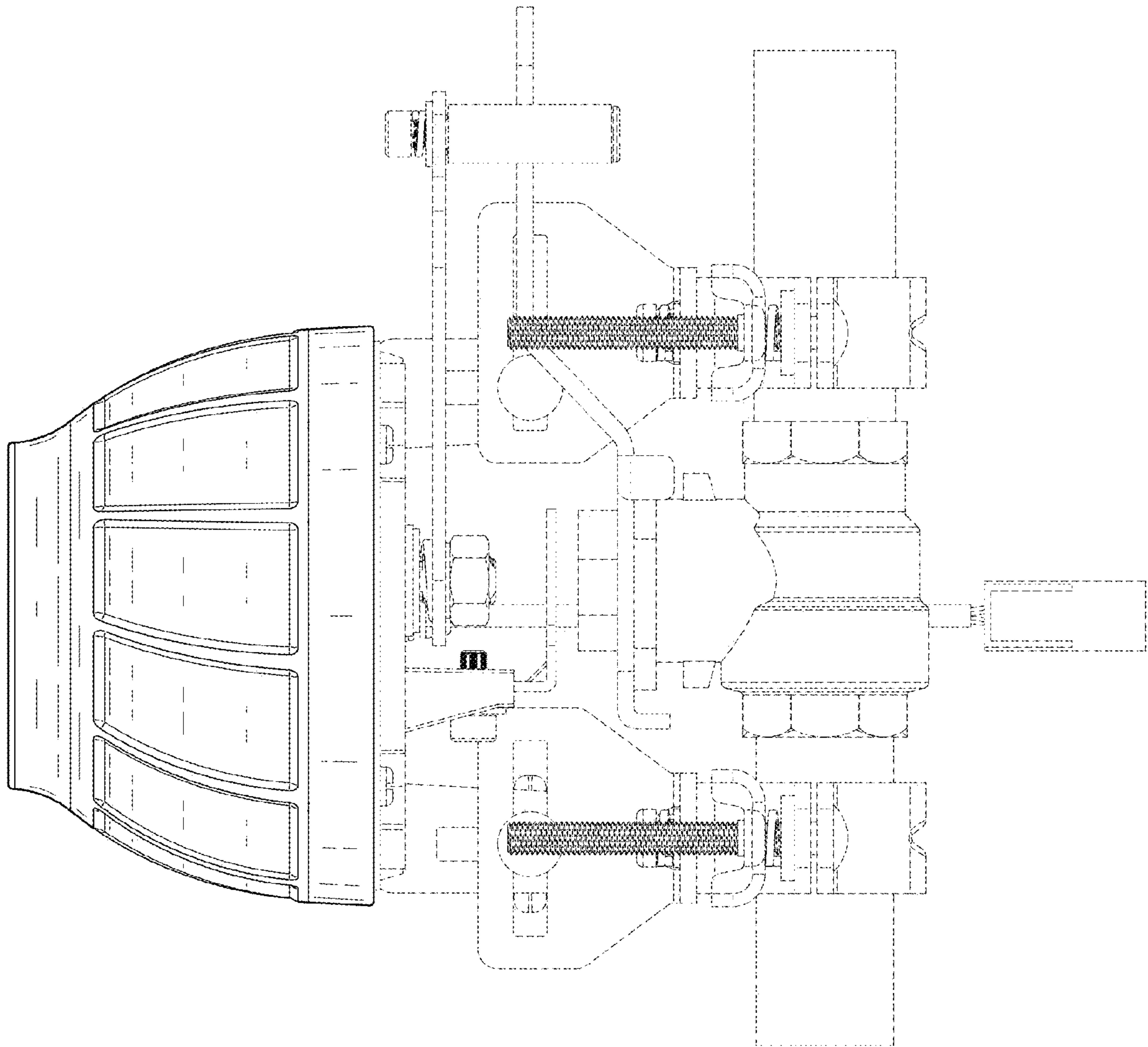


FIG. 7

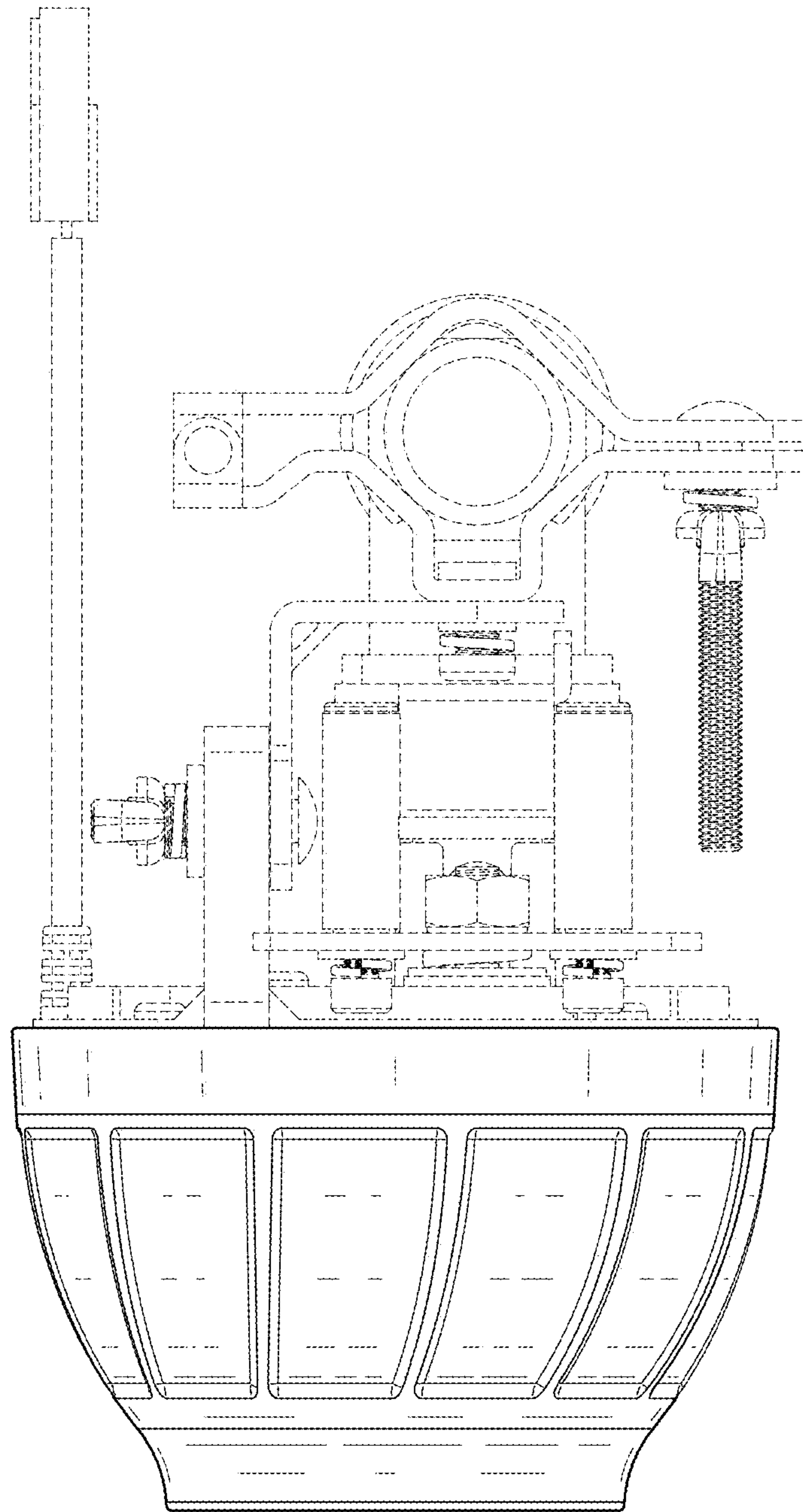


FIG. 8

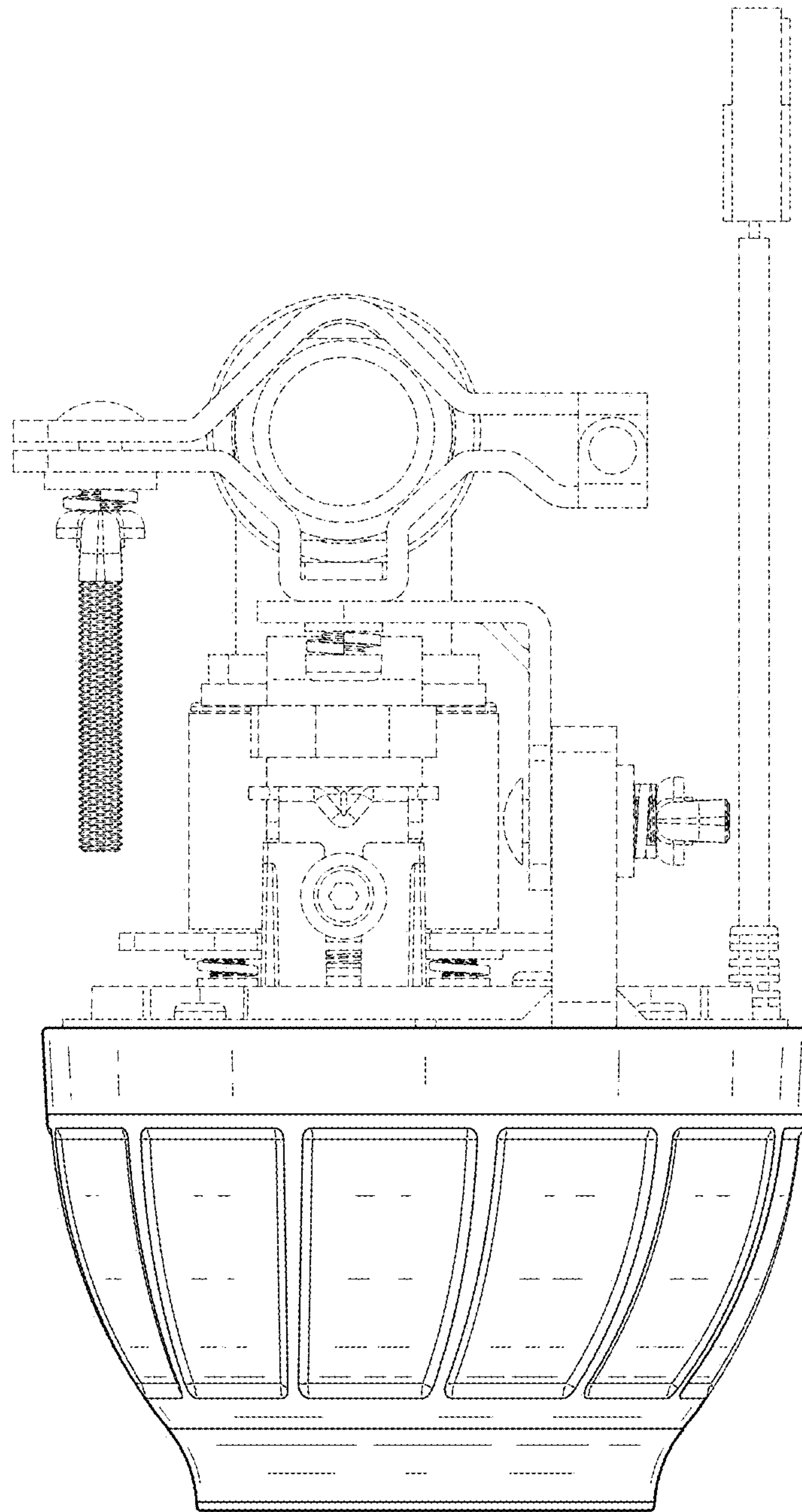


FIG. 9